



US00D830531S

(12) **United States Design Patent**
Ediger et al.

(10) **Patent No.:** **US D830,531 S**

(45) **Date of Patent:** **** Oct. 9, 2018**

- (54) **FAN**
- (71) Applicant: **Vornado Air LLC**, Andover, KS (US)
- (72) Inventors: **Glen W. Ediger**, North Newton, KS (US); **Brian Cartwright**, Wichita, KS (US); **Gregory Pease**, Andover, KS (US)
- (73) Assignee: **Vornado Air, LLC**, Andover, KS (US)
- (**) Term: **15 Years**
- (21) Appl. No.: **29/603,513**
- (22) Filed: **May 10, 2017**
- (51) **LOC (11) Cl.** **23-04**
- (52) **U.S. Cl.**
USPC **D23/382**
- (58) **Field of Classification Search**
USPC D23/370, 377, 378, 381, 382
CPC A44C 15/007; A61C 13/08; A61C 13/081;
A61C 13/082; A61C 13/0835; A61C
13/225; A61C 5/00; A61C 5/20; A61C
5/70; A61C 7/002
See application file for complete search history.

(56) **References Cited**

U.S. PATENT DOCUMENTS

D94,103 S	*	12/1934	Weber	D23/382
2,287,822 A	*	6/1942	Odor	F04D 29/4213
					415/185
2,330,907 A	*	10/1943	Dodge	B64C 11/001
					415/185
2,363,907 A	*	11/1944	Spear	F04D 29/646
					417/361
2,451,970 A	*	10/1948	Odor	F04D 29/646
					248/603
D154,703 S	*	8/1949	Phillips	416/244 R

D352,775 S	*	11/1994	Radtke, Jr.	D23/378
D386,565 S	*	11/1997	Jane	D23/378
D391,357 S	*	2/1998	Chi	D23/381
D398,983 S	*	9/1998	Keller	D23/381
D414,256 S	*	9/1999	Thomas, Jr.	D23/332
D466,604 S	*	12/2002	Harris	D23/382
D487,146 S	*	2/2004	Thomas, Jr.	D23/382
D537,516 S	*	2/2007	Ediger	D23/382
D569,961 S	*	5/2008	Wong	D23/382
D599,463 S	*	9/2009	Israel	D23/382
D630,723 S	*	1/2011	Ediger	D23/411
D688,366 S	*	8/2013	Ediger	D23/382
D688,367 S	*	8/2013	Ediger	D23/382
D688,368 S	*	8/2013	Ediger	D23/382
D737,949 S	*	9/2015	He	D23/382
D799,674 S	*	10/2017	Wong	D23/382
D799,675 S	*	10/2017	Wong	D23/382

* cited by examiner

Primary Examiner — Janice Hallmark

(74) *Attorney, Agent, or Firm* — Milligan PC LLO

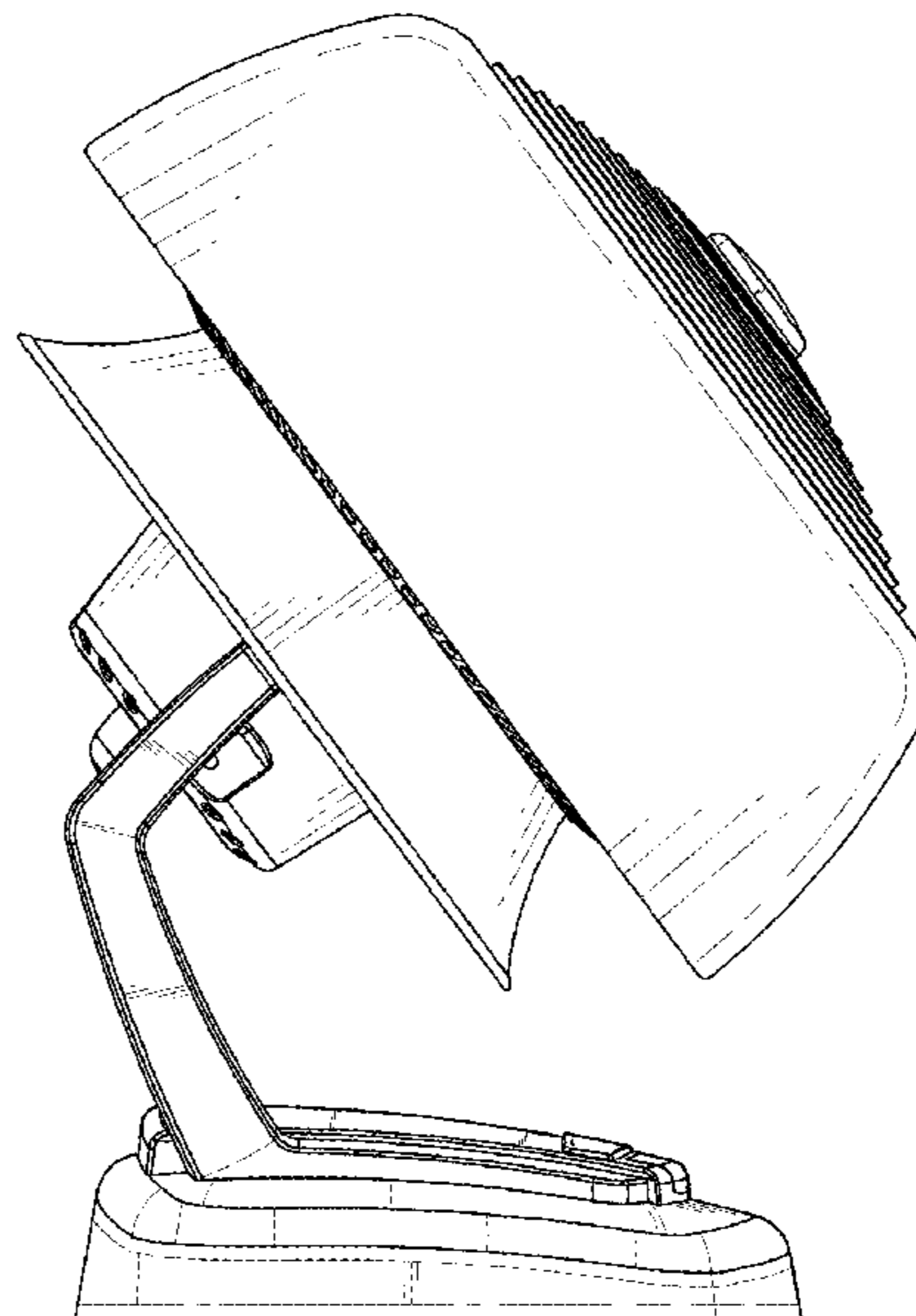
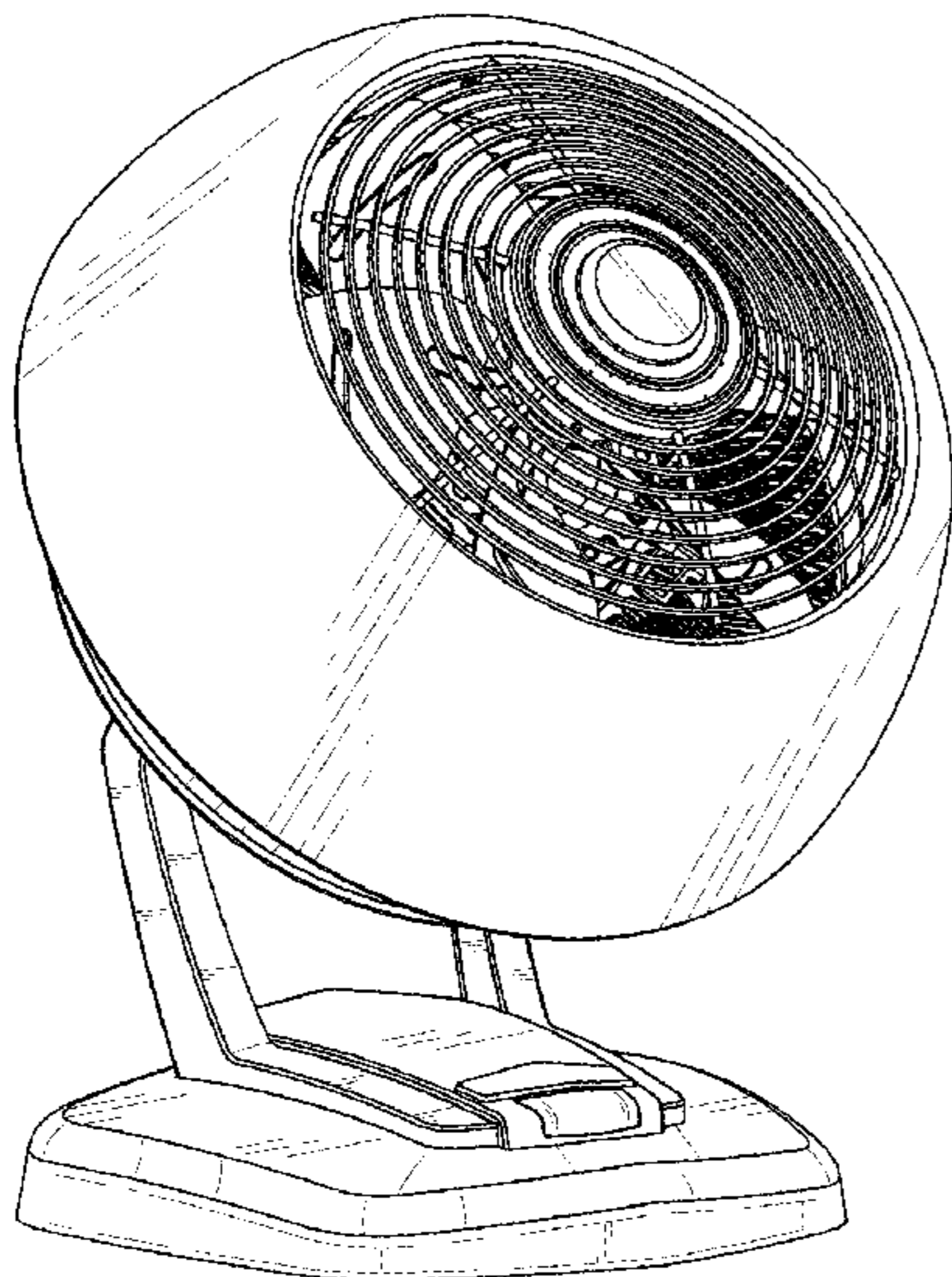
(57) **CLAIM**

The ornamental design for a fan, as shown and described.

DESCRIPTION

FIG. 1 is a left front perspective view of a fan in accordance with the present invention;
 FIG. 2 is a front elevation view thereof;
 FIG. 3 is a back elevation view thereof;
 FIG. 4 is a top plan view thereof;
 FIG. 5 is a bottom plan elevation view thereof;
 FIG. 6 is a left side elevation view thereof;
 FIG. 7 is a right side elevation view thereof;
 FIG. 8 is a left rear perspective view thereof; and,
 FIG. 9 is a right front perspective view thereof.

1 Claim, 9 Drawing Sheets



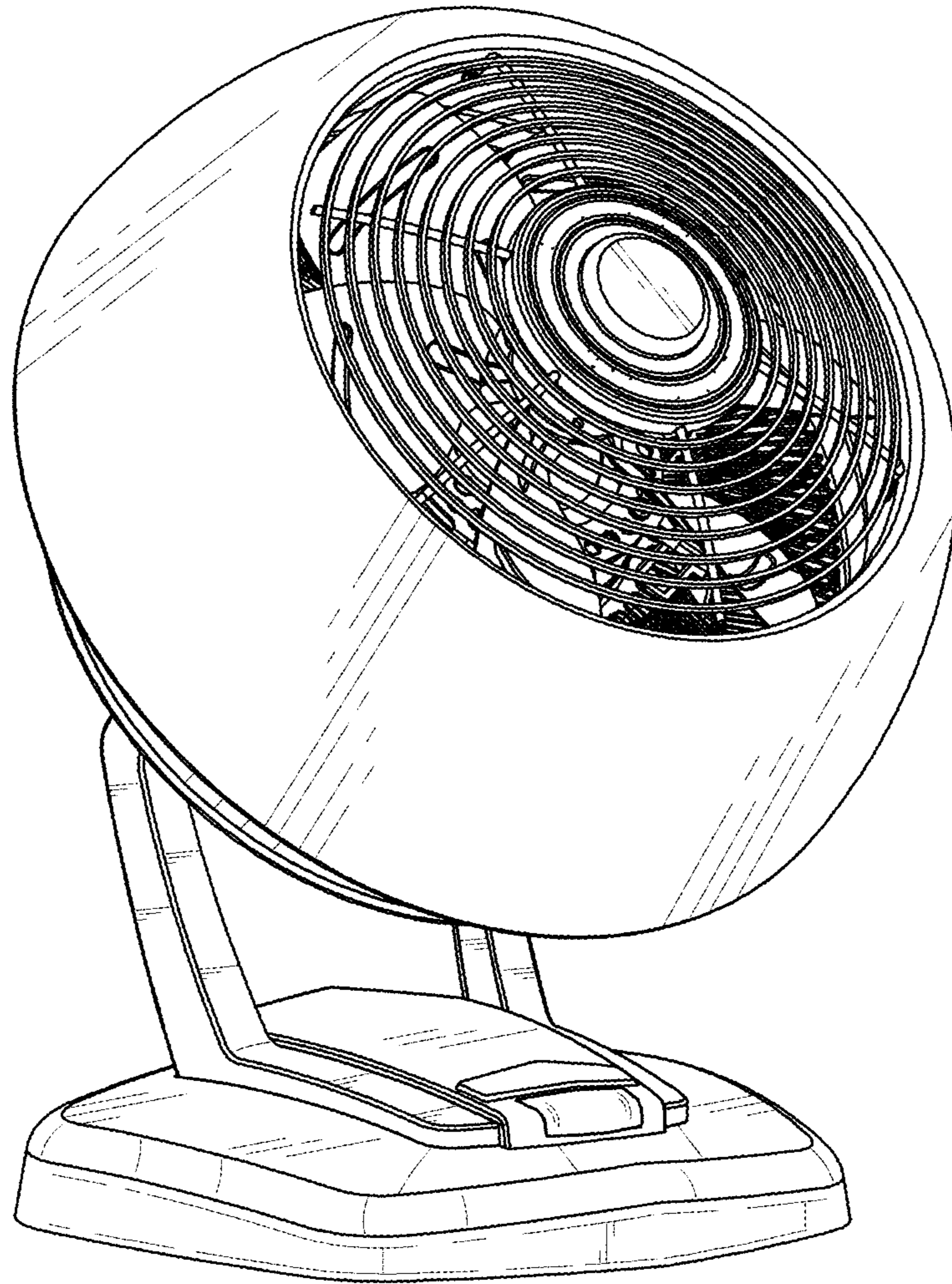


FIG. 1

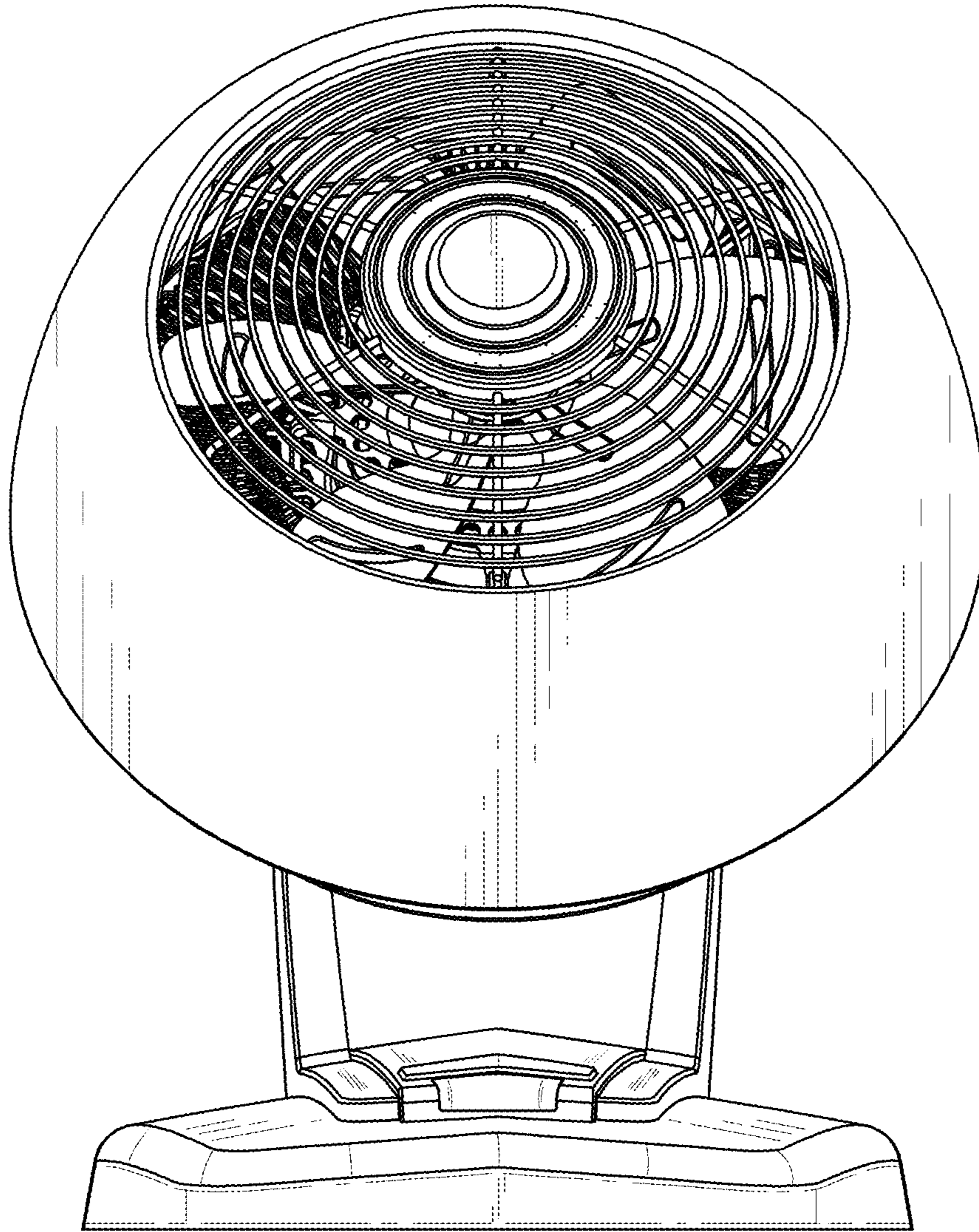


FIG. 2

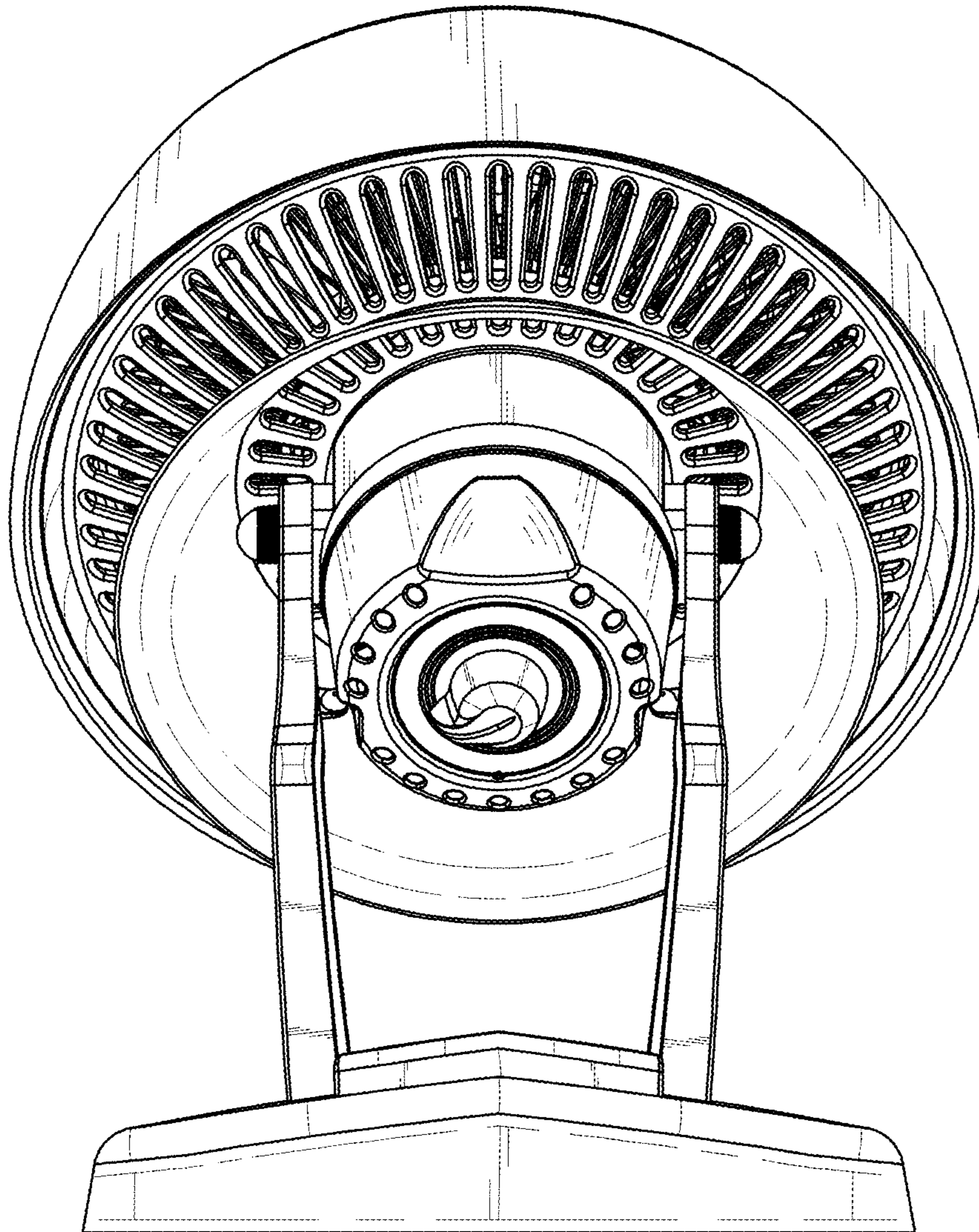


FIG. 3

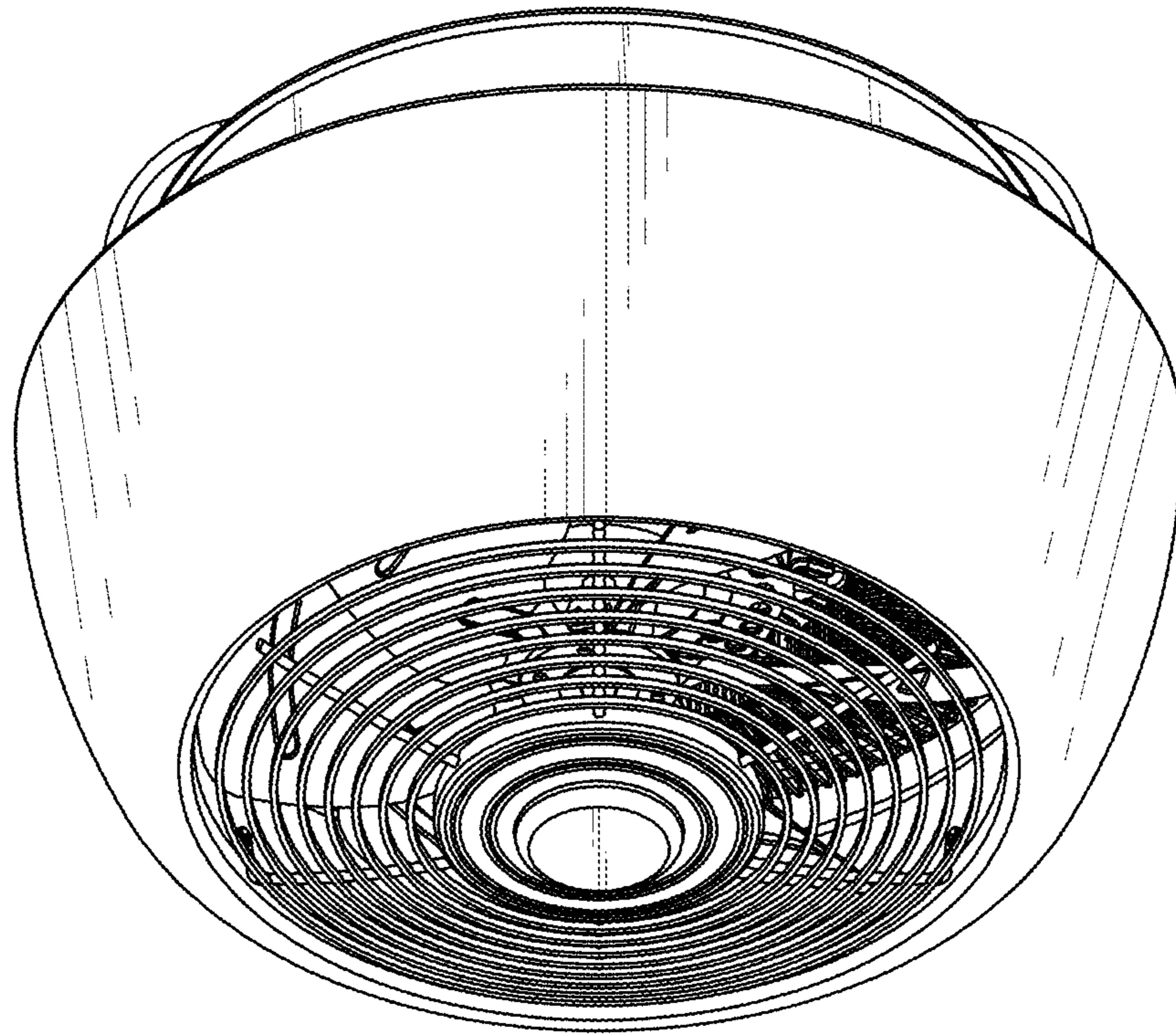


FIG. 4

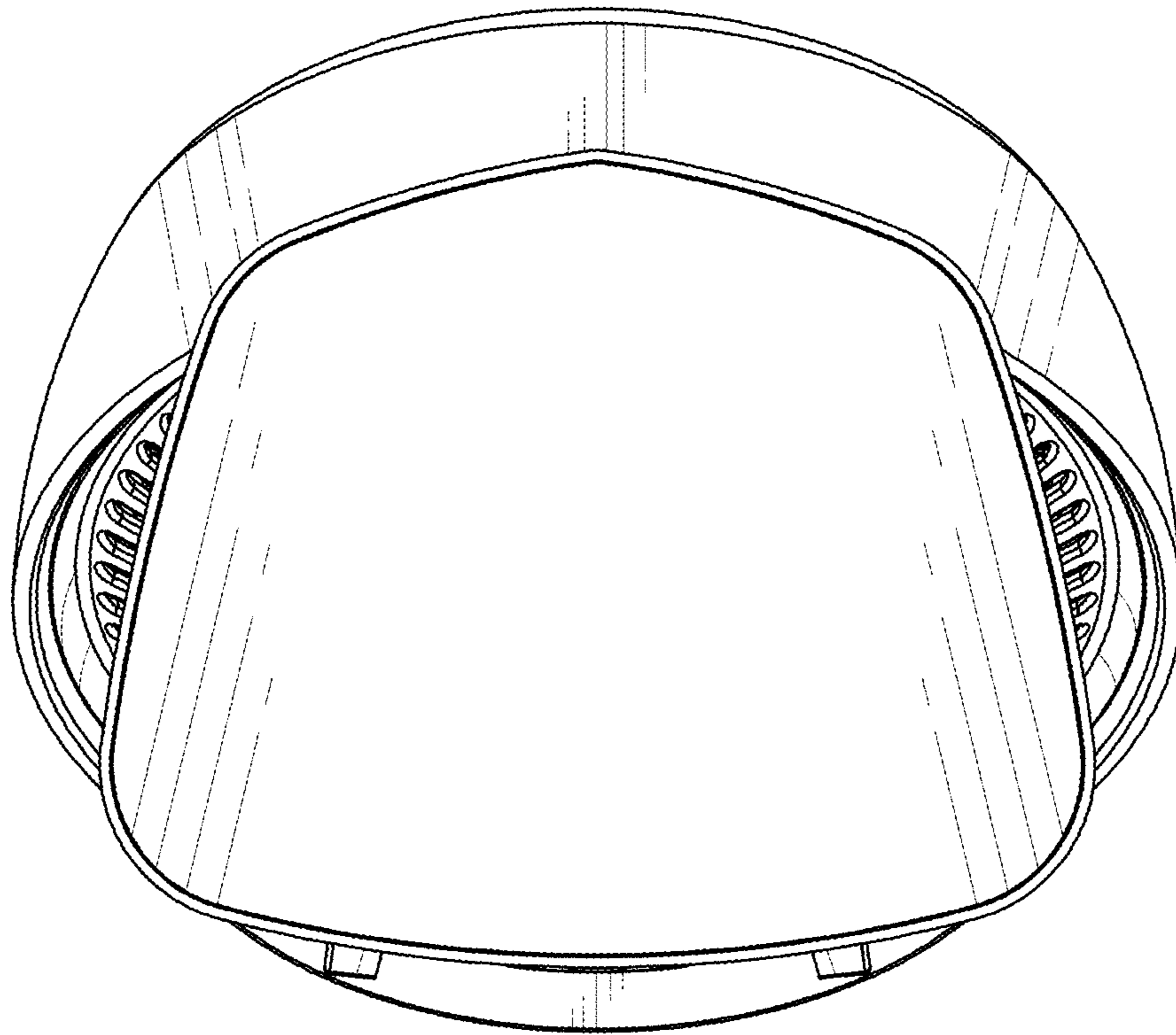


FIG. 5

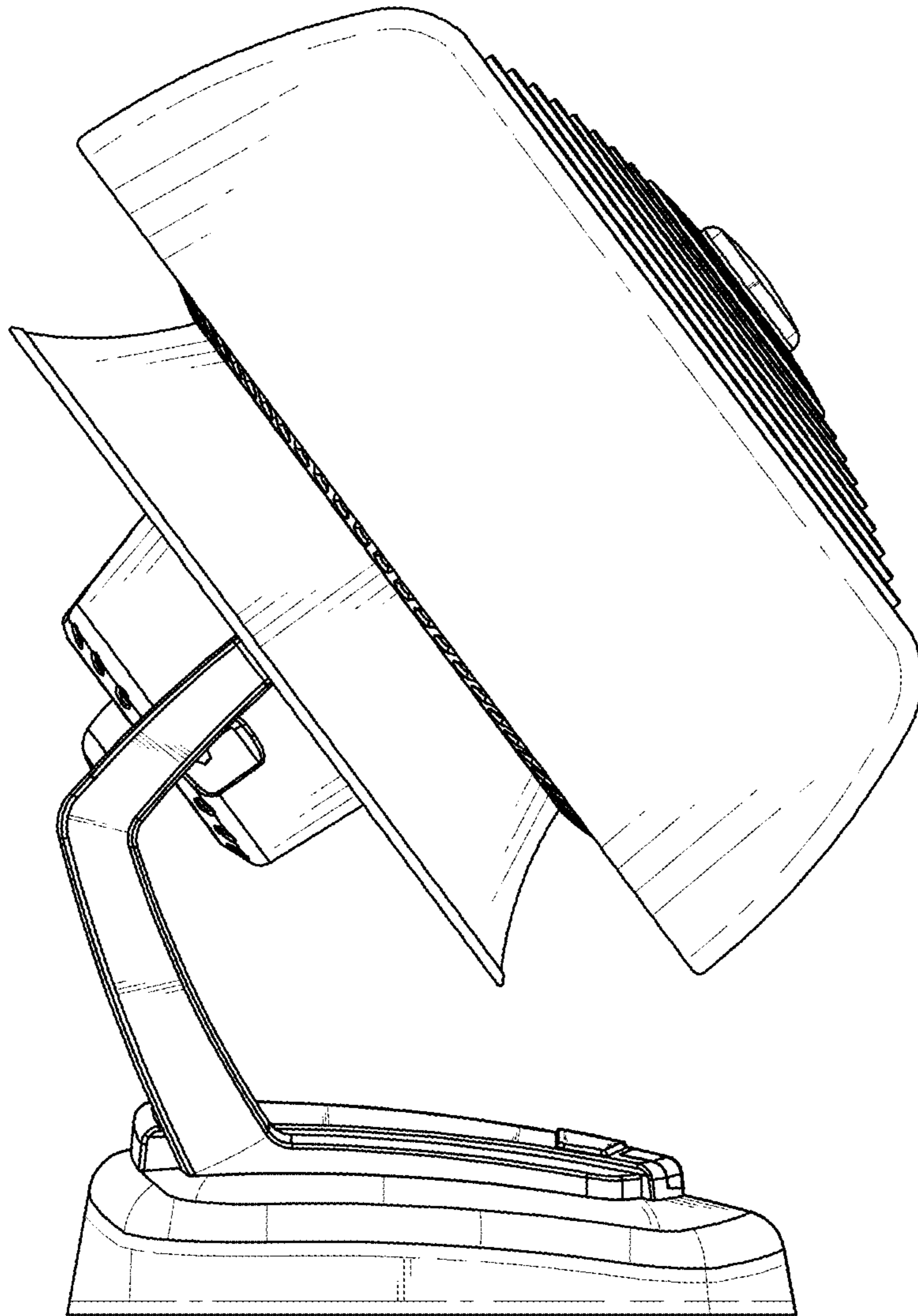


FIG. 6

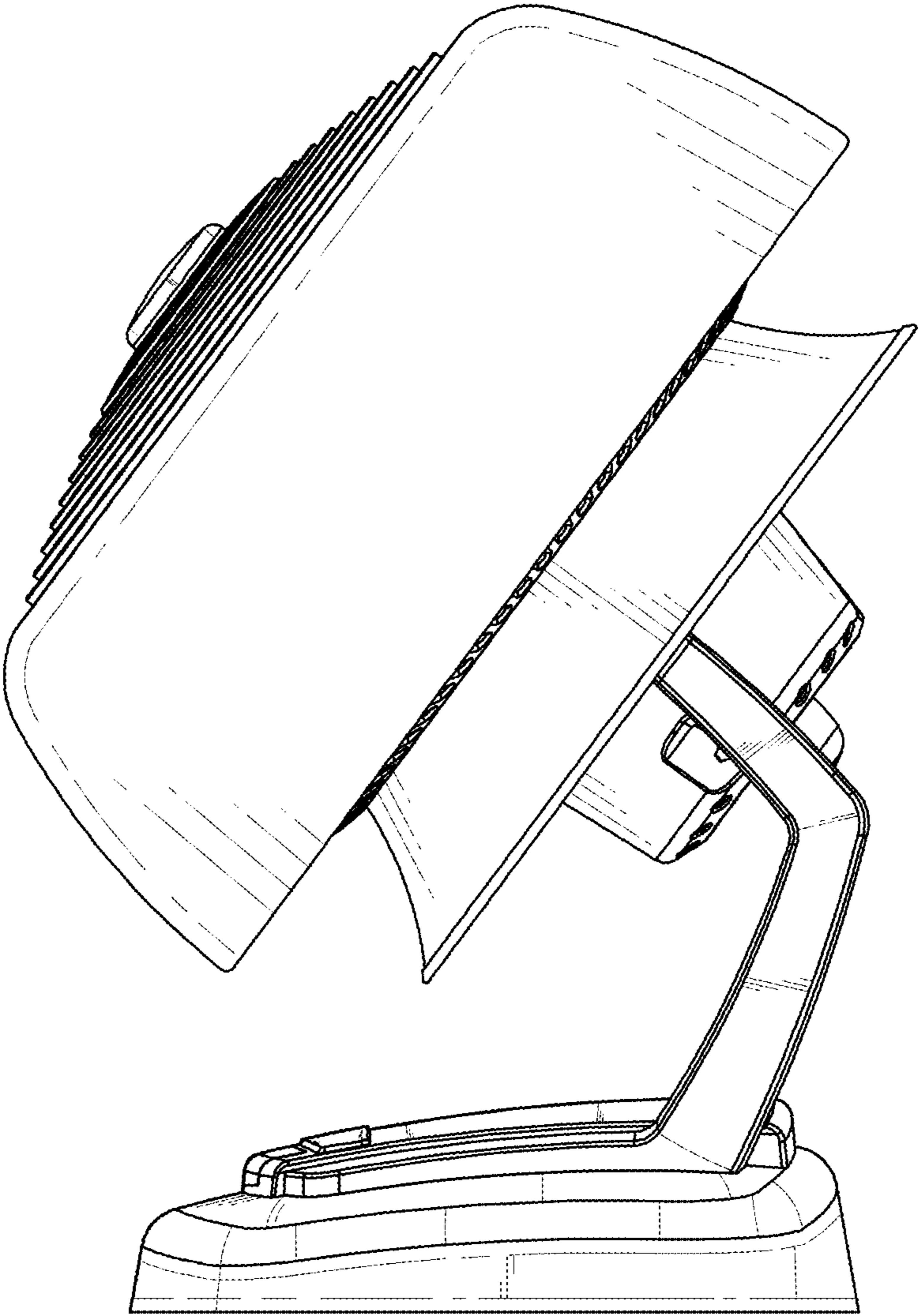


FIG. 7

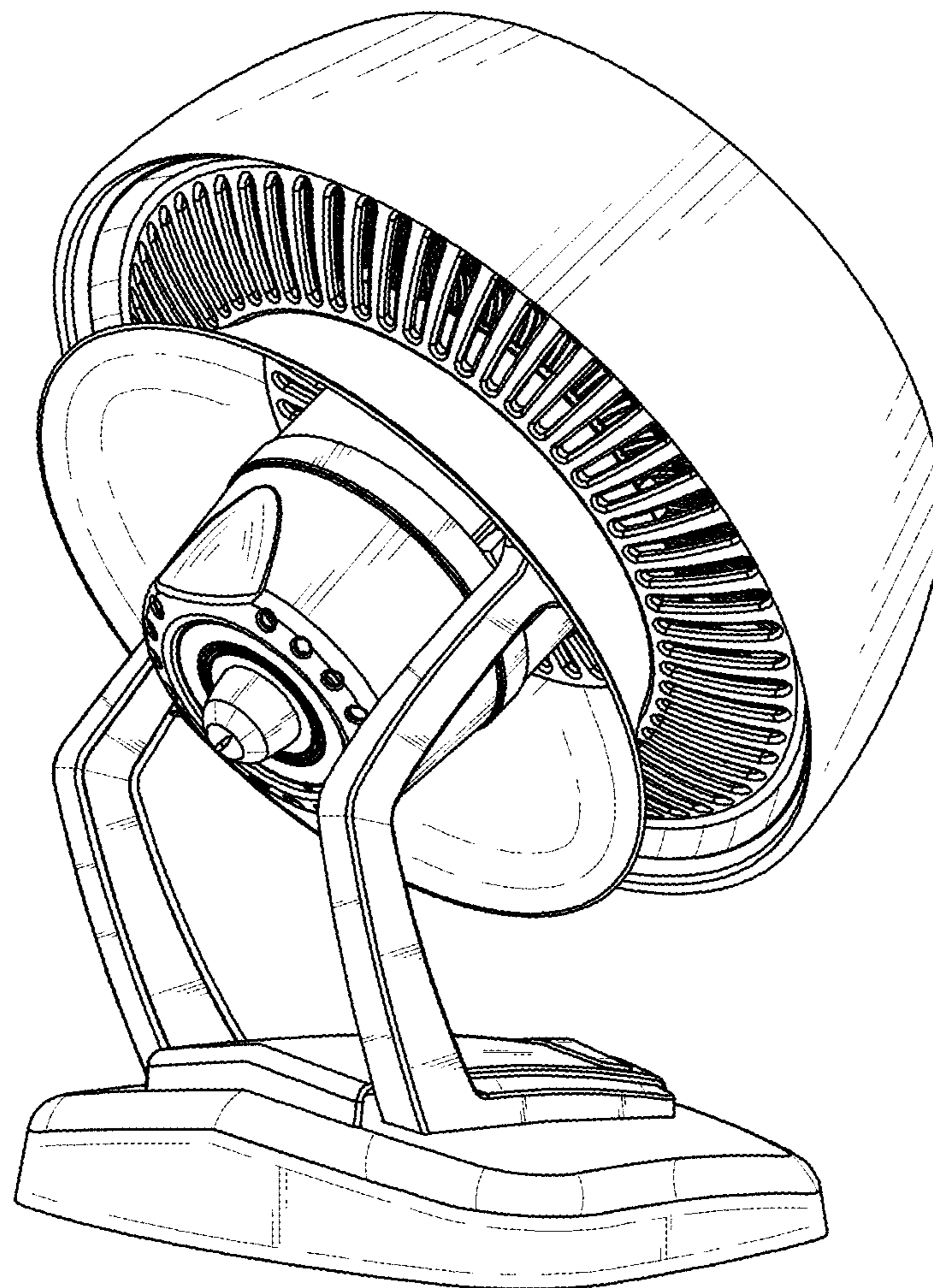


FIG. 8

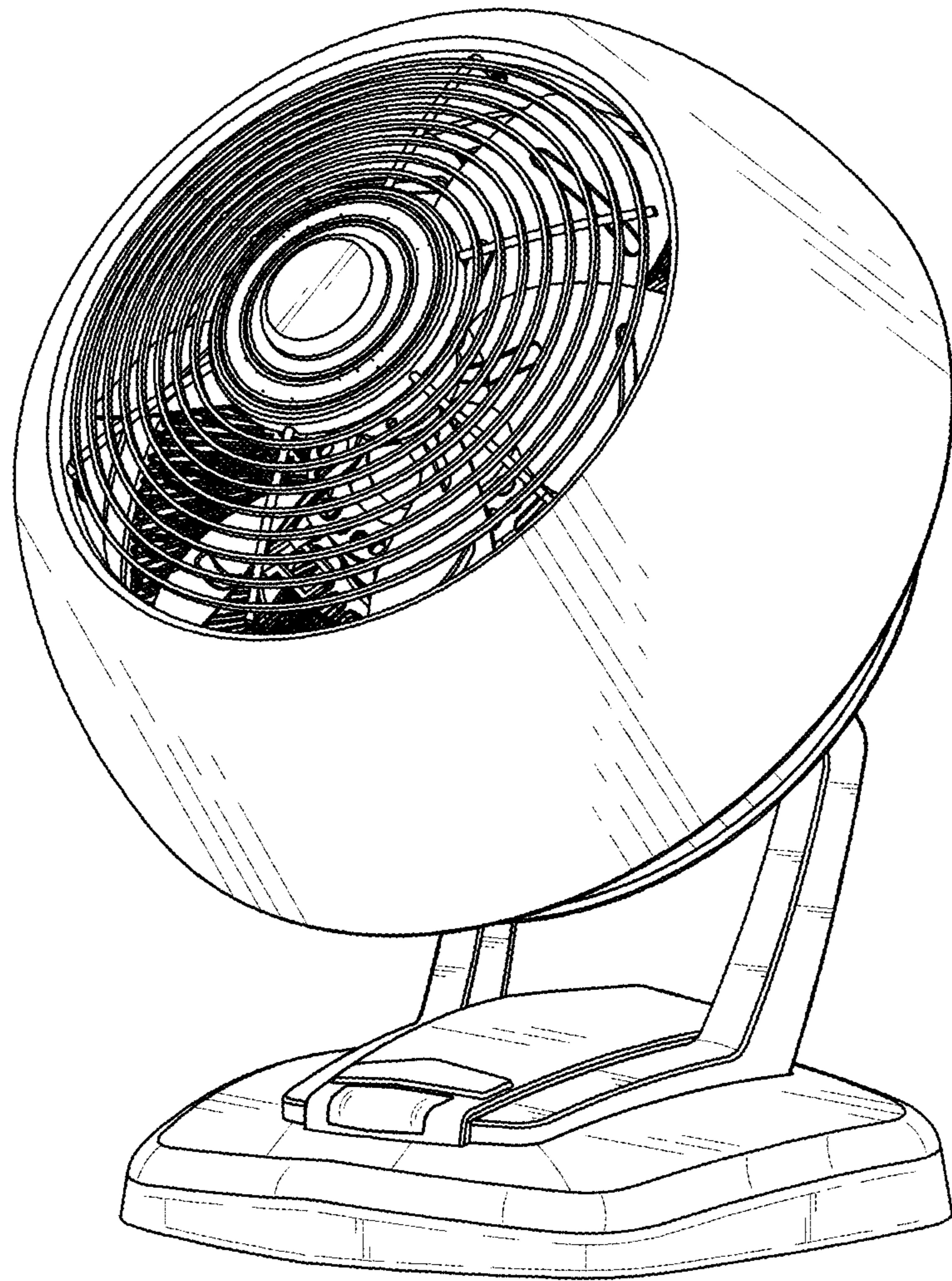


FIG. 9