



US00D830530S

(12) **United States Design Patent** (10) **Patent No.:** **US D830,530 S**
Webster et al. (45) **Date of Patent:** **** Oct. 9, 2018**

(54) **SCENT DISPENSER**
(71) Applicants: **William Webster**, Portland, ME (US);
Randy M. Oliver, Limerick, ME (US);
David Gallant, Newfield, ME (US)

D372,770 S * 8/1996 Foreman D23/366
5,610,674 A 3/1997 Martin
D387,734 S * 12/1997 Hawkins, Jr. D13/158
5,837,377 A 11/1998 Sheu et al.
5,880,216 A 3/1999 Tanihara et al.
5,898,475 A 4/1999 Martin

(Continued)

(72) Inventors: **William Webster**, Portland, ME (US);
Randy M. Oliver, Limerick, ME (US);
David Gallant, Newfield, ME (US)

FOREIGN PATENT DOCUMENTS

(73) Assignee: **NOVIA PRODUCTS, LLC**, Portland,
ME (US)

EP 0335669 6/1993
EP 0691113 7/2000

(**) Term: **15 Years**

OTHER PUBLICATIONS

(21) Appl. No.: **29/597,570**

Scentair, ScentPOP Scent Delivery System, Technical Specifi-
cations, <http://scentair.com.tr/downloads/ScentPOP_Technical_Specs.pdf>, Retrieved May 17, 2017.

(22) Filed: **Mar. 17, 2017**

(Continued)

(51) **LOC (11) Cl.** **23-04**

(52) **U.S. Cl.**
USPC **D23/366**

(58) **Field of Classification Search**
USPC D23/355-369, 393; D14/409; D8/300
CPC A61L 9/02; A61L 9/03; A61L 9/12; A61L
9/035; A61L 9/125
See application file for complete search history.

Primary Examiner — Sheryl Lane
Assistant Examiner — Calvin E Vansant
(74) *Attorney, Agent, or Firm* — Greenberg Traurig, LLP

(57) **CLAIM**

An ornamental design for a scent dispenser, as shown and described.

(56) **References Cited**

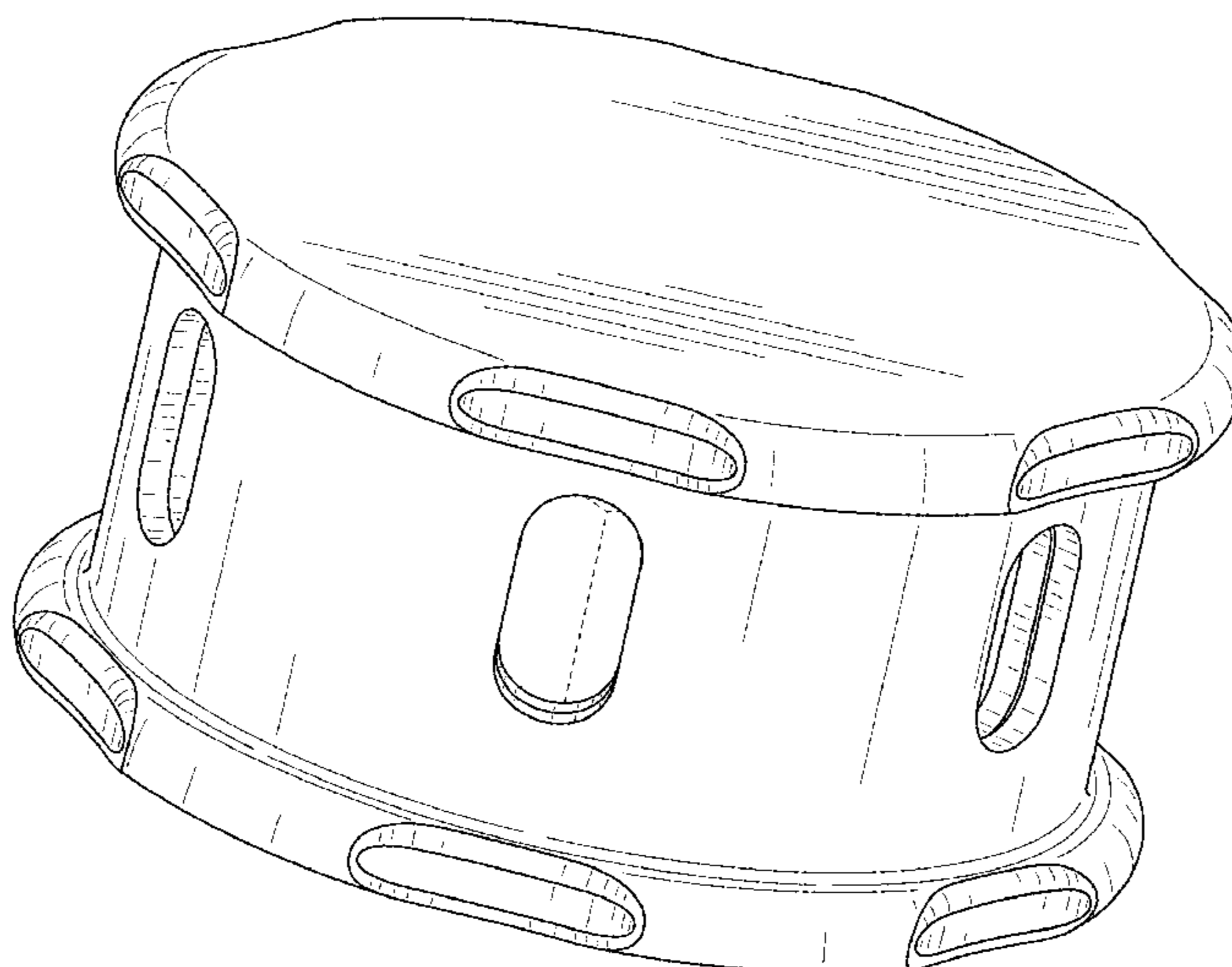
DESCRIPTION

U.S. PATENT DOCUMENTS

1,481,325 A 1/1924 Le Gris
1,924,823 A * 8/1933 Willi B65D 5/48026
206/782
2,234,062 A 3/1941 Roberts
2,763,395 A 9/1956 Meek
3,873,281 A 3/1975 Himes et al.
3,888,416 A 6/1975 Lin
D250,801 S * 1/1979 Bergen D6/661.3
4,137,200 A 1/1979 Wood et al.
4,200,229 A 4/1980 Spector
4,957,810 A 9/1990 Eleouet et al.
5,064,653 A 11/1991 Sessions et al.
D351,650 S * 10/1994 Vavra D23/365

FIG. 1 is a front perspective view of a scent dispenser showing our new design;
FIG. 2 is a top plan view thereof, the bottom plan view being the same;
FIG. 3 is a front elevational view thereof, the back elevational view being the same; and,
FIG. 4 is a left elevational view thereof, the right elevational view being the same.
The broken lines depicted in FIGS. 1 and 3 represent portions of the scent dispenser that form no part of the claimed design.

1 Claim, 4 Drawing Sheets



(56)

References Cited

U.S. PATENT DOCUMENTS

5,973,221 A 10/1999 Collyer et al.
 D422,481 S * 4/2000 Bertani D8/310
 6,277,401 B1 8/2001 Bello et al.
 6,617,014 B1 9/2003 Thomson
 D493,875 S * 8/2004 Groene D23/366
 6,991,848 B2 1/2006 Thomson
 7,048,966 B2 5/2006 Thomson
 D550,840 S * 9/2007 Anderson D24/129
 D568,715 S * 5/2008 Gustafson D6/307
 D575,711 S * 8/2008 Johannsen D12/192
 D676,551 S * 2/2013 Desai D24/129
 8,544,766 B2 10/2013 Webster et al.
 D710,699 S * 8/2014 Phelps D9/452
 D791,426 S * 7/2017 Petersen D1/127
 D794,765 S * 8/2017 Brandenburg D23/366
 2002/0018884 A1 2/2002 Thomson
 2002/0113909 A1 8/2002 Sherwood
 2006/0216492 A1 9/2006 Thomson
 2007/0187524 A1 8/2007 Sherwood
 2007/0224232 A1 9/2007 Sherwood
 2013/0206861 A1 8/2013 Webster et al.

OTHER PUBLICATIONS

Scentair, Scentwave Scent Delivery System, Technical Specifications, <http://scentair.com.au/Aroma-Marketing-Downloads/scentair_scentwave_techsspecs.pdf>, Retrieved May 17, 2017.

Scentair, SXD-5020 HVAC Wide Area Diffusion System Technical Specifications, <<http://scentair.com.sg/Aroma-Marketing-Downloads/ScentVac-Delivery-System-Specs.pdf>>, Retrieved May 17, 2017.

Commonly-owned U.S. Appl. No. 15/499,054, filed Apr. 27, 2017.

* cited by examiner

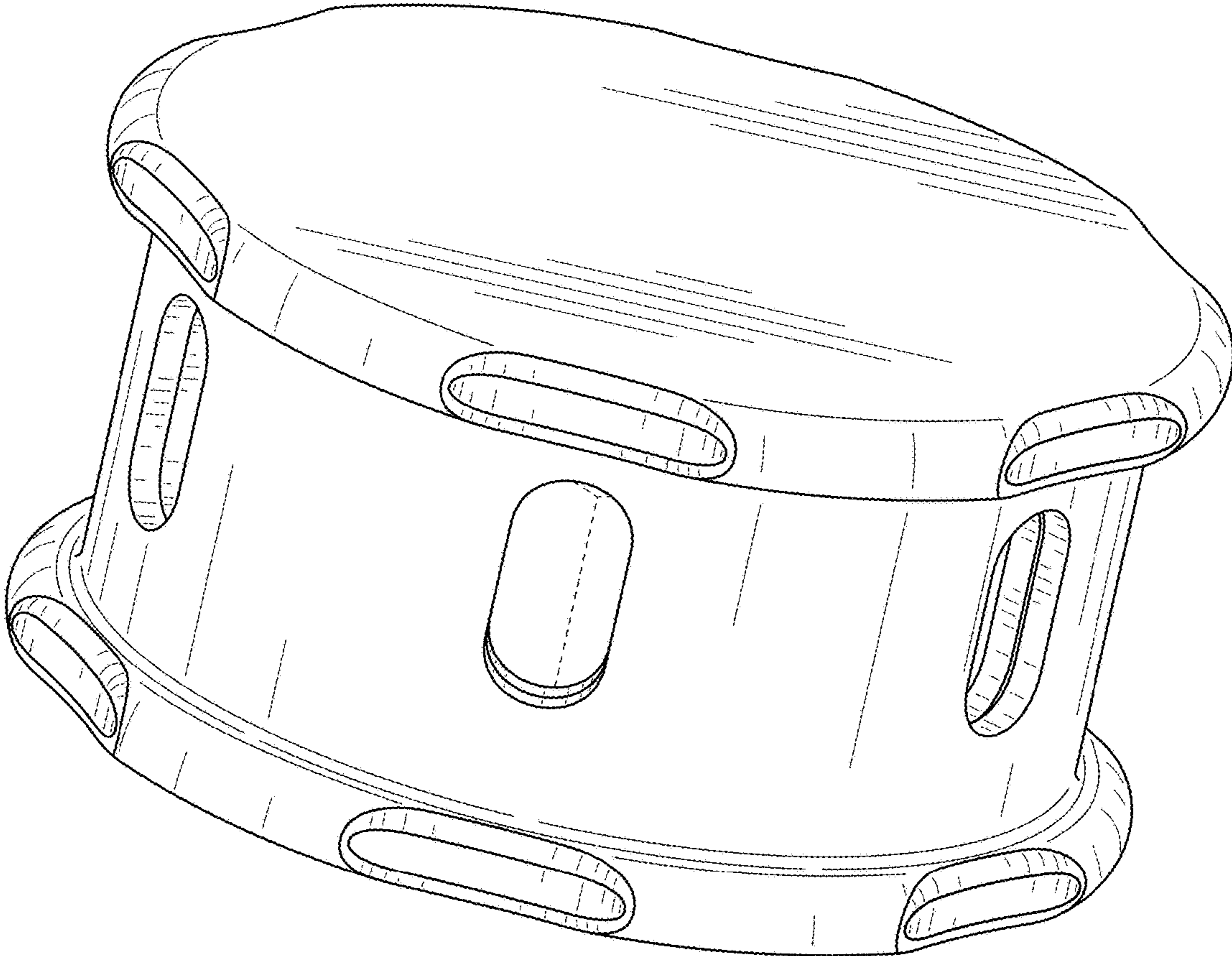


FIG. 1

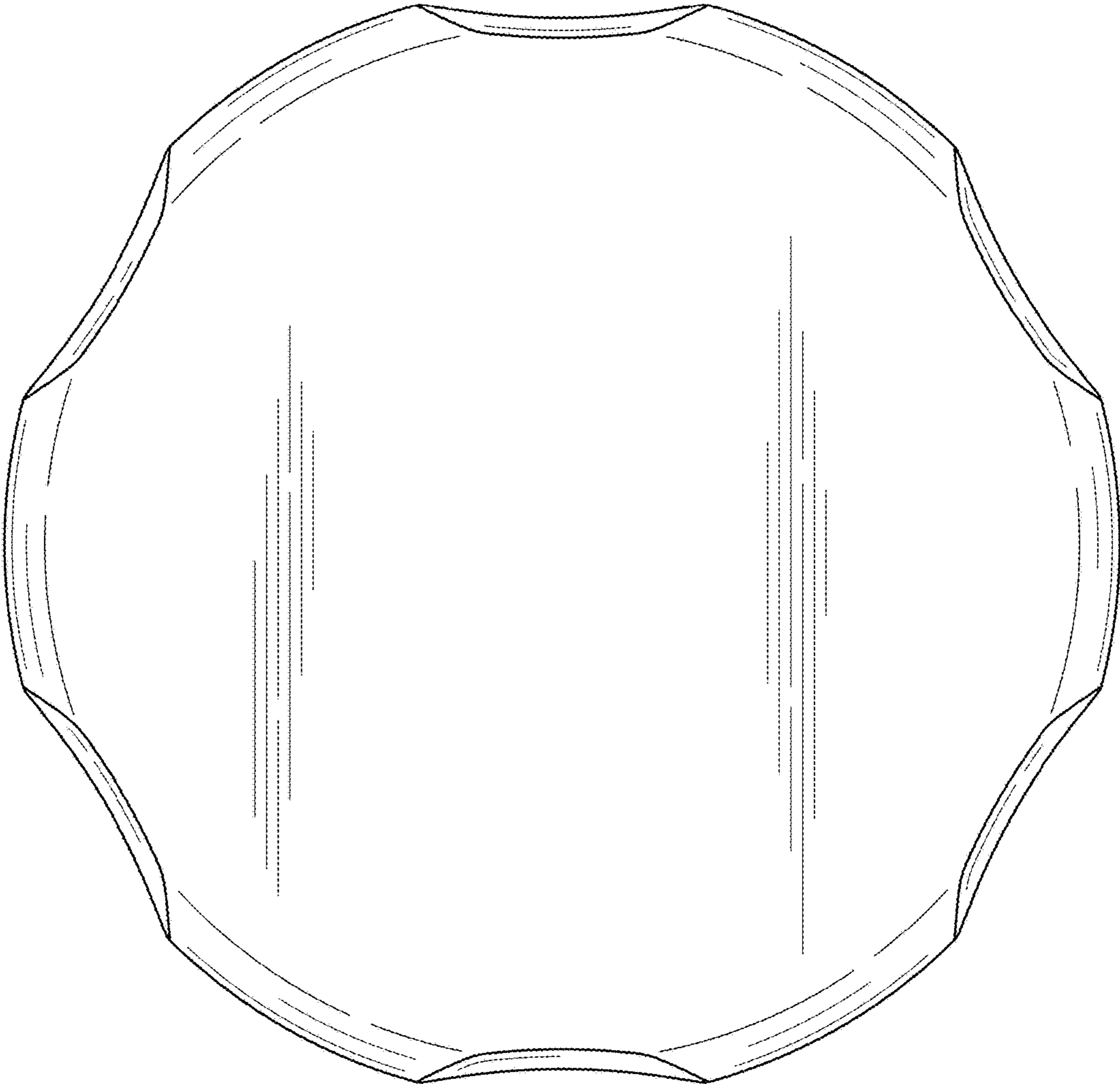


FIG. 2

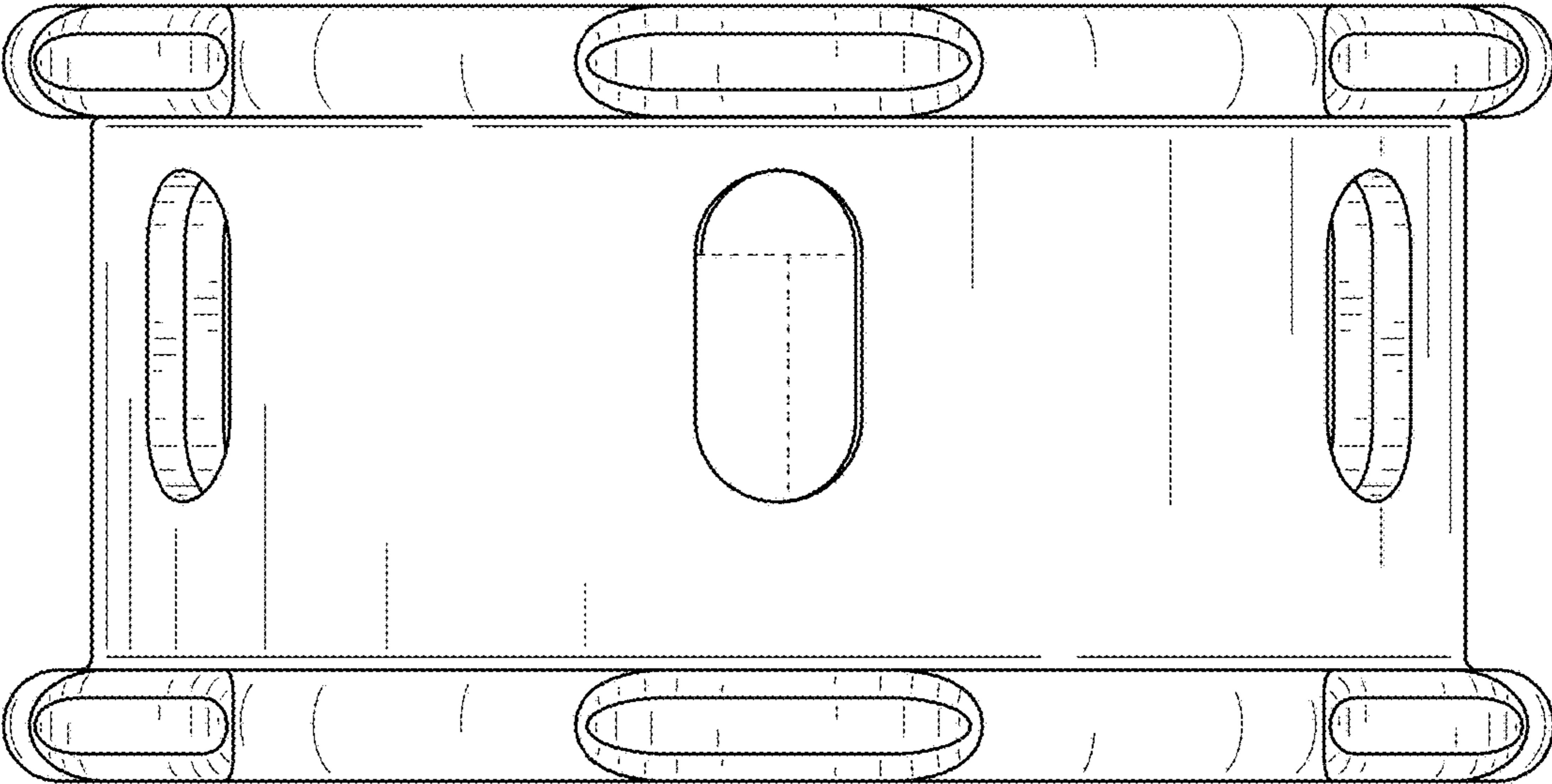


FIG. 3

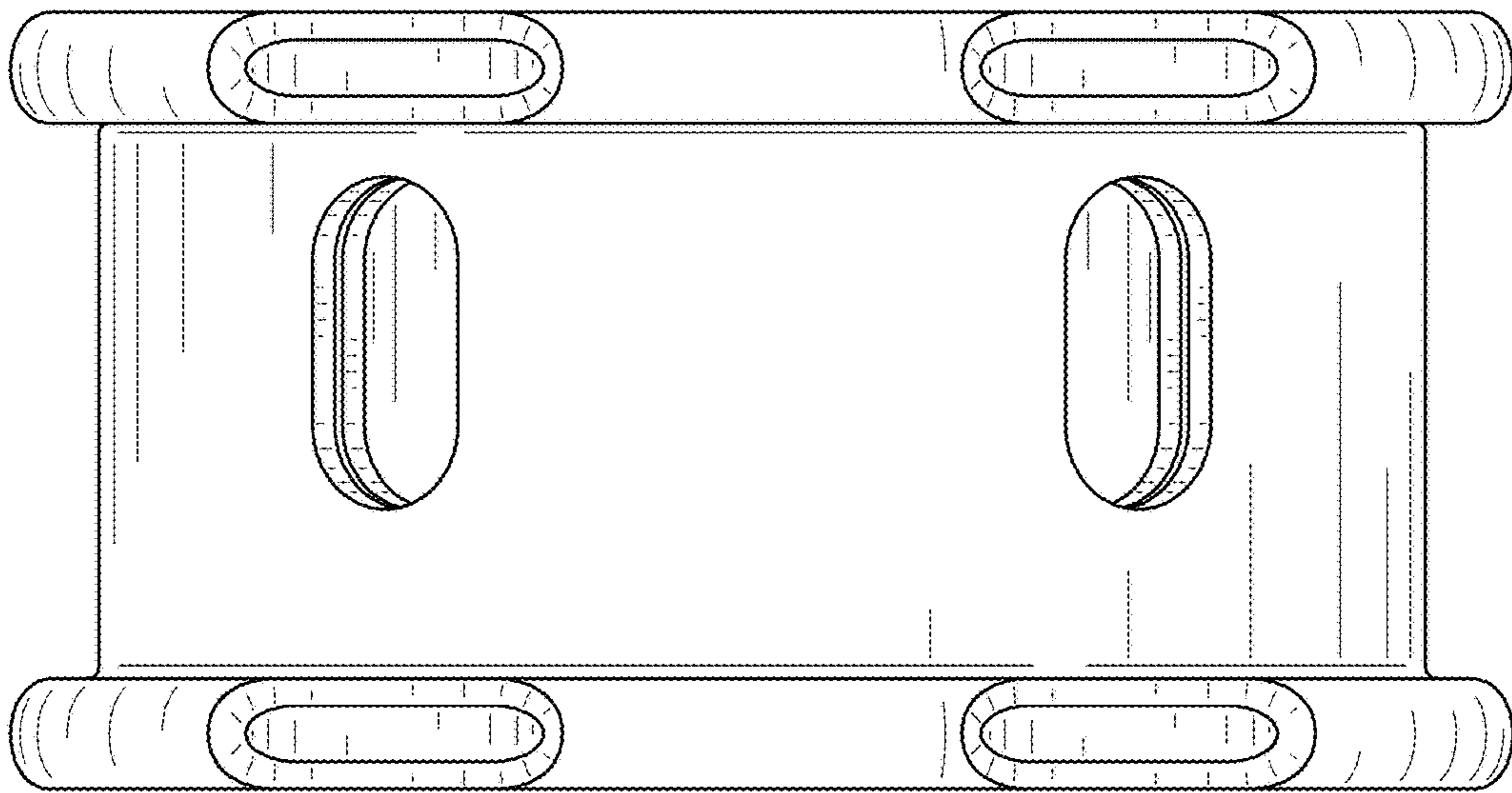


FIG. 4