



US00D830529S

(12) **United States Design Patent** (10) **Patent No.:** **US D830,529 S**
Arinsmier et al. (45) **Date of Patent:** **** Oct. 9, 2018**

(54) **AIR FRESHENING CARTRIDGE**

FOREIGN PATENT DOCUMENTS

(71) Applicant: **The Procter & Gamble Company**,
Cincinnati, OH (US)

CA 826565 12/1997
EM 000106133-0002 11/2003

(Continued)

(72) Inventors: **Keri Marsh Arinsmier**, Mason, OH (US); **William Michael Cannon**, West Harrison, OH (US); **Leslie Roselle Deaton**, Alexandria, KY (US); **Stephen Adam Hughett**, Columbus, OH (US); **Kevin Alan Clarridge**, Columbus, OH (US)

OTHER PUBLICATIONS

Glade lot of various air fresheners reference found online [Dec. 7, 2017]—<https://www.terapeak.com/worth/plug-in-air-fresheners-lot-of-5-glade-plug-in-wall-devices-varied/301791877263/>.*

(Continued)

(73) Assignee: **The Procter & Gamble Company**,
Cincinnati, OH (US)

Primary Examiner — Brandon M Rosati

Assistant Examiner — John A Voytek

(**) Term: **15 Years**

(74) *Attorney, Agent, or Firm* — Abbey A. Lopez

(21) Appl. No.: **29/585,417**

(57) **CLAIM**

The ornamental design for an air freshening cartridge, as shown and described.

(22) Filed: **Nov. 23, 2016**

(51) **LOC (11) Cl.** **28-99**

(52) **U.S. Cl.**
USPC **D23/366**

DESCRIPTION

(58) **Field of Classification Search**
USPC D23/355–370, 386–388; D14/214–216
CPC Y10T 428/1366; B32B 2597/00; B01D 46/00; B01D 46/0004; B01D 27/04
See application file for complete search history.

FIG. 1 is a perspective view of an embodiment of an air freshening cartridge;
FIG. 2 is a front view of the air freshening cartridge of FIG. 1;
FIG. 3 is a rear view of the air freshening cartridge of FIG. 1;
FIG. 4 is a side view of the air freshening cartridge of FIG. 1;
FIG. 5 is a side view of the air freshening cartridge of FIG. 1; opposite the side view shown in FIG. 4;
FIG. 6 is a top view of the air freshening cartridge of FIG. 1; and,
FIG. 7 is a bottom view of the air freshening cartridge of FIG. 1.

In the drawings, the broken lines depict environmental subject matter only and form no part of the claimed design.

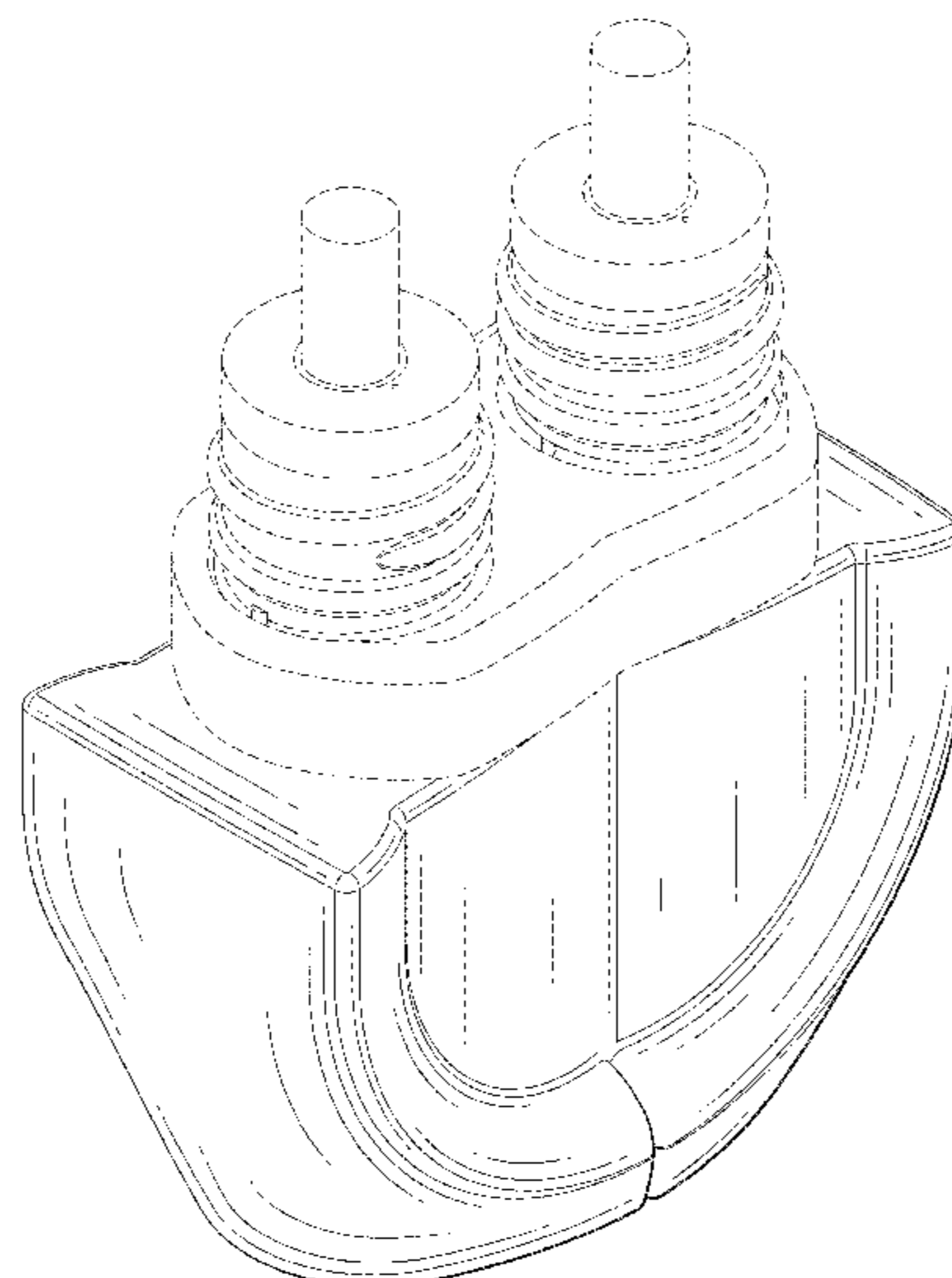
(56) **References Cited**

U.S. PATENT DOCUMENTS

| | | | | |
|--------------|---------|-------------|-------|---------|
| D466,204 S * | 11/2002 | Wolpert | | D23/366 |
| D511,823 S * | 11/2005 | Caserta | | D23/366 |
| D552,225 S * | 10/2007 | Borovicka | | D23/364 |
| D574,941 S * | 8/2008 | Weggelaar | | D23/366 |
| D575,383 S | 8/2008 | Shay | | |
| D604,823 S * | 11/2009 | Schwartz | | D23/366 |
| D610,666 S * | 2/2010 | Furner | | D23/366 |
| D611,585 S * | 3/2010 | Gruenbacher | | D23/366 |
| D614,755 S * | 4/2010 | Brewster | | D23/366 |

(Continued)

1 Claim, 5 Drawing Sheets



(56)

References Cited

U.S. PATENT DOCUMENTS

D625,797 S * 10/2010 Poves D23/366
D659,818 S 5/2012 Belongia et al.
D661,790 S * 6/2012 Majerowski D23/366
D663,018 S * 7/2012 Sordo D23/366
D689,999 S * 9/2013 Viala D23/366
D694,383 S 11/2013 Grzybowski
D694,384 S 11/2013 Grzybowski
D712,532 S * 9/2014 Adair A61L 9/12
D23/366

FOREIGN PATENT DOCUMENTS

EM 002910570-0002 12/2015
FR 984469-0001 7/1998
FR 20121480-0001 3/2012
FR 20121480-0002 3/2012
FR 20121480-0003 3/2012

OTHER PUBLICATIONS

U.S. Appl. No. 29/585,409, filed Nov. 23, 2016, Arinsmier, et al.
U.S. Appl. No. 29/585,413, filed Nov. 23, 2016, Arinsmier, et al.

* cited by examiner

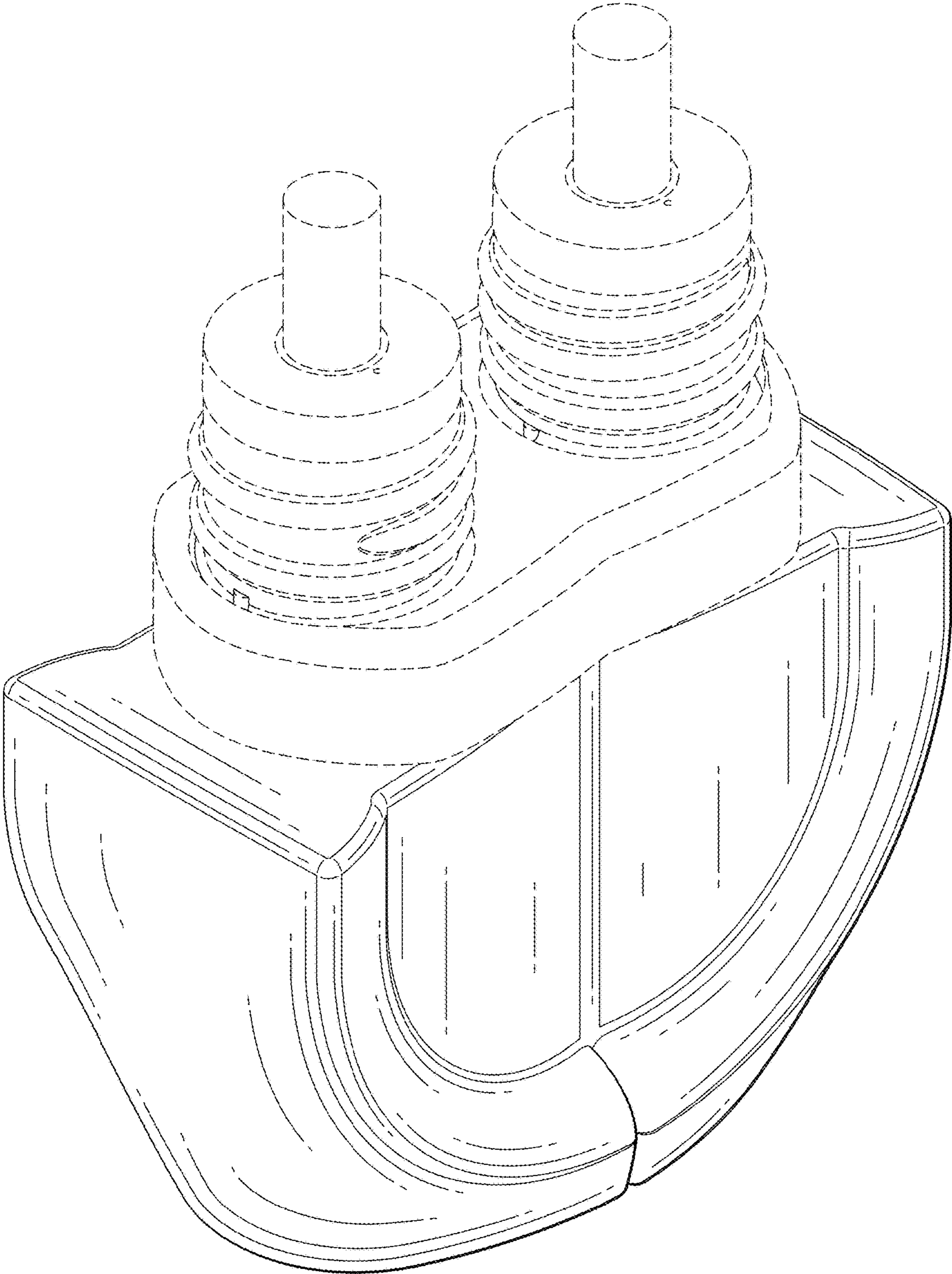


FIG. 1

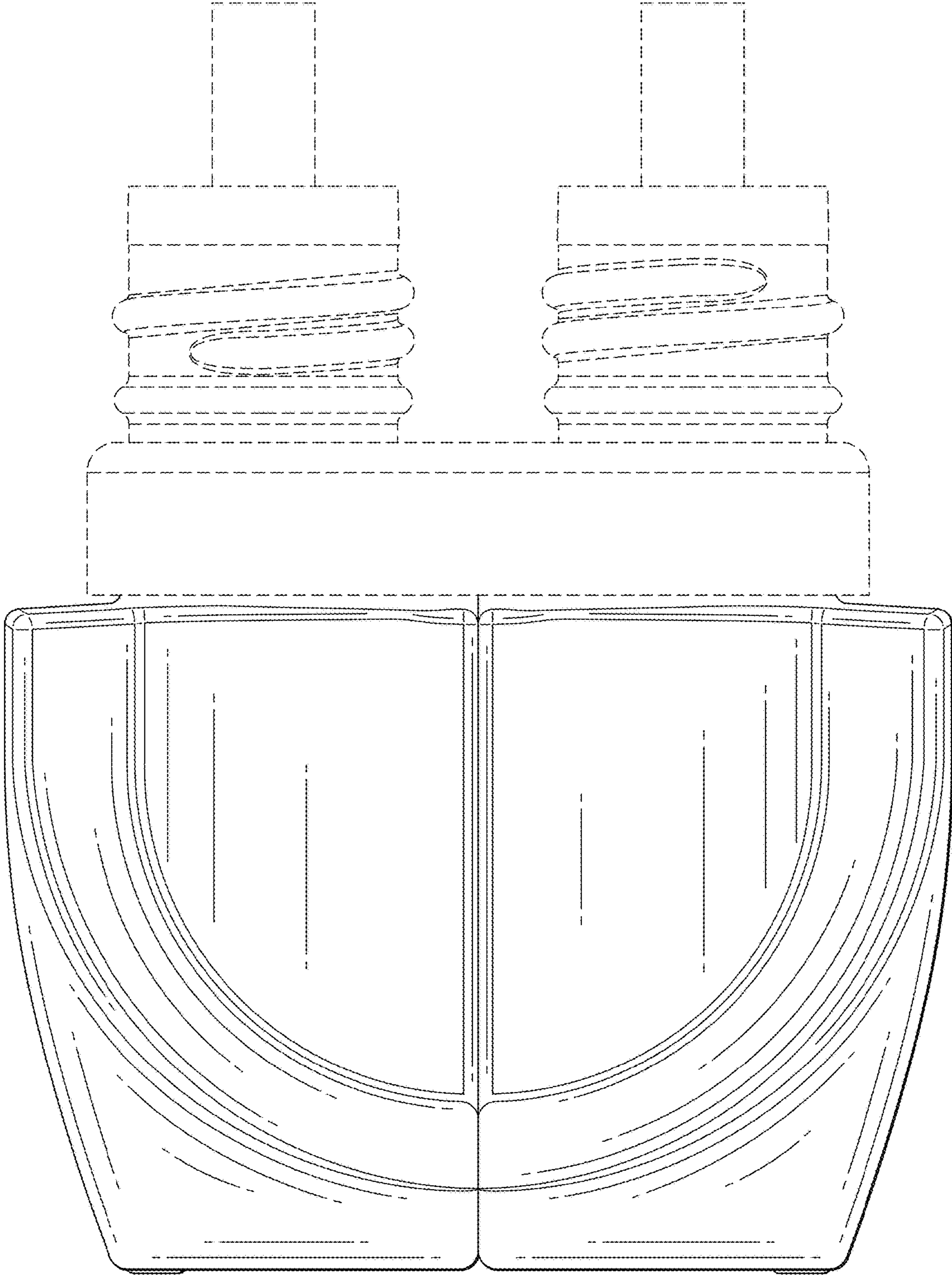


FIG. 2

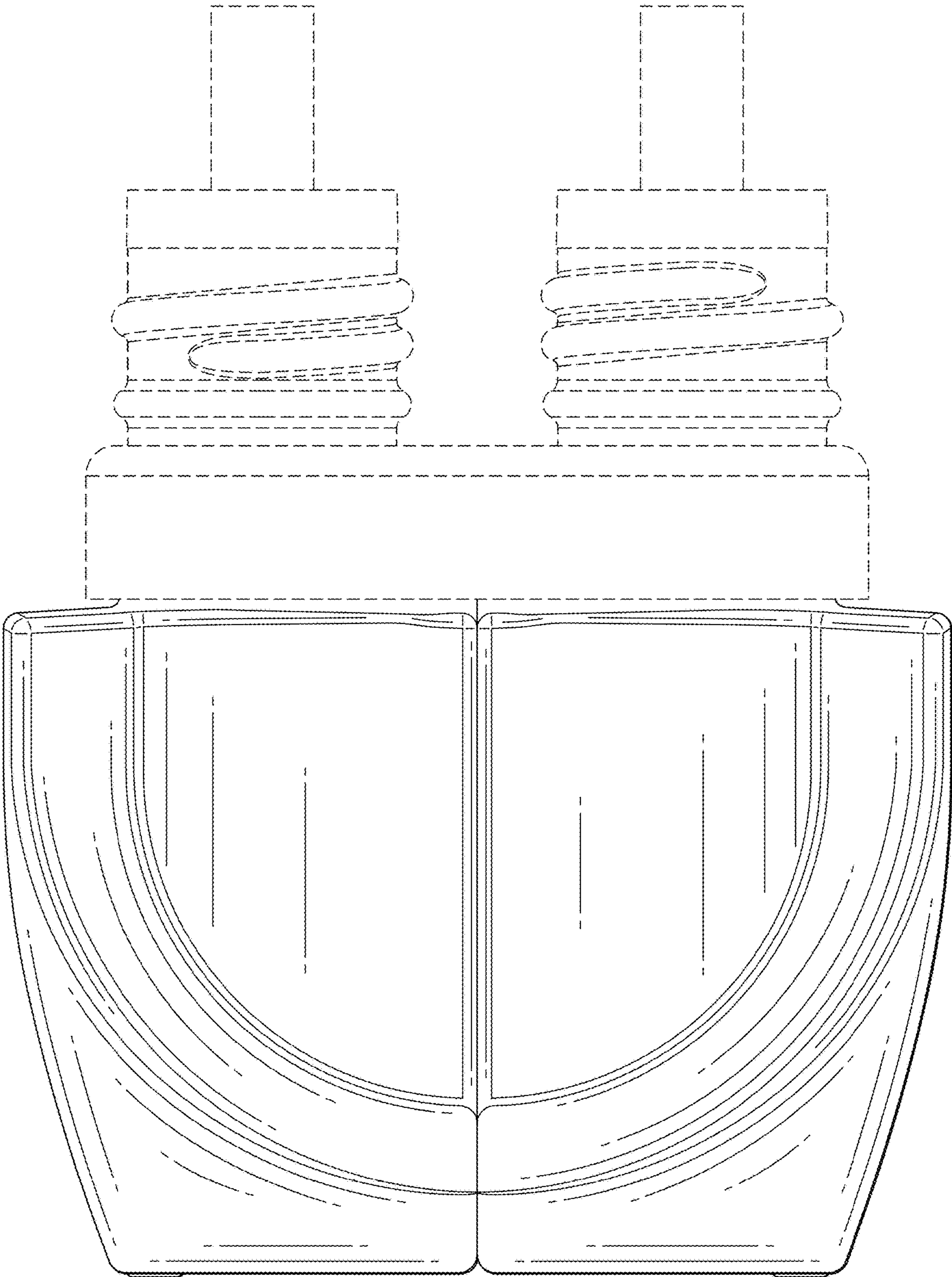


FIG. 3

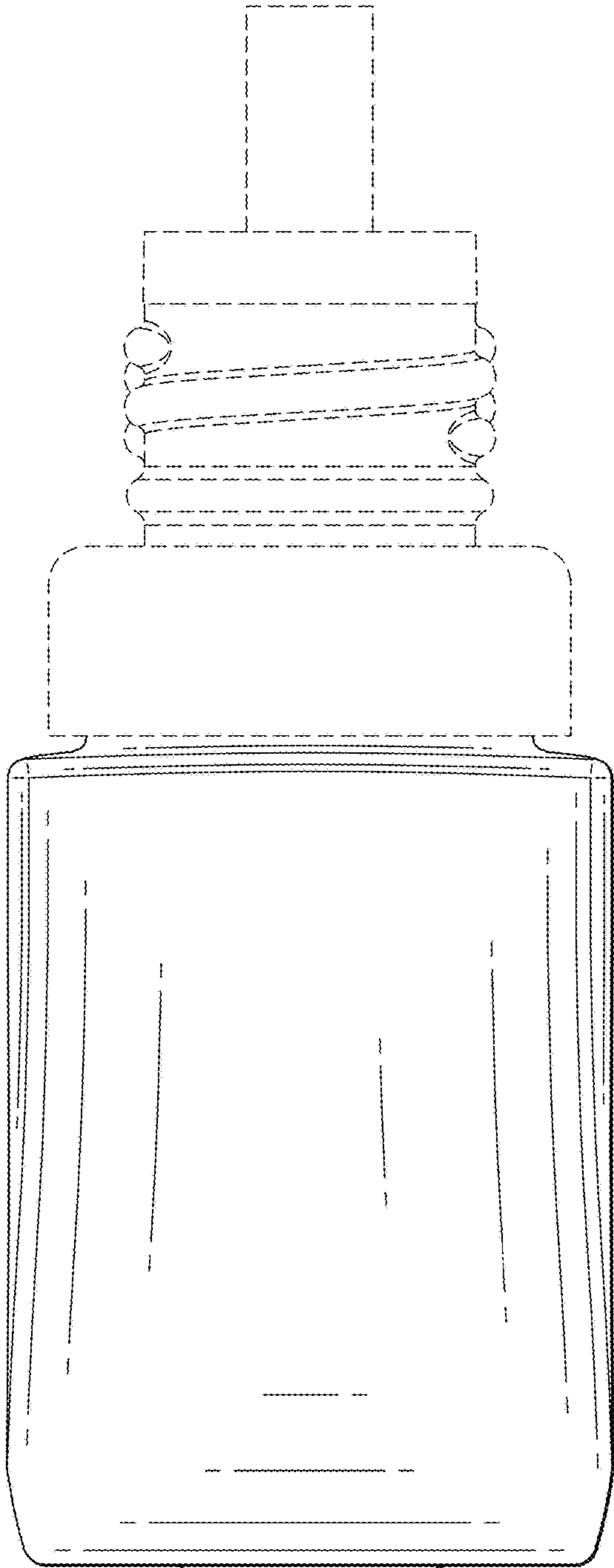


FIG. 4

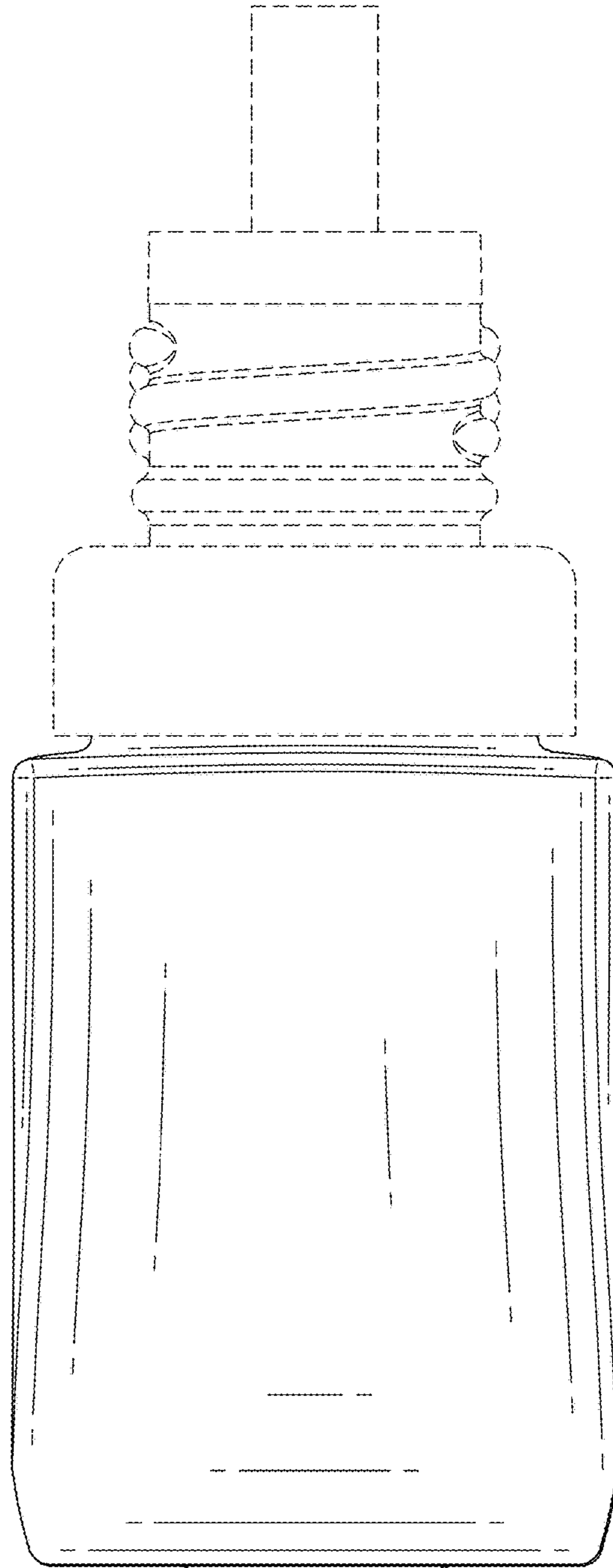


FIG. 5

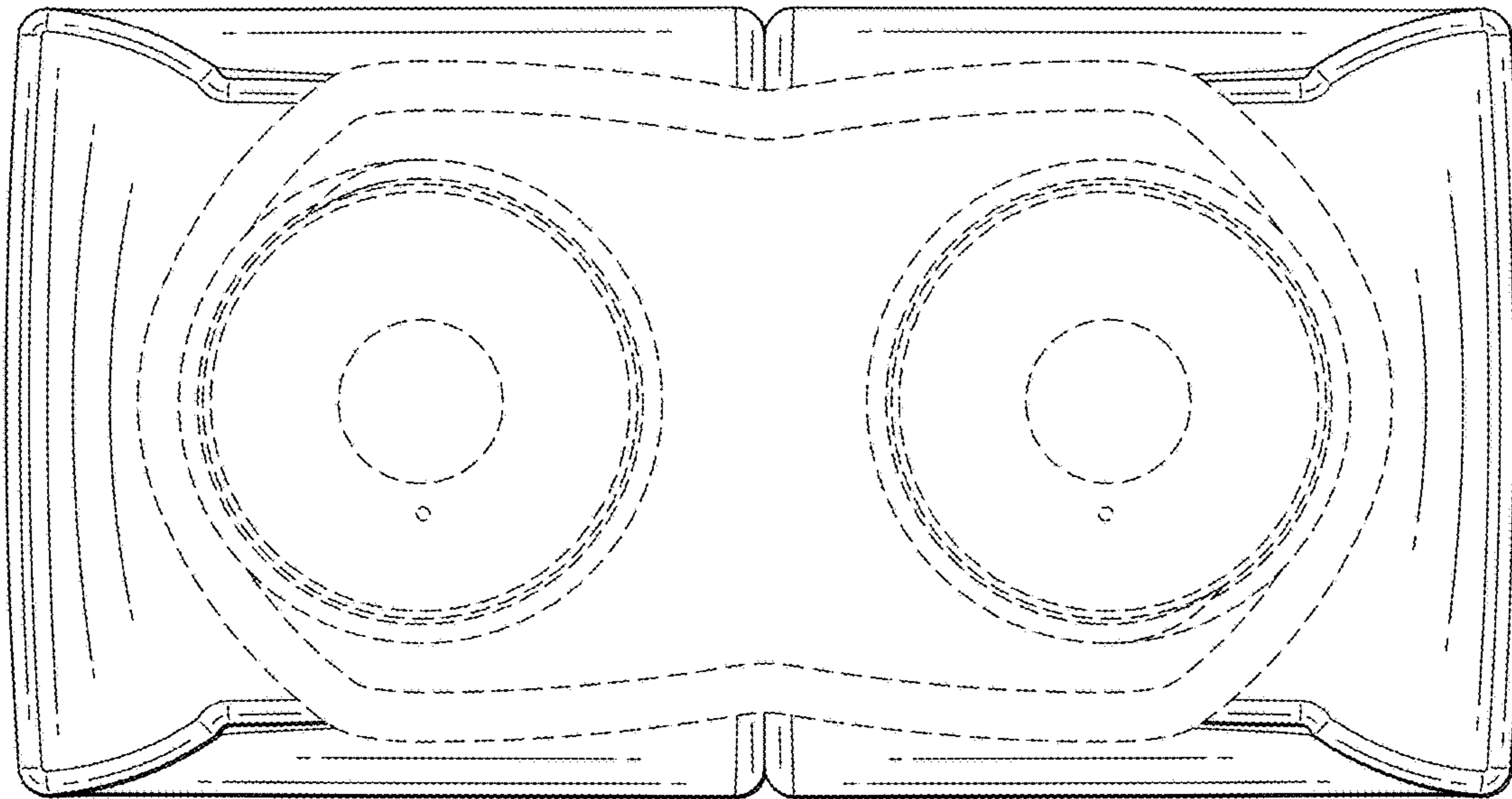


FIG. 6

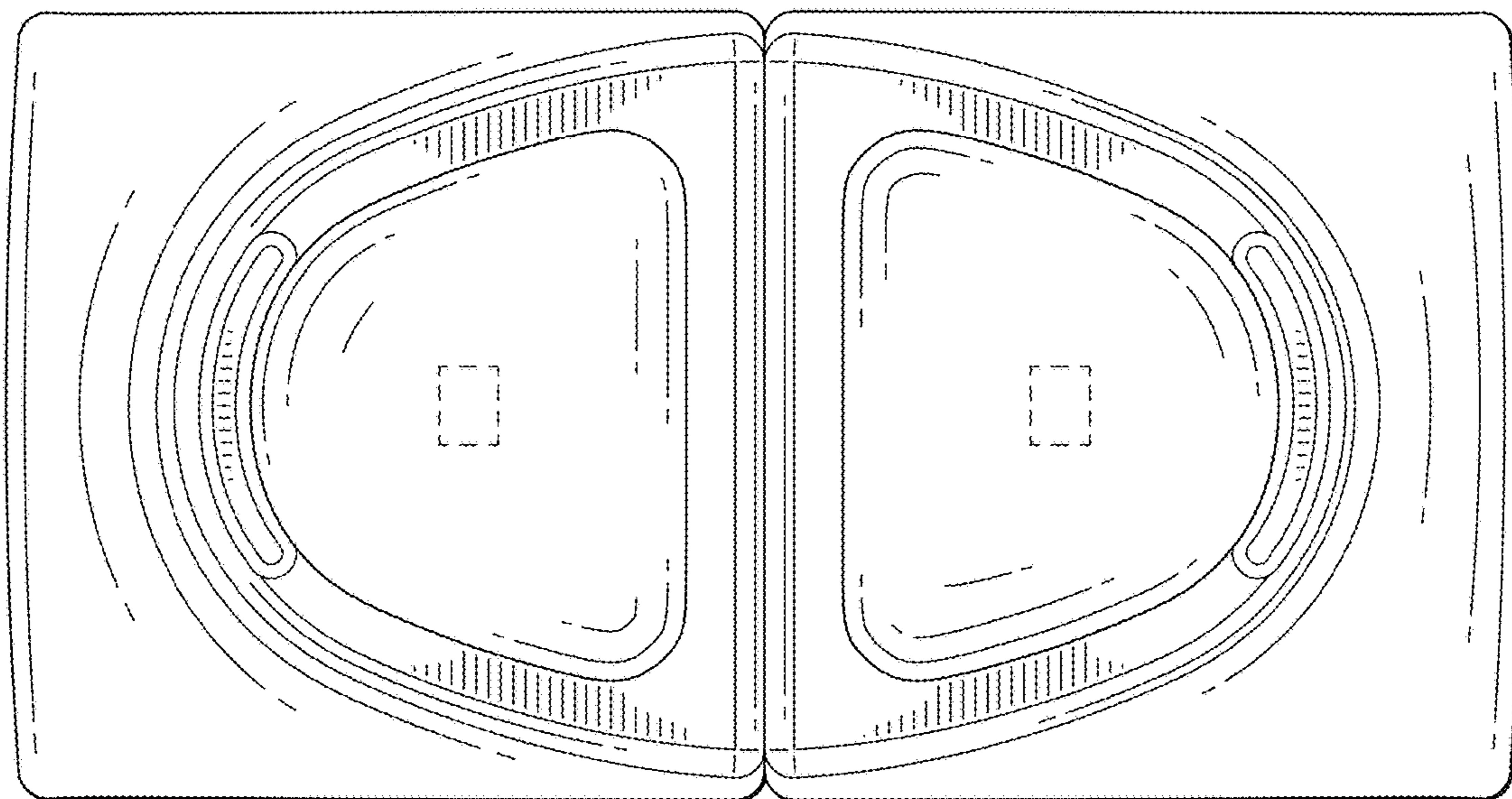


FIG. 7