



US00D830528S

(12) **United States Design Patent**
Zhou et al.

(10) **Patent No.:** **US D830,528 S**

(45) **Date of Patent:** **** Oct. 9, 2018**

(54) **DEHUMIDIFIER**

(71) Applicants: **GD MIDEA AIR-CONDITIONING EQUIPMENT CO., LTD.**, Foshan, GD. (CN); **MIDEA GROUP CO., LTD.**, Foshan, Guangdong (CN)

(72) Inventors: **Lilong Zhou**, Foshan (CN); **Jiabing Ye**, Foshan (CN)

(73) Assignees: **GD MIDEA AIR-CONDITIONING EQUIPMENT CO., LTD.**, Foshan, GD (CN); **MIDEA GROUP CO., LTD.**, Foshan, Guangdong (CN)

(**) Term: **15 Years**

(21) Appl. No.: **29/622,034**

(22) Filed: **Oct. 13, 2017**

(30) **Foreign Application Priority Data**

Jun. 7, 2017 (CN) 2017 3 0228902

(51) **LOC (11) Cl.** **23-04**

(52) **U.S. Cl.**
USPC **D23/364**

(58) **Field of Classification Search**
USPC D23/355–366, 352, 369, 332, 333, 335, D23/336, 342, 351; 422/120, 122; 55/356, 473, 504; 96/97; D14/188, 170, D14/172; 261/DIG. 17; D18/34.6
CPC .. A61L 9/16; A61L 9/22; B01D 47/00; B01D 47/027; B01D 2221/02; B01D 2259/4508; B03C 3/155; B03C 3/368; F24F 3/16; F24F 13/20; F24F 13/28; F24F 2001/0096

See application file for complete search history.

(56) **References Cited**

U.S. PATENT DOCUMENTS

D472,626 S * 4/2003 Nakamura D23/364
D498,296 S * 11/2004 Shimizu D23/364

D550,343 S * 9/2007 Chen D23/364
D550,826 S * 9/2007 Murai D23/364
D557,783 S * 12/2007 Yoo D23/359
D575,857 S * 8/2008 Chiu D23/333
D586,451 S * 2/2009 Murai D23/364
D595,824 S * 7/2009 Ohta D23/364
D595,825 S * 7/2009 Ohta D23/364
D595,826 S * 7/2009 Ohta D23/364
D595,827 S * 7/2009 Satou D23/364
D598,087 S * 8/2009 Park, II D23/333
D599,456 S * 9/2009 Choi D23/364
D603,496 S * 11/2009 Murai D23/364
D605,272 S * 12/2009 Chun D23/359

(Continued)

Primary Examiner — David Muller

Assistant Examiner — Nathan Johnston

(74) *Attorney, Agent, or Firm* — Morgan, Lewis & Bockius LLP

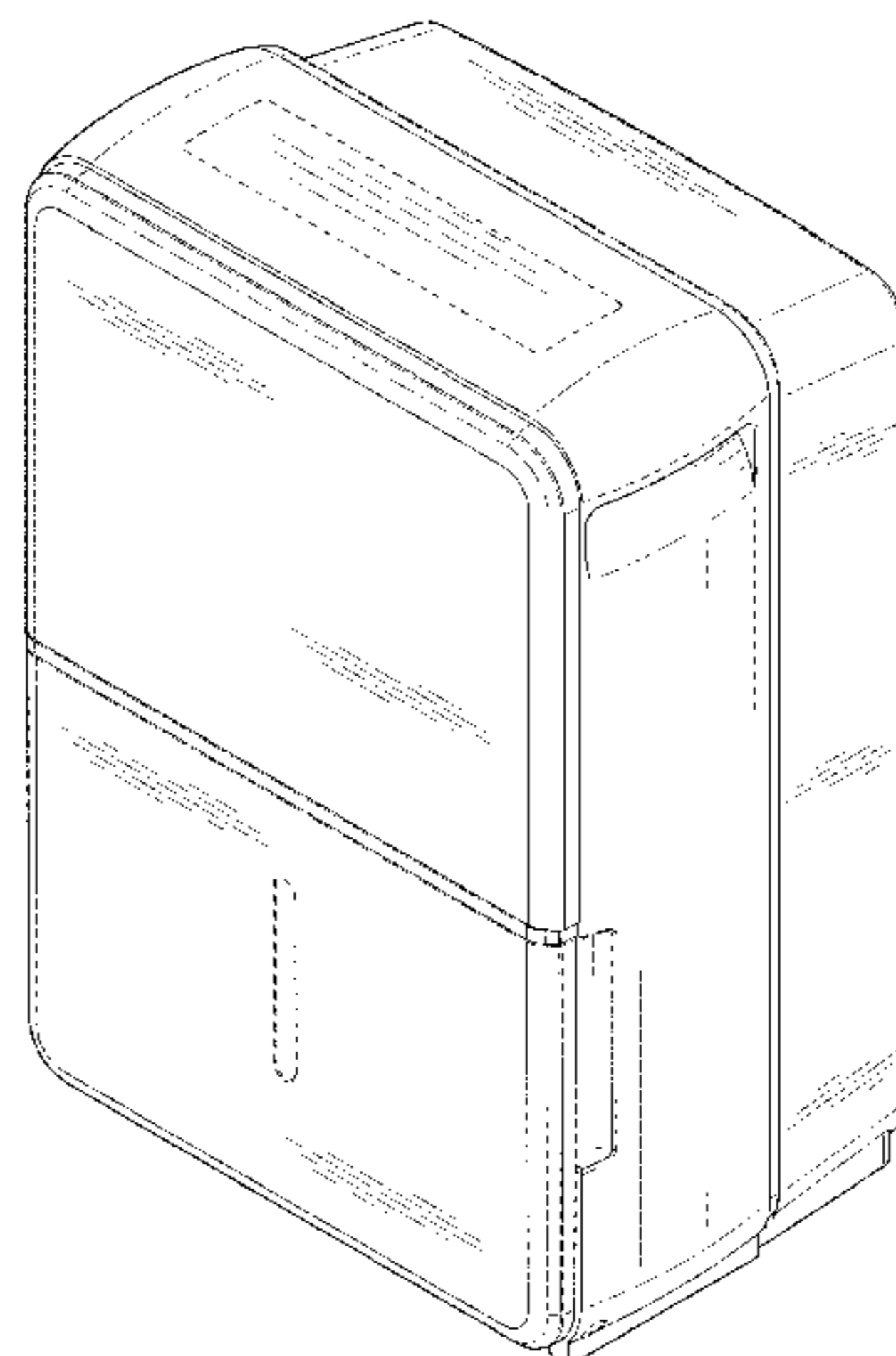
(57) **CLAIM**

The ornamental design for a dehumidifier, as shown and described.

DESCRIPTION

FIG. 1 is a front perspective view of a dehumidifier showing our new design;
FIG. 2 is a rear perspective view thereof;
FIG. 3 is a front elevation view thereof;
FIG. 4 is a rear elevation view thereof;
FIG. 5 is a right-side elevation view thereof;
FIG. 6 is a left-side elevation view thereof;
FIG. 7 is a top plan view thereof; and,
FIG. 8 is a bottom plan view thereof.
The broken lines immediately adjacent to the shaded areas in the figures represent the boundaries of the claimed design. The broken lines in the figures illustrate the portions of the design that form no part of the claimed design. None of the broken lines form any part of the claimed design.

1 Claim, 8 Drawing Sheets



(56)

References Cited

U.S. PATENT DOCUMENTS

D613,386	S	*	4/2010	Niki	D23/364
D613,387	S	*	4/2010	Satou	D23/364
D616,081	S	*	5/2010	Chiu	D23/333
D634,829	S	*	3/2011	Niki	D23/355
D644,312	S	*	8/2011	Tsuji	D23/364
D658,280	S	*	4/2012	Niki	D23/364
D702,825	S	*	4/2014	Satou	D23/364
D746,426	S	*	12/2015	Zhao	D23/359
D783,793	S	*	4/2017	Satou	D23/364
D799,015	S	*	10/2017	Tang	D23/364
D810,259	S	*	2/2018	You	D23/364

* cited by examiner

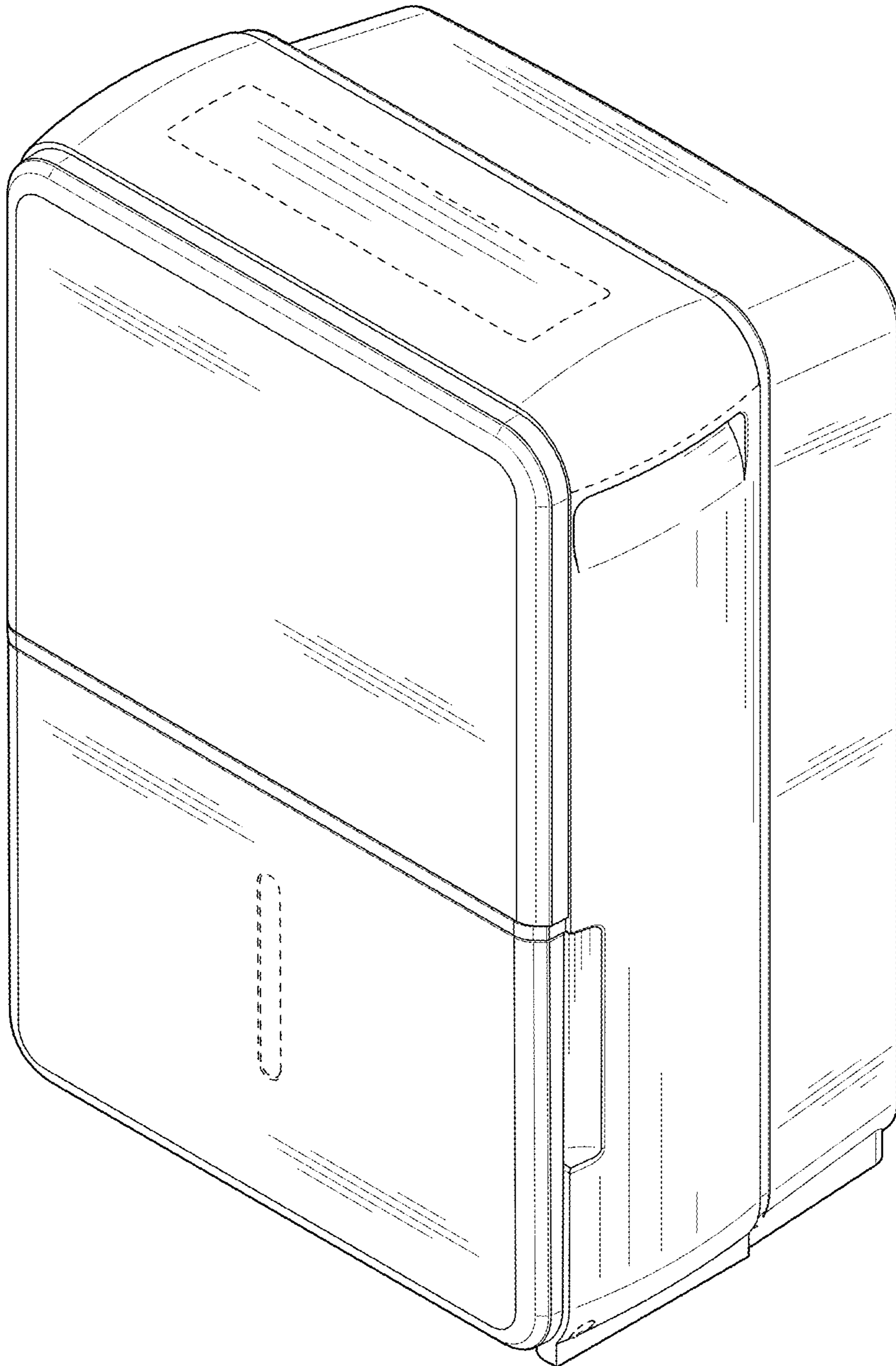


FIG. 1

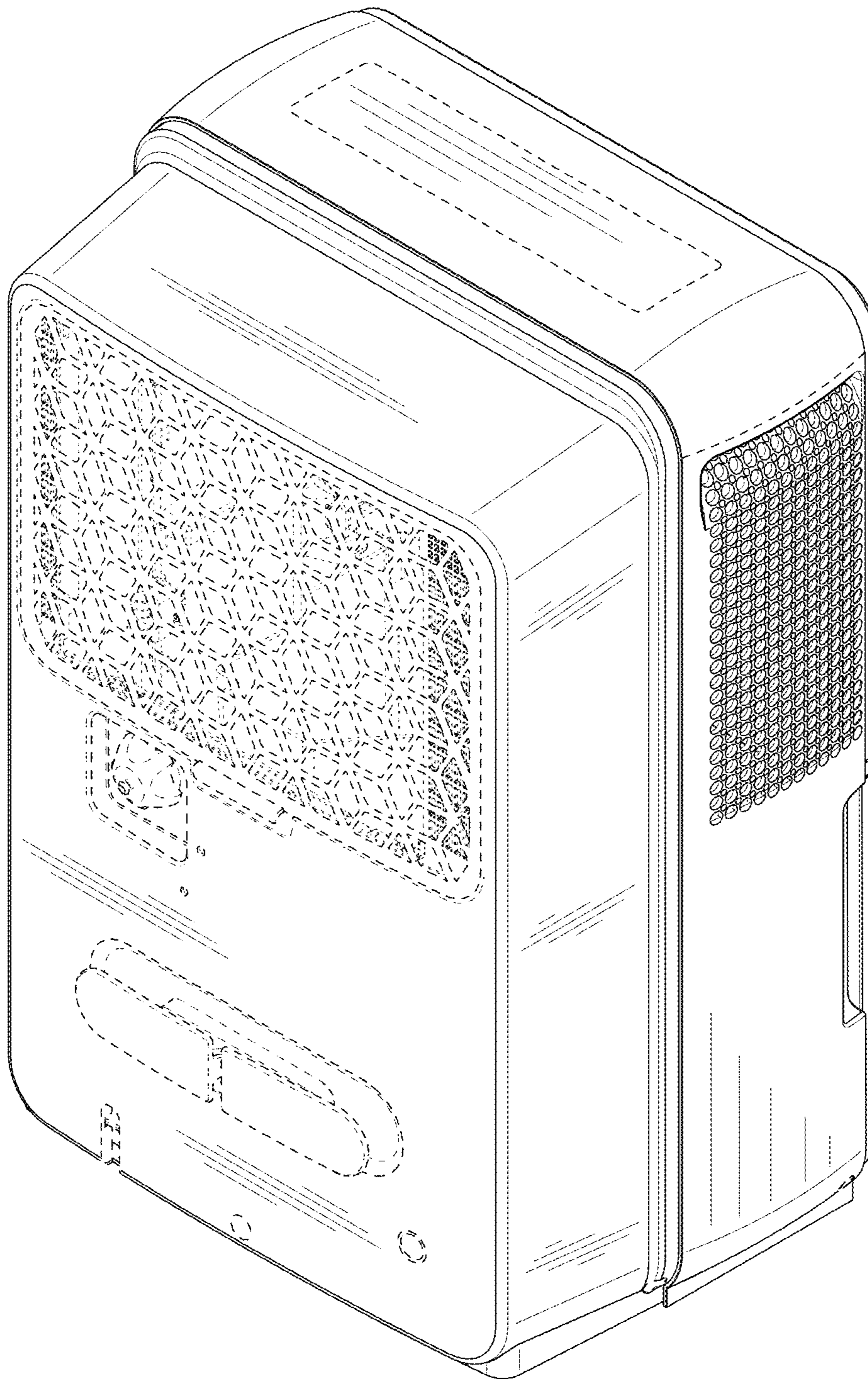


FIG. 2

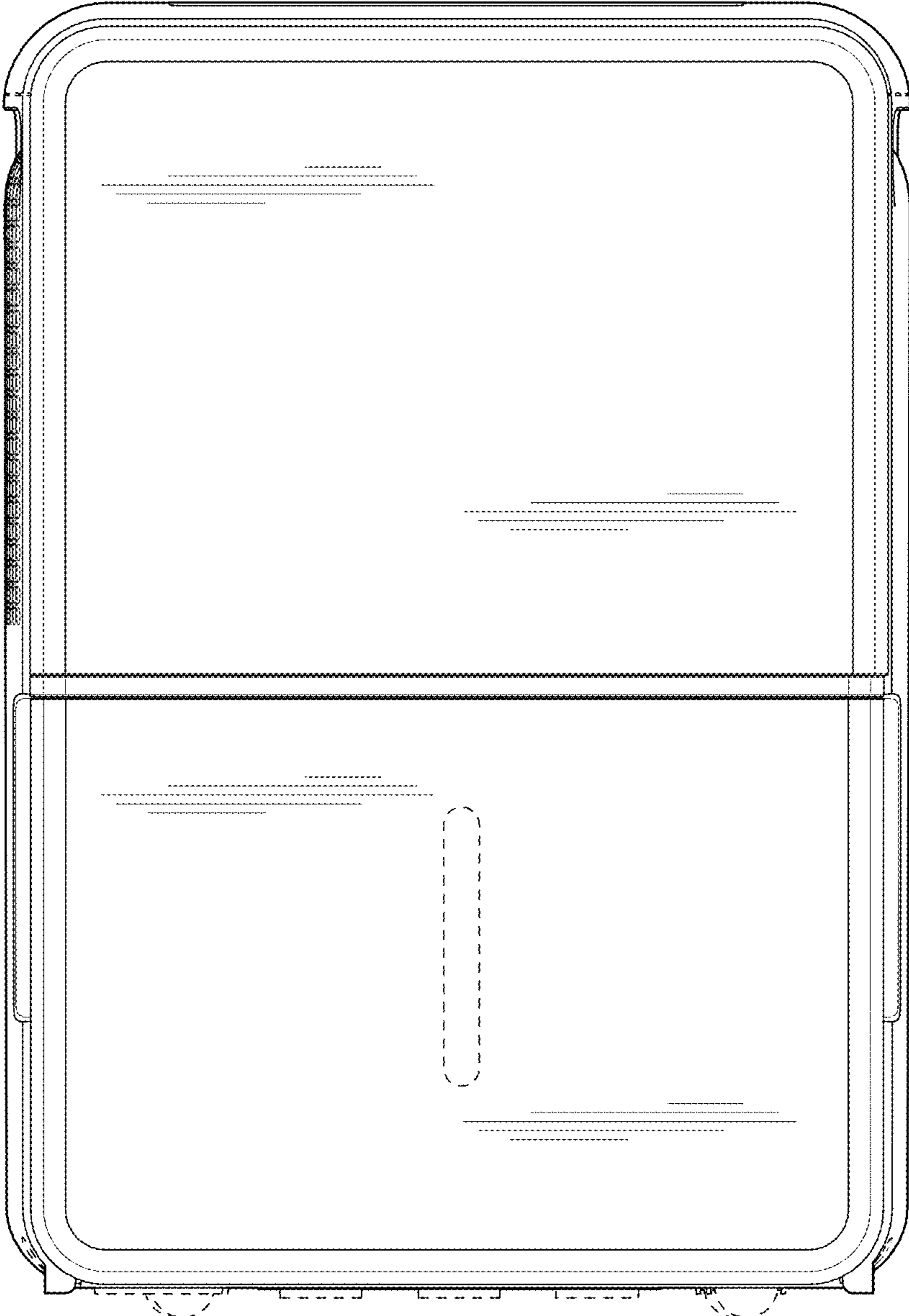


FIG. 3

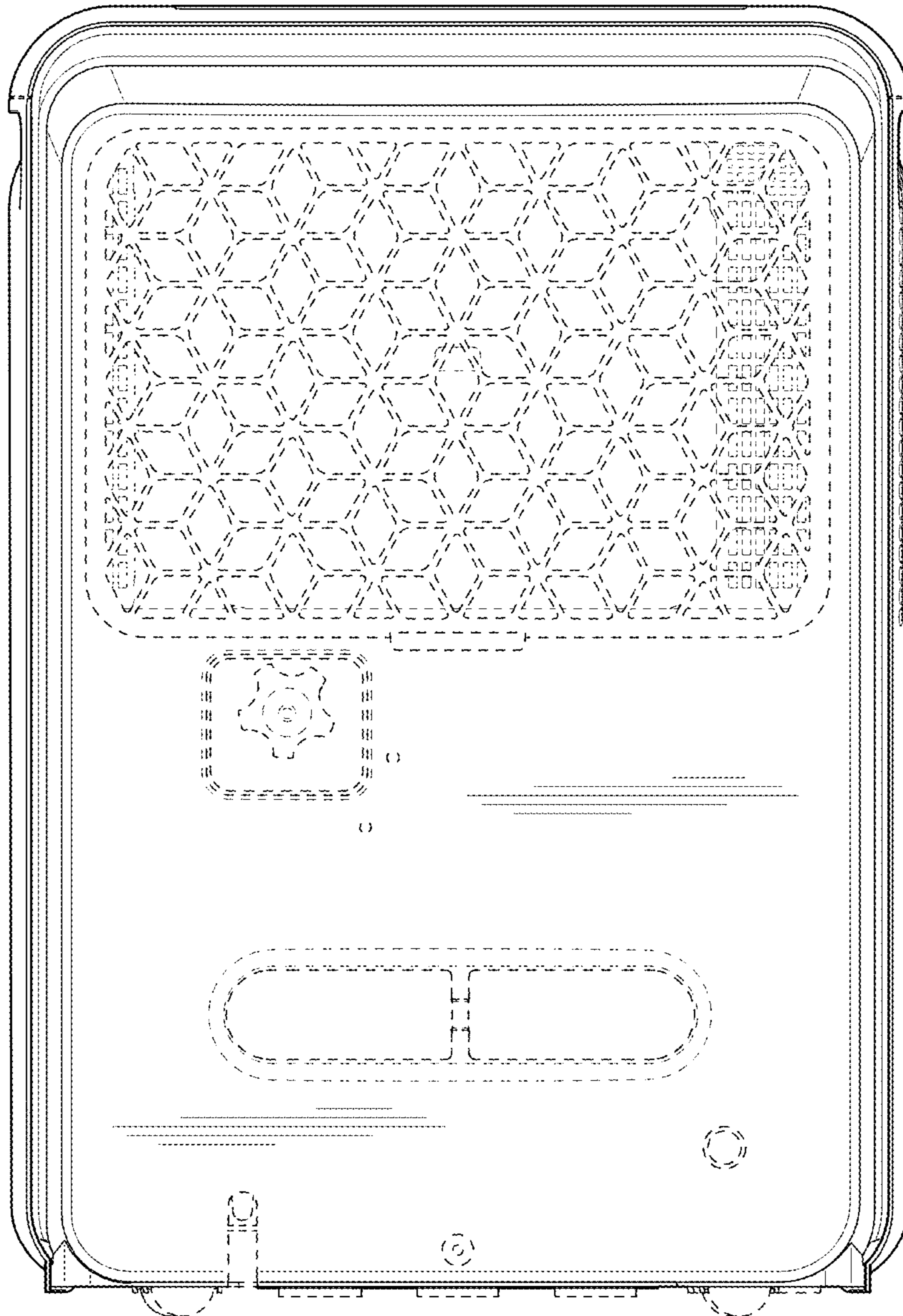


FIG. 4

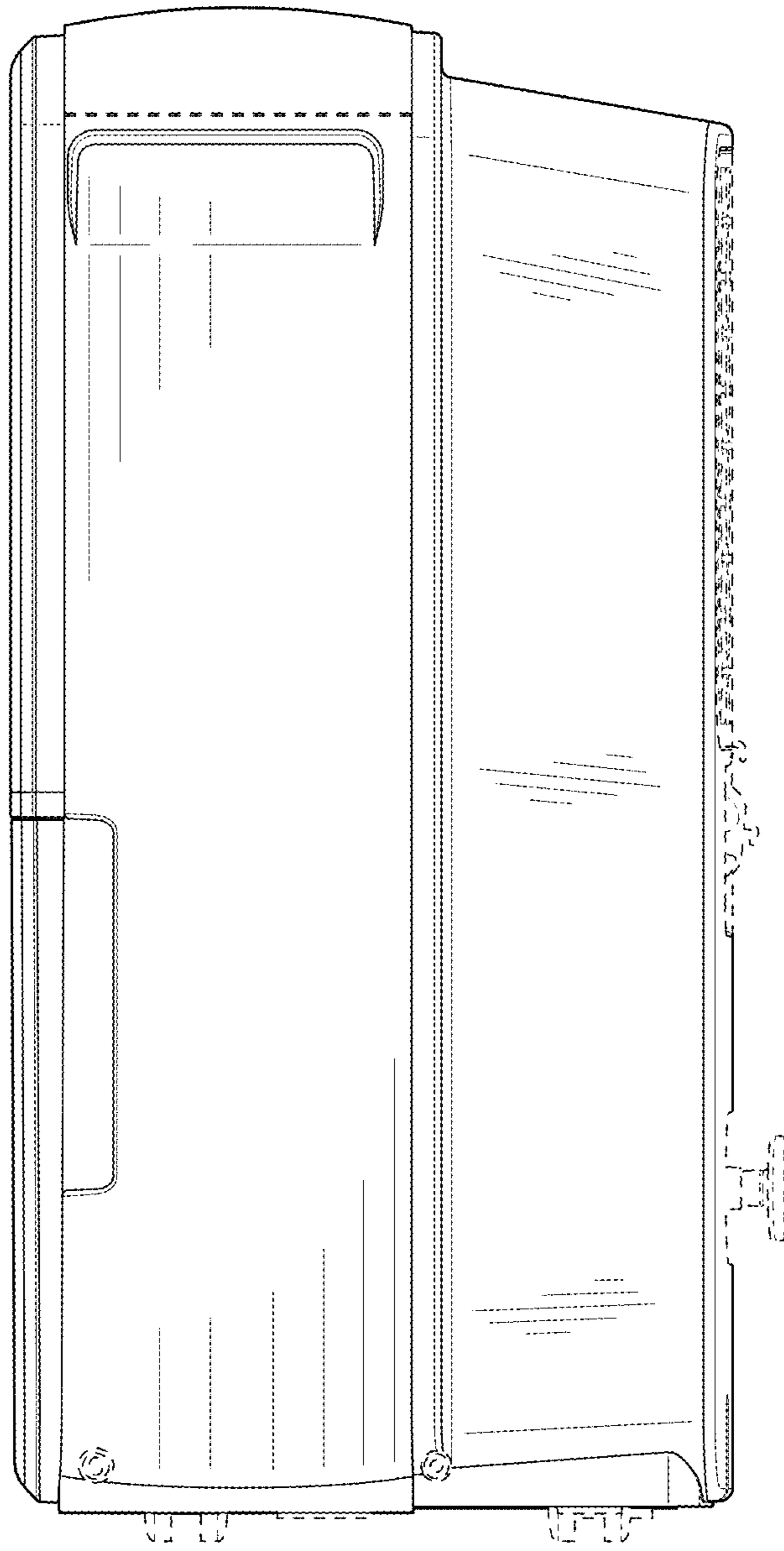


FIG. 5

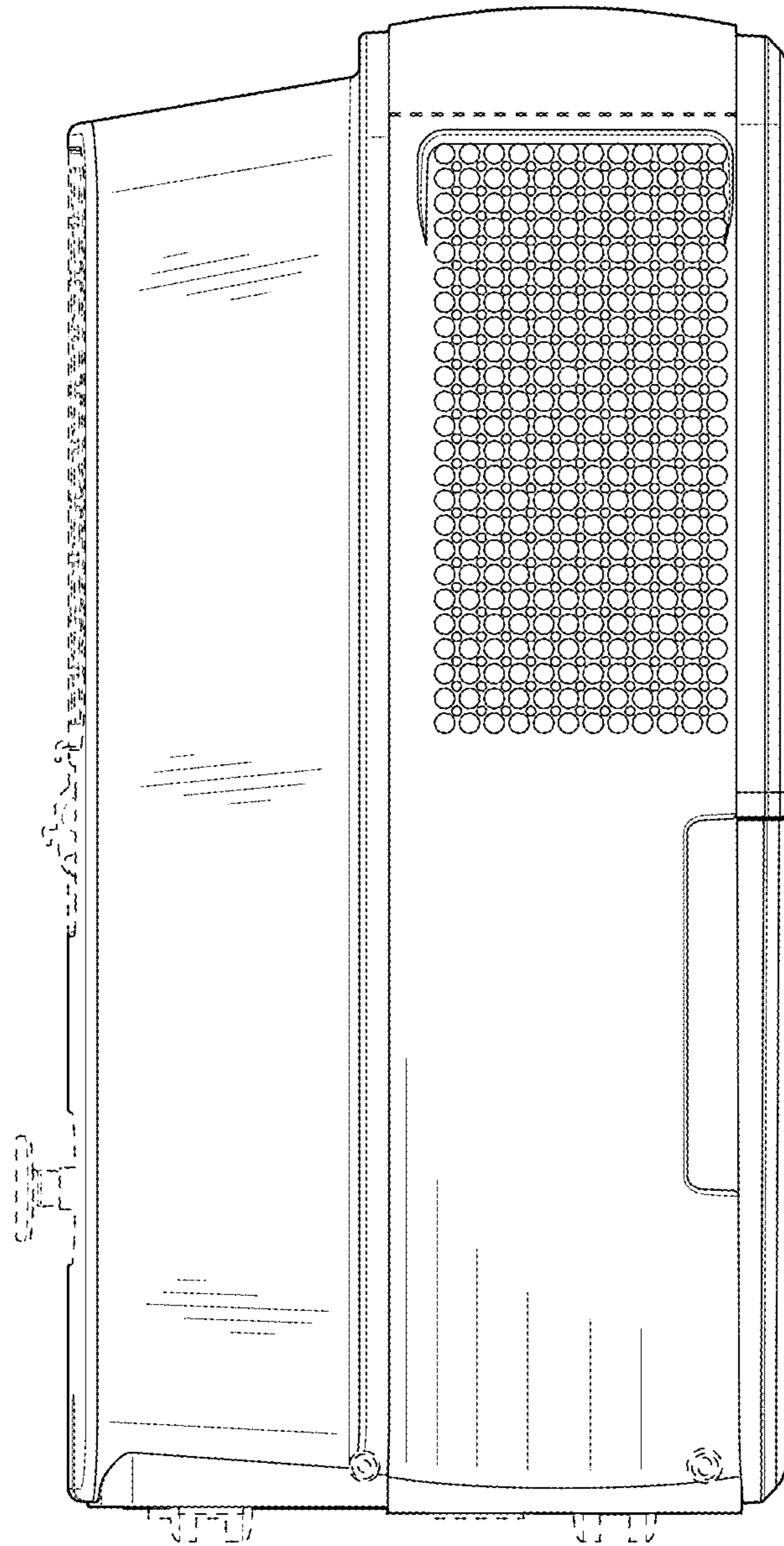


FIG. 6

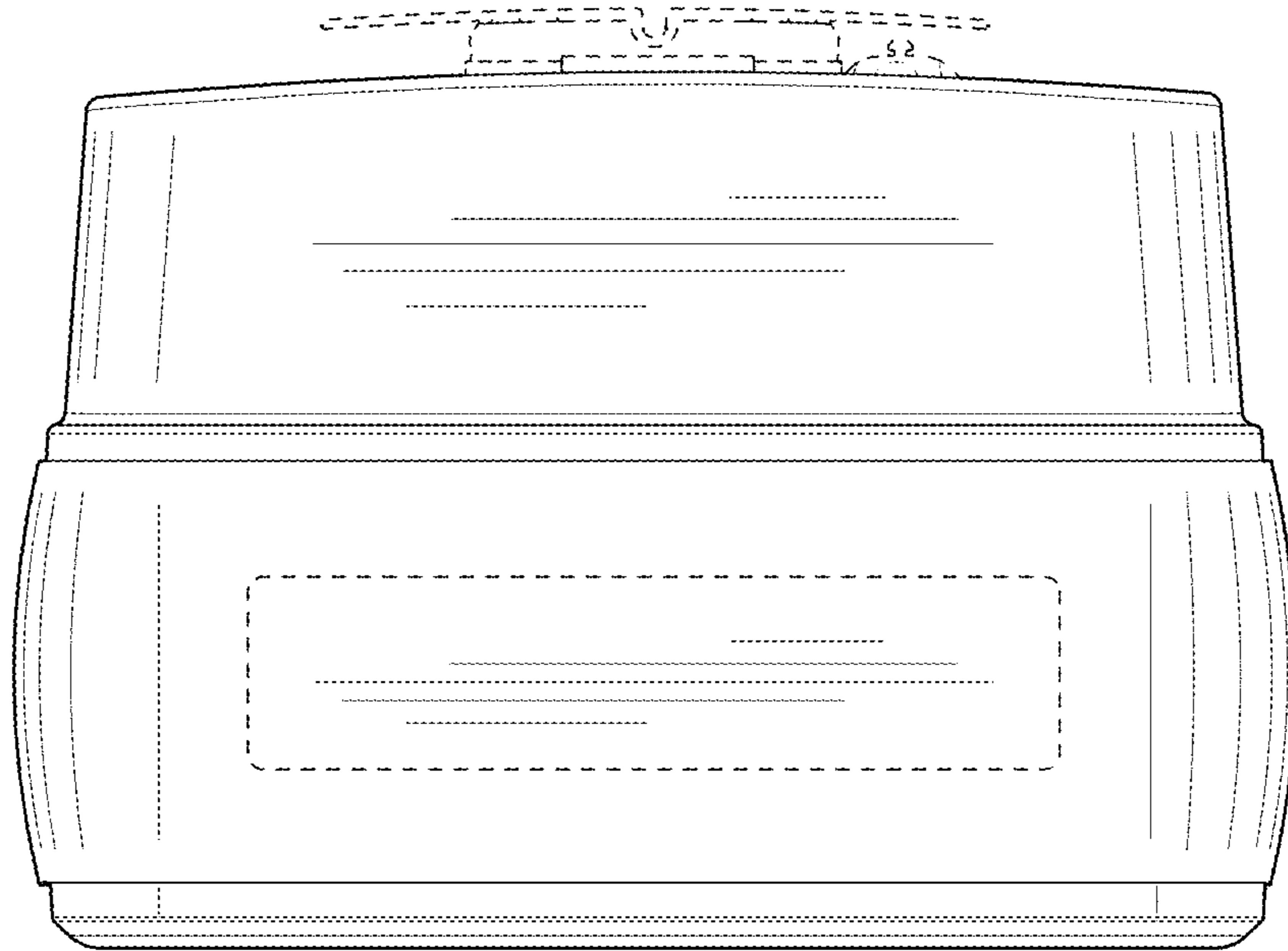


FIG. 7

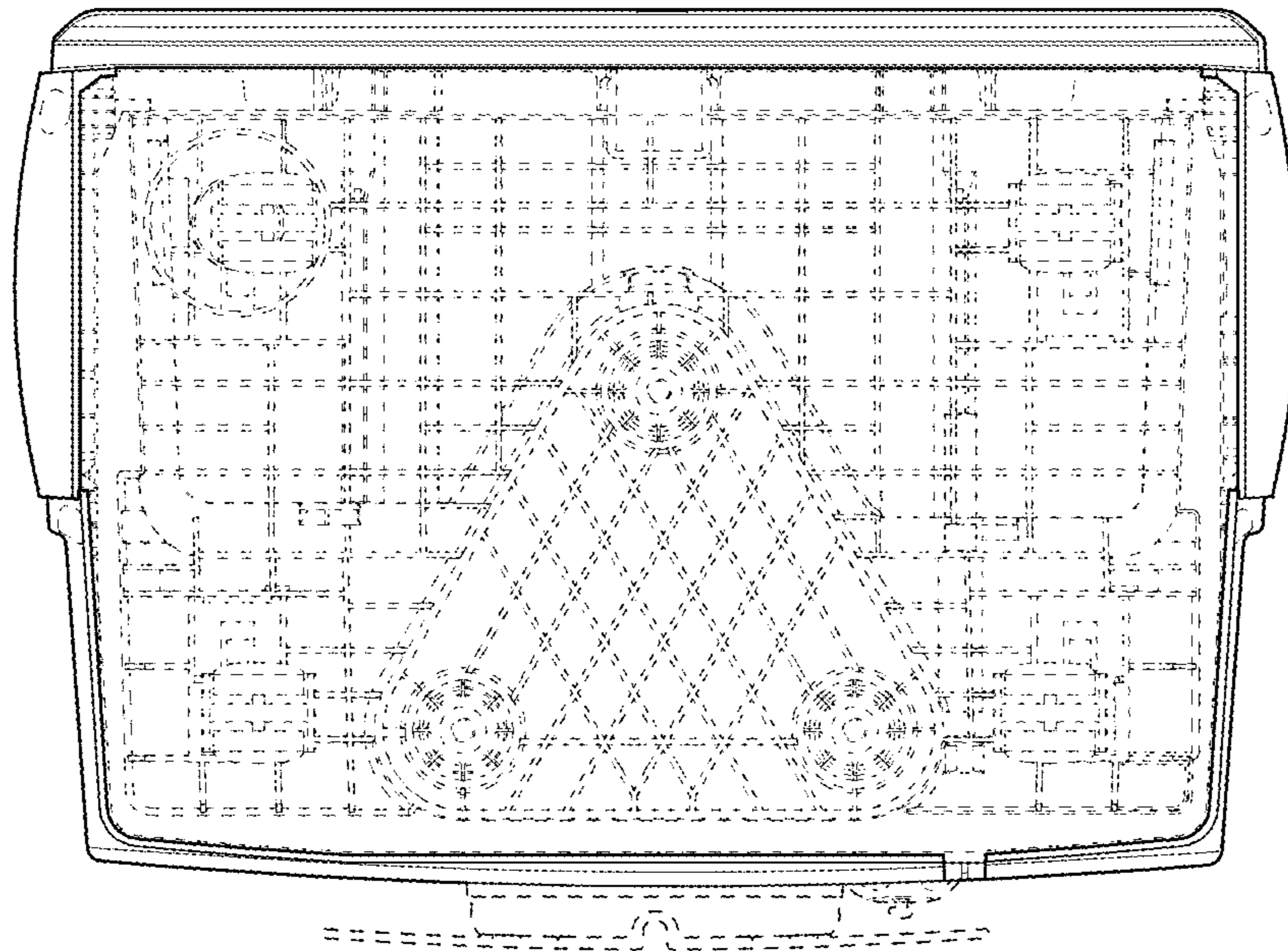


FIG. 8