

US00D830524S

(12) **United States Design Patent** (10) **Patent No.:** **US D830,524 S**
Vranish (45) **Date of Patent:** **** Oct. 9, 2018**

- (54) **COUPLING**
- (71) Applicant: **Colder Products Company**, St. Paul, MN (US)
- (72) Inventor: **David J. Vranish**, New Hope, MN (US)
- (73) Assignee: **Colder Products Company**, St. Paul, MN (US)
- (**) Term: **15 Years**
- (21) Appl. No.: **29/592,837**
- (22) Filed: **Feb. 2, 2017**

4,447,040 A	5/1984	Magorian	
D298,605 S *	11/1988	Colgan	D8/382
4,892,117 A	1/1990	Spalink	
5,018,352 A	5/1991	Compton	
5,104,158 A	4/1992	Meyer et al.	
5,316,041 A	5/1994	Ramacier, Jr. et al.	
5,546,985 A	8/1996	Bartholomew	
5,709,243 A	1/1998	Wells et al.	
D396,730 S *	8/1998	Schaupp	D23/259
5,911,403 A	6/1999	deCler et al.	
5,938,244 A	8/1999	Meyer	
5,975,489 A	11/1999	deCler et al.	
D419,860 S *	2/2000	Persson	D8/382
6,024,124 A	2/2000	Braun et al.	
6,082,401 A	7/2000	Braun et al.	
6,176,263 B1	1/2001	Lacroix et al.	
6,328,348 B1	12/2001	Cornford et al.	
6,681,803 B2	1/2004	Taneya et al.	

(Continued)

Related U.S. Application Data

- (63) Continuation of application No. 14/567,254, filed on Dec. 11, 2014, which is a continuation-in-part of application No. 14/212,322, filed on Mar. 14, 2014.
- (51) **LOC (11) Cl.** **23-01**
- (52) **U.S. Cl.**
USPC **D23/262**; D24/112
- (58) **Field of Classification Search**
USPC D23/259-266; D24/129, 112; D8/382, D8/396; 251/149.6-149.9, 149.1, 149; 285/245, 246, 249, 322, 248, 251, 253; 137/614, 614.02-614.06; D29/129; D32/25, 32
CPC F16L 37/0841; F16L 37/35; F16L 37/34; F16L 37/142; F16L 37/413; F16L 37/30; F16L 37/44; F16L 37/36; F16L 37/32; F16L 27/073
See application file for complete search history.

(56) **References Cited**

U.S. PATENT DOCUMENTS

3,334,659 A	8/1967	Magorien
4,327,770 A	5/1982	Brown et al.

OTHER PUBLICATIONS

International Search Report and Written Opinion for PCT/US2014/027937 dated Jul. 8, 2014.

(Continued)

Primary Examiner — Eric L Goodman
Assistant Examiner — Amy C Wierenga
(74) *Attorney, Agent, or Firm* — Fish & Richardson P.C.

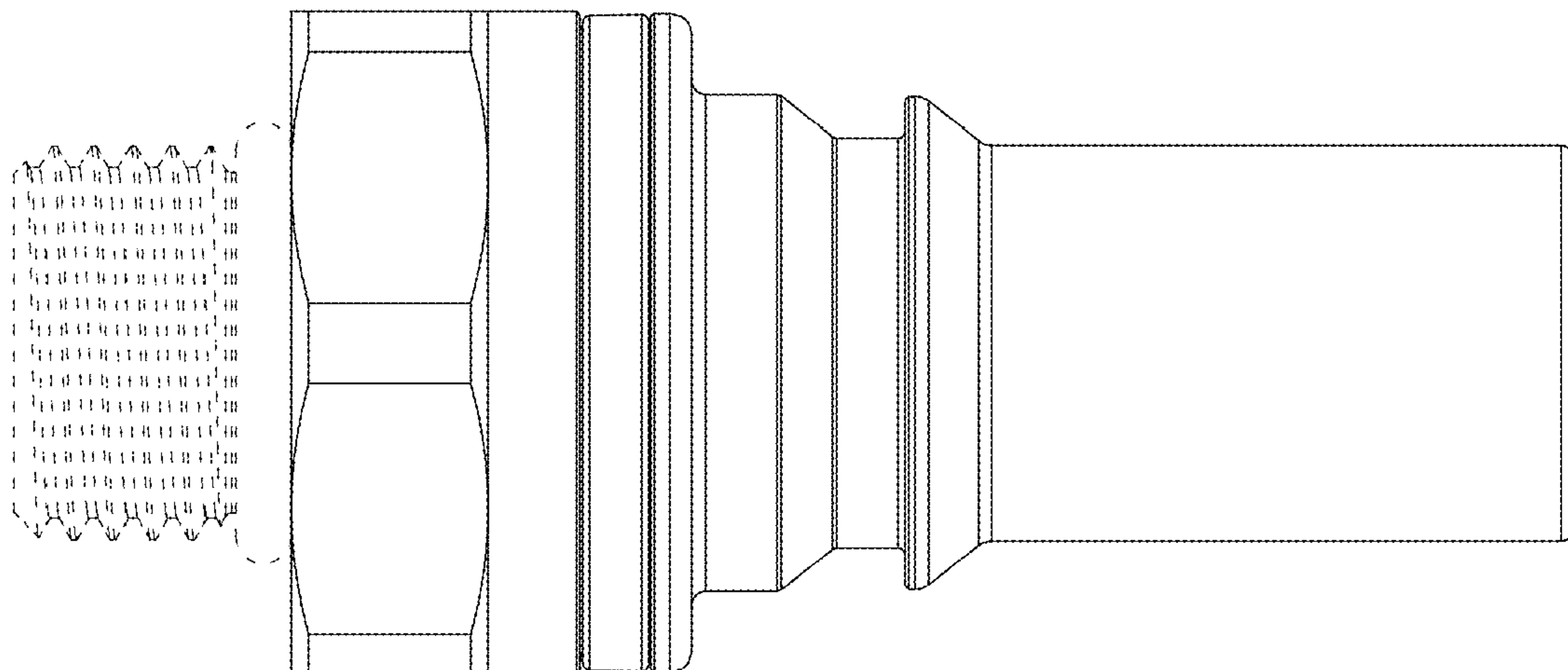
(57) **CLAIM**

The ornamental design for a coupling, as shown and described.

DESCRIPTION

FIG. 1 is perspective view of the coupling. FIG. 2 is a side view of the coupling; and, FIG. 3 is an end view of the coupling. The broken lines showing portions of the coupling are for illustrative purposes only and form no part of the claimed design.

1 Claim, 2 Drawing Sheets



(56)

References Cited

U.S. PATENT DOCUMENTS

7,063,357	B1 *	6/2006	Bay	F16L 13/147 285/246
7,185,674	B2 *	3/2007	Taylor	A62B 9/02 128/202.27
7,213,845	B2	5/2007	Sato		
7,469,472	B2	12/2008	deCler et al.		
7,547,047	B2	6/2009	deCler et al.		
7,568,737	B2 *	8/2009	Wells	F16L 15/008 285/34
D608,424	S *	1/2010	Katsuta	D23/266
7,708,029	B2	5/2010	Kitagawa et al.		
7,980,599	B2 *	7/2011	Schindel	F16L 37/28 285/277
D648,008	S *	11/2011	Percoco	D23/262
8,201,853	B2	6/2012	Tiberghien et al.		
8,870,235	B2 *	10/2014	Turk	F16L 19/061 285/249
9,157,560	B2 *	10/2015	Rehder	F16L 37/0841
D758,555	S *	6/2016	Van Dyke	D23/262
2010/0051129	A1	3/2010	Kitagawa		
2013/0092271	A1 *	4/2013	Downs	F16L 37/0841 137/798
2014/0261819	A1	9/2014	Vranish		
2015/0090915	A1	4/2015	Vranish		

OTHER PUBLICATIONS

International Preliminary Report on Patentability in Application No. PCT/US2014/027397, dated Sep. 15, 2015, 6 pages.

* cited by examiner

FIG. 1

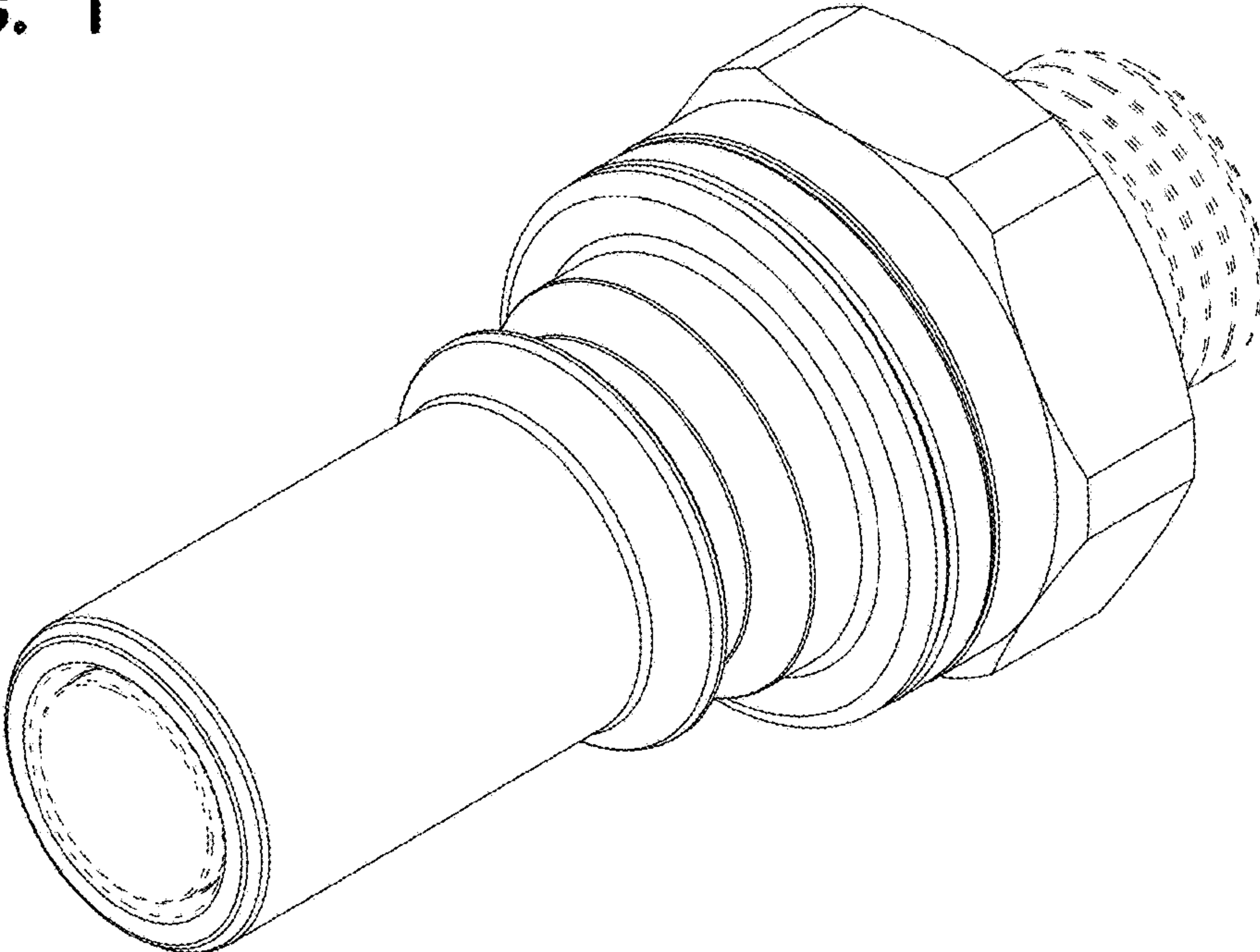


FIG. 2

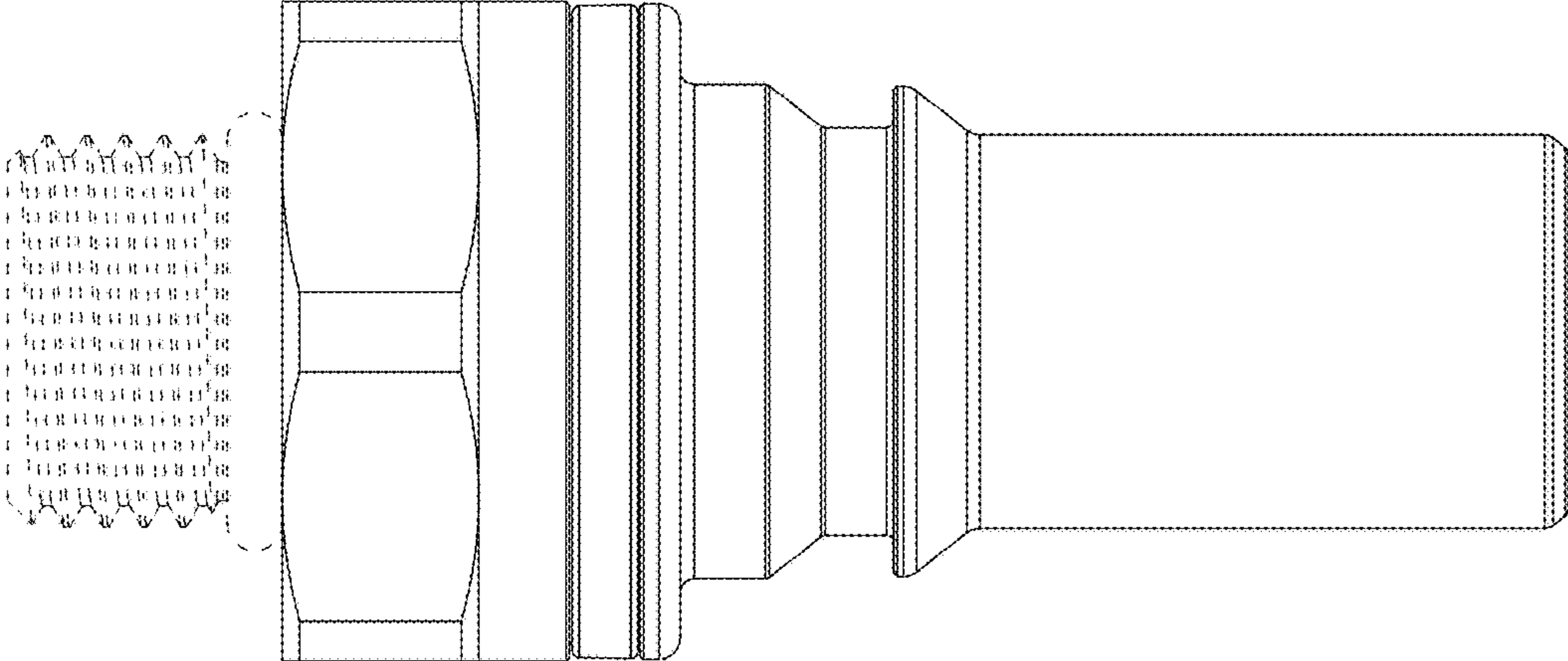


FIG. 3

