



US00D830523S

(12) **United States Design Patent** (10) **Patent No.:** **US D830,523 S**
Vranish (45) **Date of Patent:** **** Oct. 9, 2018**

(54) COUPLING	4,447,040 A	5/1984	Magorian
	4,892,117 A	1/1990	Spalink
(71) Applicant: Colder Products Company , St. Paul, MN (US)	5,018,352 A	5/1991	Compton
	5,104,158 A	4/1992	Meyer et al.
	5,316,041 A	5/1994	Ramacier, Jr. et al.
(72) Inventor: David J. Vranish , New Hope, MN (US)	5,494,074 A *	2/1996	Ramacier, Jr. F16L 37/0841 137/614.04
	5,546,985 A	8/1996	Bartholomew
	5,709,243 A	1/1998	Wells et al.
(73) Assignee: Colder Products Company , St. Paul, MN (US)	5,911,403 A	6/1999	deCler et al.
	5,938,244 A	8/1999	Meyer
	5,975,489 A	11/1999	deCler et al.
(**) Term: 15 Years	6,024,124 A	2/2000	Braun et al.
	6,082,401 A	7/2000	Braun et al.
(21) Appl. No.: 29/592,835	6,176,263 B1	1/2001	Lacroix et al.
	6,328,348 B1	12/2001	Cornford et al.
	6,681,803 B2	1/2004	Taneya et al.
(22) Filed: Feb. 2, 2017	7,213,845 B2	5/2007	Sato

(Continued)

Related U.S. Application Data

(63) Continuation of application No. 14/567,254, filed on Dec. 11, 2014, which is a continuation-in-part of application No. 14/212,322, filed on Mar. 14, 2014.

(51) **LOC (11) Cl.** **23-01**

(52) **U.S. Cl.**
USPC **D23/262**; D24/112

(58) **Field of Classification Search**
USPC D23/259-266; D24/129, 112; D8/382, D8/396; 251/149.6-149.9, 149.1, 149; 285/245, 246, 249, 322, 248, 251, 253; 137/614, 614.02-614.06; D29/129; D32/25, 32
CPC F16L 37/0841; F16L 37/35; F16L 37/34; F16L 37/142; F16L 37/413; F16L 37/30; F16L 37/44; F16L 37/36; F16L 37/32; F16L 27/073

See application file for complete search history.

(56) **References Cited**

U.S. PATENT DOCUMENTS

3,334,659 A 8/1967 Magorien
4,327,770 A 5/1982 Brown et al.

OTHER PUBLICATIONS

International Search Report and Written Opinion for PCT/US2014/027937 dated Jul. 8, 2014.

(Continued)

Primary Examiner — Eric L Goodman
Assistant Examiner — Amy C Wierenga
(74) *Attorney, Agent, or Firm* — Fish & Richardson P.C.

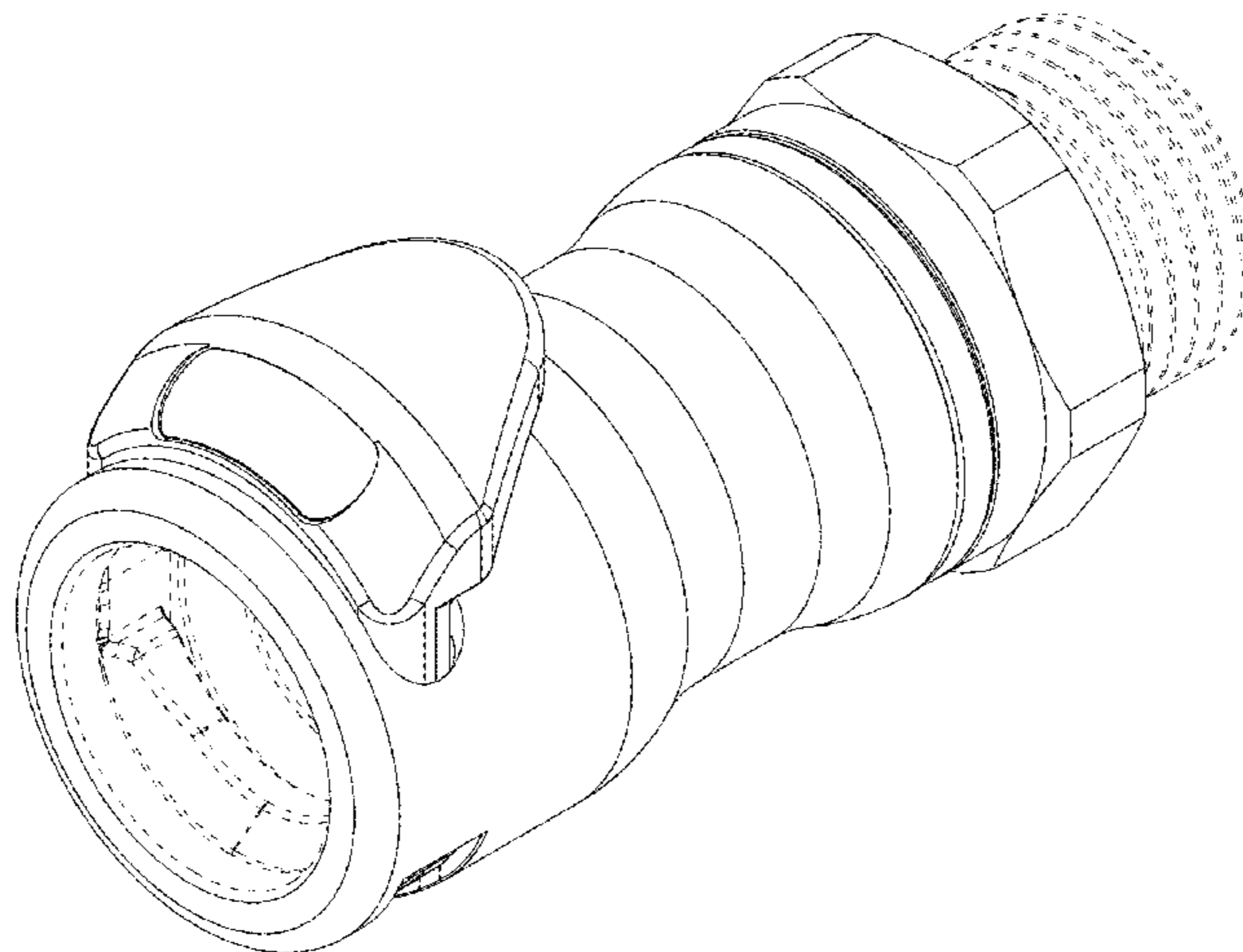
(57) **CLAIM**

The ornamental design for a coupling, as shown and described.

DESCRIPTION

FIG. 1 is perspective view of the coupling. FIG. 2 is a side view of the coupling; and, FIG. 3 is an end view of the coupling. The broken lines shown in the drawings illustrate portions of the coupling that form no part of the claimed design.

1 Claim, 3 Drawing Sheets



(56)

References Cited

U.S. PATENT DOCUMENTS

7,469,472 B2 * 12/2008 deCler F16L 37/0841
264/279

7,547,047 B2 6/2009 deCler et al.

D610,760 S * 2/2010 Zugen D32/31

7,708,029 B2 5/2010 Kitagawa et al.

D654,573 S * 2/2012 Lombardi D23/262

8,201,853 B2 6/2012 Tiberghien et al.

D679,784 S * 4/2013 Meyer D23/262

D687,528 S * 8/2013 Meyer D23/262

8,764,068 B2 * 7/2014 Frick F16L 37/0841
285/308

D752,721 S * 3/2016 Wildfang D23/262

D788,890 S * 6/2017 Downs F16L 37/0841
D23/262

9,689,516 B2 * 6/2017 Frick F16L 37/0845

2005/0001425 A1 * 1/2005 deCler F16L 37/0841
285/305

2010/0019487 A1* 1/2010 deCler F16L 37/0841
285/308

2010/0051129 A1 3/2010 Kitagawa

2013/0092271 A1* 4/2013 Downs F16L 37/0841
137/798

2014/0060675 A1* 3/2014 Wilhelm A45F 3/00
137/561 R

2014/0261819 A1 9/2014 Vranish

2015/0090915 A1 4/2015 Vranish

2015/0267851 A1* 9/2015 Aoki F16L 37/44
251/149.1

OTHER PUBLICATIONS

International Preliminary Report on Patentability in Application No.
PCT/US2014/027397, dated Sep. 15, 2015, 6 pages.

* cited by examiner

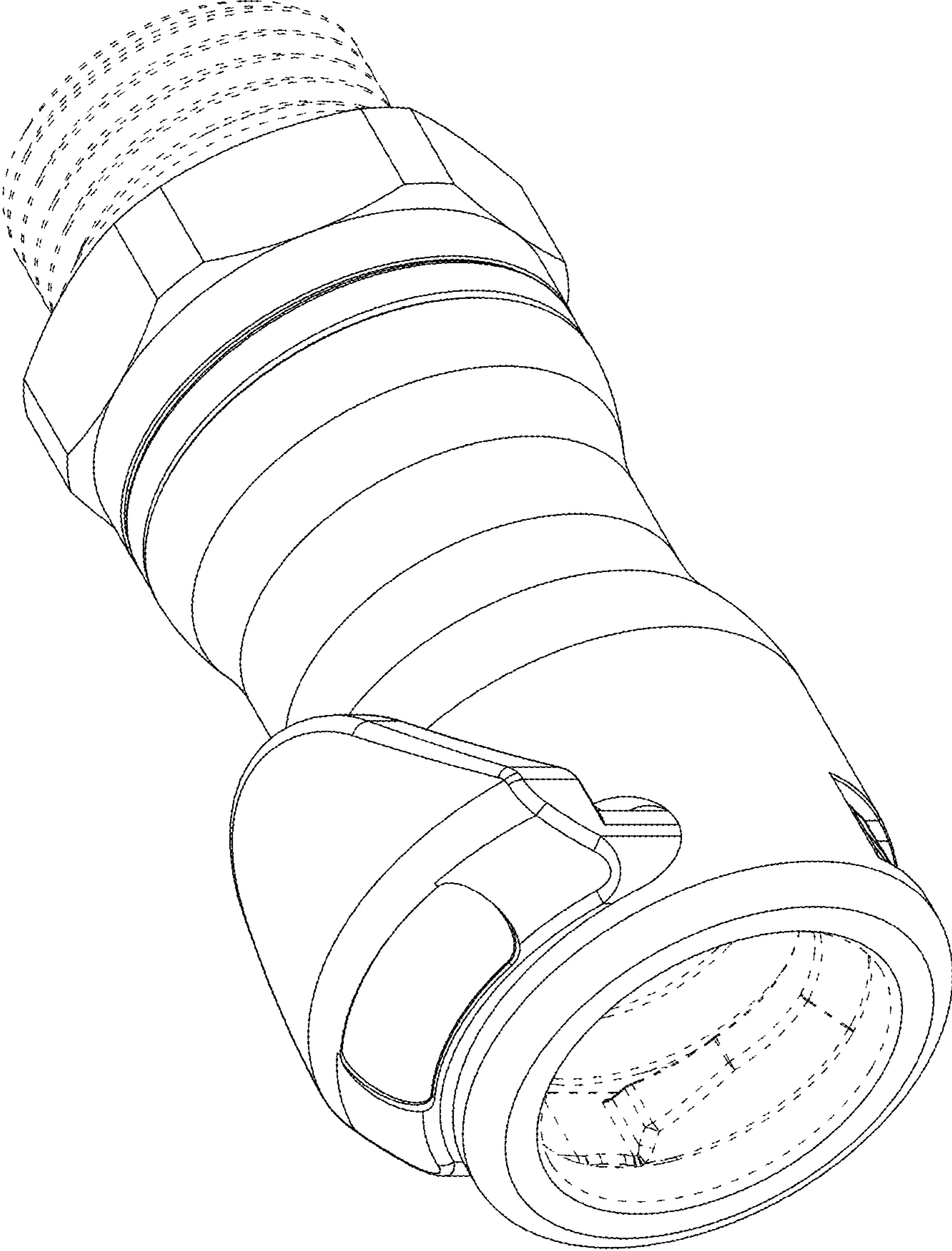


FIG. 1

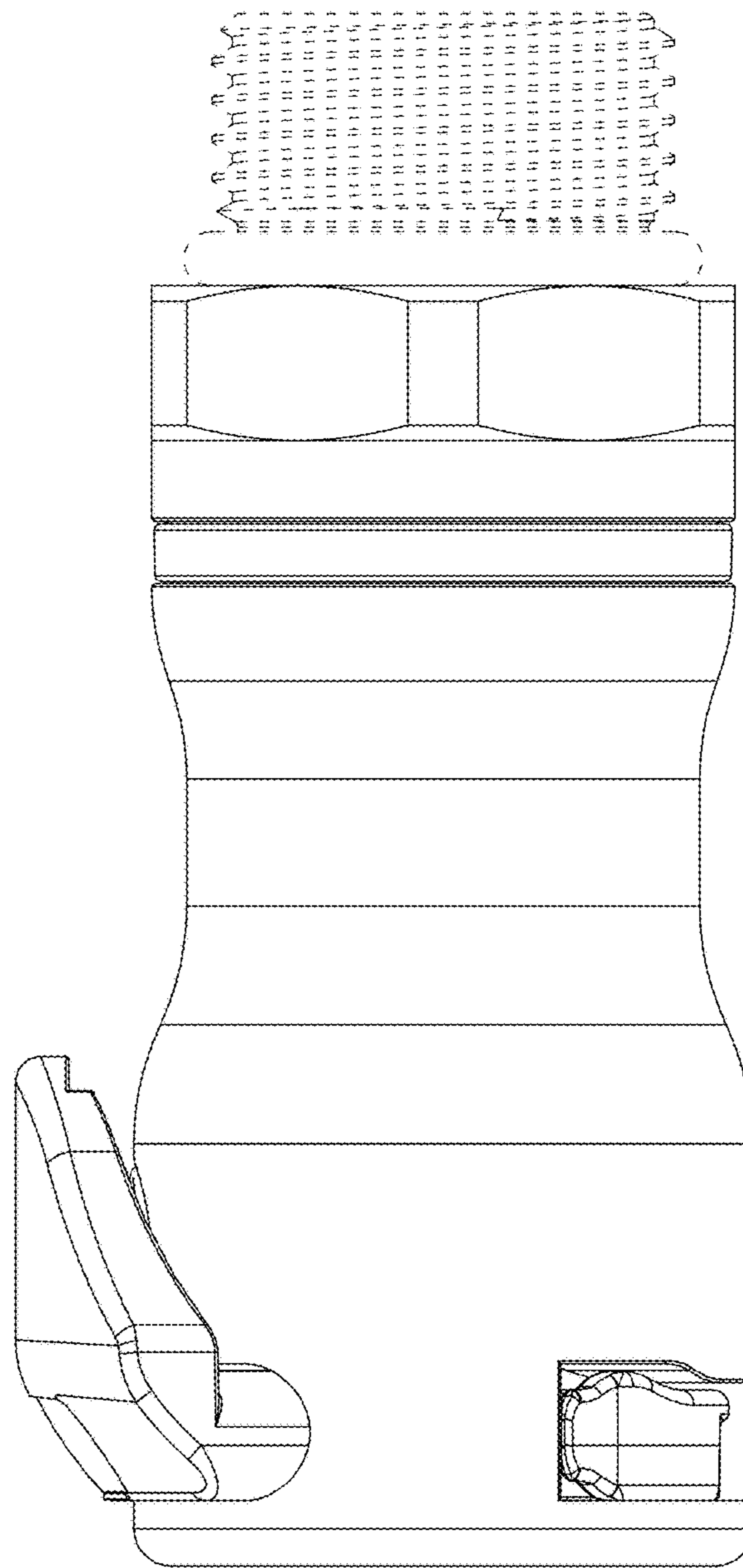


FIG. 2

FIG. 3

