



US00D830522S

(12) **United States Design Patent**
Di Liberto

(10) **Patent No.:** **US D830,522 S**

(45) **Date of Patent:** **** Oct. 9, 2018**

(54) **PIPE FITTING**

(71) Applicant: **Pipes & Fittings EQOfuids S.L.**,
Gandia (Valencia) (ES)

(72) Inventor: **Luca Di Liberto**, Genoa (IT)

(73) Assignee: **PIPES & FITTINGS EQOFLUIDS S.L.**, Gandia (Valencia) (ES)

(**) Term: **15 Years**

(21) Appl. No.: **29/603,651**

(22) Filed: **May 11, 2017**

(51) **LOC (11) Cl.** **23-01**

(52) **U.S. Cl.**
USPC **D23/259**

(58) **Field of Classification Search**
USPC D23/259–260, 262–266; 285/56, 189,
285/194, 286.1, 15, 180–181, 197, 205,
285/206, 11, 12, 86, 89, 90, 92, 147, 148,
285/149.4, 149.6, 152, 155, 366, 368,
285/406, 410, 412, 415; 403/290, 343,
403/344, 44, 46, 57, 300, 296, 314
CPC F16L 5/027; F16L 5/10; F16L 23/0283;
F16L 55/00; F16L 21/02; F16L 21/06;
F16L 55/18; F16L 15/22; E03D 11/00;
F16J 1/005; F16J 15/22

See application file for complete search history.

(56) **References Cited**

U.S. PATENT DOCUMENTS

D238,876 S * 2/1976 Andersson D23/262
D247,182 S * 2/1978 Ebert D23/262

D383,053 S * 9/1997 Schrader D23/262
D439,637 S * 3/2001 Davies D23/262
D599,894 S * 9/2009 Price D23/262
D615,164 S * 5/2010 Zeyfang D23/260
D616,966 S * 6/2010 Angell D23/262
D637,697 S * 5/2011 Steiner D23/262
D651,291 S * 12/2011 Liebson D23/262
D674,058 S * 1/2013 Yu D23/262
D677,766 S * 3/2013 Chen D23/262
D710,485 S * 8/2014 Nudo D23/262
D756,494 S * 5/2016 Gledhill D23/262

* cited by examiner

Primary Examiner — Eric L Goodman

Assistant Examiner — Amy C Wierenga

(74) *Attorney, Agent, or Firm* — Richard M. Goldberg

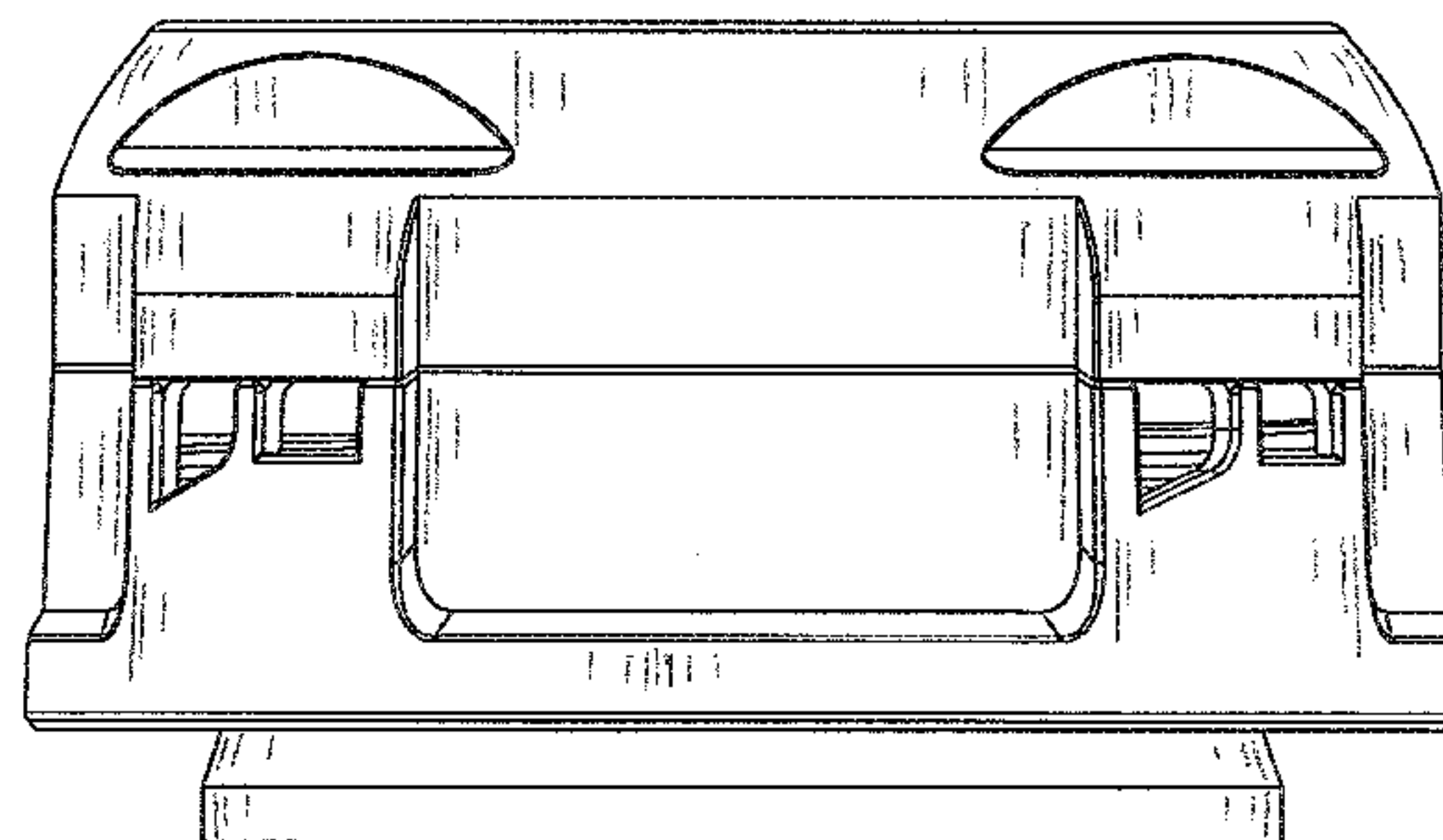
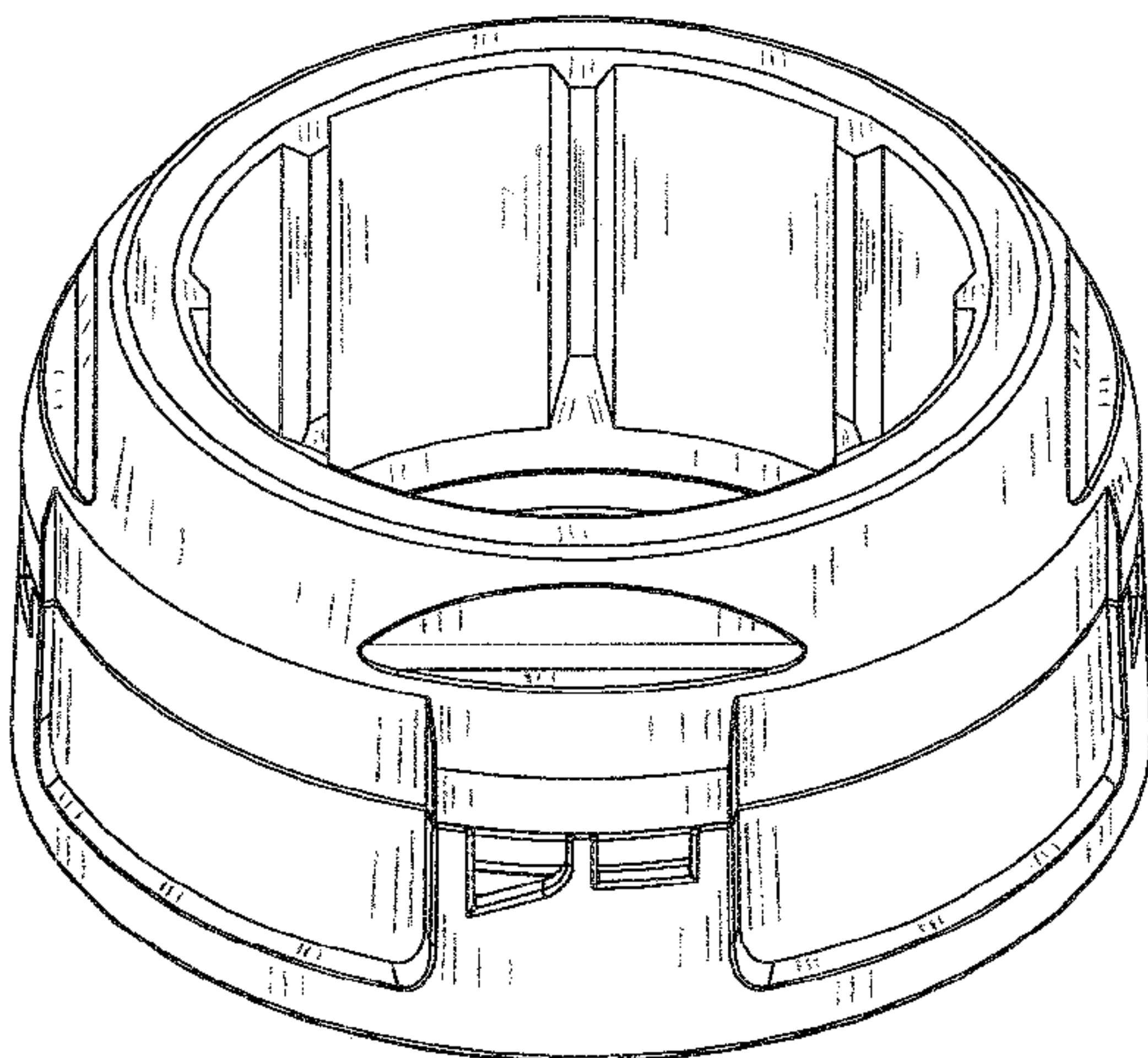
(57) **CLAIM**

The ornamental design for a pipe fitting, as shown and described.

DESCRIPTION

FIG. 1 is an isometric view of the pipe fitting according to the present invention;
FIG. 2 is a front elevational view thereof, with the left and rear elevational views being the same;
FIG. 3 is a right side elevational view thereof;
FIG. 4 is a top plan view thereof;
FIG. 5 is a bottom plan view thereof; and,
FIG. 6 is a cross-sectional view taken along line 6-6 in FIG. 4.

1 Claim, 6 Drawing Sheets



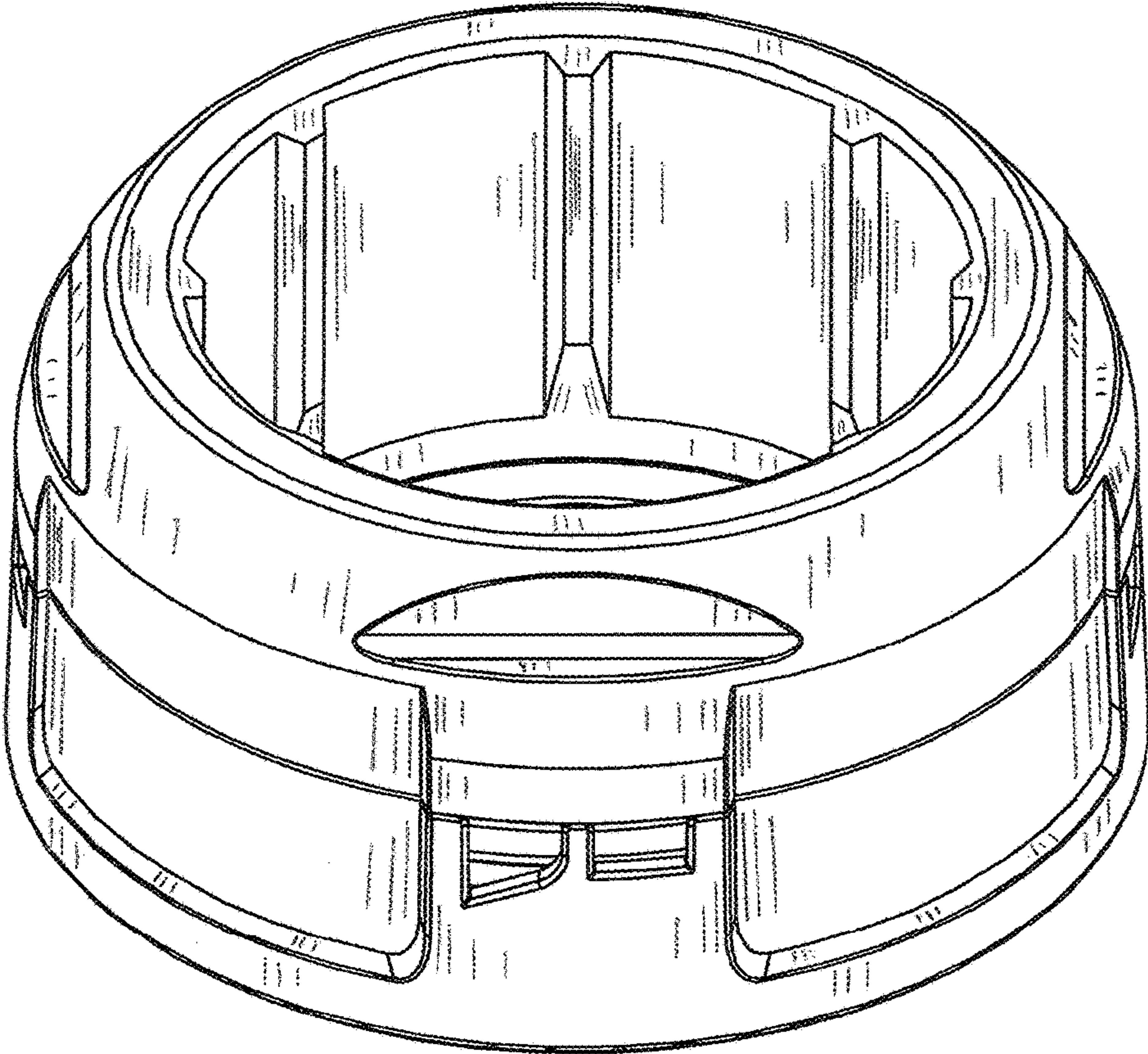


FIG. 1

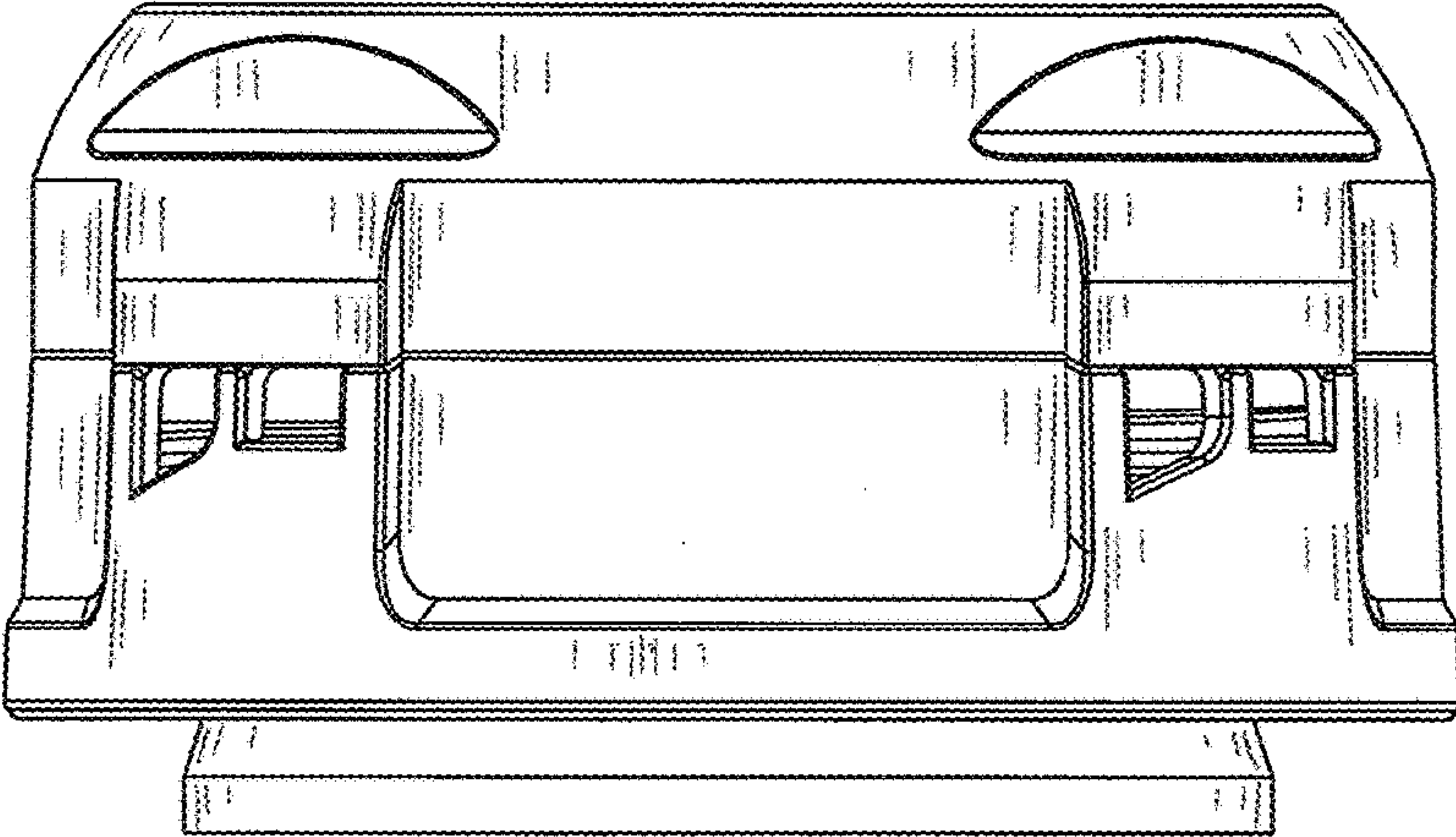


FIG. 2

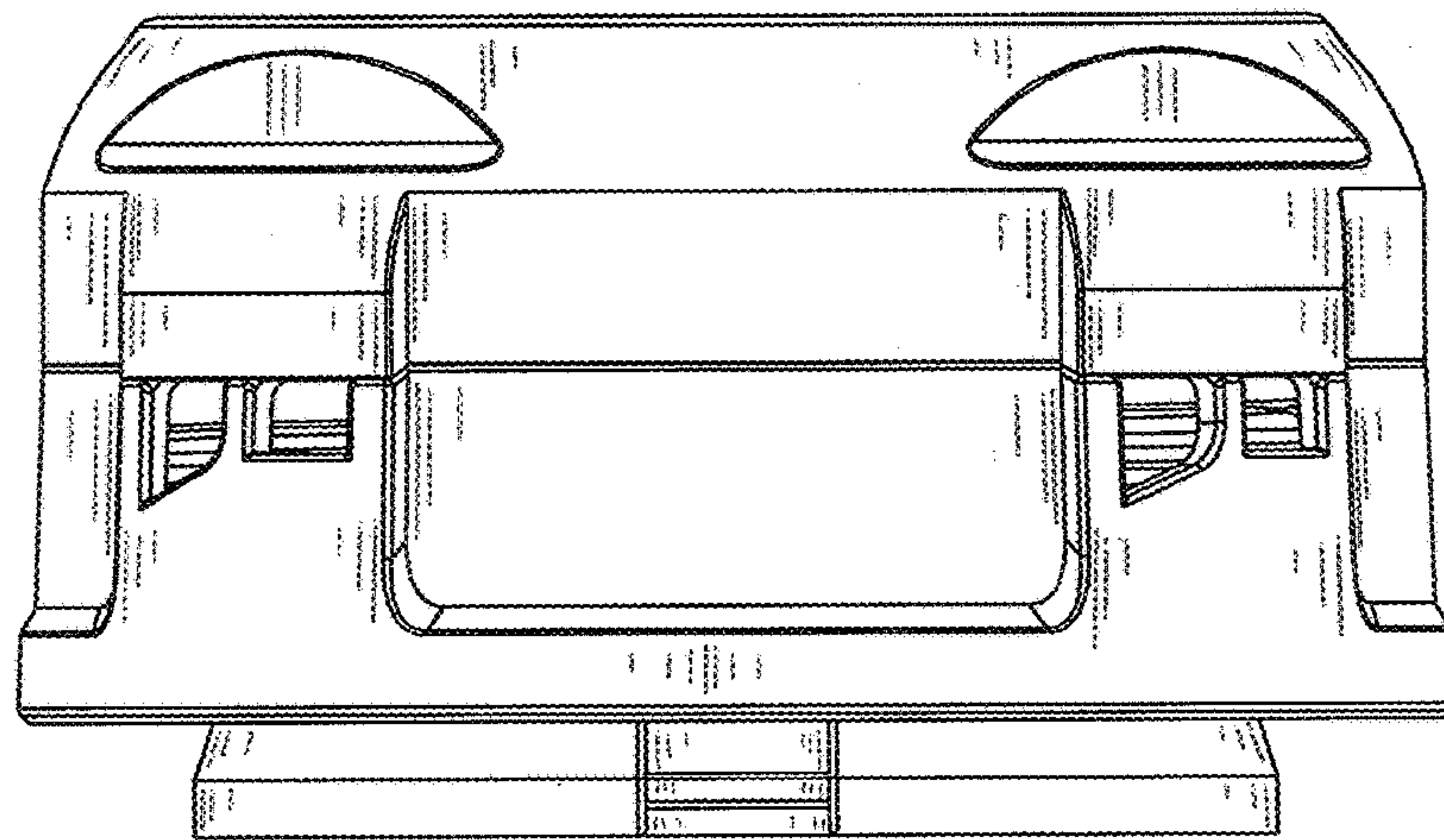


FIG. 3

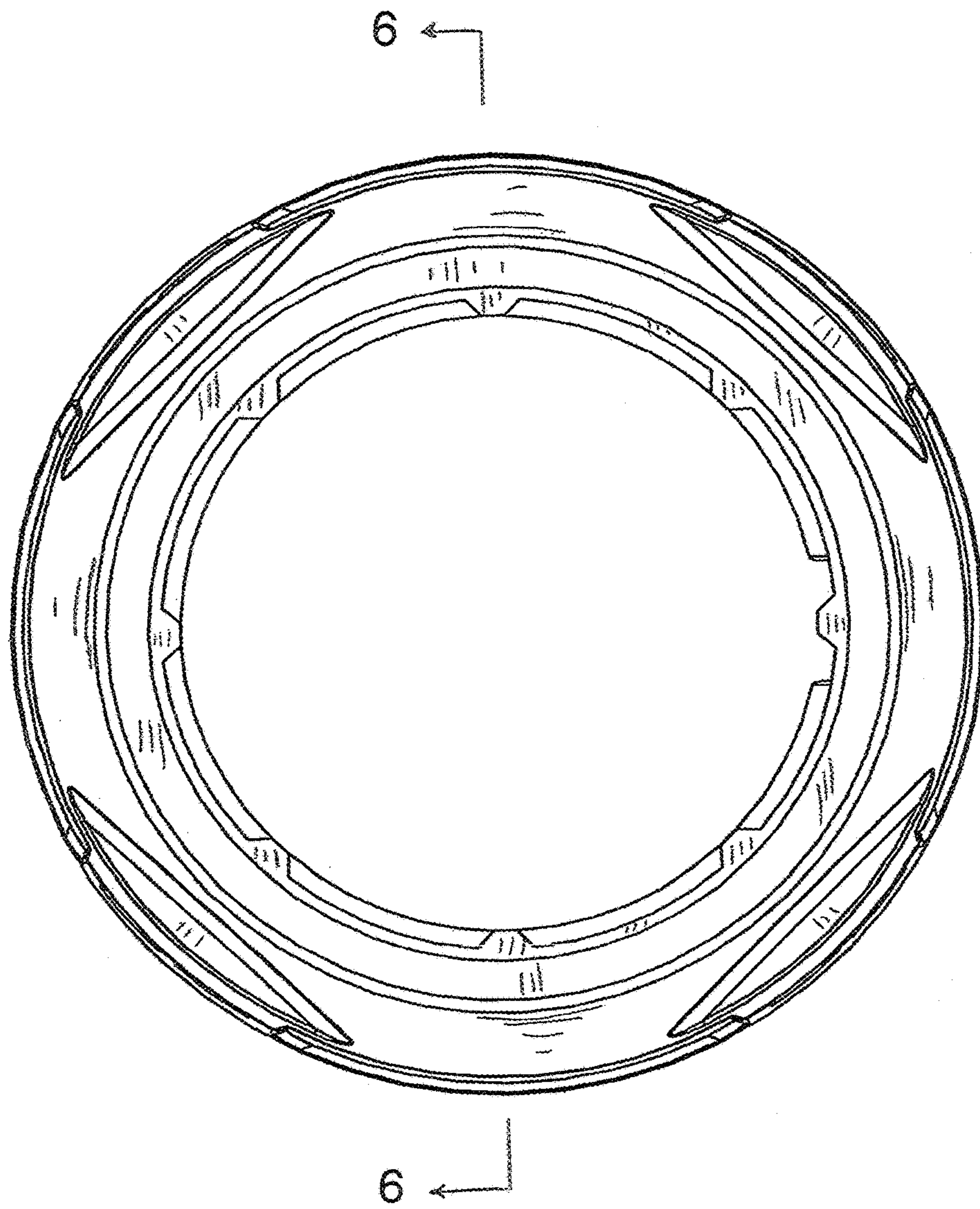


FIG. 4

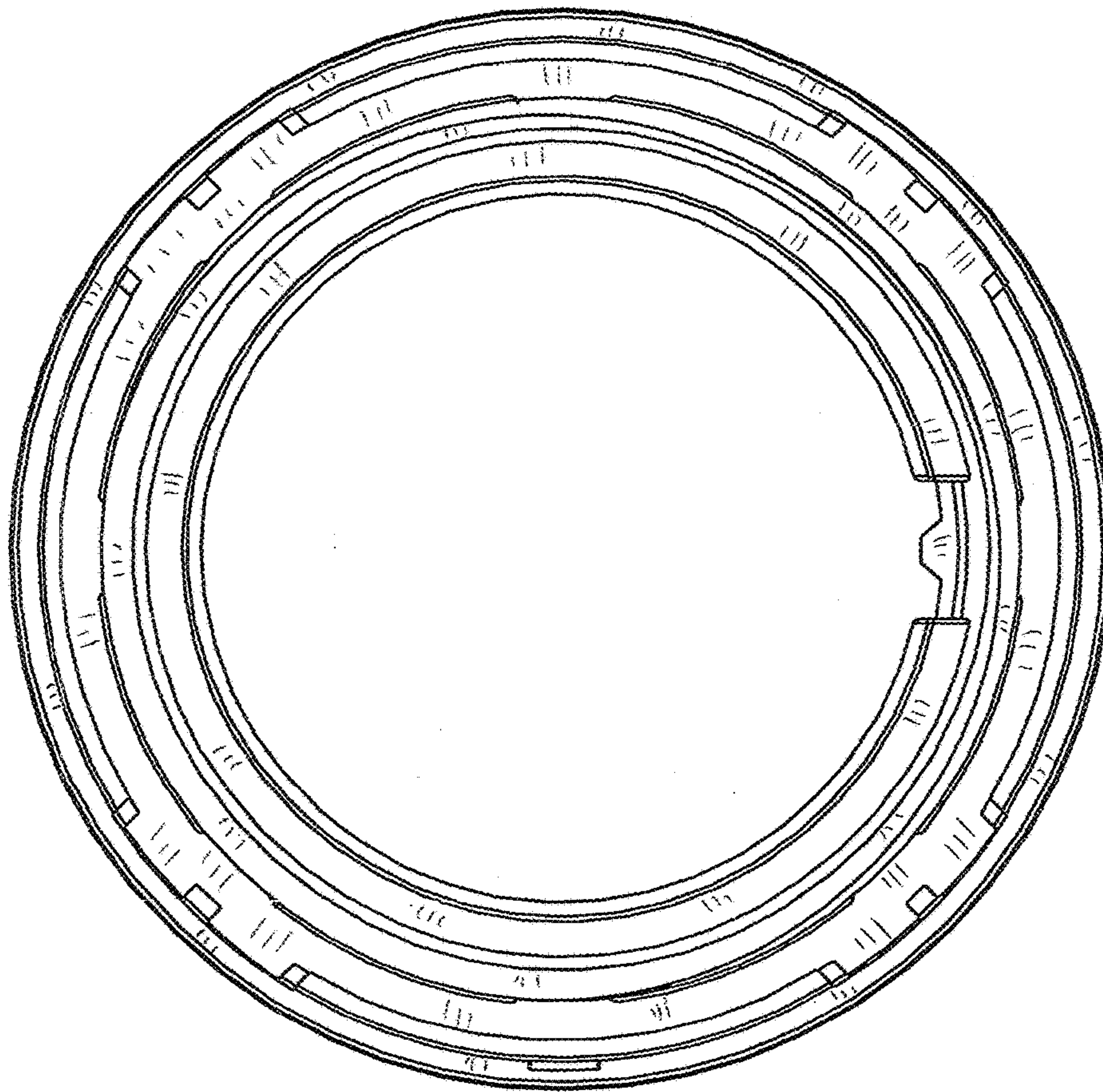


FIG. 5

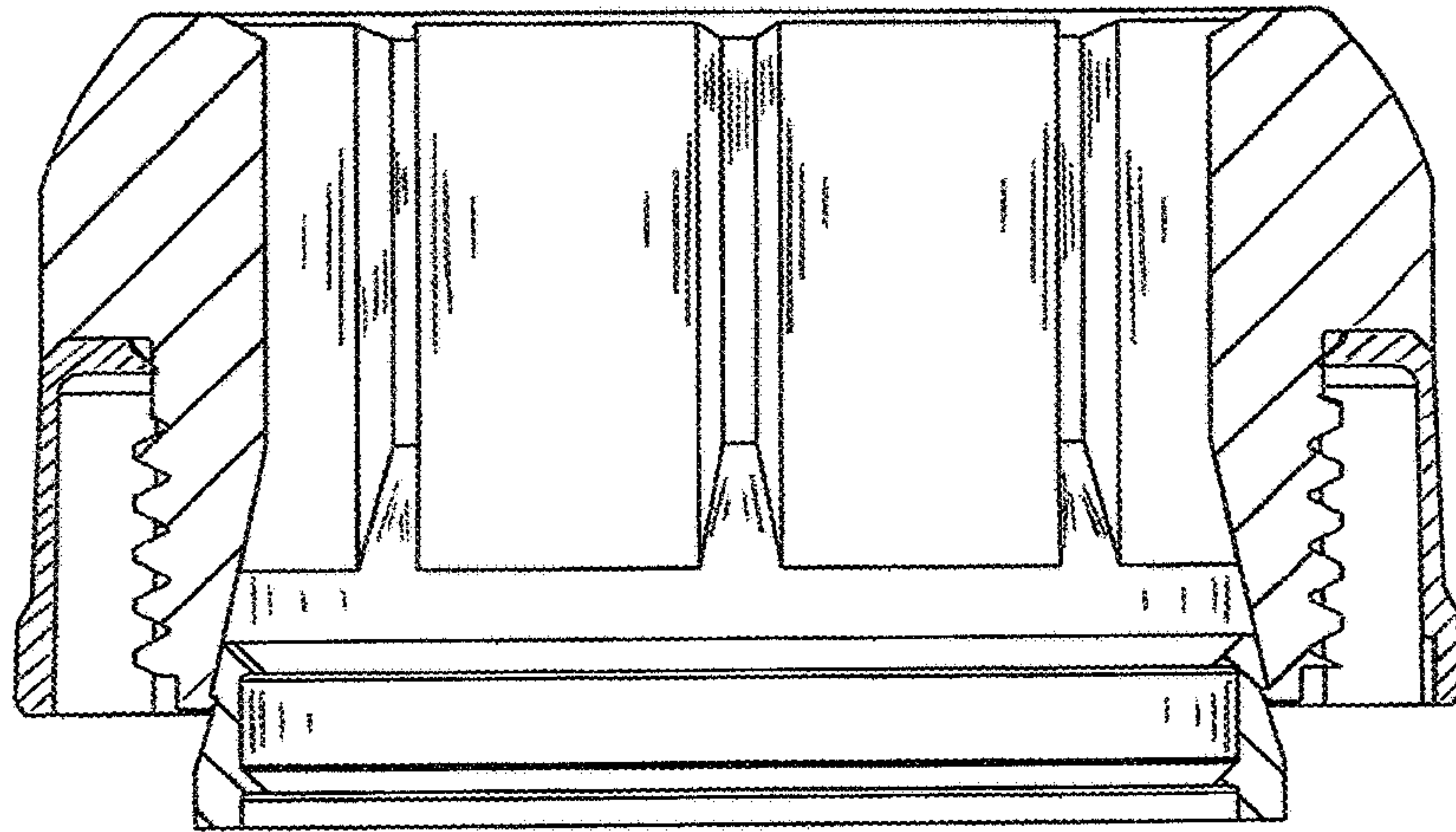


FIG. 6