

US00D830521S

(12) **United States Design Patent** (10) **Patent No.:** **US D830,521 S**
Kirar et al. (45) **Date of Patent:** **** Oct. 9, 2018**

(54) **HANDLE**
(71) Applicant: **Kohler Co.**, Kohler, WI (US)
(72) Inventors: **Laura K. Kirar**, Miami Beach, FL (US); **William C. McKeone**, Sheboygan, WI (US)
(73) Assignee: **KOHLER CO.**, Kohler, WI (US)
(**) Term: **15 Years**
(21) Appl. No.: **29/645,869**
(22) Filed: **Apr. 30, 2018**

D522,102 S 5/2006 Fritz
D524,140 S 7/2006 Kirar
D527,611 S 9/2006 Sato
D527,980 S 9/2006 Sato
D531,267 S 10/2006 Hundley
D532,866 S 11/2006 Kirar
D533,924 S 12/2006 Kirar
D545,663 S 7/2007 Sato
D564,634 S 3/2008 Kirar
D570,453 S 6/2008 Tsai
D579,525 S 10/2008 Zhang
D580,523 S 11/2008 Hanna
D581,025 S 11/2008 Schonherr
D585,525 S 1/2009 Ko
D619,872 S 7/2010 Singtoroj
D627,441 S 11/2010 Sedwick
D634,815 S 3/2011 Barry
D664,630 S 7/2012 Fritz
D666,277 S 8/2012 Schaefer
8,235,431 B2 8/2012 Williamson
D684,669 S 6/2013 Eilmus

Related U.S. Application Data

(62) Division of application No. 29/604,244, filed on May 16, 2017, now Pat. No. Des. 822,179, which is a division of application No. 29/540,144, filed on Sep. 21, 2015, now Pat. No. Des. 787,640.

(51) **LOC (11) Cl.** **23-01**
(52) **U.S. Cl.**
USPC **D23/252**
(58) **Field of Classification Search**
USPC D23/238-242, 249-252, 254; D8/300, D8/305, 307-308
CPC E03C 1/04; E03C 1/0401; E03C 1/0402; E03C 1/0404
See application file for complete search history.

(56) **References Cited**

U.S. PATENT DOCUMENTS

D270,642 S 9/1983 Watts
D318,904 S 8/1991 Hartkopf
D334,230 S 3/1993 Bonnell
D364,217 S 11/1995 Dubin
D384,401 S 9/1997 Doughty
5,813,708 A 9/1998 Shen
D509,126 S 9/2005 Vilallonga Kirovac
D513,791 S 1/2006 Kosasih

(Continued)

Primary Examiner — Robert A Delehanty

(74) *Attorney, Agent, or Firm* — Foley & Lardner LLP

(57) **CLAIM**

We claim the ornamental design for a handle, as shown and described.

DESCRIPTION

FIG. 1 is a perspective view of an embodiment of the claimed design;

FIG. 2 is a front view thereof;

FIG. 3 is a rear view thereof;

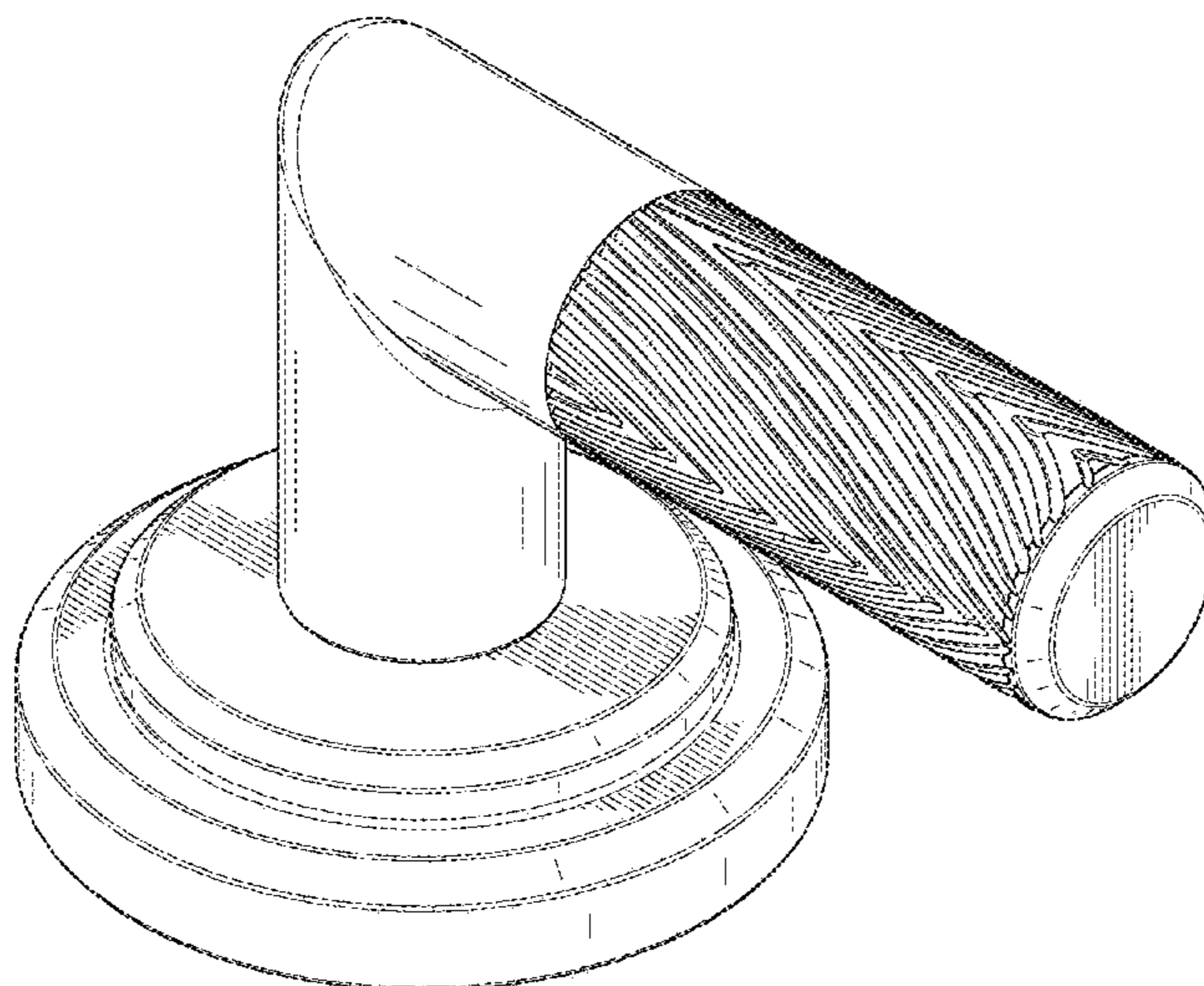
FIG. 4 is a side view thereof;

FIG. 5 is a top view thereof; and,

FIG. 6 is a bottom view thereof.

The ornamental design which is claimed is shown in solid lines in the drawings. The broken lines in the drawings form no part of the claimed design. Broken lines formed by equal length dashes show unclaimed subject matter.

1 Claim, 6 Drawing Sheets



(56)

References Cited

U.S. PATENT DOCUMENTS

D685,878 S	7/2013	Fritz
D698,220 S	1/2014	Watson
D699,970 S	2/2014	Sedwick
D714,912 S	10/2014	Barry
D738,468 S	9/2015	Bahler
D741,453 S	10/2015	Bahler
D745,359 S	12/2015	Sun
D752,163 S	3/2016	Eder
D755,604 S	5/2016	Harden
D772,684 S	11/2016	Zimmer
D785,436 S	5/2017	Carlino
D787,640 S	5/2017	Kirar
2010/0019516 A1	1/2010	Williamson
2016/0002954 A1	1/2016	Ali

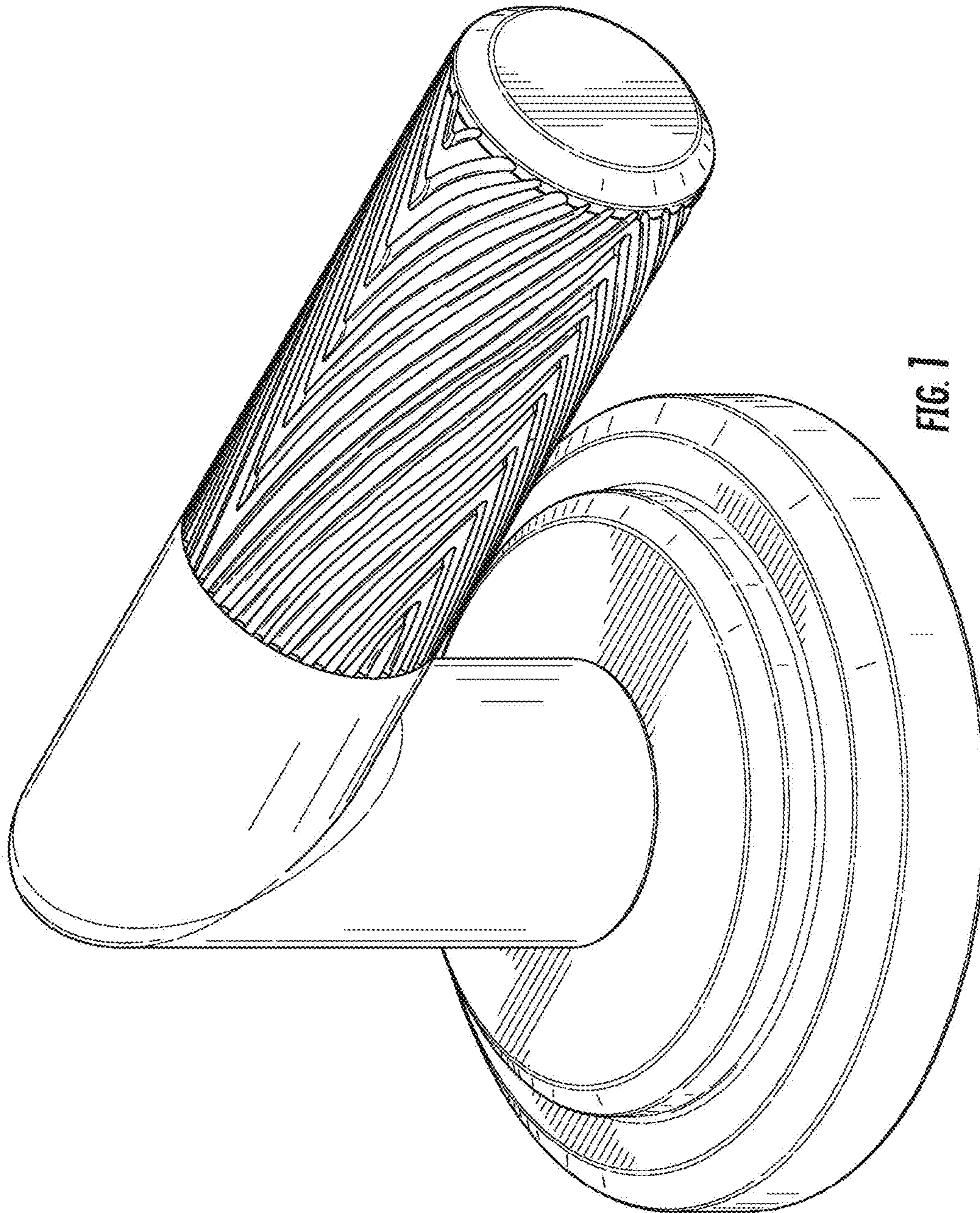


FIG. 1

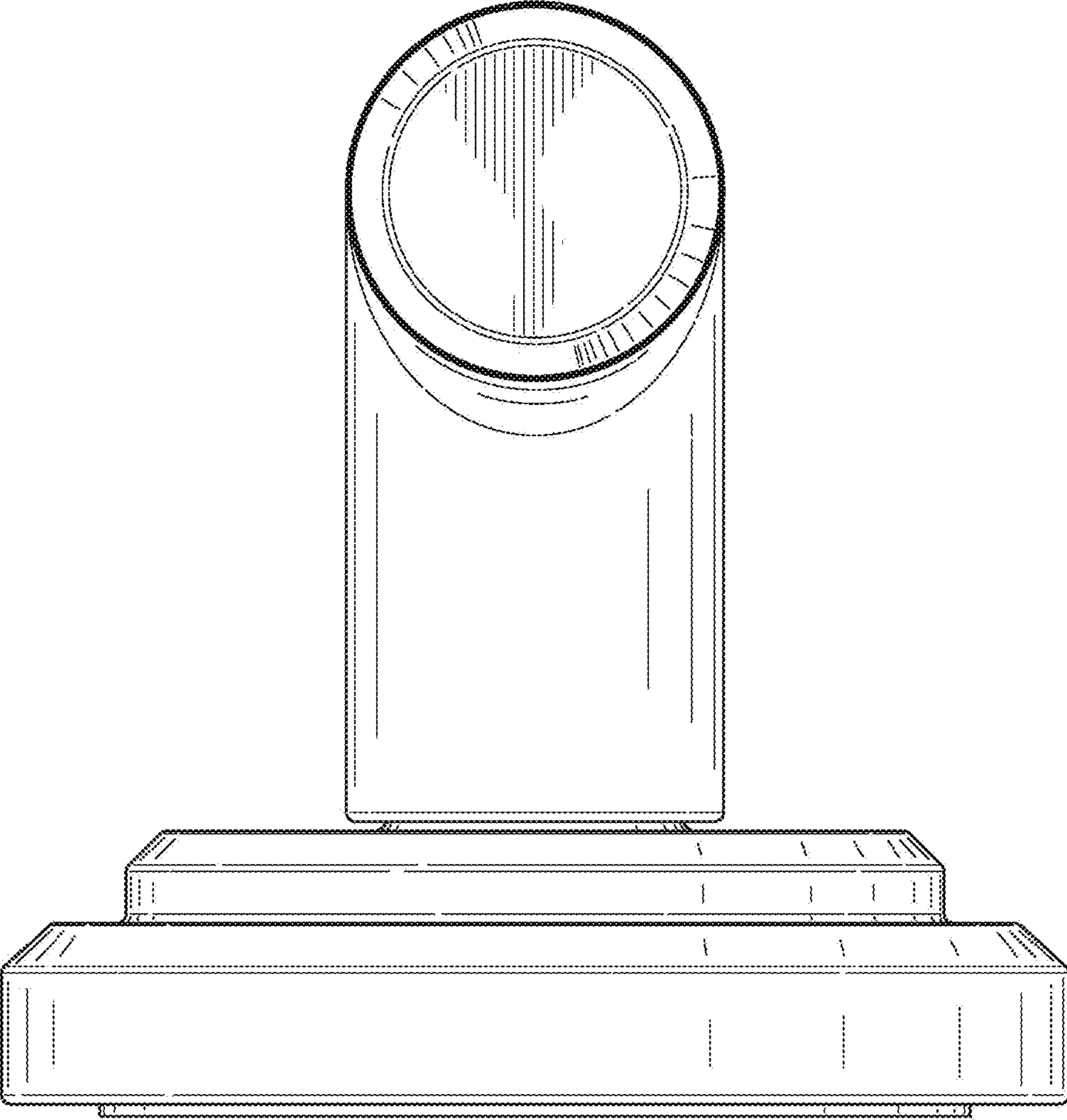


FIG. 2

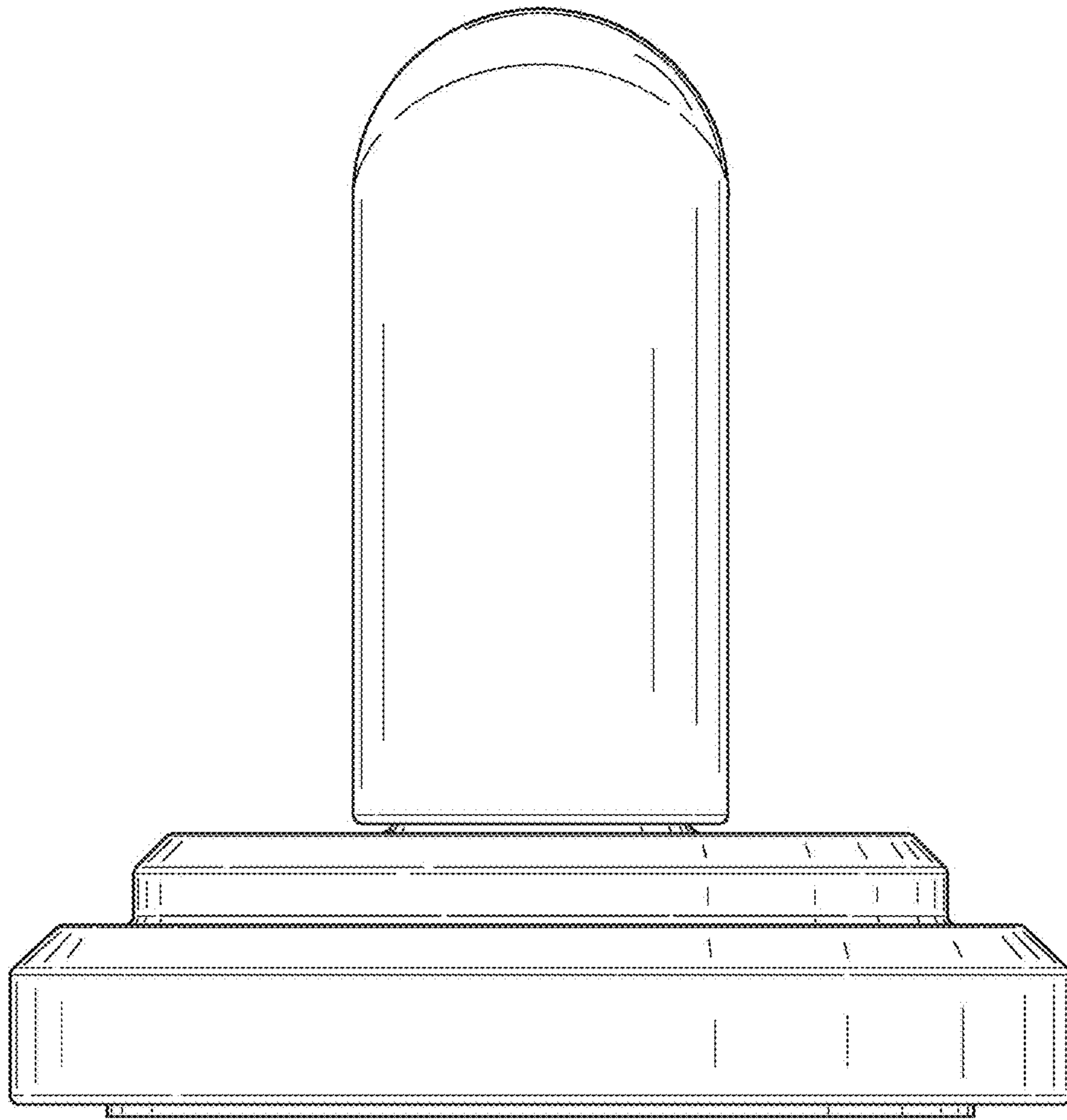


FIG. 3

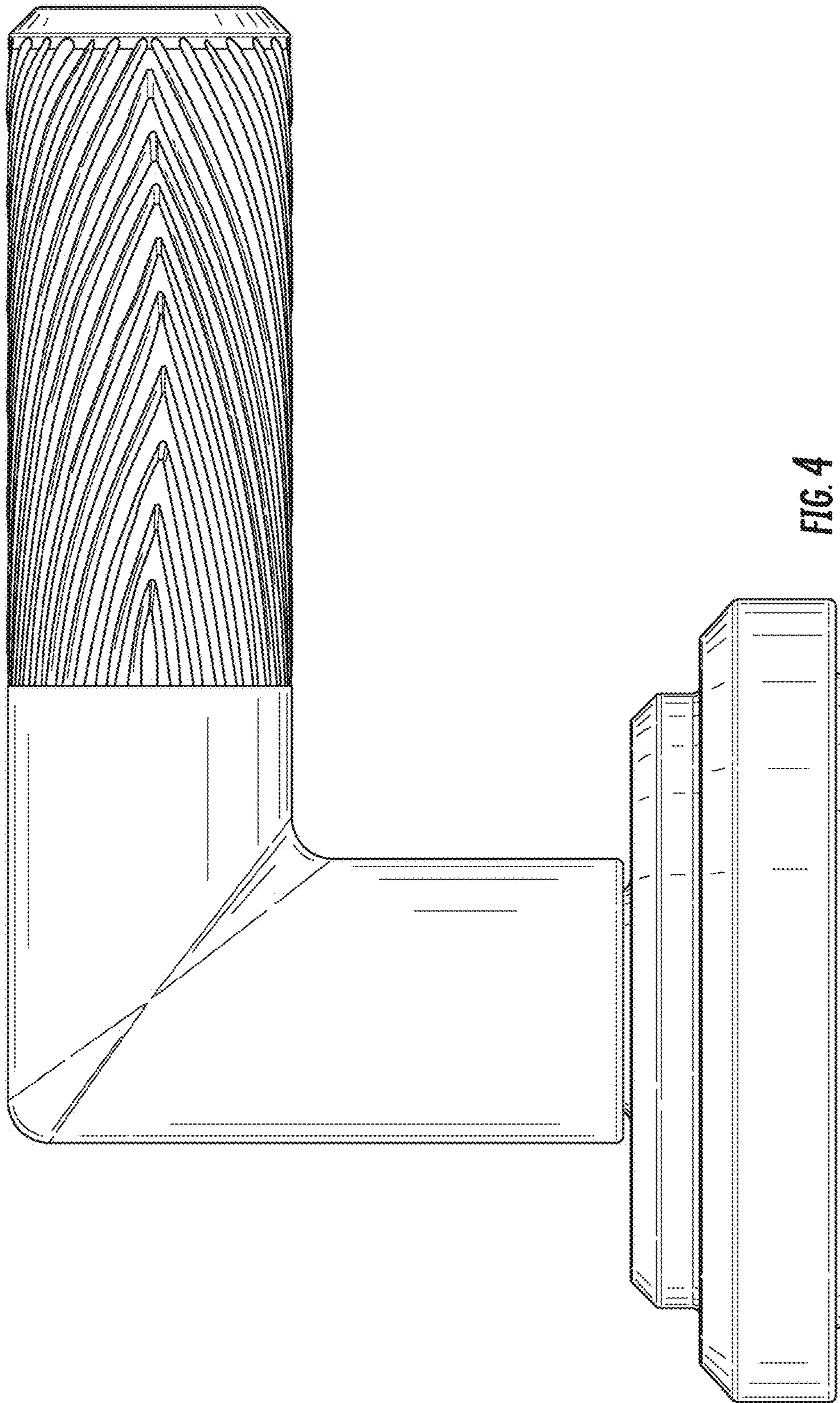


FIG. 4

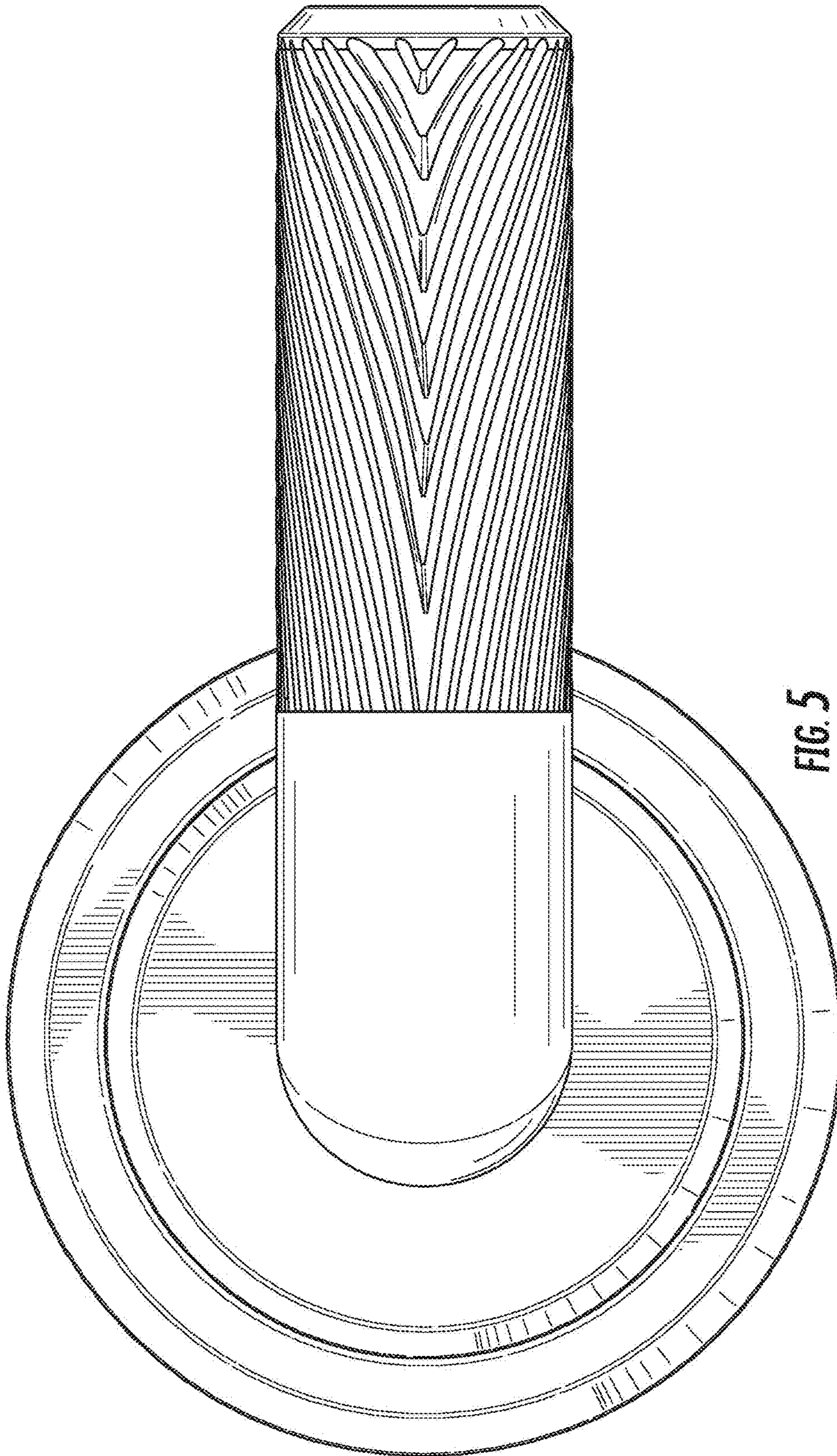


FIG. 5

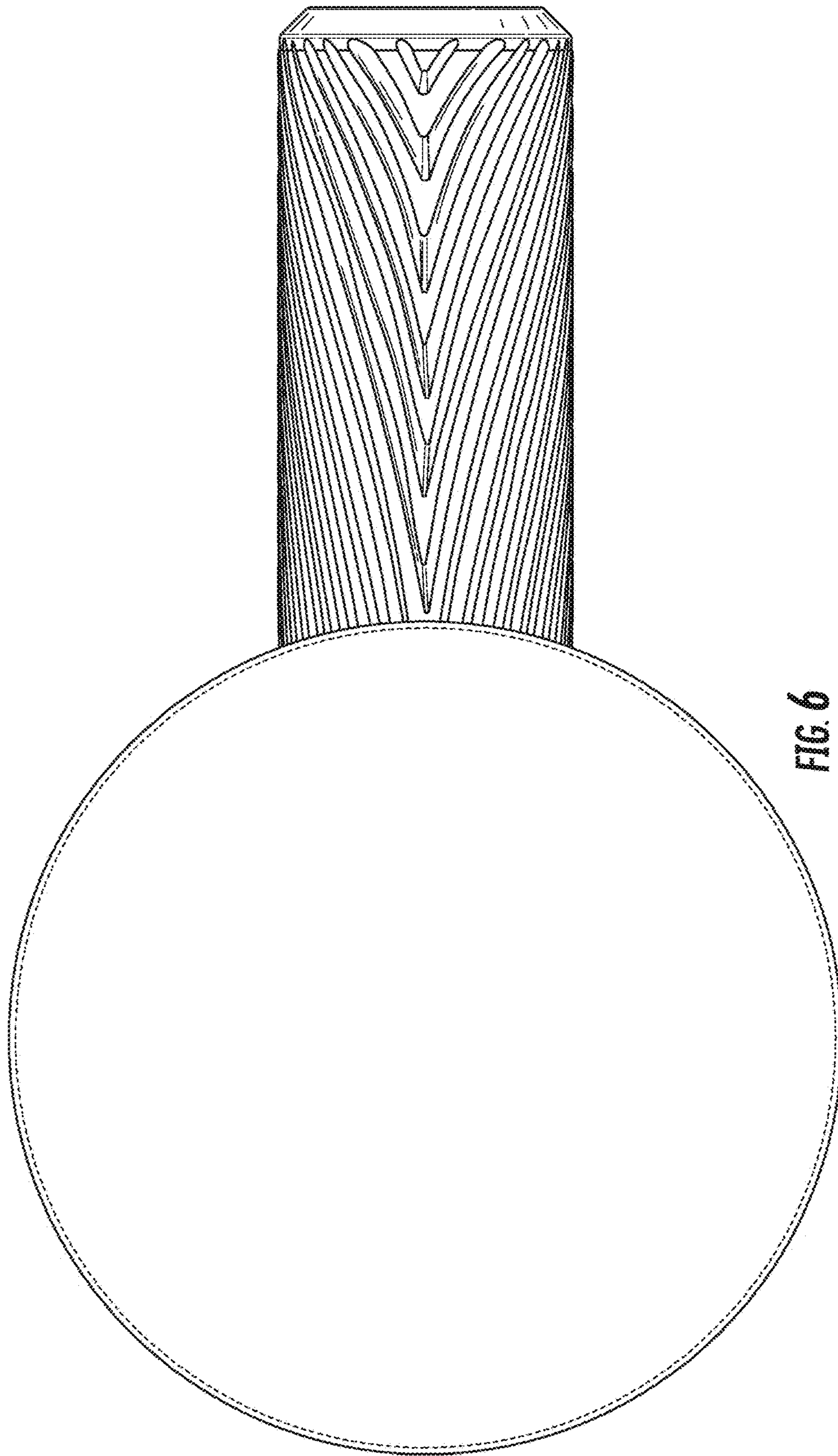


FIG. 6