



US00D830519S

(12) **United States Design Patent**
Ben Yaacov

(10) **Patent No.:** **US D830,519 S**

(45) **Date of Patent:** **** Oct. 9, 2018**

(54) **VALVE WITH FLANGES**

D437,917 S * 2/2001 Weingarten D23/244
D460,526 S * 7/2002 Weingarten D23/244
D617,878 S * 6/2010 Weingarten D23/234

(71) Applicant: **Dorot Management Control Valves Ltd.**, Hof Ashkelon (IL)

* cited by examiner

(72) Inventor: **Raz Ben Yaacov**, Hof Hacarmel (IL)

Primary Examiner — Cynthia Ramirez

(73) Assignee: **Dorot Management Control Valves, Ltd.**, Hof Ashkelon (IL)

Assistant Examiner — Gino Colan

(74) *Attorney, Agent, or Firm* — Edell, Shapiro & Finnan, LLC

(**) Term: **15 Years**

(57) **CLAIM**

(21) Appl. No.: **29/611,011**

The ornamental design for a valve with flanges, as shown and described.

(22) Filed: **Jul. 18, 2017**

DESCRIPTION

(30) **Foreign Application Priority Data**

Jan. 18, 2017 (EM) 003655133-0002

(51) **LOC (11) Cl.** **23-01**

(52) **U.S. Cl.**
USPC **D23/248**

(58) **Field of Classification Search**
USPC D23/233, 235, 237, 241, 243, 244, 247, 248, 249; 137/556, 219, 492, 137/629.14, 624.18; 251/61.1, 61.4, 251/335.3, 305, 332, 309, 315, 368
CPC F16K 5/0605; F16K 11/0716; F16K 31/0603; F16K 31/12
See application file for complete search history.

FIG. 1 is a front, right perspective view from above of a valve with flanges showing the new design;
FIG. 2 is a front, right perspective view from below of the valve with flanges of FIG. 1;
FIG. 3 is a right side elevation view of the valve with flanges of FIG. 1;
FIG. 4 is a left side elevation view of the valve with flanges of FIG. 1;
FIG. 5 is a front elevation view of the valve with flanges of FIG. 1;
FIG. 6 is a rear elevation view of the valve with flanges in FIG. 1;
FIG. 7 is a top plan view of the valve with flanges of FIG. 1; and,
FIG. 8 is a bottom plan view of the valve with flanges of FIG. 1.

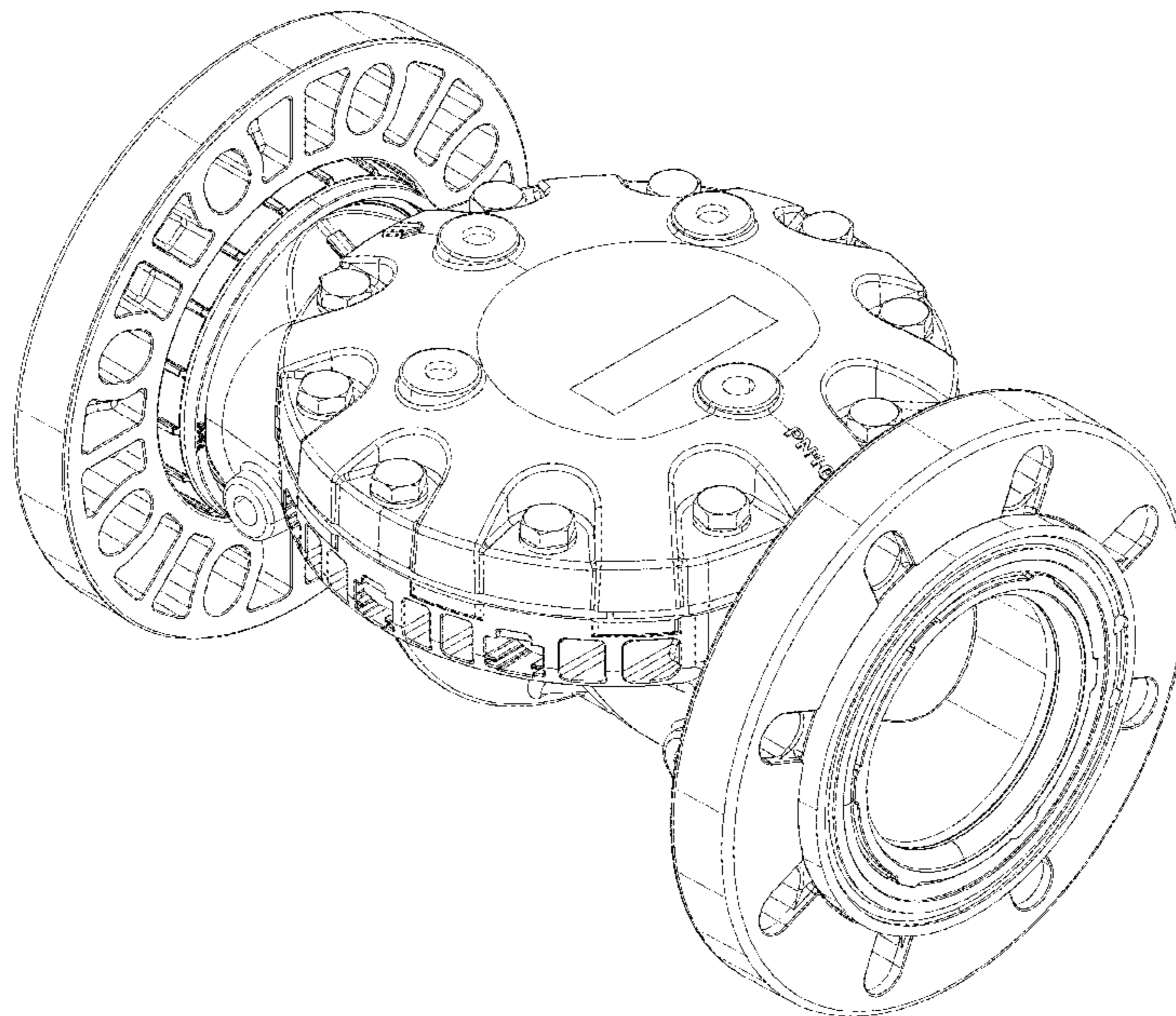
The broken lines shown in the figures are included for the purpose of illustrating portions of the valve with flanges and form no part of claimed design.

(56) **References Cited**

U.S. PATENT DOCUMENTS

D152,809 S * 2/1949 MacCauley D23/235
D213,104 S * 1/1969 Townsend D23/233
D335,331 S * 5/1993 Weingarten D23/248

1 Claim, 8 Drawing Sheets



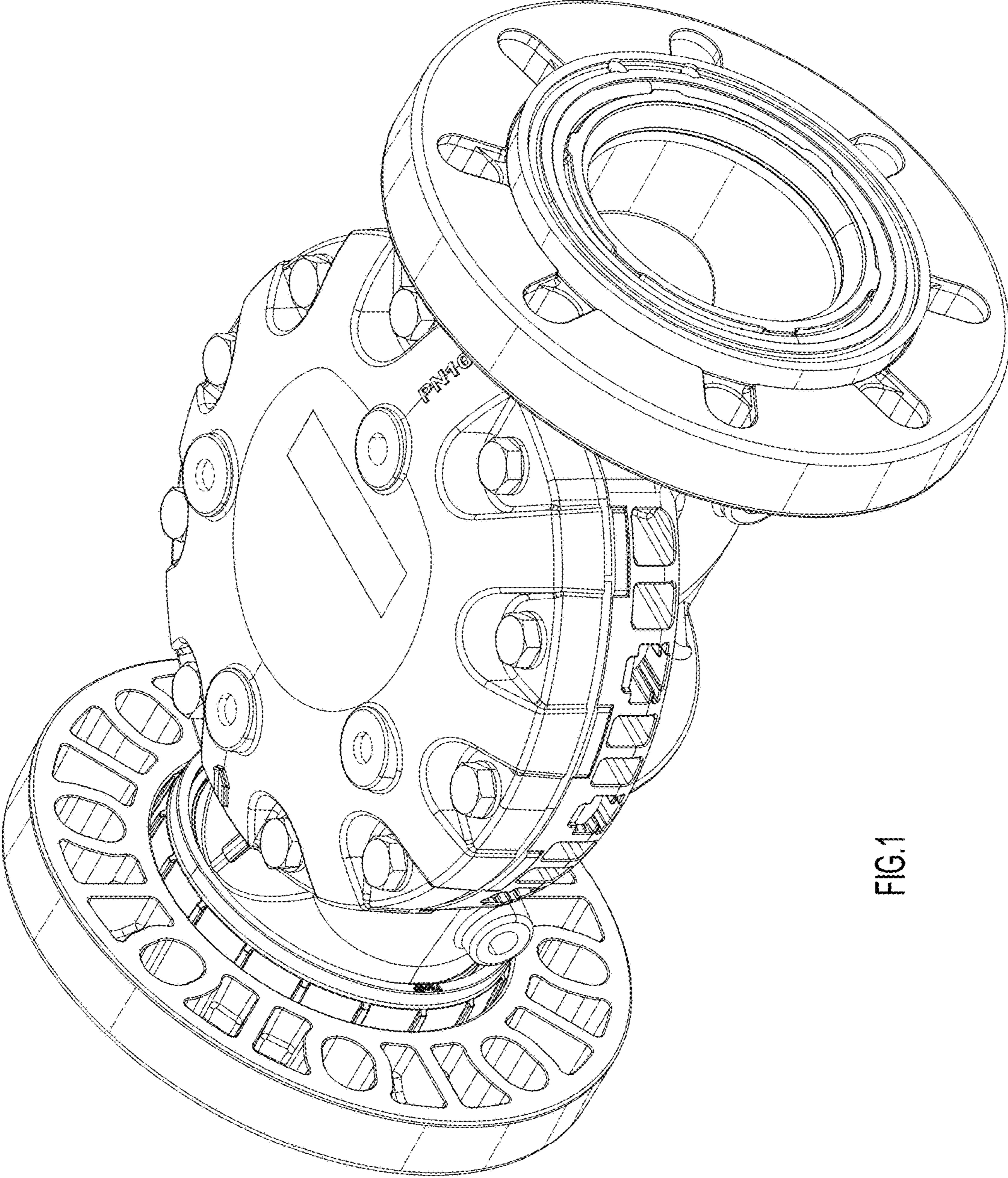


FIG.1

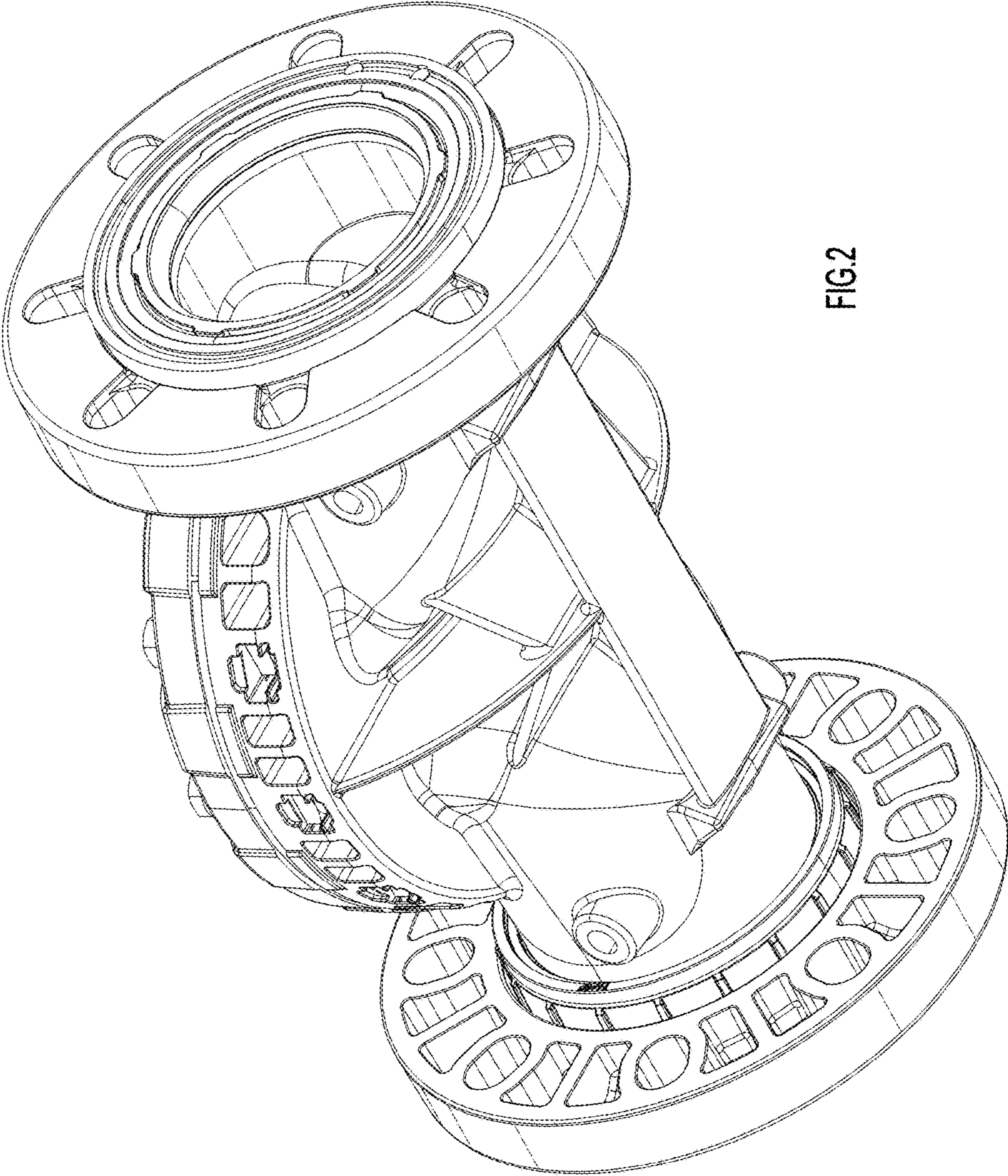


FIG.2

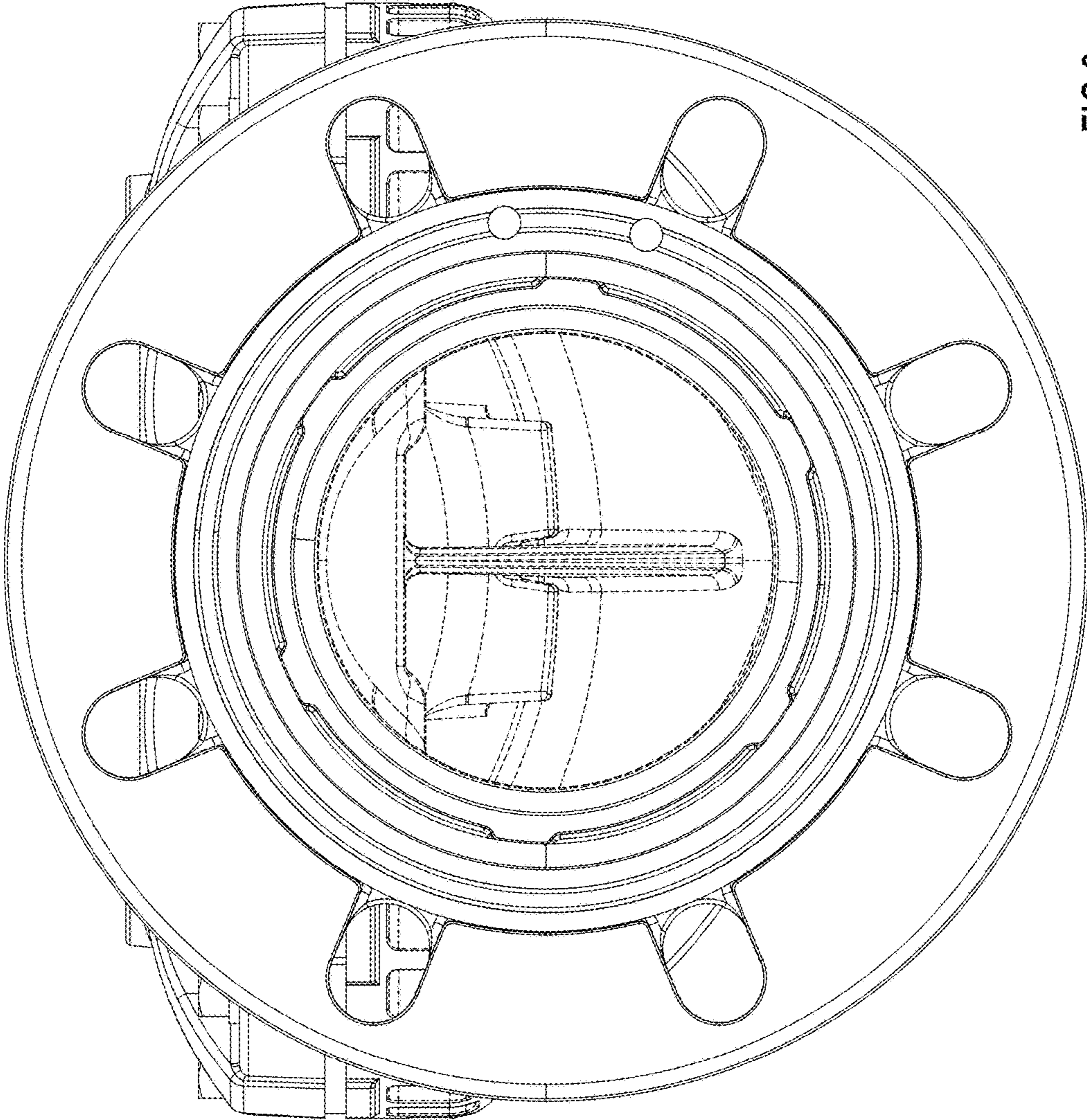


FIG.3

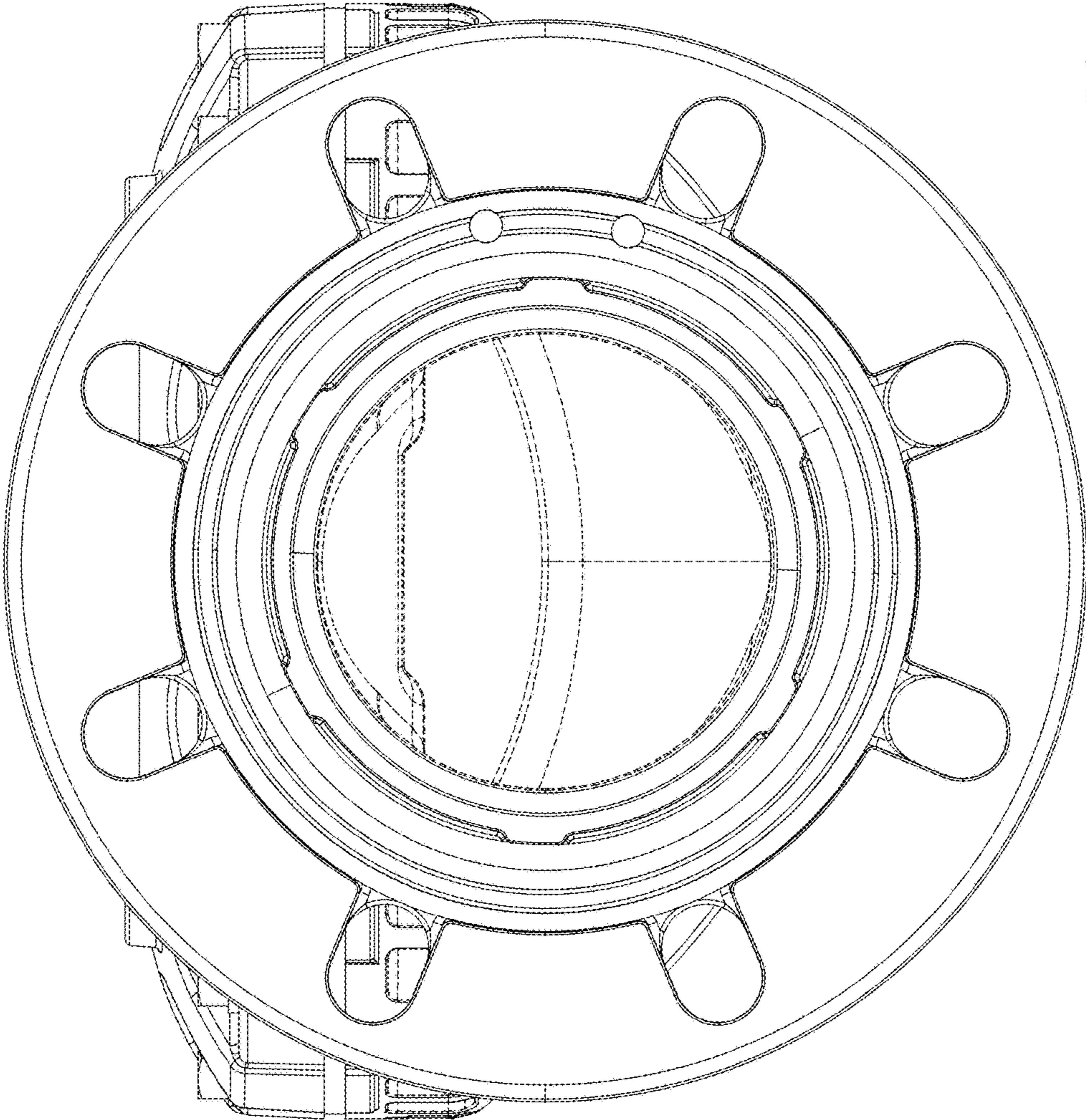


FIG. 4

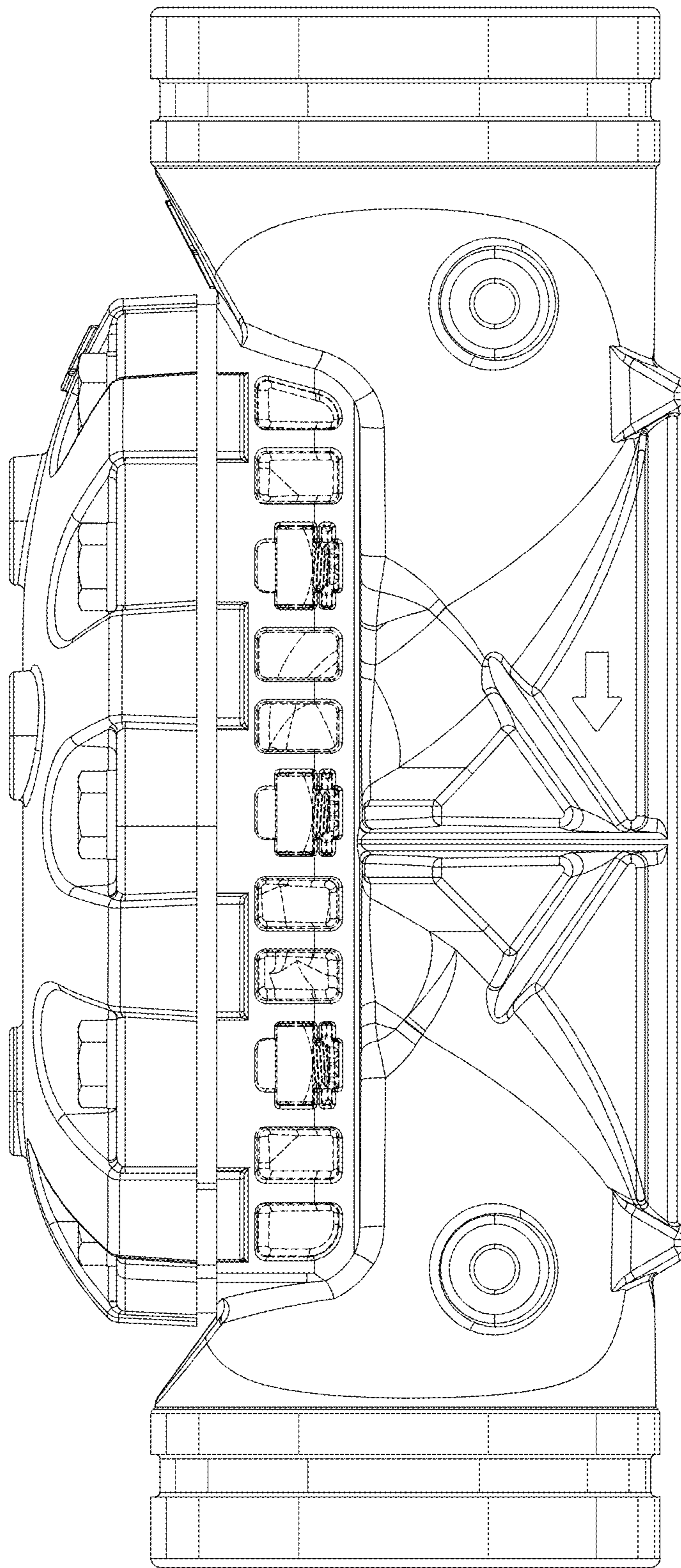


FIG.6

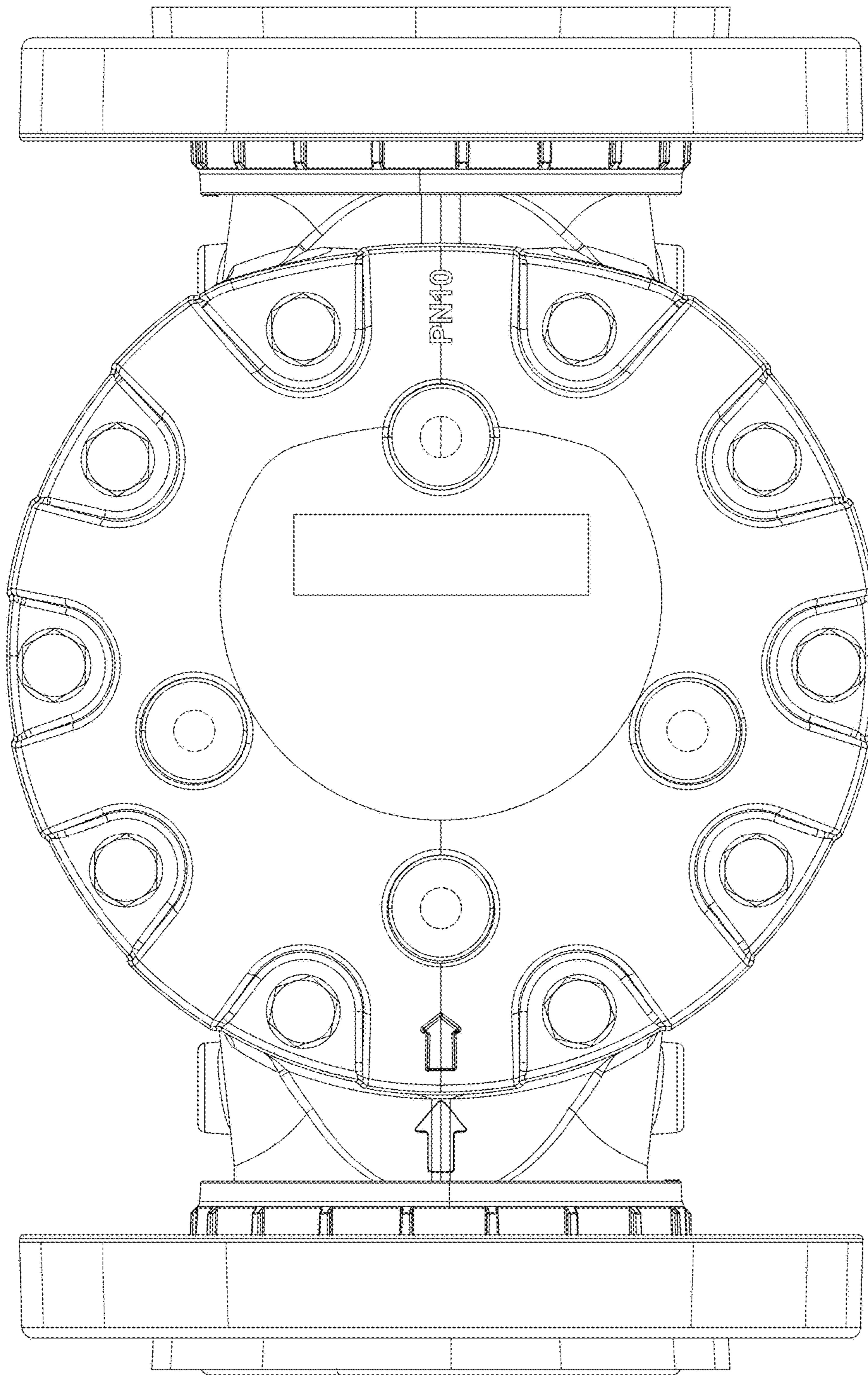


FIG. 7

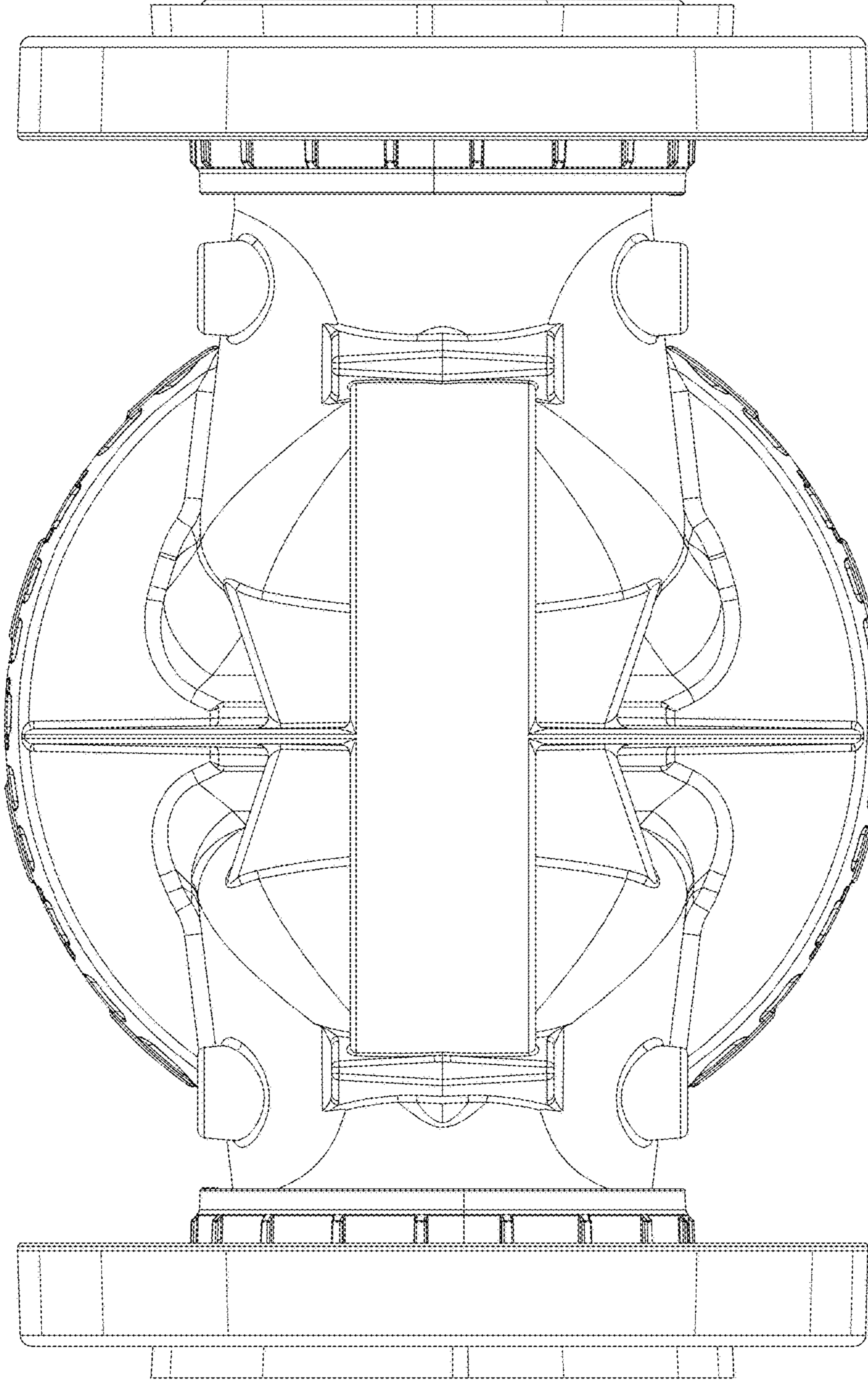


FIG.8