



US00D830516S

(12) **United States Design Patent**
Andrew

(10) **Patent No.:** **US D830,516 S**
(45) **Date of Patent:** **** Oct. 9, 2018**

- (54) **FAUCET**
- (71) Applicant: **DELTA FAUCET COMPANY**,
Indianapolis, IN (US)
- (72) Inventor: **Mercedita Andrew**, Bellevue, WA (US)
- (73) Assignee: **DELTA FAUCET COMPANY**,
Indianapolis, IN (US)
- (**) Term: **15 Years**
- (21) Appl. No.: **29/603,653**
- (22) Filed: **May 11, 2017**
- (51) **LOC (11) Cl.** **23-01**
- (52) **U.S. Cl.**
USPC **D23/238**
- (58) **Field of Classification Search**
USPC D23/238-242, 249, 250, 252, 254-255,
D23/257; D8/350, 353
CPC Y10T 137/9464
See application file for complete search history.

D778,407 S * 2/2017 Egli D23/238
D813,990 S * 3/2018 Schoenherr D23/242

* cited by examiner

Primary Examiner — Robert A Delehanty
(74) *Attorney, Agent, or Firm* — Edgar A. Zarins; Nirav D. Parikh

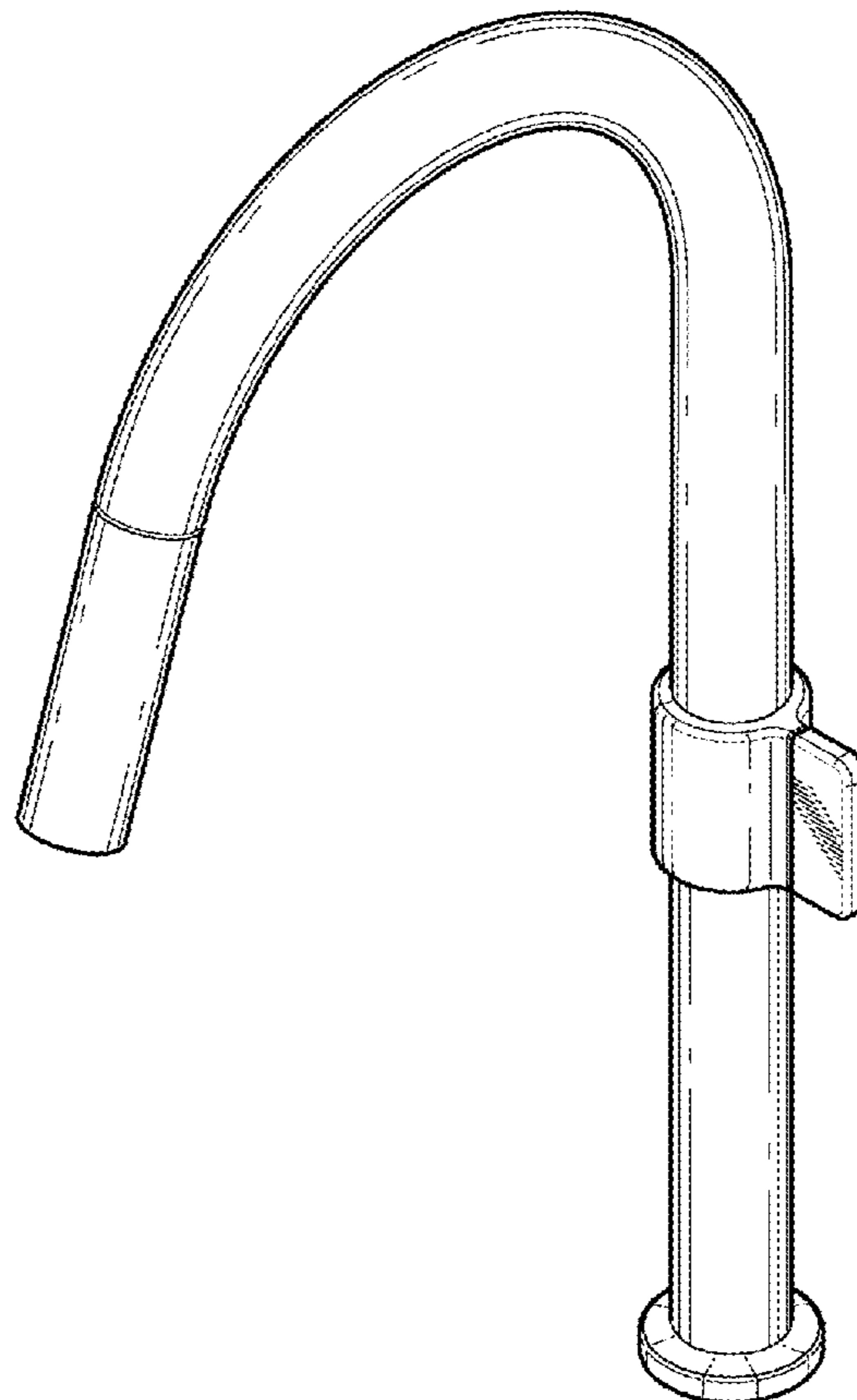
(56) **References Cited**
U.S. PATENT DOCUMENTS

D653,309 S * 1/2012 Starck D23/257
D741,453 S * 10/2015 Bahler D23/238

(57) **CLAIM**
The ornamental design for a faucet, as shown and described.

DESCRIPTION
FIG. 1 is a perspective view of a faucet showing my new design;
FIG. 2 is a front elevational view thereof;
FIG. 3 is a rear perspective view thereof;
FIG. 4 is a rear view thereof;
FIG. 5 is a top plan view thereof;
FIG. 6 is a right side view thereof;
FIG. 7 is a left side view thereof; and,
FIG. 8 is a bottom view thereof.

1 Claim, 4 Drawing Sheets



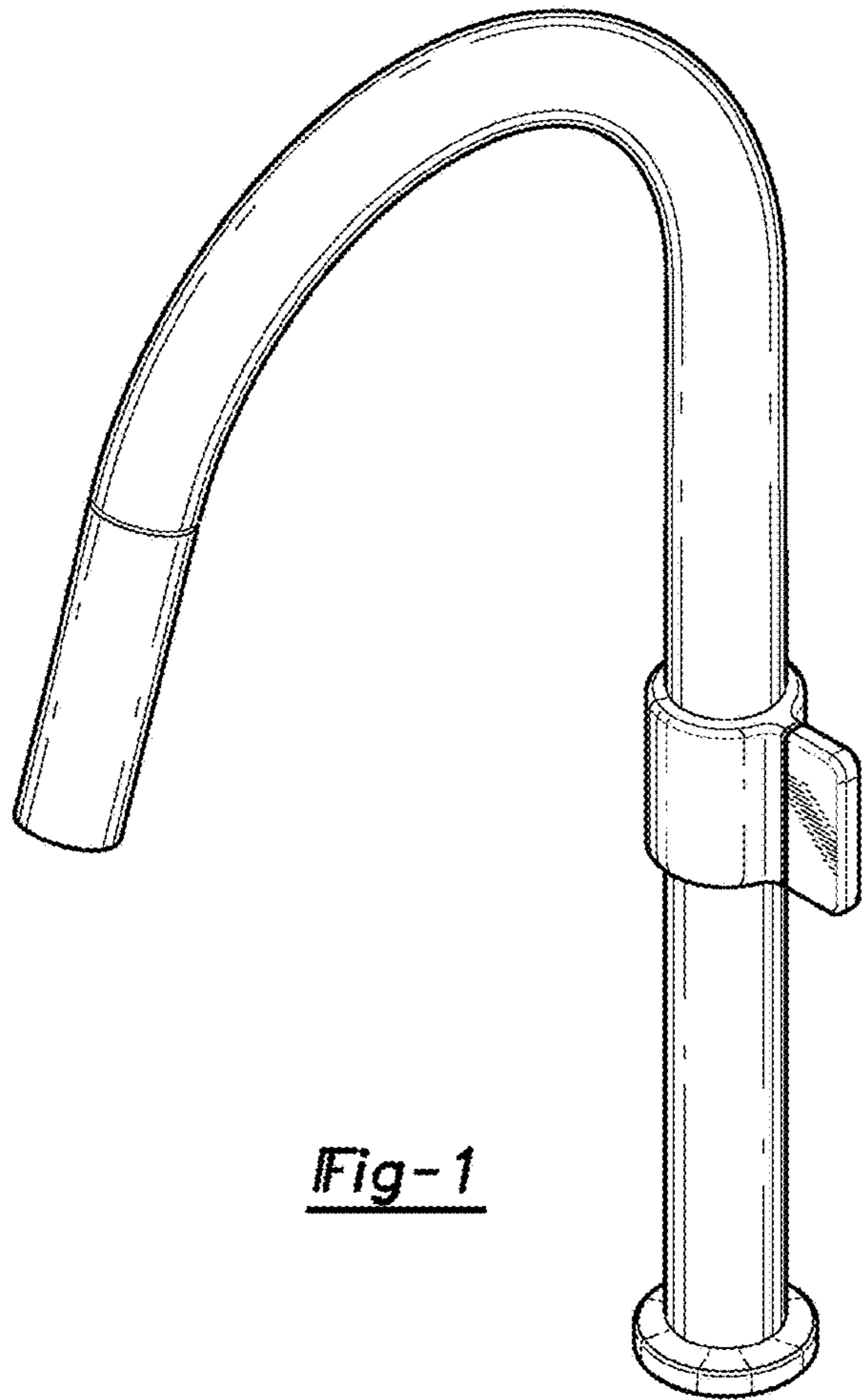


Fig-1

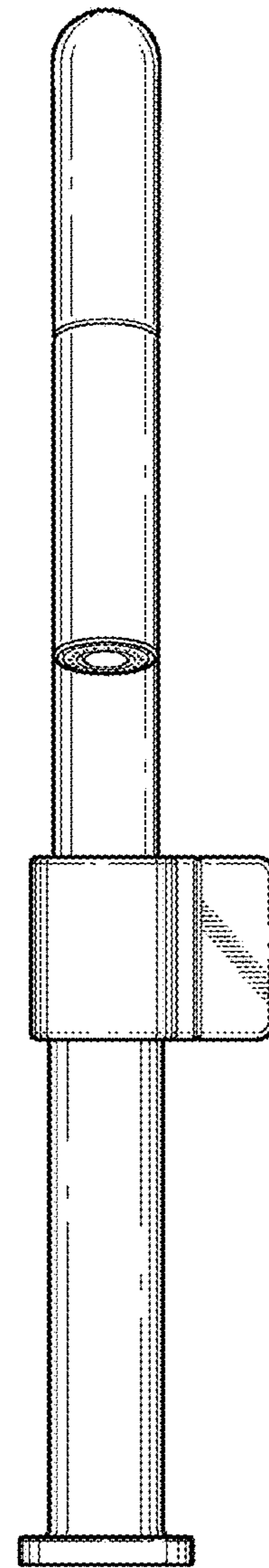


Fig-2

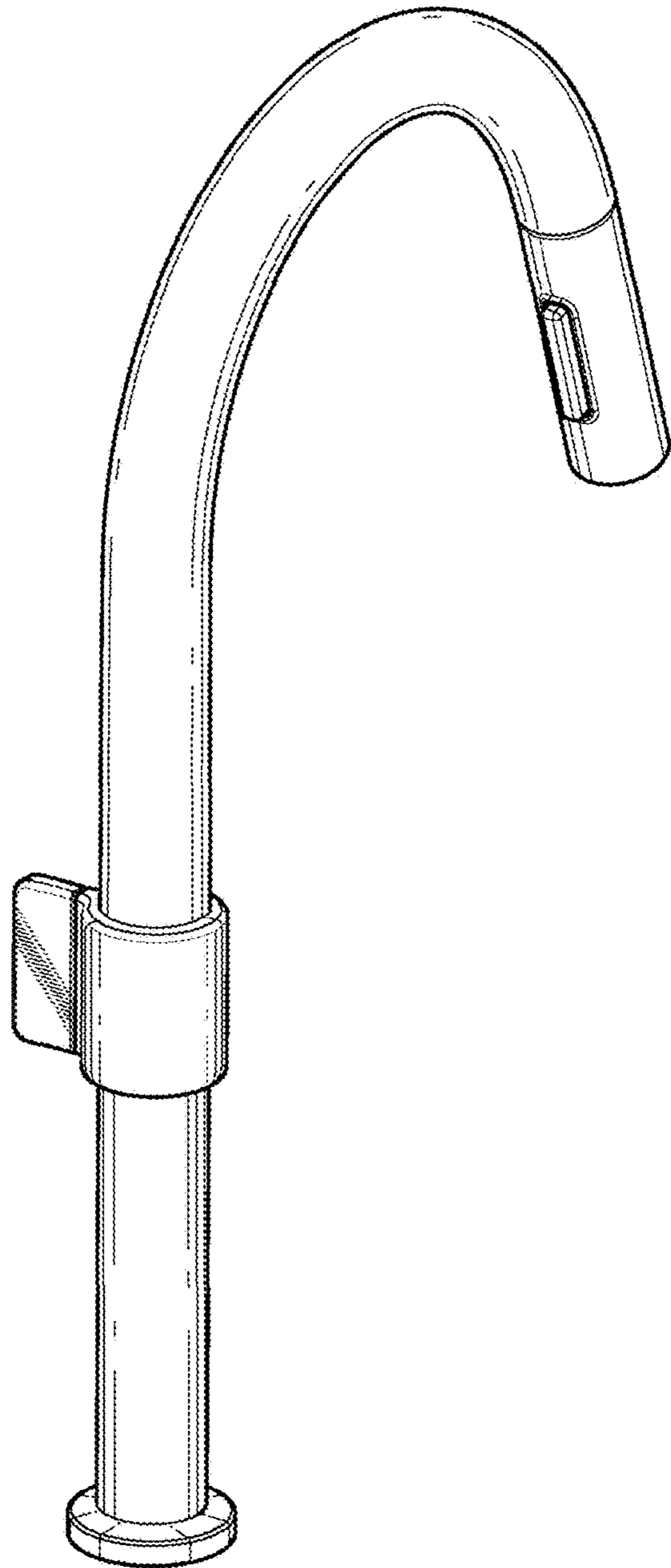


Fig-3

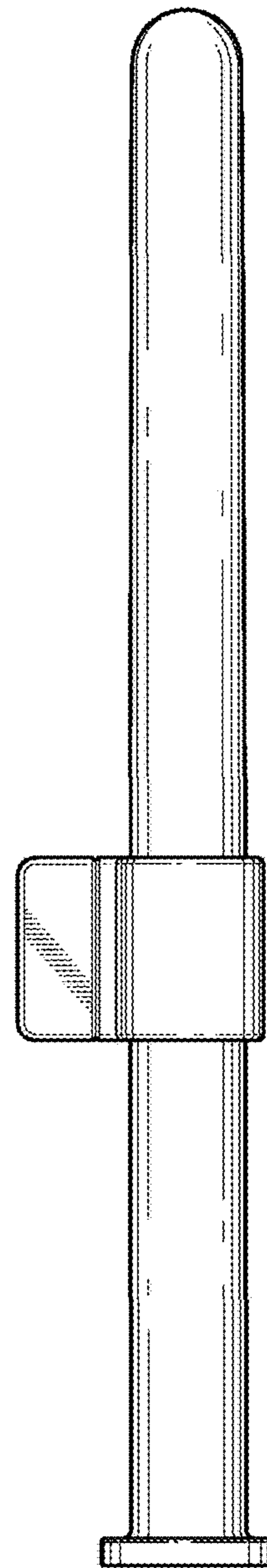


Fig-4

Fig-5

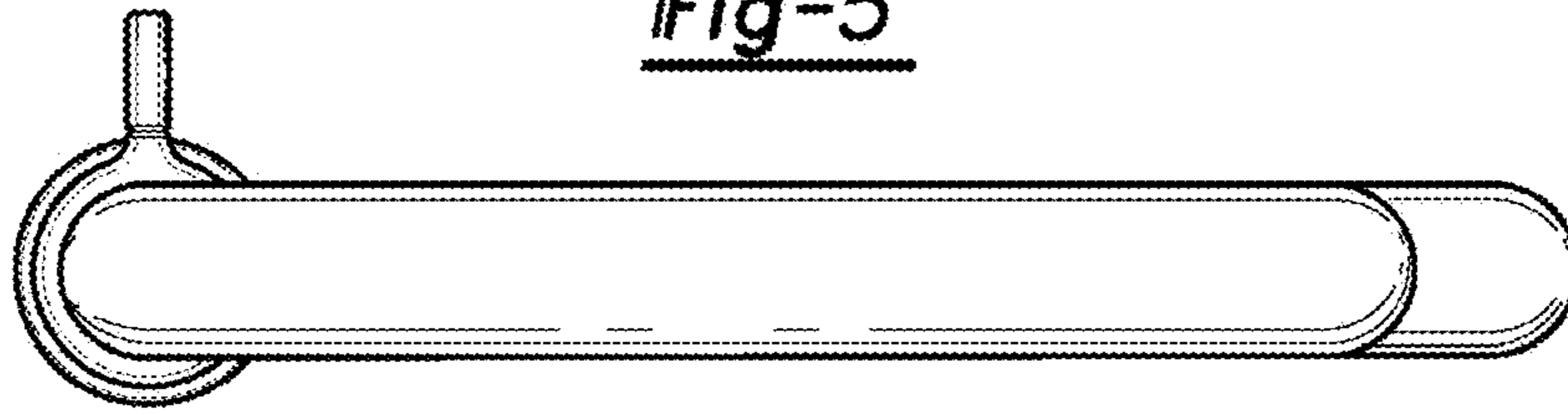
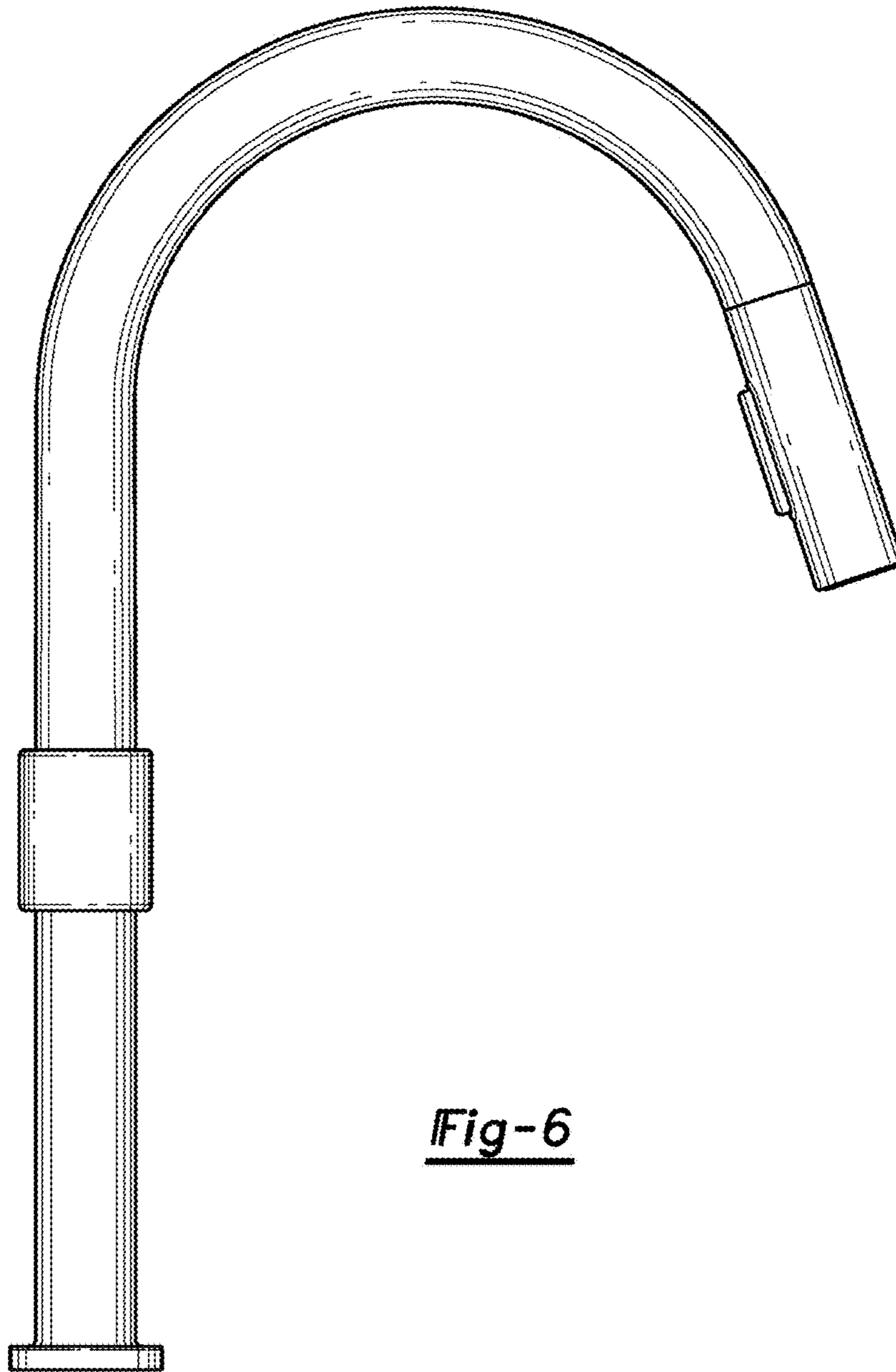


Fig-6



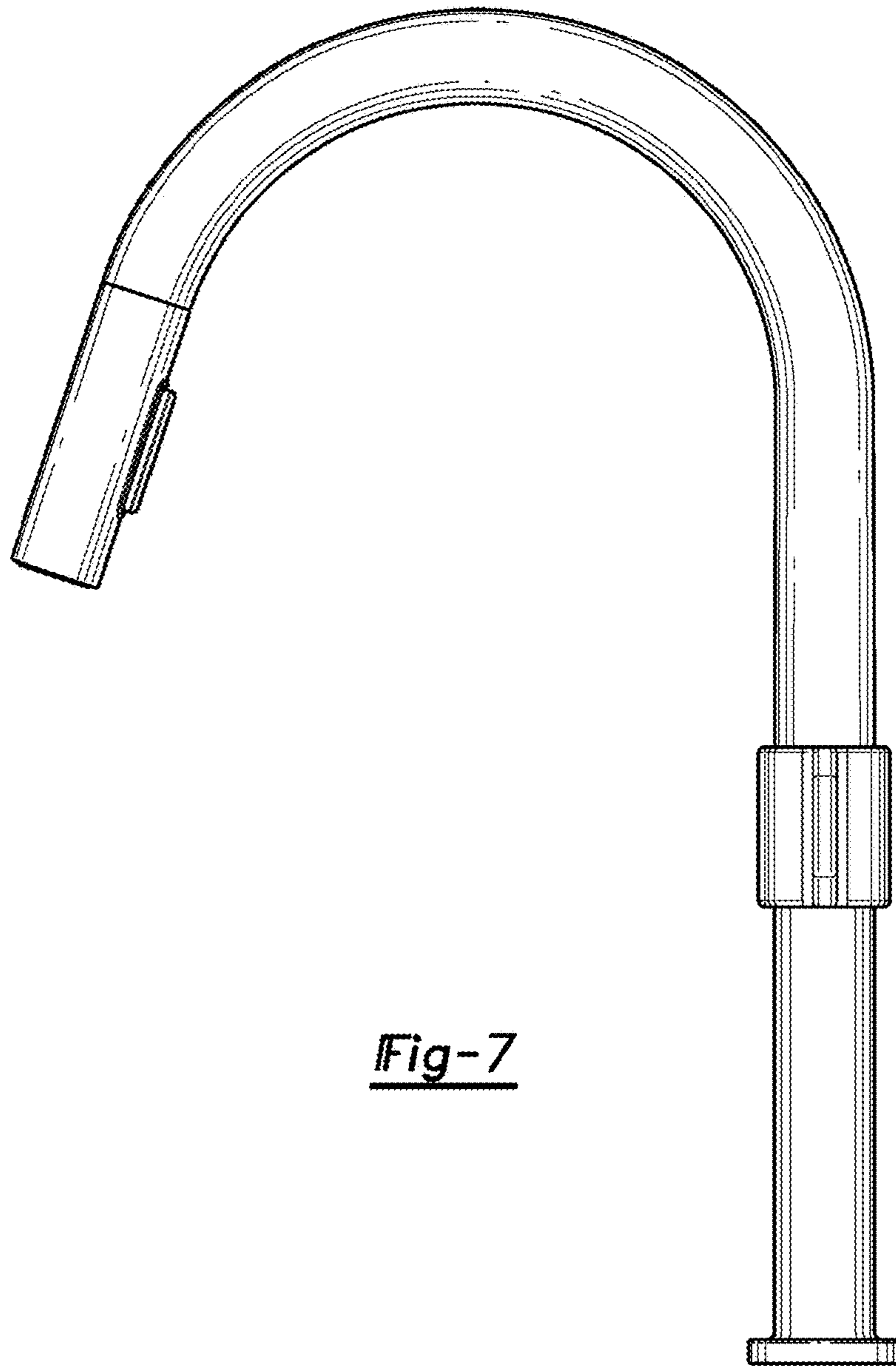


Fig-7

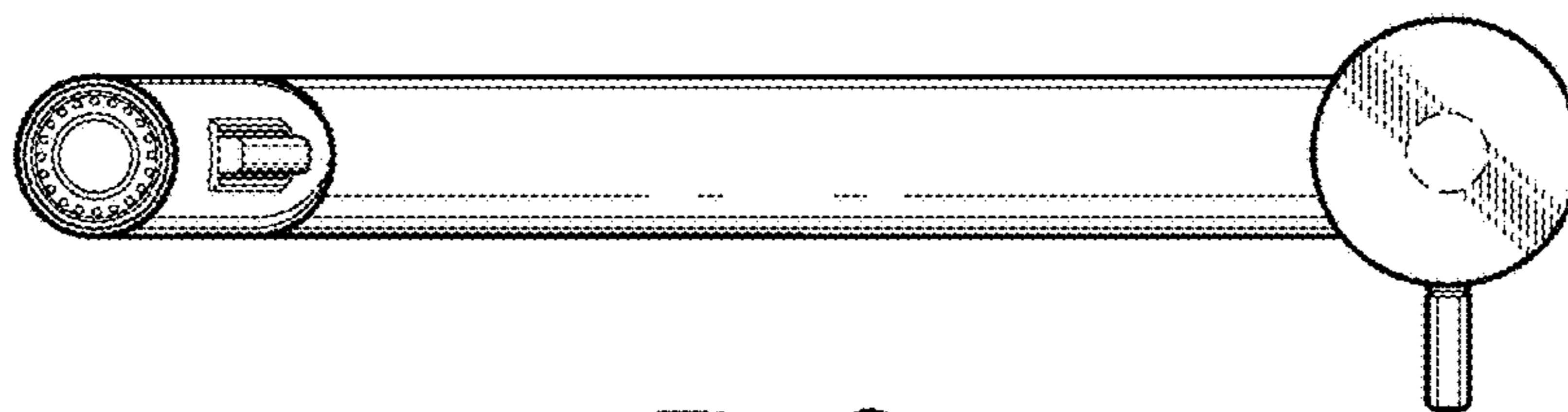


Fig-8