



US00D830515S

(12) **United States Design Patent** (10) **Patent No.:** **US D830,515 S**
L'Henaff et al. (45) **Date of Patent:** **** Oct. 9, 2018**

(54) **FAUCET**

FOREIGN PATENT DOCUMENTS

(71) Applicant: **AS IP Holdco, LLC**, Piscataway, NJ (US)

CN	303034528	12/2014
WO	DM/084 253	8/2014

(72) Inventors: **Jean-Jacques L'Henaff**, New Canaan, CT (US); **Emilie Williams**, South Plainfield, NJ (US)

OTHER PUBLICATIONS

(73) Assignee: **AS IP Holdco, LLC**, Piscataway, NJ (US)

First Office Action dated Oct. 26, 2017, directed to CN Application No. 201730295966.7; 2 pages.
Office Action dated May 22, 2018, directed to BR Application No. BR 30 2017 002778-4; 2 pages.
Decision to Grant a Design dated Jun. 1, 2018, directed to JP Application No. 2017-014738; 6 pages.

(**) Term: **15 Years**

* cited by examiner

(21) Appl. No.: **29/590,268**

Primary Examiner — Robert A Delehanty

(22) Filed: **Jan. 9, 2017**

(74) *Attorney, Agent, or Firm* — Morrison & Foerster LLP

(51) **LOC (11) Cl.** **23-01**

(52) **U.S. Cl.**
USPC **D23/238**

(57) **CLAIM**

The ornamental design for a faucet, as shown and described.

(58) **Field of Classification Search**
USPC D23/238–242, 249, 250, 252, 254–255, D23/257; D8/350, 353

DESCRIPTION

CPC Y10T 137/9464
See application file for complete search history.

FIG. 1 is a front and right side perspective view of a faucet showing the new design;
FIG. 2 is a front elevational view thereof;
FIG. 3 is a rear elevational view thereof;
FIG. 4 is a right side elevational view thereof;
FIG. 5 is a left side elevational view thereof;
FIG. 6 is a top plan view thereof; and,
FIG. 7 is a bottom plan view thereof.
The features shown in broken lines form no part of the claimed design.

(56) **References Cited**

U.S. PATENT DOCUMENTS

D301,162 S *	5/1989	Oberdorfer	D23/238
D618,765 S *	6/2010	Wang	D23/238
D662,181 S *	6/2012	Thun	D23/238
D689,987 S *	9/2013	Kington	D23/238
D767,723 S *	9/2016	Hong	D23/238
D787,644 S *	5/2017	Hong	D23/255

1 Claim, 4 Drawing Sheets

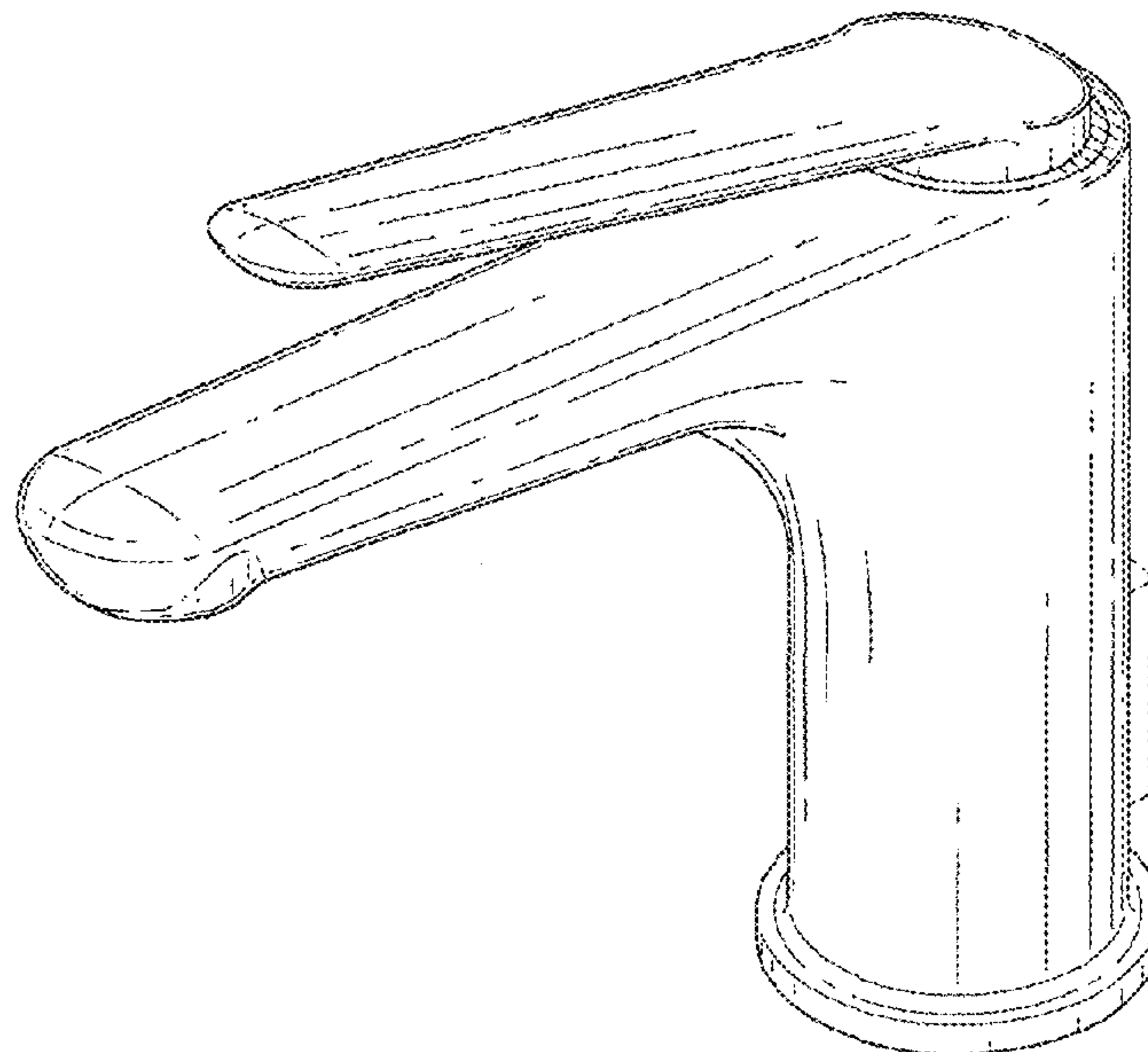


FIG. 1

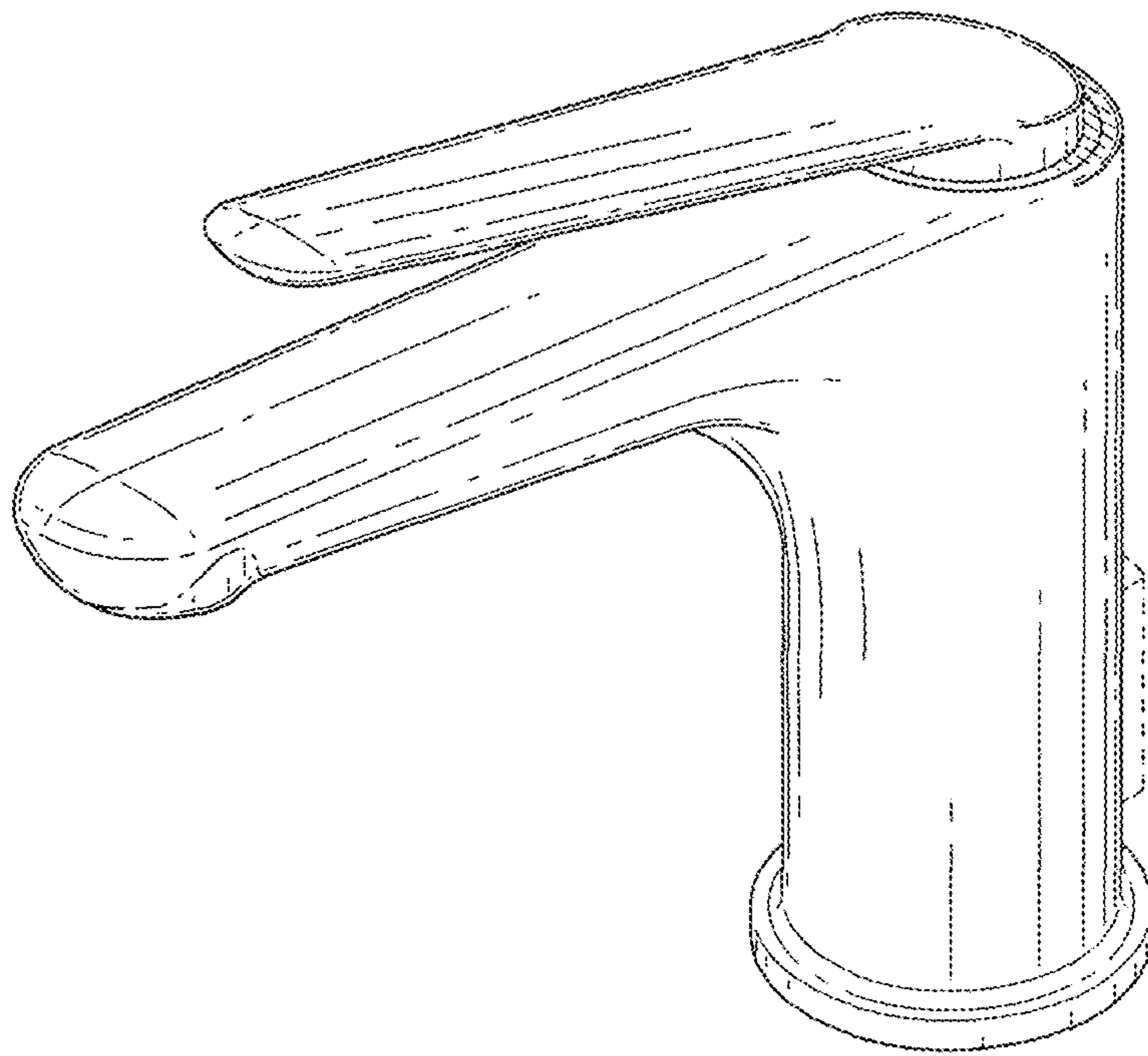


FIG. 2

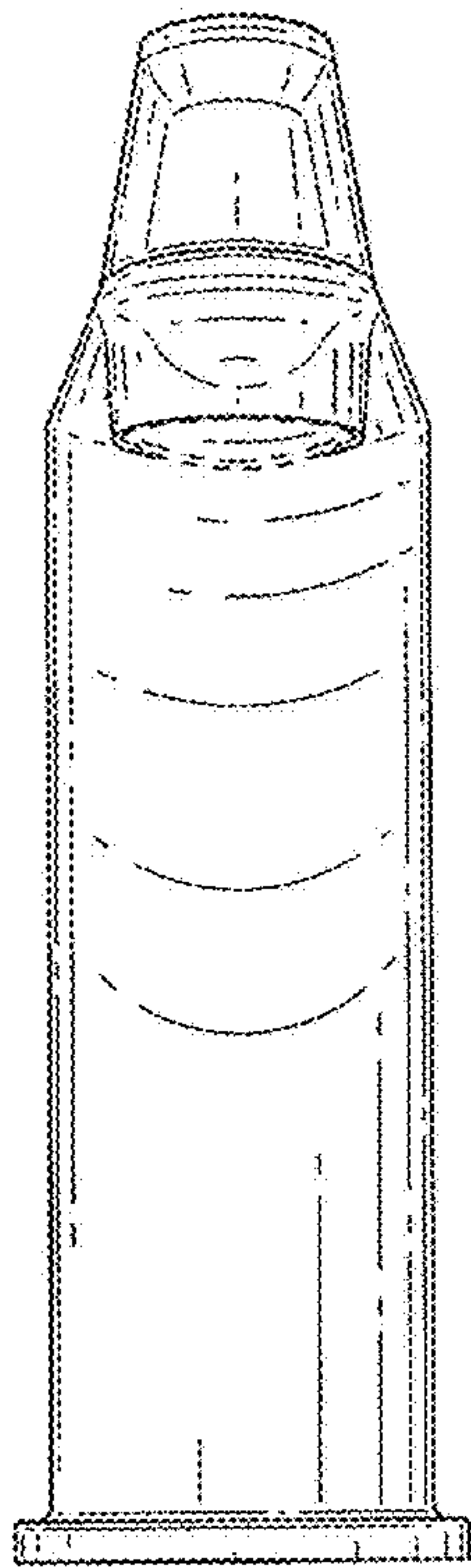
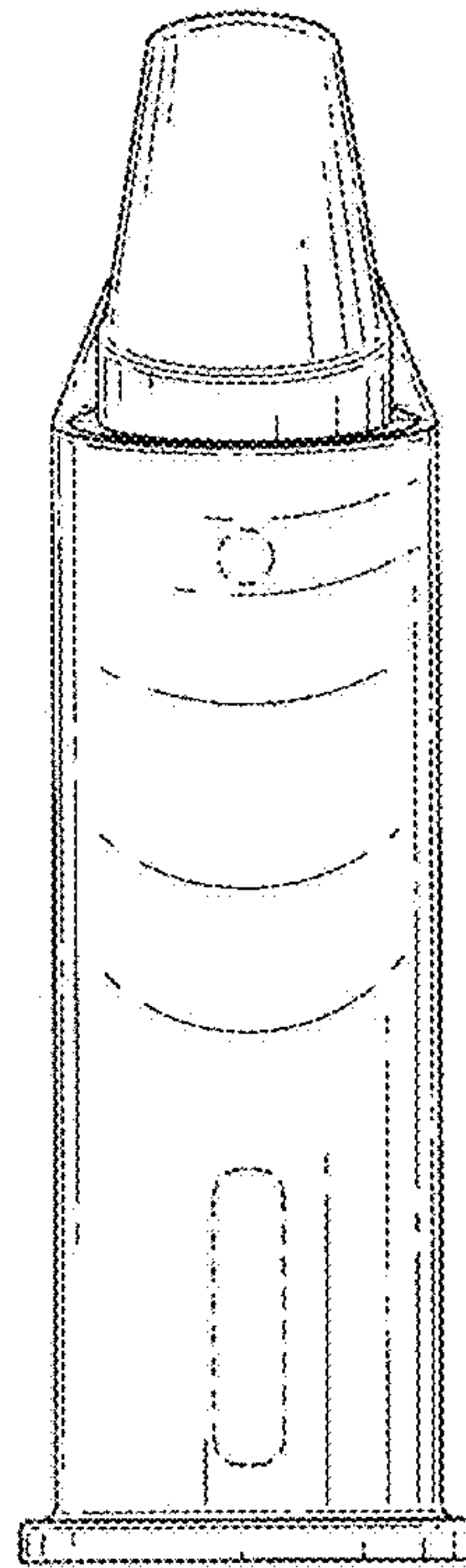


FIG. 3



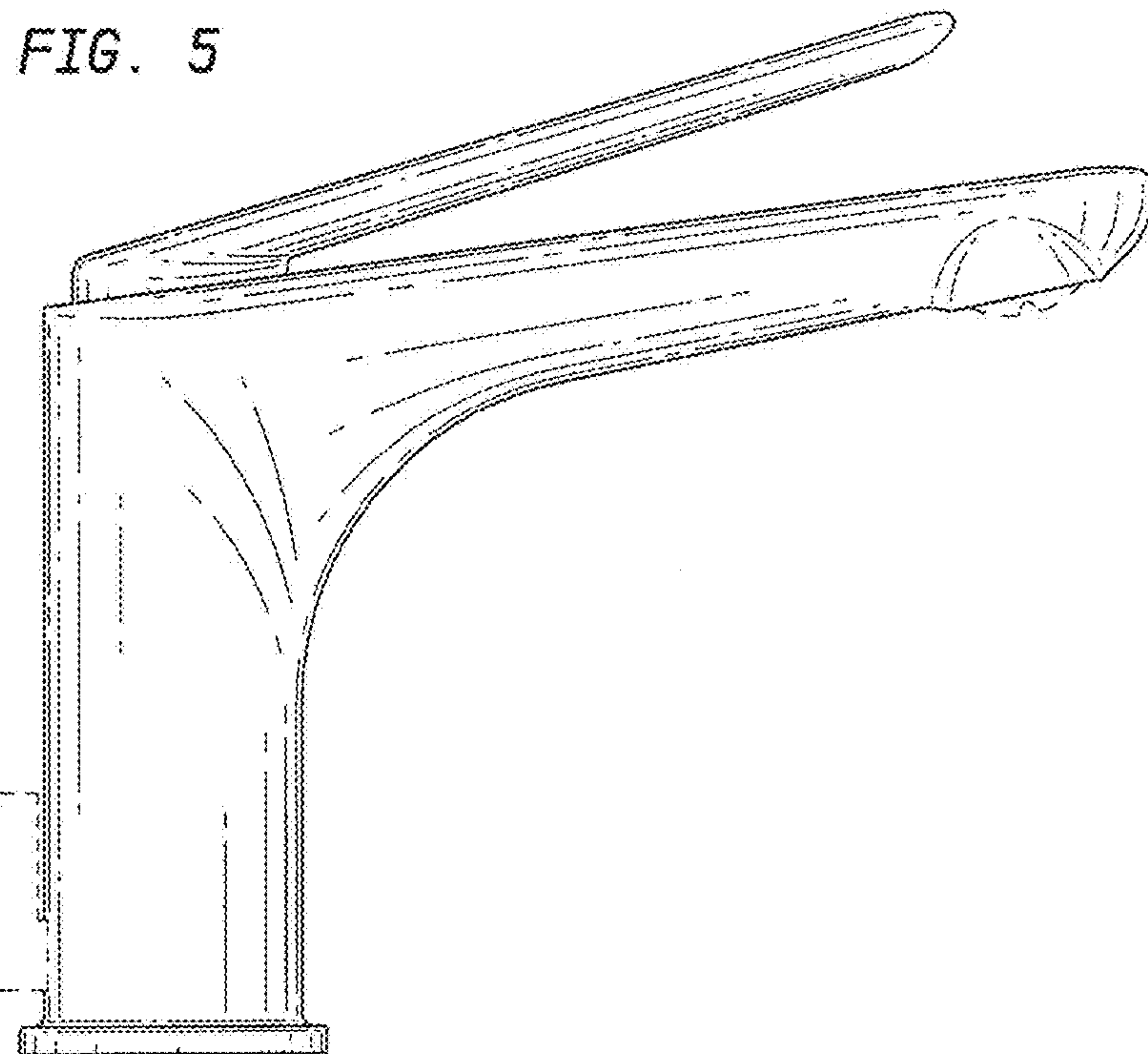
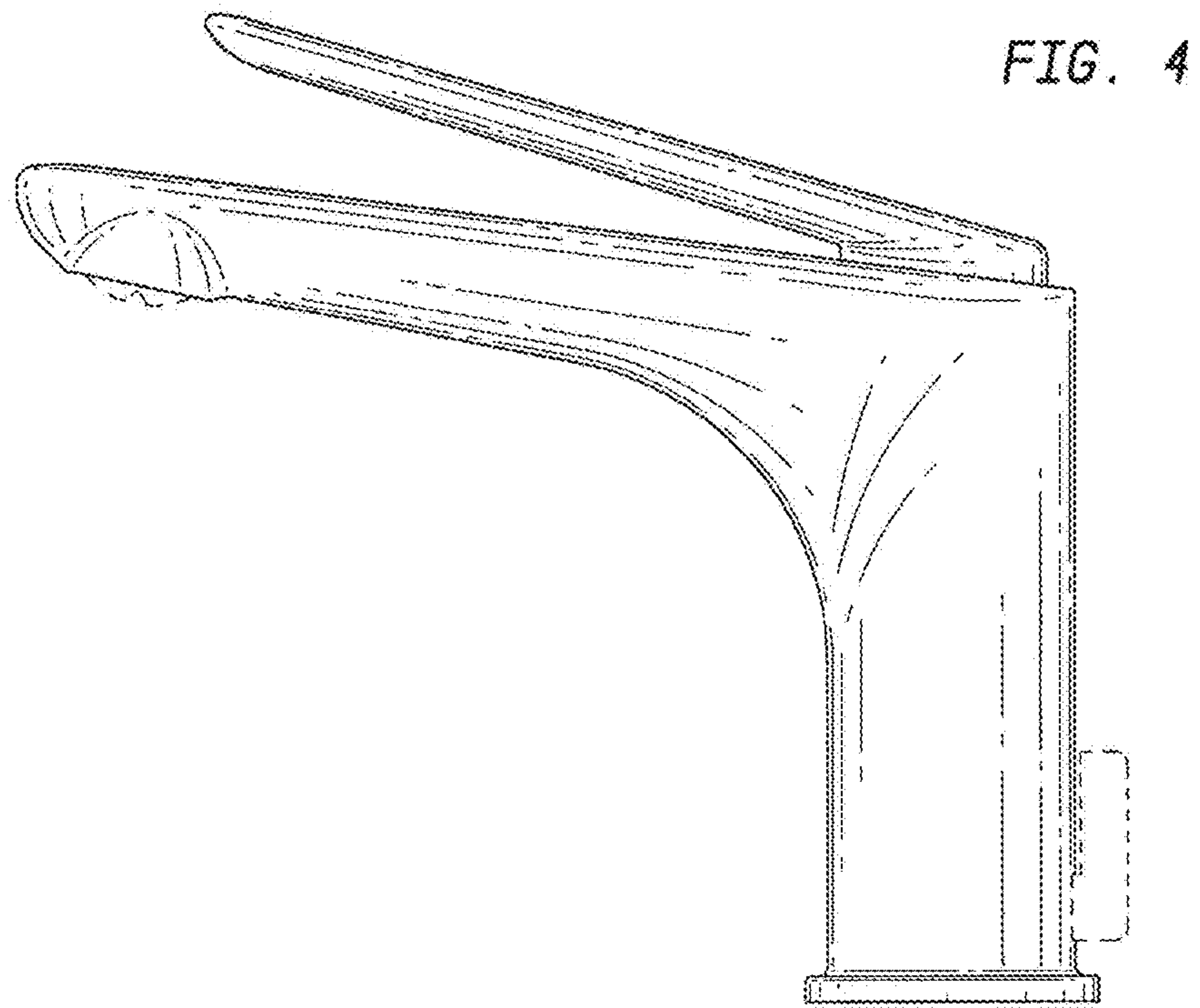


FIG. 6

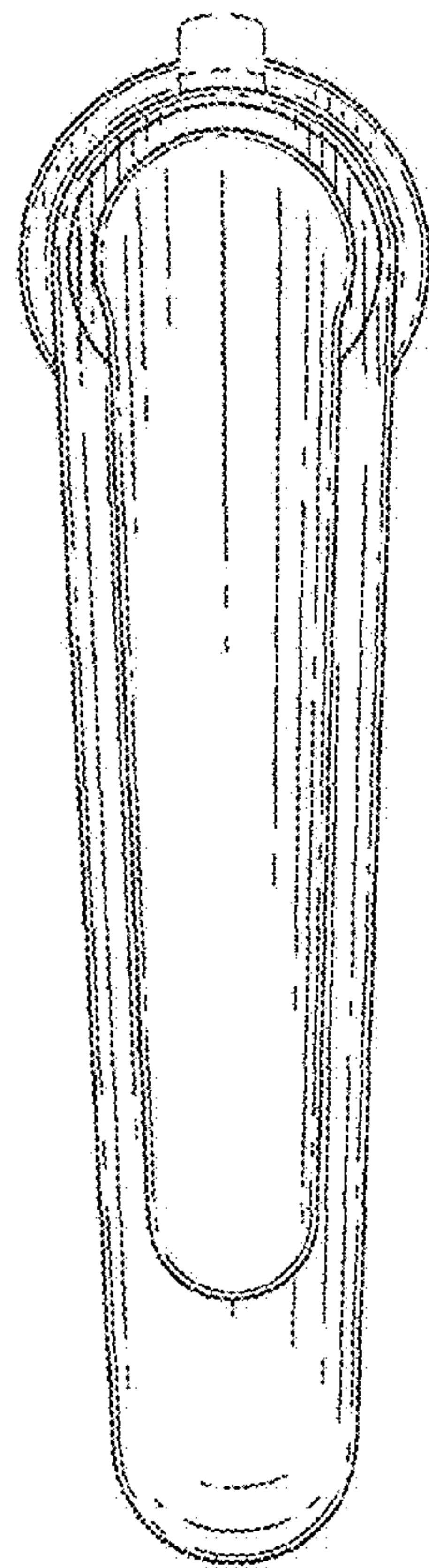


FIG. 7

