



US00D830512S

(12) **United States Design Patent** (10) **Patent No.:** **US D830,512 S**  
**Sato et al.** (45) **Date of Patent:** **\*\* Oct. 9, 2018**

(54) **SOLENOID VALVE**  
(71) Applicant: **SMC CORPORATION**, Tokyo (JP)  
(72) Inventors: **Hideharu Sato**, Moriya (JP); **Yoshitada Doi**, Koshigaya (JP); **Takeshi Karibe**, Joso (JP); **Takayuki Murai**, Moriya (JP); **Yasushi Uchita**, Moriya (JP)

D417,485 S \* 12/1999 Sato ..... D23/233  
D419,642 S \* 1/2000 Hiramatsu ..... D23/233  
D438,596 S \* 3/2001 Takada ..... D23/233  
D615,618 S 5/2010 Someya  
D752,182 S 3/2016 Umeda et al.  
D796,007 S \* 8/2017 Ueno ..... D23/233  
D796,008 S \* 8/2017 Ueno ..... D23/233

(73) Assignee: **SMC CORPORATION**, Tokyo (JP)  
(\*\*) Term: **15 Years**

**FOREIGN PATENT DOCUMENTS**

JP D1094554 S 12/2000  
JP D1479959 S 9/2013  
JP D1479960 S 9/2013  
JP D1514855 S 1/2015  
JP D1515274 S 1/2015  
JP D1529637 S 7/2015

(21) Appl. No.: **29/613,568**  
(22) Filed: **Aug. 11, 2017**

\* cited by examiner

(30) **Foreign Application Priority Data**

*Primary Examiner* — Cynthia Ramirez  
*Assistant Examiner* — Gino Colan

Feb. 14, 2017 (CN) ..... 2017 3 0039304

(74) *Attorney, Agent, or Firm* — Birch, Stewart, Kolasch & Birch, LLP

(51) **LOC (11) Cl.** ..... **23-01**

(52) **U.S. Cl.**  
USPC ..... **D23/233**

(57) **CLAIM**

The ornamental design for a solenoid valve, as shown.

(58) **Field of Classification Search**  
USPC ..... D23/233, 235, 237, 244–249;  
251/129.15, 65; 137/341, 487.5, 625.64,  
137/884  
CPC .. F16K 31/0675; F16K 27/029; F16K 27/048;  
F16K 31/02  
See application file for complete search history.

**DESCRIPTION**

FIG. 1 is a front, top and left side perspective view of a solenoid valve showing our new design;  
FIG. 2 is a rear, bottom and right side perspective view thereof;  
FIG. 3 is a front view thereof;  
FIG. 4 is a rear view thereof;  
FIG. 5 is a top plan view thereof;  
FIG. 6 is a bottom plan view thereof;  
FIG. 7 is a left side view thereof; and,  
FIG. 8 is a right side view thereof.

(56) **References Cited**

**U.S. PATENT DOCUMENTS**

D246,907 S \* 1/1978 Fialkowski ..... D23/233  
D410,523 S \* 6/1999 Ota ..... D23/233  
D413,650 S \* 9/1999 Sato ..... D23/233

**1 Claim, 8 Drawing Sheets**

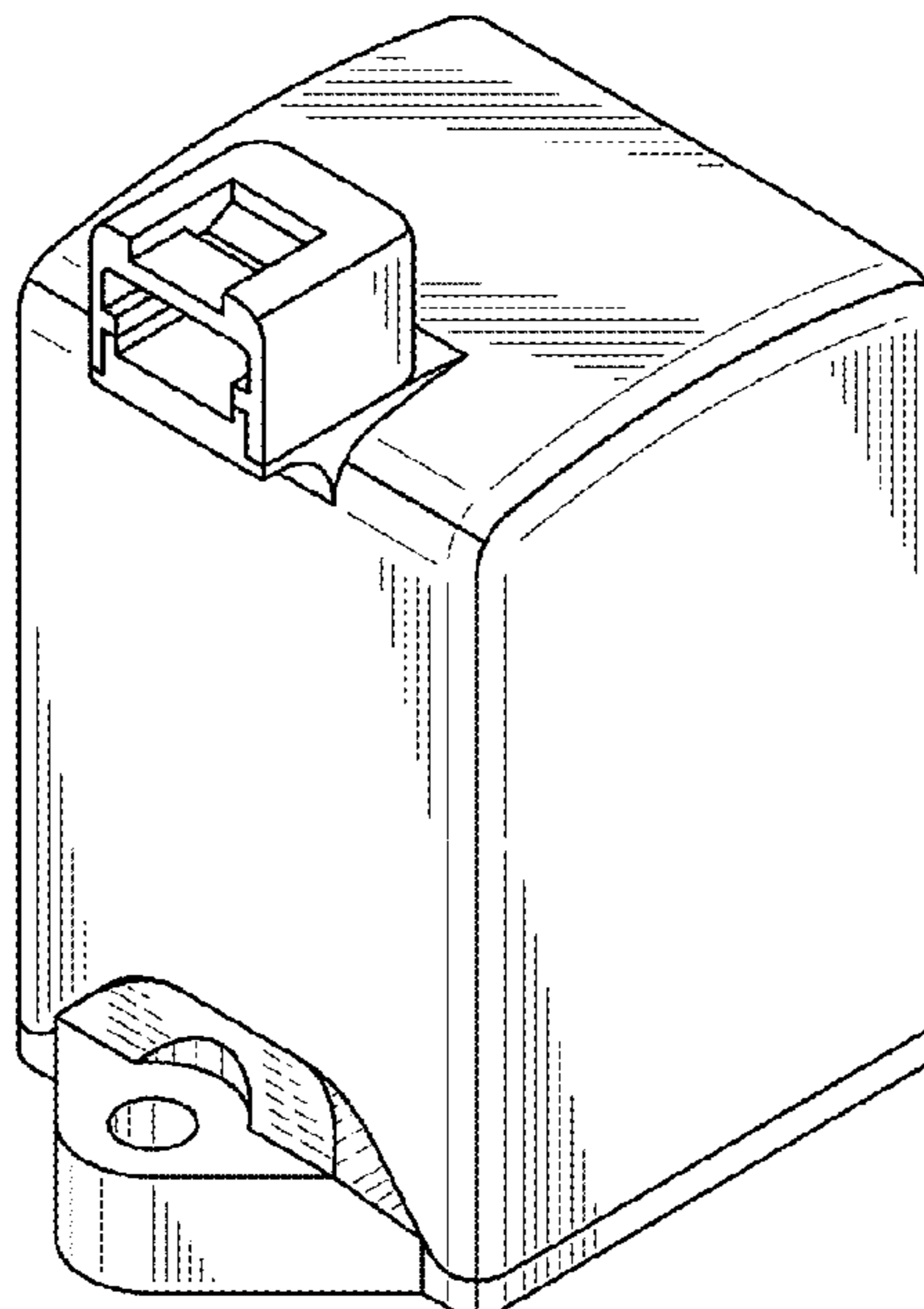


FIG. 1

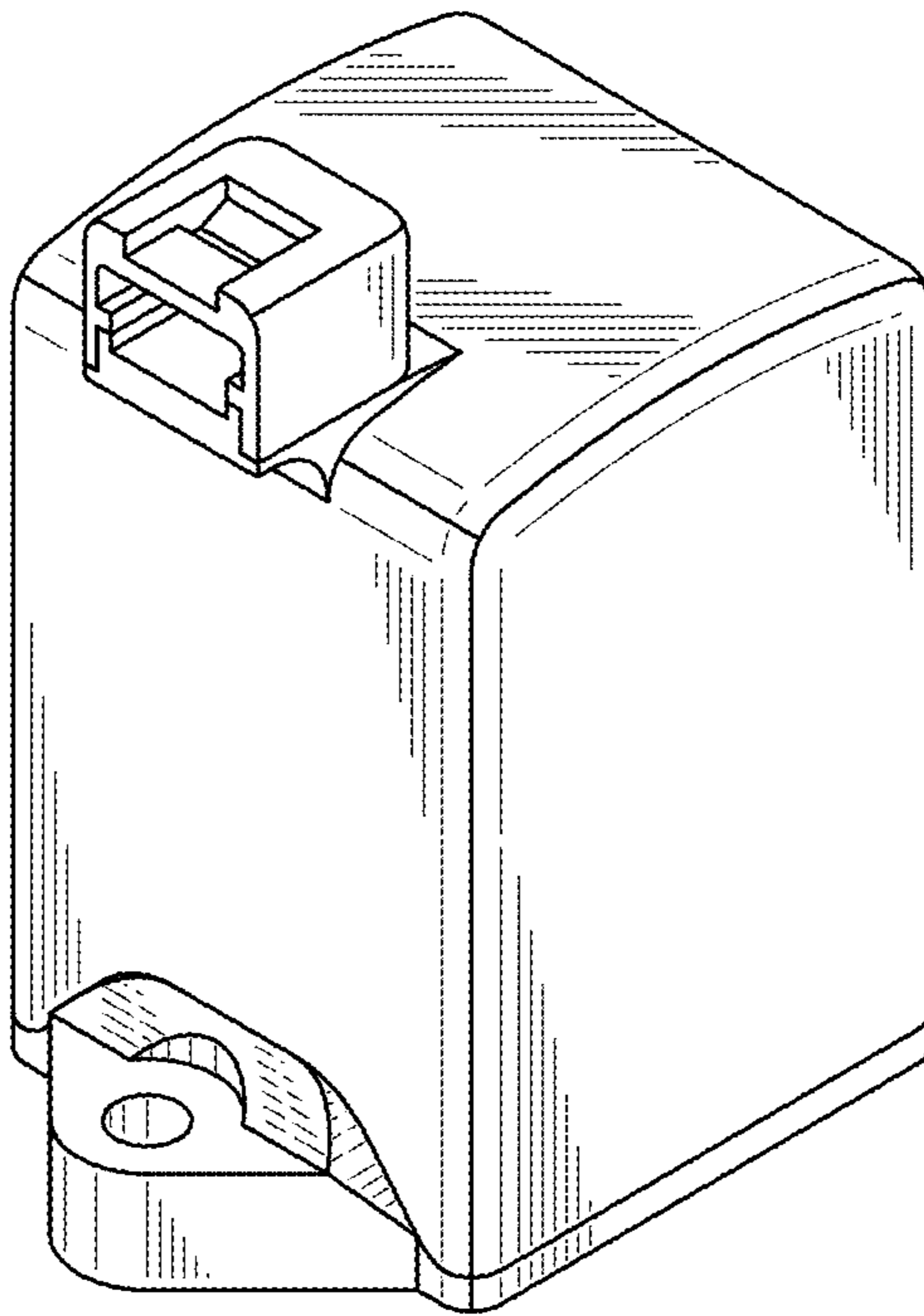


FIG. 2

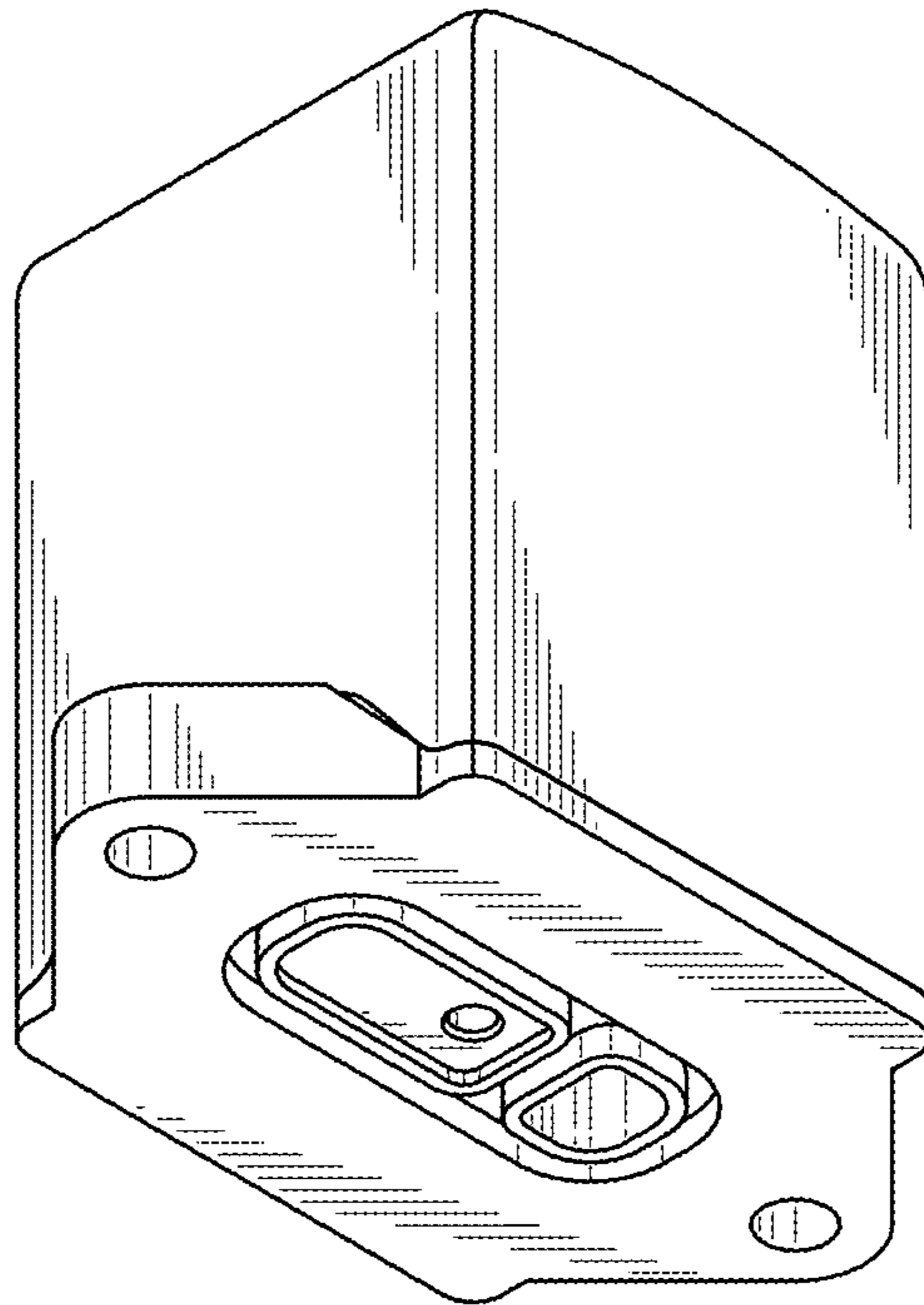


FIG. 3

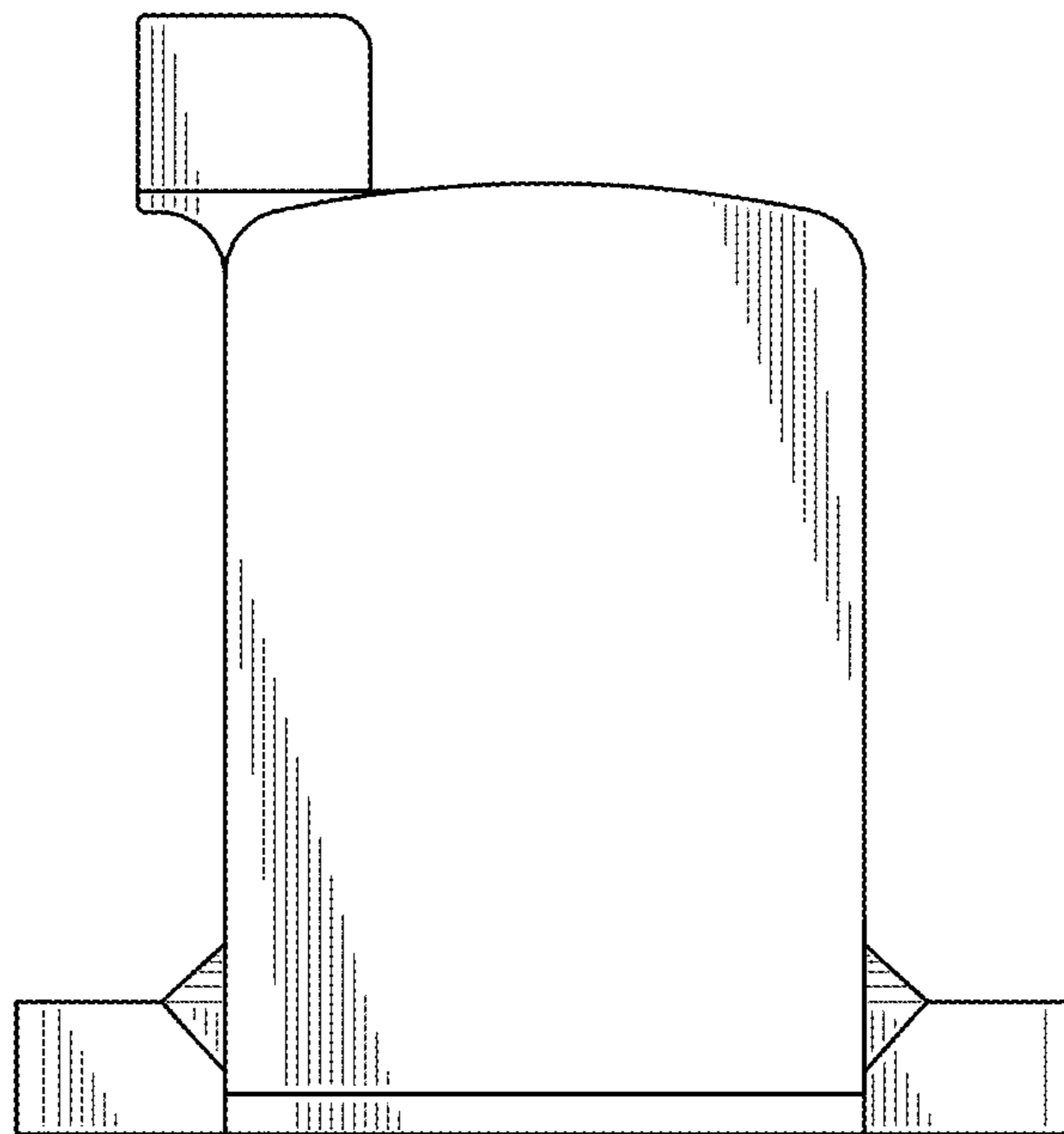


FIG. 4

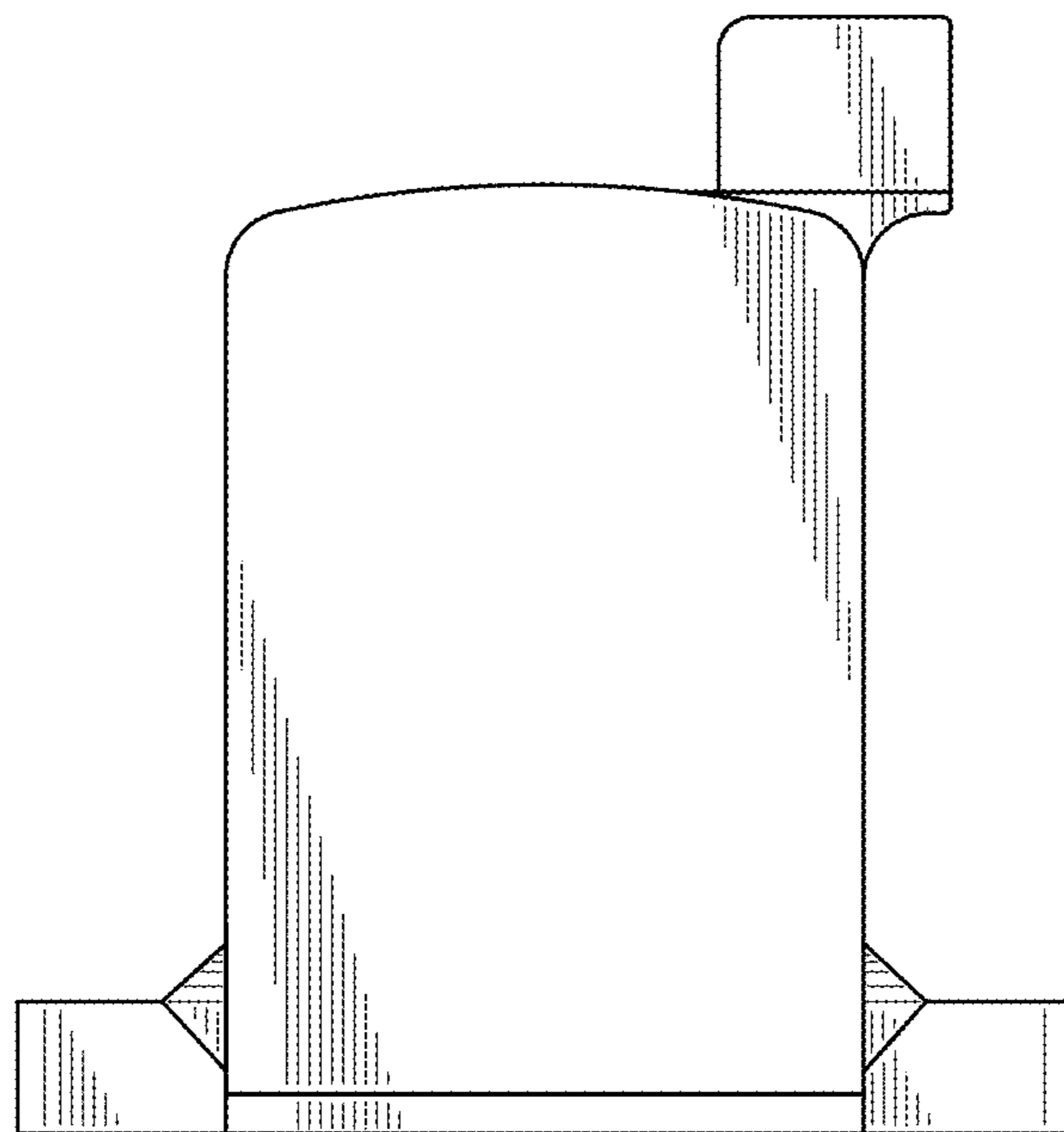


FIG. 5

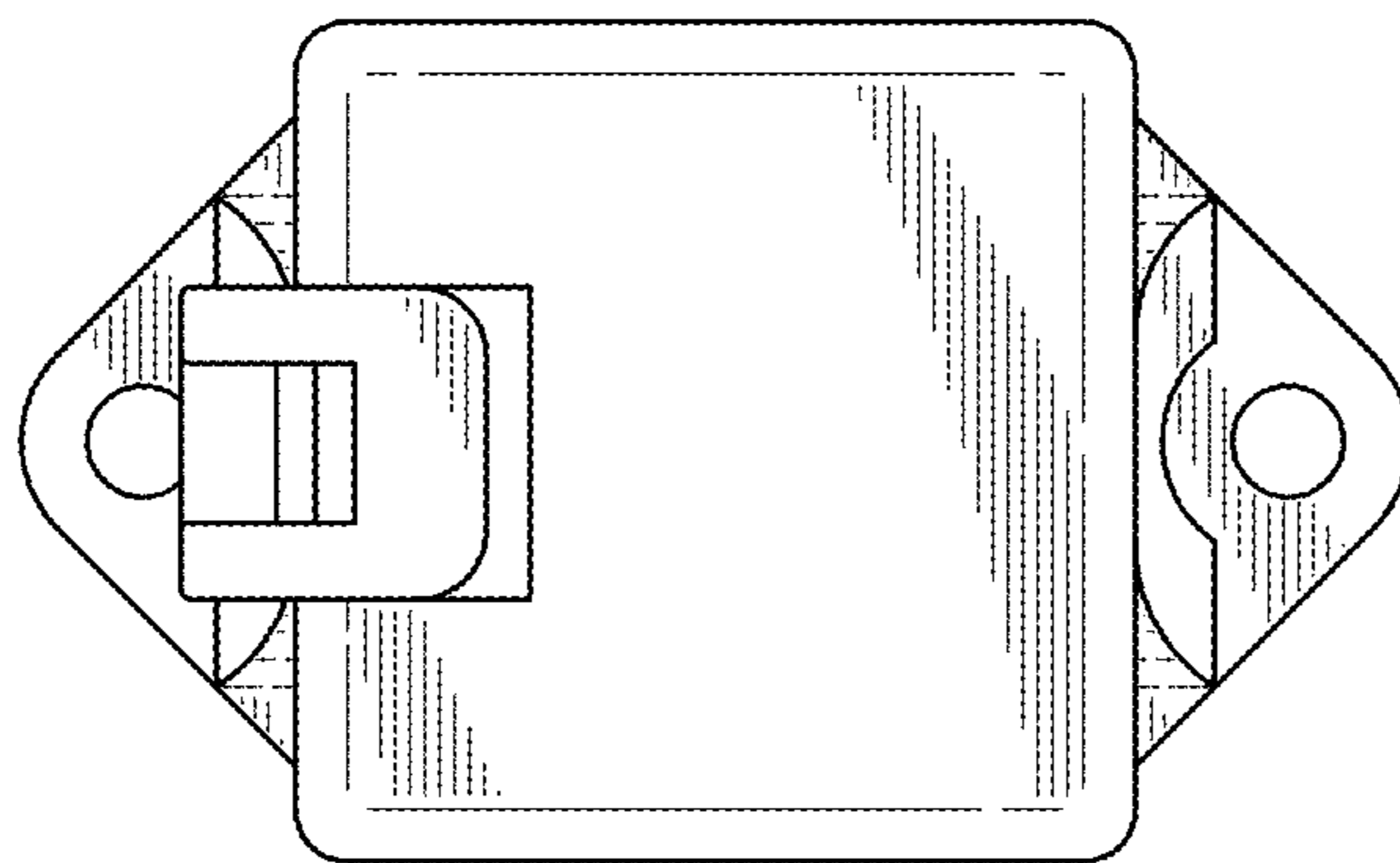


FIG. 6

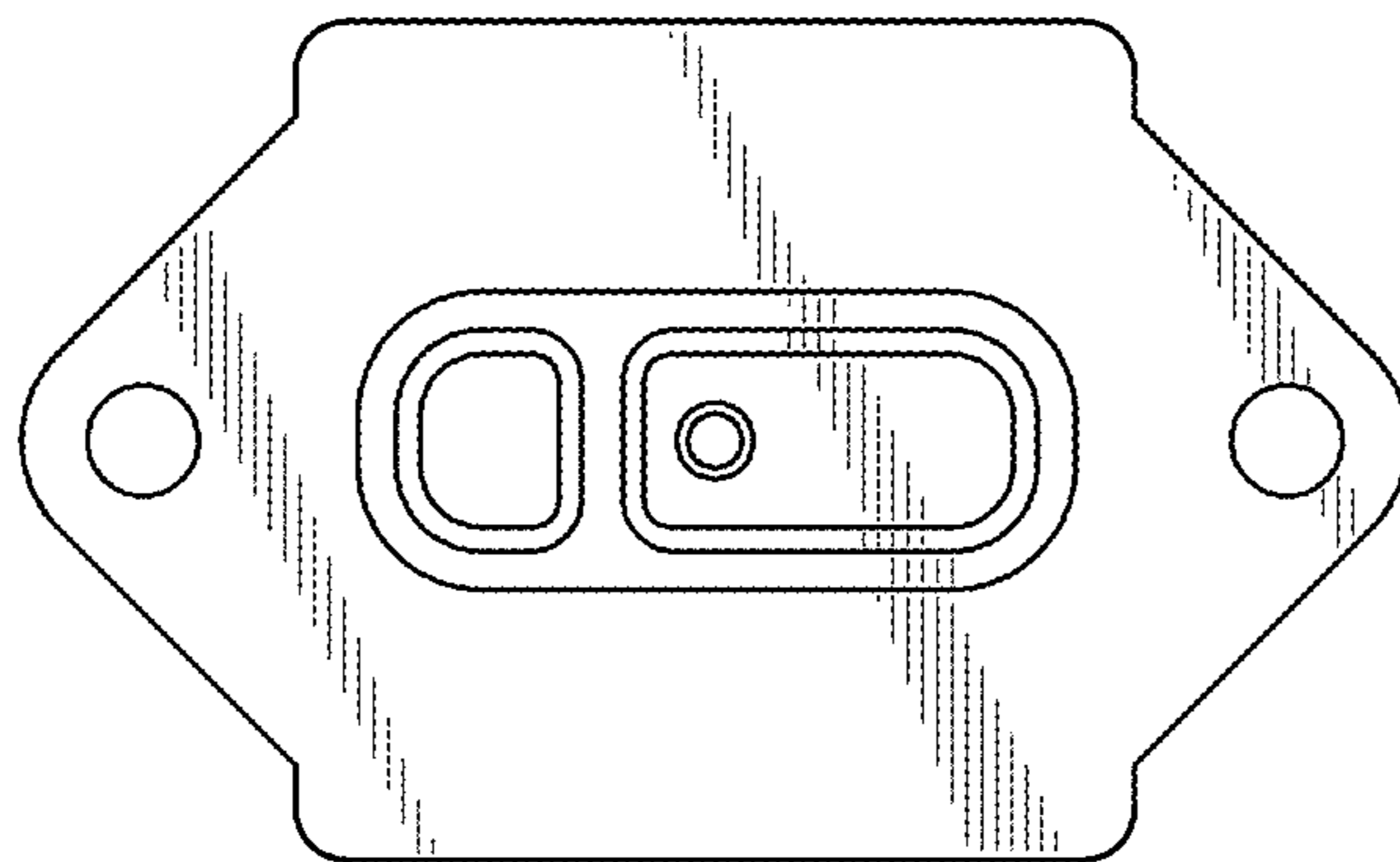


FIG. 7

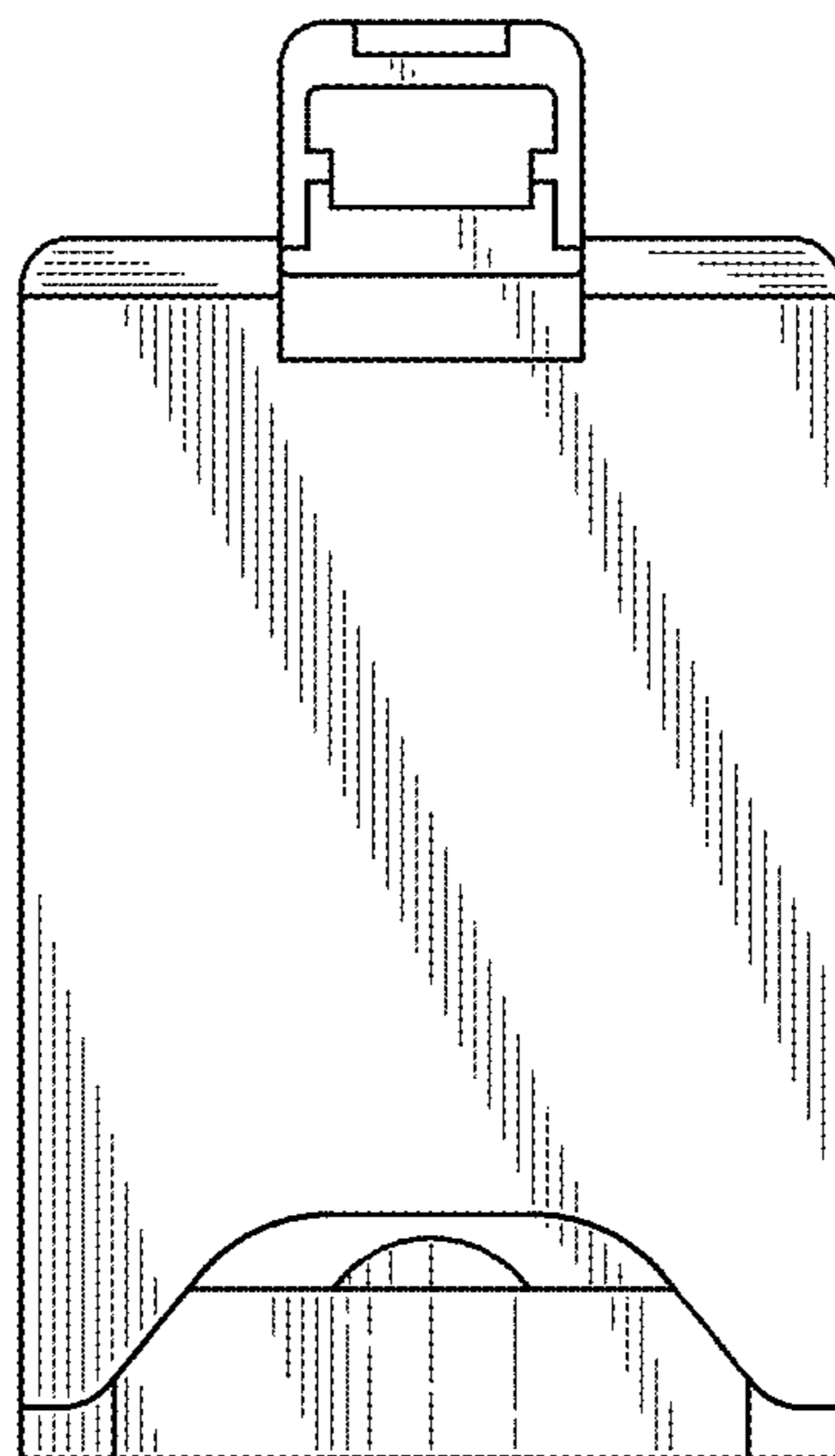




FIG. 8

