



US00D830510S

(12) **United States Design Patent**
Miyazoe et al.

(10) **Patent No.:** **US D830,510 S**
(45) **Date of Patent:** **** Oct. 9, 2018**

(54) **MANIFOLD BASE FOR ELECTROMAGNETIC VALVE**

(71) Applicant: **SMC CORPORATION**, Chiyoda-ku (JP)

(72) Inventors: **Shinji Miyazoe**, Moriya (JP); **Kazuhiro Noguchi**, Tsukubamirai (JP); **Yoichi Kawamura**, Tsukubamirai (JP)

(73) Assignee: **SMC CORPORATION**, Chiyoda-ku (JP)

(**) Term: **15 Years**

(21) Appl. No.: **29/608,254**

(22) Filed: **Jun. 20, 2017**

(30) **Foreign Application Priority Data**

Jan. 12, 2017 (JP) 2017-000352

(51) **LOC (11) Cl.** **23-01**

(52) **U.S. Cl.**
USPC **D23/233**

(58) **Field of Classification Search**
USPC D23/233, 235-237, 244-249; 137/884, 137/596.16, 554, 861, 271, 343, 625.64, 137/270; 251/367, 129.15, 129.01; D15/5, 199; 239/585.1
CPC F16K 27/041; F16K 27/048; F16K 27/003; F16K 31/0634; F16K 31/0675; F16K 27/029; F16K 31/082
See application file for complete search history.

(56) **References Cited**

U.S. PATENT DOCUMENTS

D599,890 S * 9/2009 Yoshimura D23/233
D615,619 S * 5/2010 Roys D23/233

D616,964 S * 6/2010 Miyazoe D23/233
D616,965 S * 6/2010 Miyazoe D23/233
D621,910 S * 8/2010 Miyazoe D23/233
D689,984 S * 9/2013 Miyazoe D23/233
D690,392 S * 9/2013 Miyazoe D23/233
2003/0155025 A1* 8/2003 Camozzi F15B 13/0402
137/884

* cited by examiner

Primary Examiner — Cynthia Ramirez

Assistant Examiner — Gino Colan

(74) *Attorney, Agent, or Firm* — Oblon, McClelland, Maier & Neustadt, L.L.P.

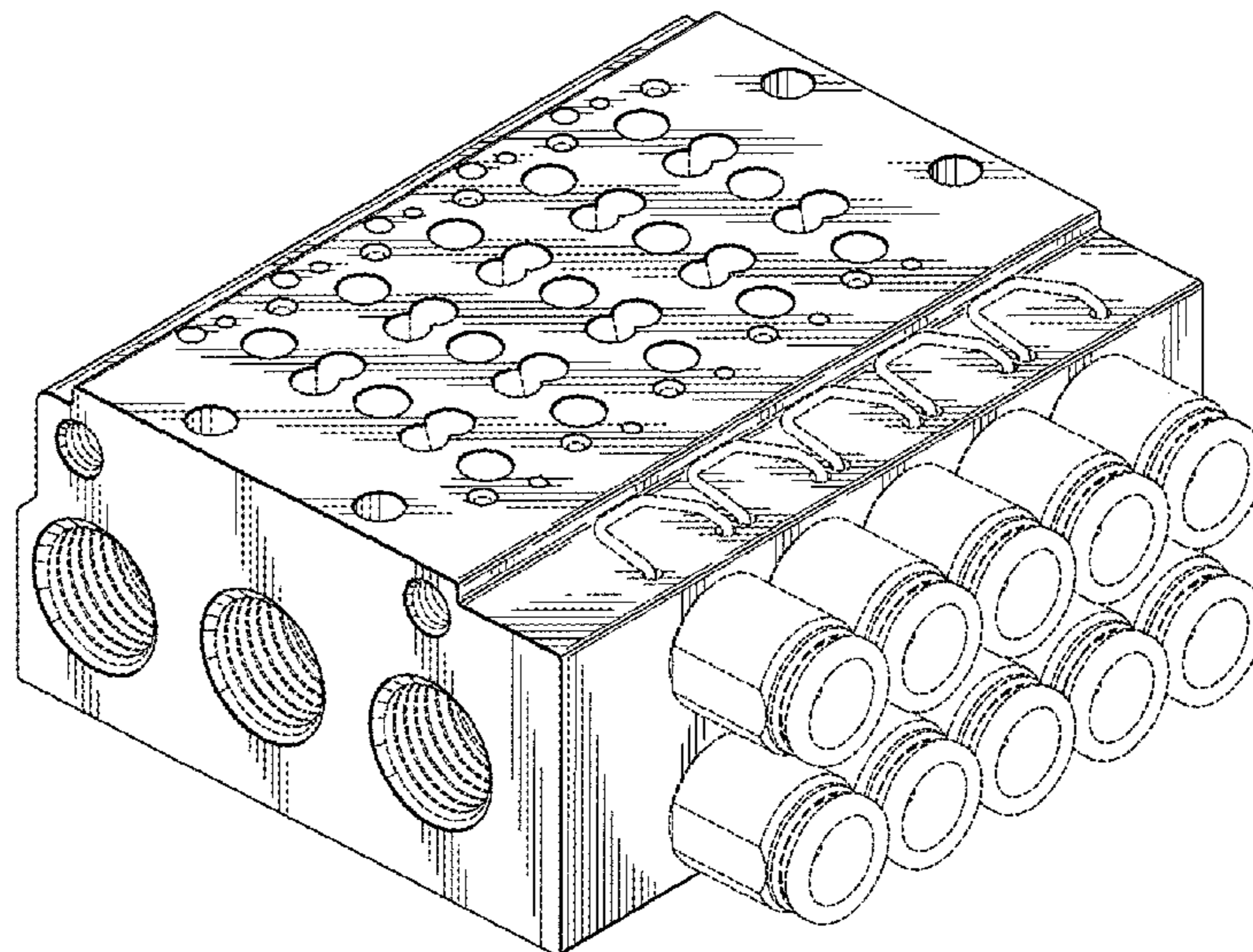
(57) **CLAIM**

The ornamental design for a manifold base for electromagnetic valve, as shown and described.

DESCRIPTION

FIG. 1 is a front, top, and left side perspective view of a manifold base for electromagnetic valve;
FIG. 2 is a rear, bottom, and right side perspective view thereof;
FIG. 3 is a front elevational view thereof;
FIG. 4 is a rear elevational view thereof;
FIG. 5 is a top plan view thereof;
FIG. 6 is a bottom plan view thereof; and,
FIG. 7 is a left side elevational view thereof, the right side elevational view being a mirror image of the left side elevational view shown.
The broken lines shown in the figures are for the purpose of illustrating portions of the manifold base for electromagnetic valve that form no part of the claimed design.

1 Claim, 7 Drawing Sheets



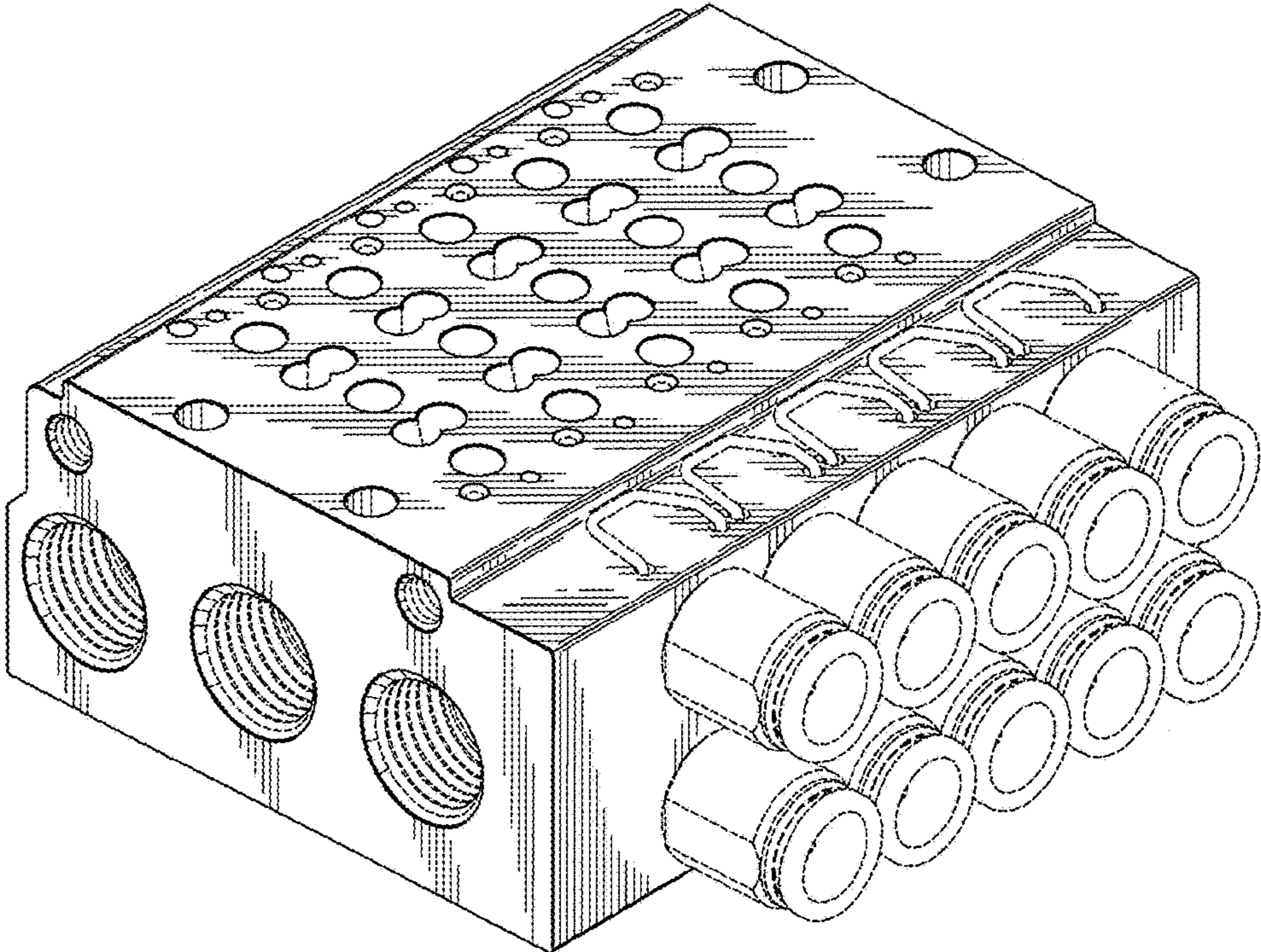


FIG. 1

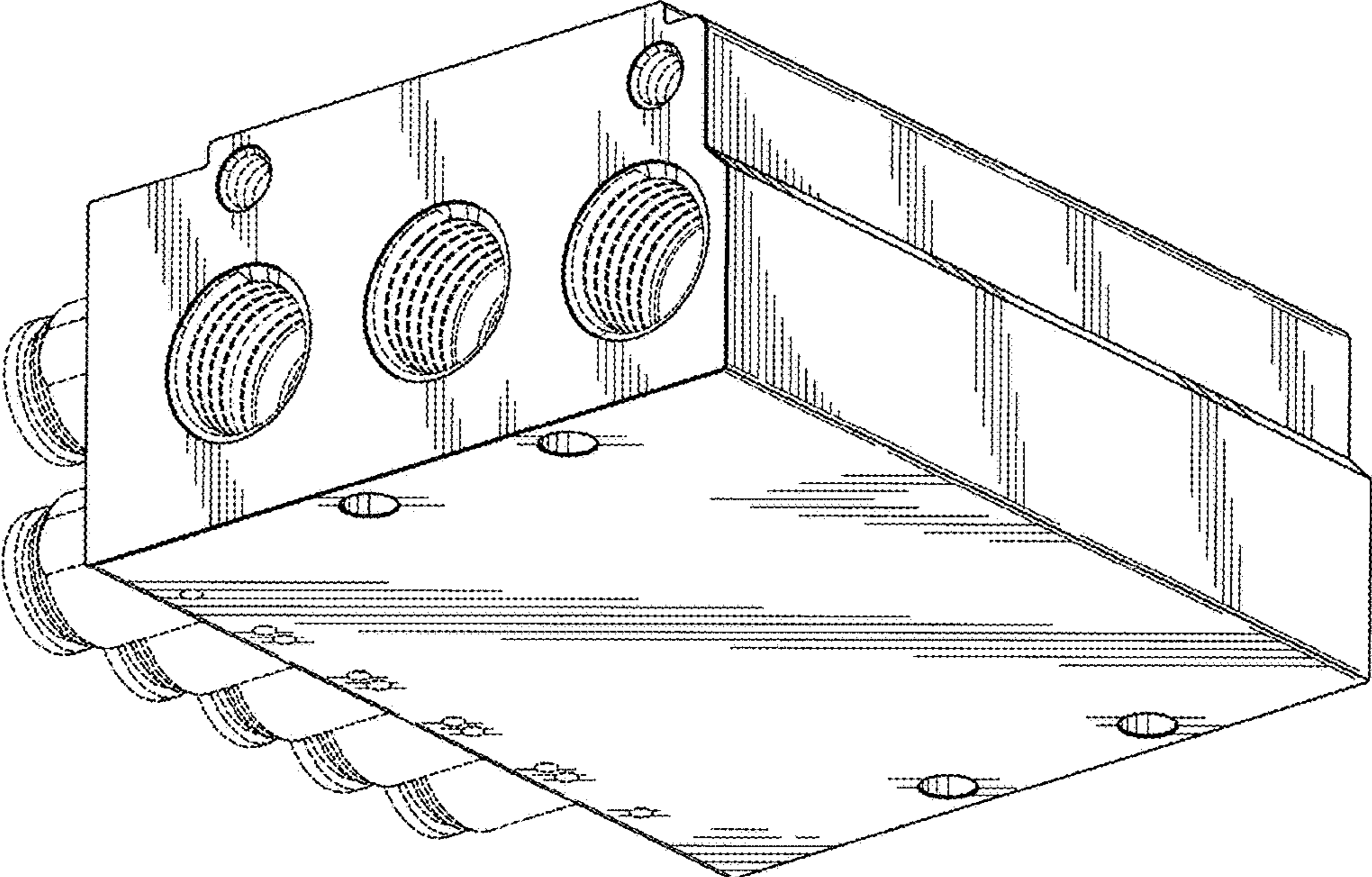
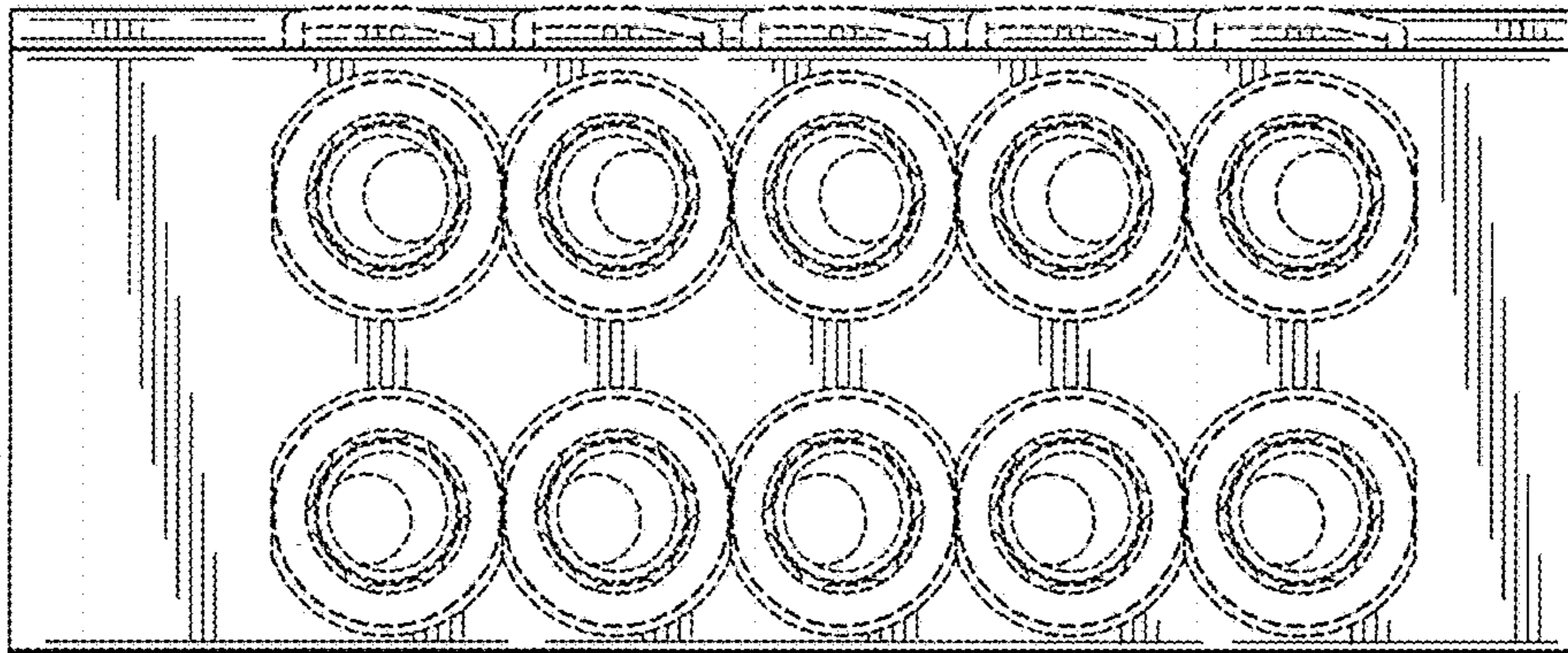


FIG. 2

FIG. 3



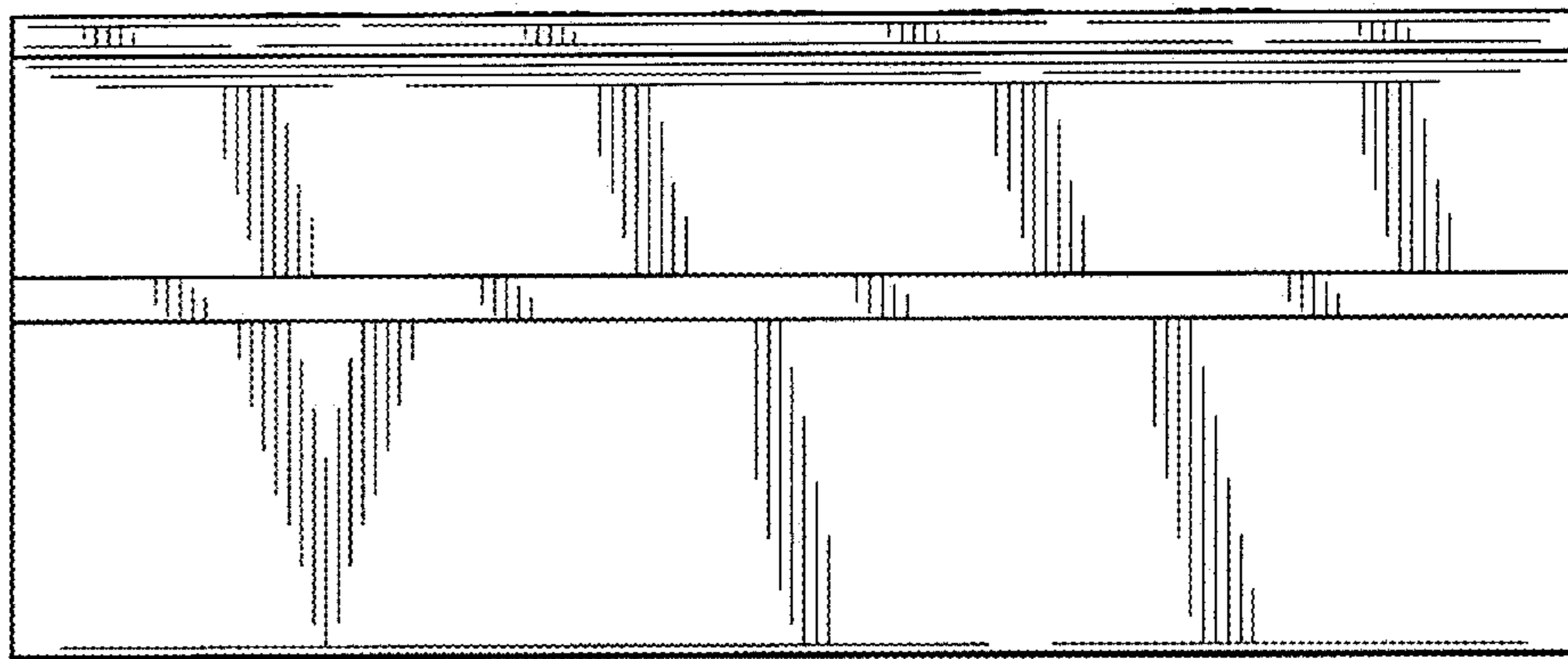


FIG. 4

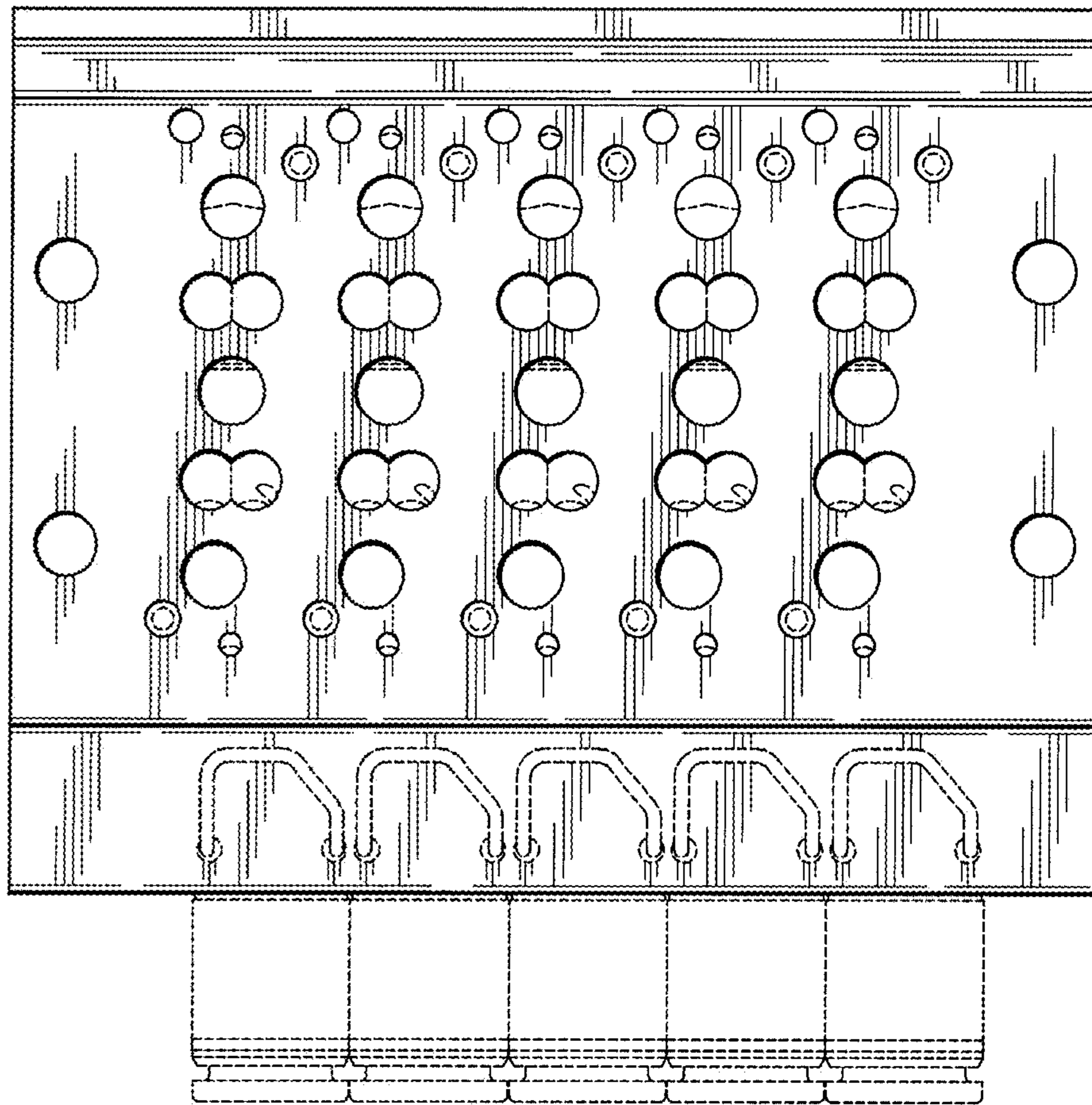


FIG. 5

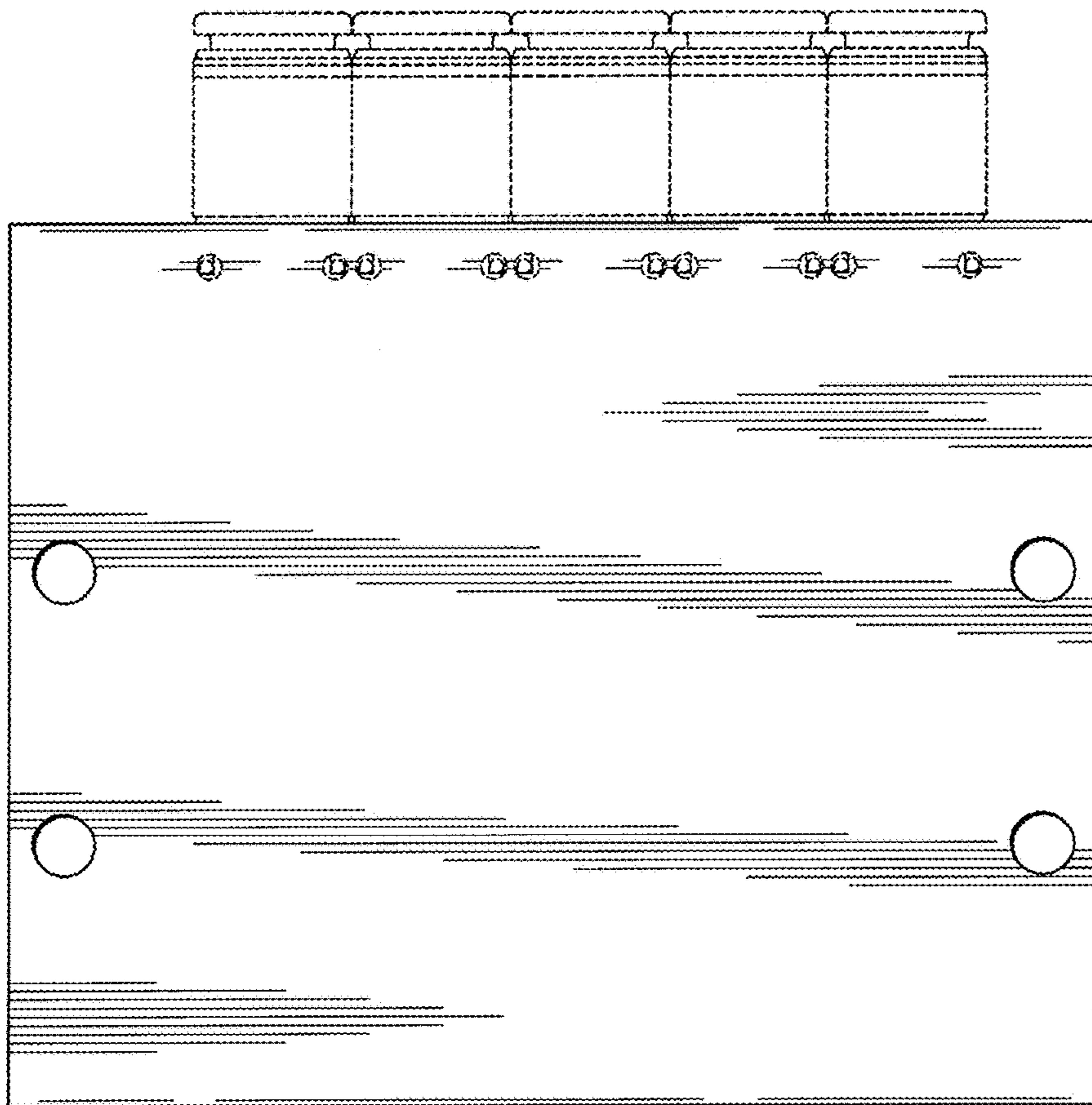


FIG. 6

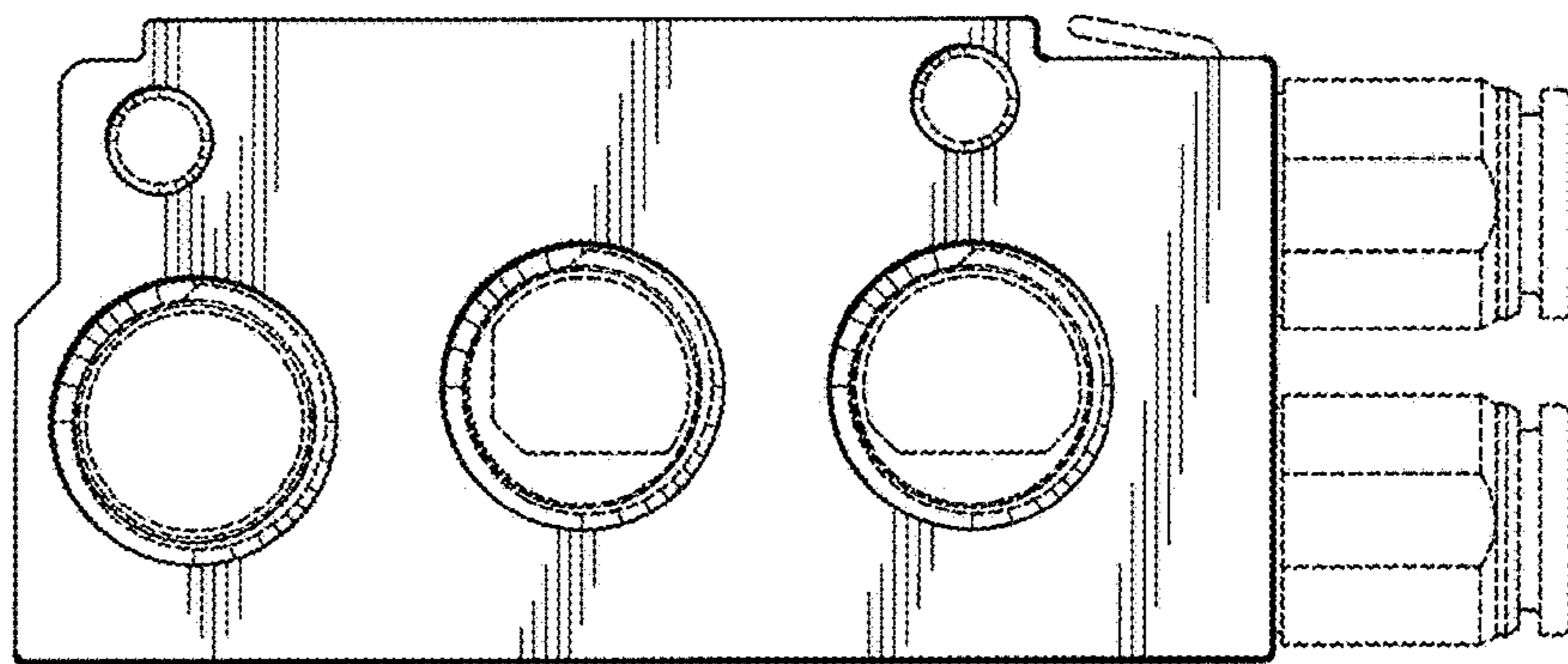


FIG. 7