



US00D830508S

(12) **United States Design Patent**
Kanenari

(10) **Patent No.:** **US D830,508 S**
(45) **Date of Patent:** **** Oct. 9, 2018**

(54) **BOTTLE CAP FOR TIRE REPAIRING LIQUID CONTAINER BOTTLE**

(71) Applicant: **THE YOKOHAMA RUBBER CO., LTD.**, Minato-ku, Tokyo (JP)

(72) Inventor: **Daisuke Kanenari**, Hiratsuka (JP)

(73) Assignee: **THE YOKOHAMA RUBBER CO., LTD.**, Minato-ku, Tokyo (JP)

(**) Term: **15 Years**

(21) Appl. No.: **29/617,549**

(22) Filed: **Sep. 14, 2017**

(30) **Foreign Application Priority Data**

Mar. 14, 2017 (JP) 2017-005136

(51) **LOC (11) Cl.** **23-01**

(52) **U.S. Cl.**
USPC **D23/225**

(58) **Field of Classification Search**
USPC D23/213, 225, 202; 239/152-154, 337, 239/373, 302, 308, 312, 317; D15/199; D9/715, 719; 141/38, 39
CPC B05B 9/08; B05B 9/0816; B05B 7/2443; B05B 7/2408; B05B 7/2421; B29C 73/166

See application file for complete search history.

(56) **References Cited**

U.S. PATENT DOCUMENTS

8,020,588 B2 * 9/2011 Wang B29C 73/166 141/100
8,205,645 B2 * 6/2012 Dowel B29C 73/166 141/38

8,671,995 B2 * 3/2014 Chou B29C 73/166 141/105
8,733,407 B2 * 5/2014 Eckhardt B29C 73/166 141/104
8,978,717 B2 * 3/2015 Nakao B29C 73/166 141/38
9,050,866 B2 * 6/2015 Hong B60C 25/16
9,168,798 B2 * 10/2015 Eckhardt B29C 73/166
9,682,520 B2 * 6/2017 Chou B29C 73/025
9,902,119 B2 * 2/2018 Sekiguchi B29C 73/166

* cited by examiner

Primary Examiner — Robin Valery Webster

(74) *Attorney, Agent, or Firm* — Banner & Witcoff, Ltd.

(57) **CLAIM**

The ornamental design for a bottle cap for tire repairing liquid container bottle, as shown and described.

DESCRIPTION

FIG. 1 is a first perspective view of a bottle cap for tire repairing liquid container bottle according to my design showing front side, top side and right side;
FIG. 2 is a second perspective view thereof showing front side, bottom side and left side;
FIG. 3 is a front view thereof;
FIG. 4 is a rear view thereof;
FIG. 5 is a left side view thereof;
FIG. 6 is a right side view thereof;
FIG. 7 is a top side view thereof; and,
FIG. 8 is a bottom view thereof.

The broken lines showing various features of the bottle cap for tire repairing liquid container bottle represent unclaimed subject matter and form no part of the claimed design. The broken lines showing the remainder of the tire repairing liquid container bottle represent environmental subject matter forming no part of the claimed design.

1 Claim, 8 Drawing Sheets

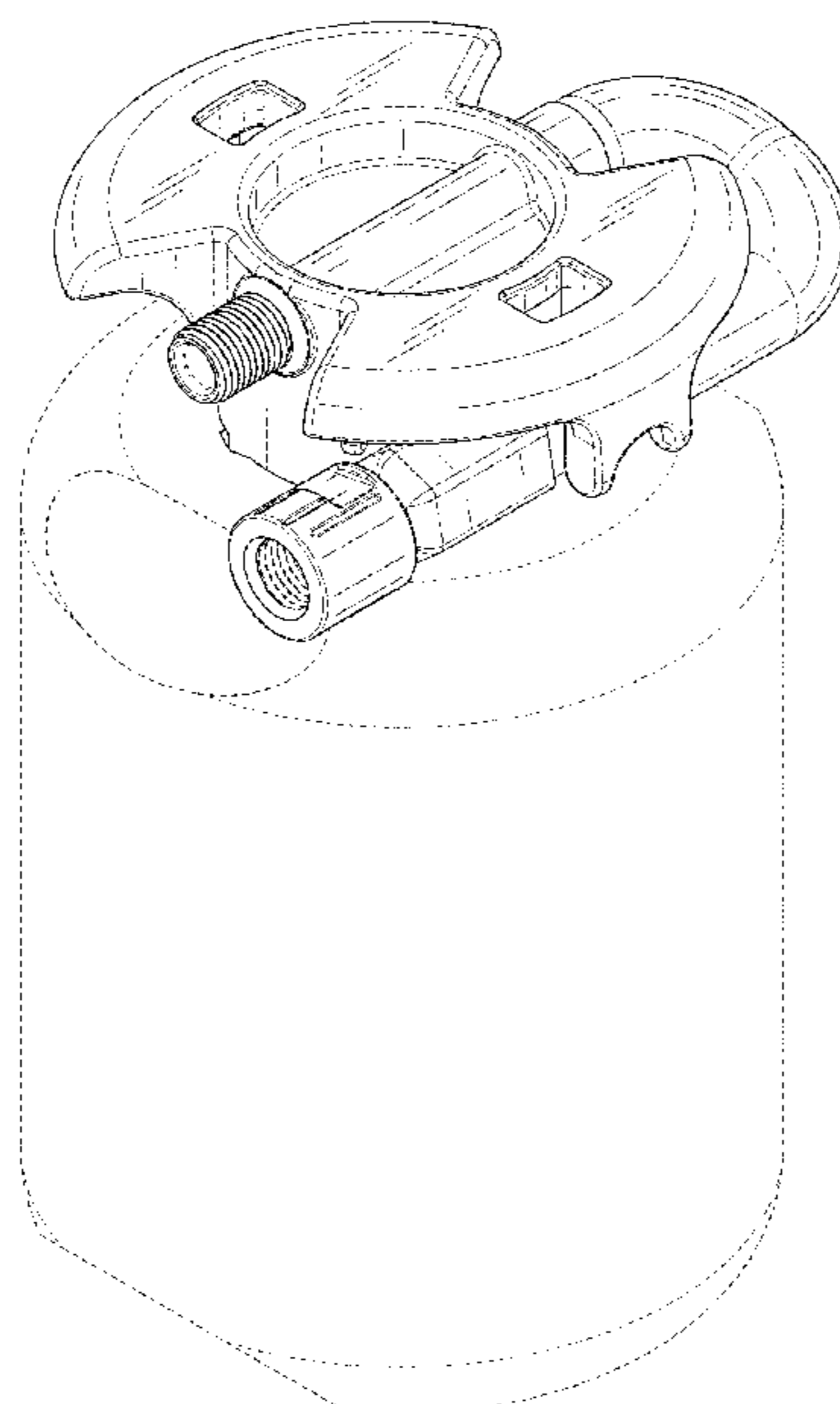


Fig. 1

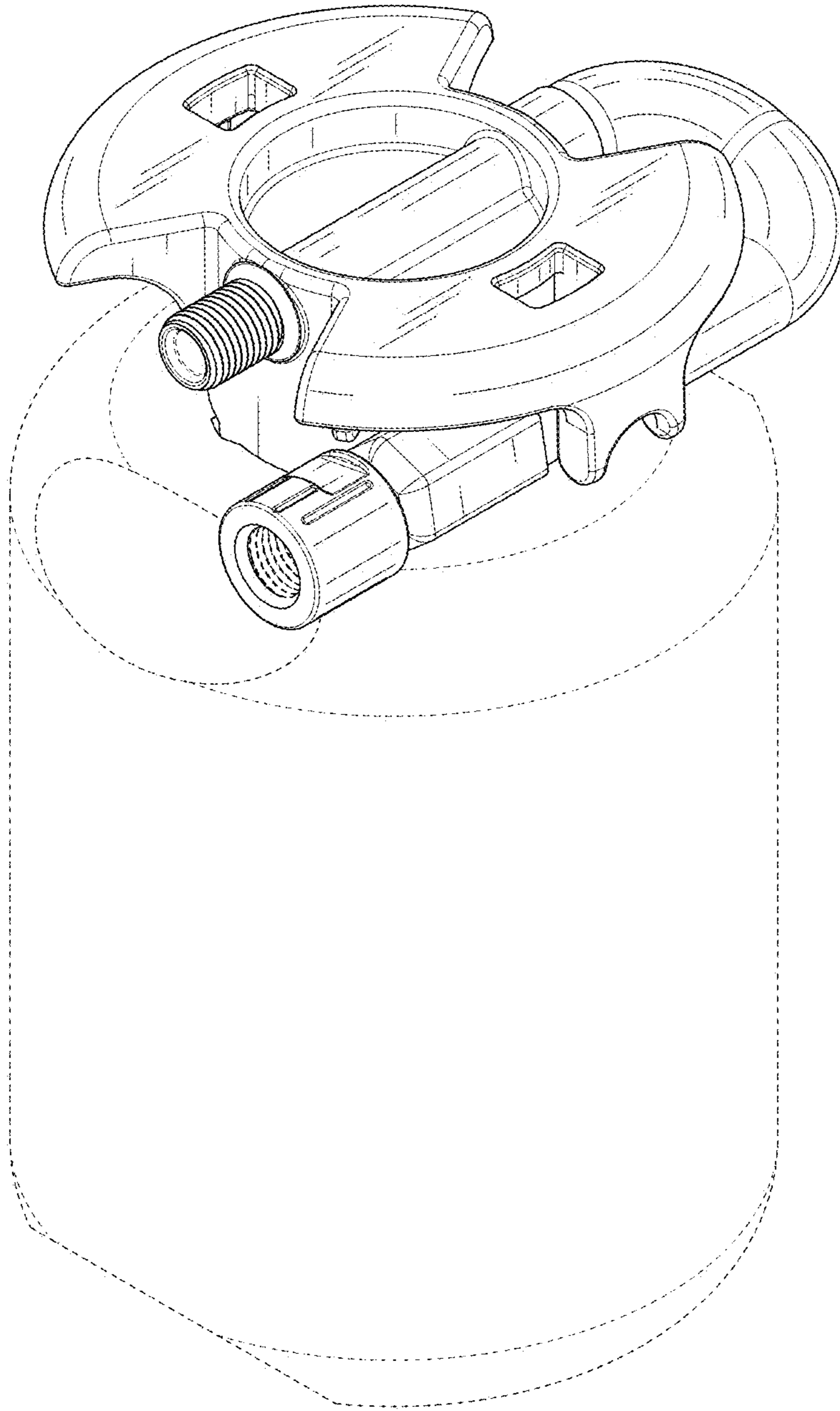


Fig. 2

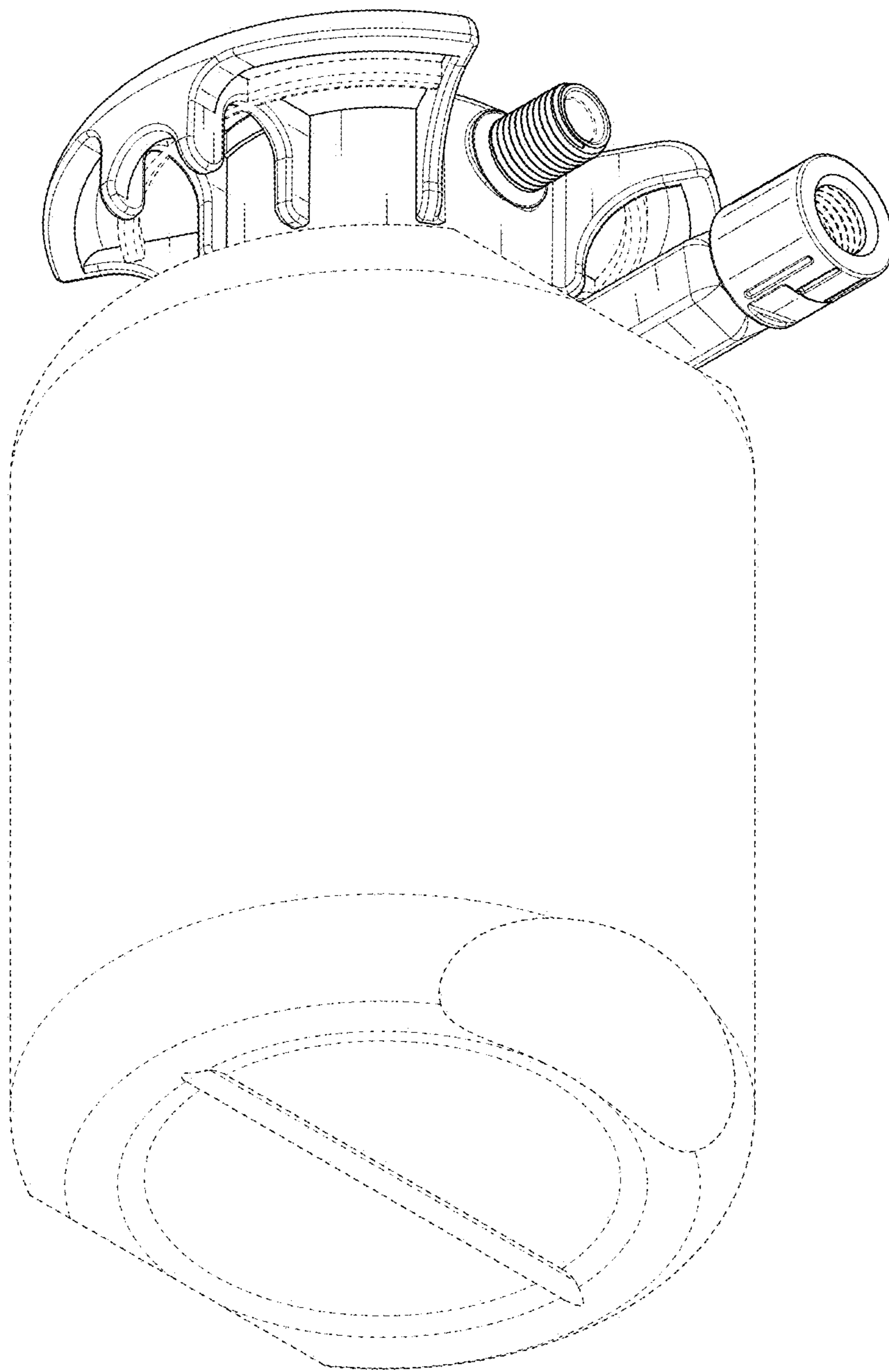


Fig. 3

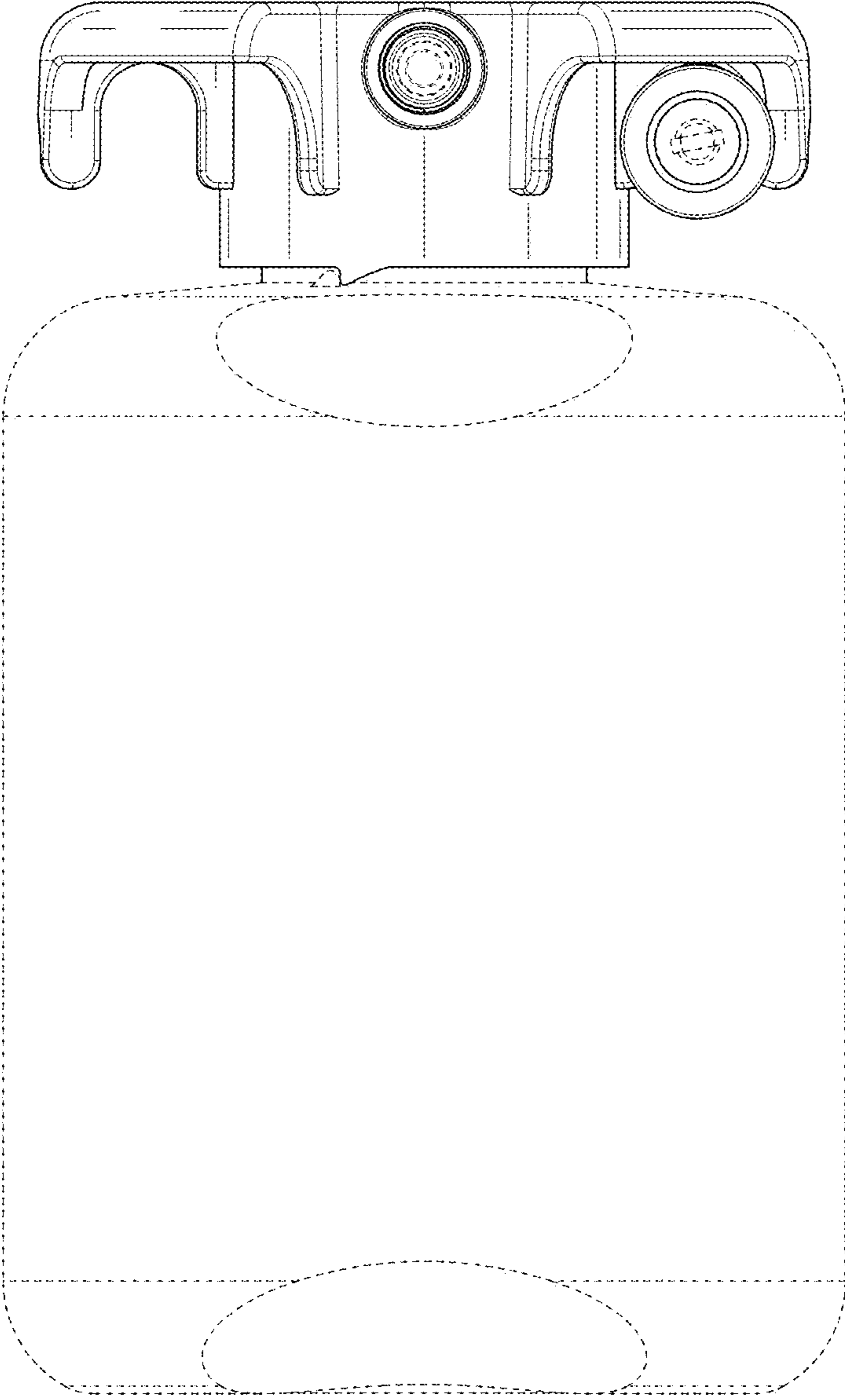


Fig. 4

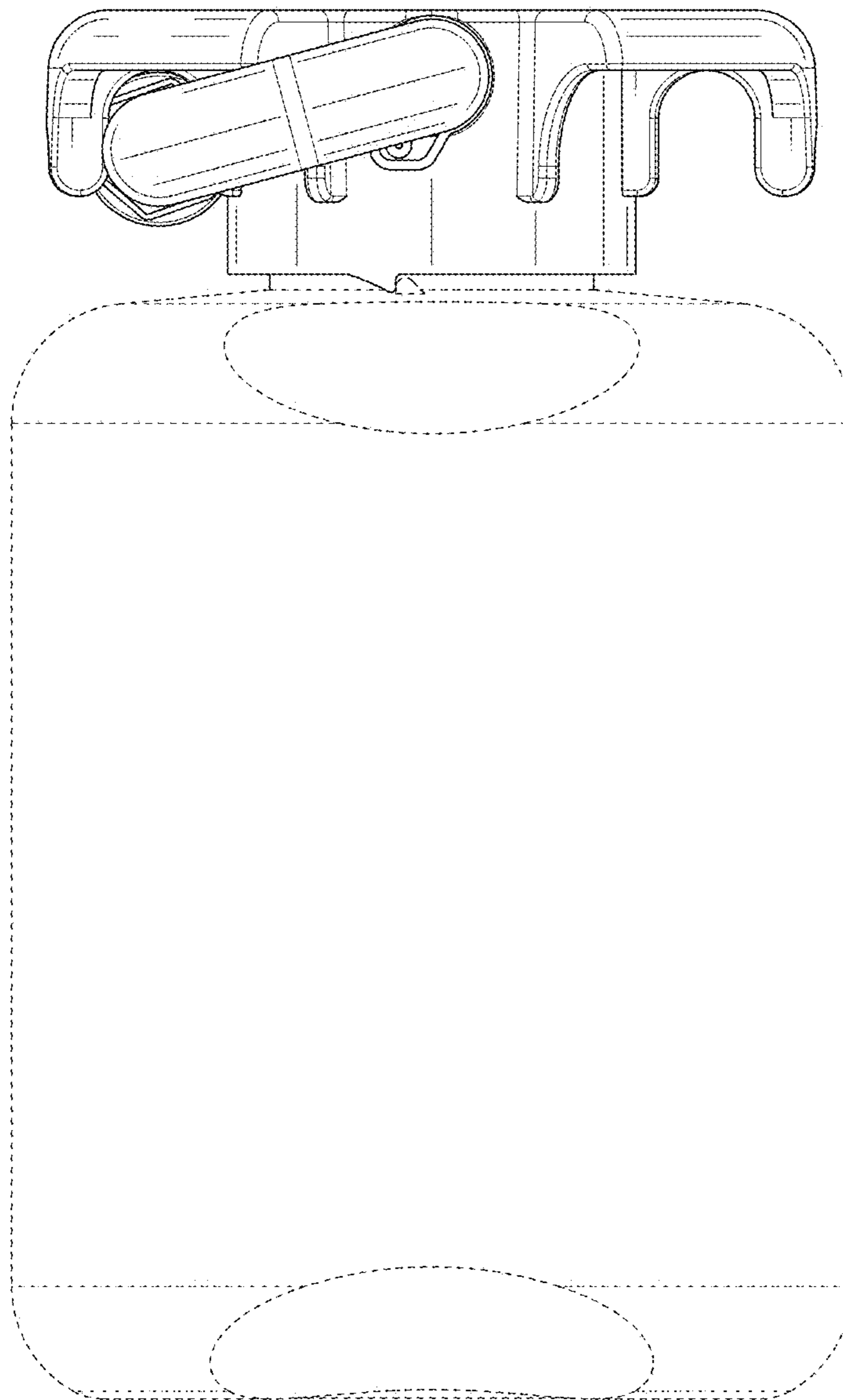


Fig. 5

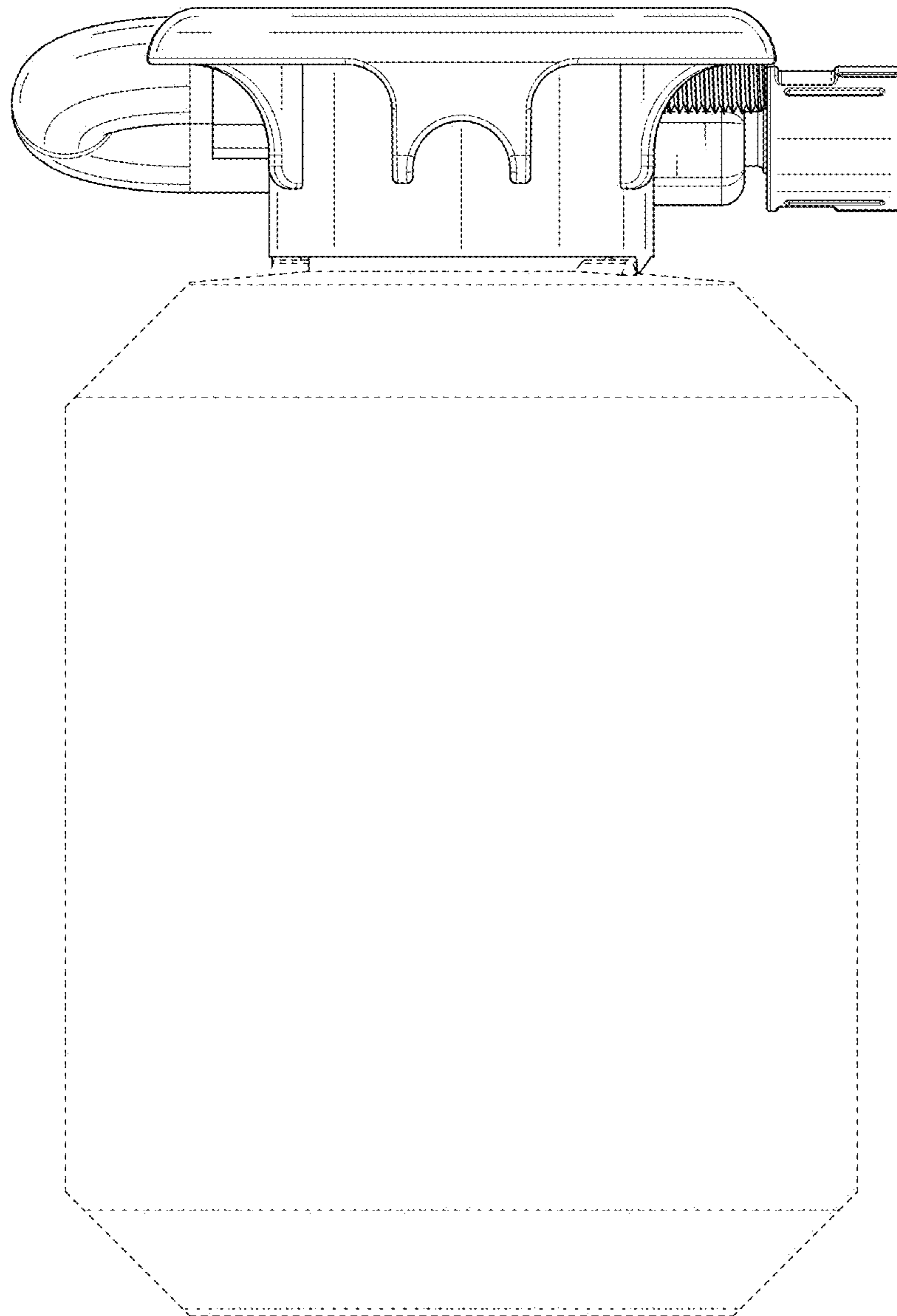


Fig. 6

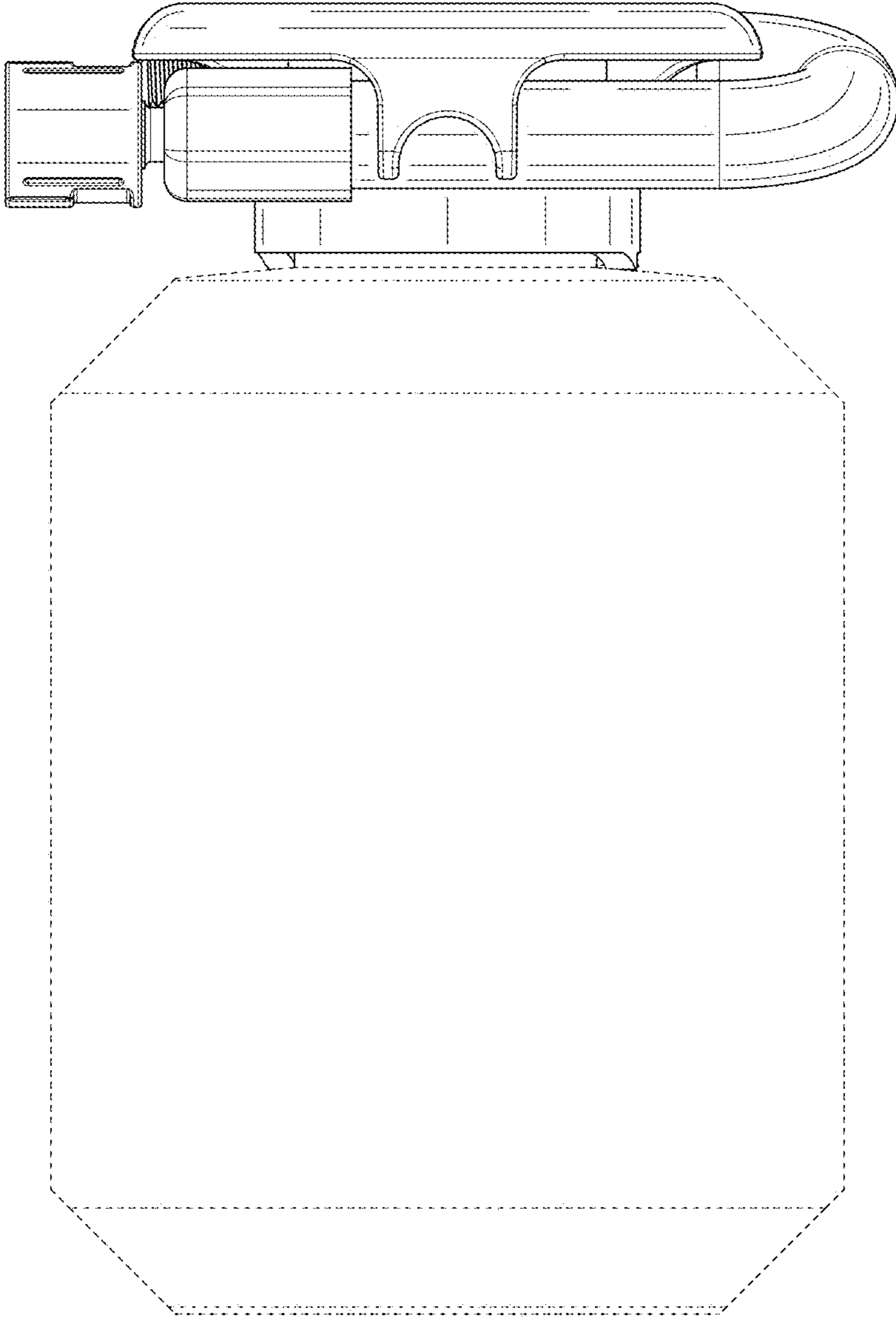


Fig. 7

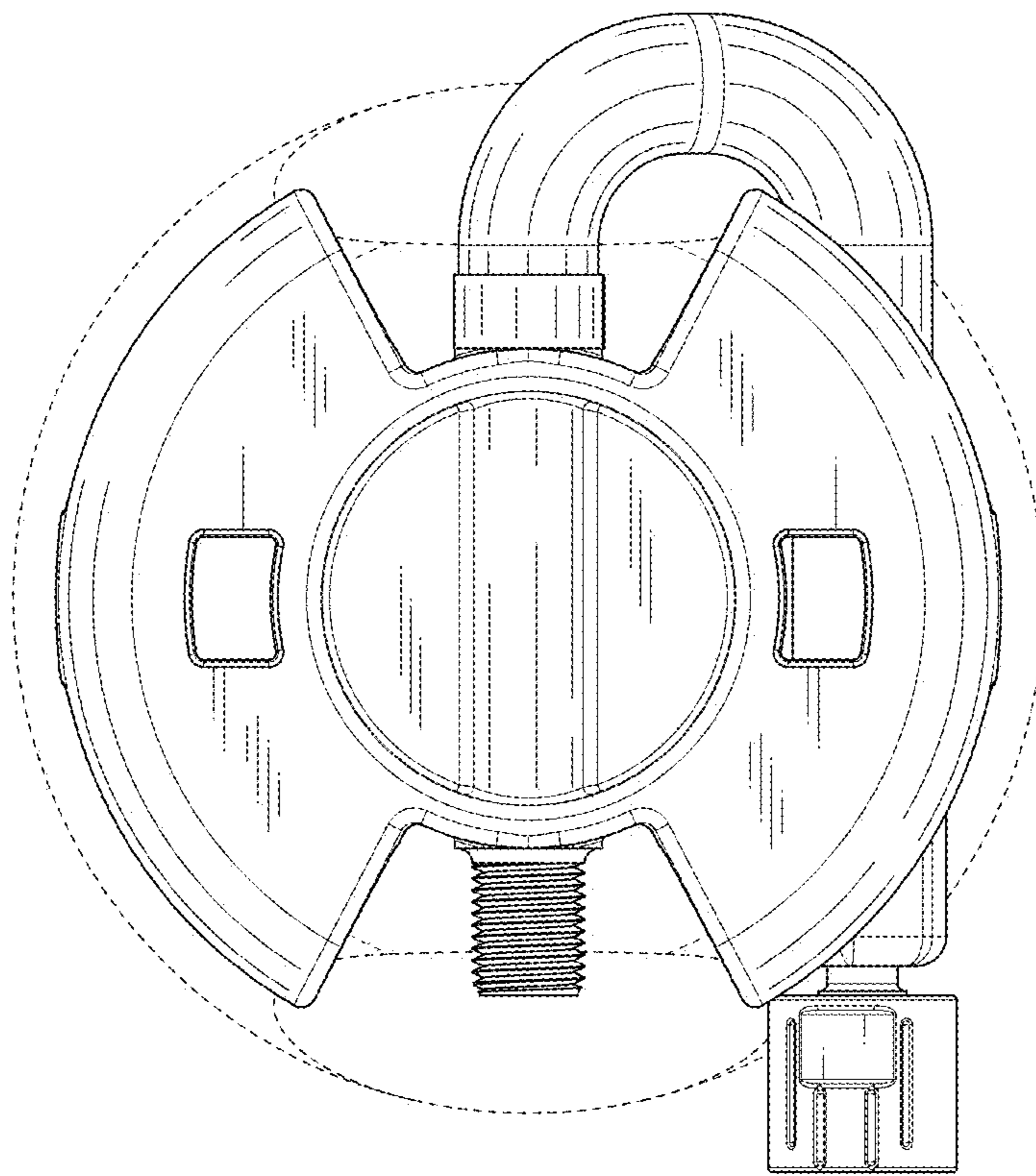


Fig. 8

