



US00D830507S

(12) **United States Design Patent**
Kanenari

(10) **Patent No.:** **US D830,507 S**
(45) **Date of Patent:** **** Oct. 9, 2018**

(54) **TIRE REPAIRING LIQUID CONTAINER BOTTLE**

(71) Applicant: **THE YOKOHAMA RUBBER CO., LTD.**, Minato-ku, Tokyo (JP)

(72) Inventor: **Daisuke Kanenari**, Hiratsuka (JP)

(73) Assignee: **THE YOKOHAMA RUBBER CO., LTD.**, Minato-ku, Tokyo (JP)

(**) Term: **15 Years**

(21) Appl. No.: **29/617,531**

(22) Filed: **Sep. 14, 2017**

(30) **Foreign Application Priority Data**

Mar. 14, 2017 (JP) 2017-005135

(51) **LOC (11) Cl.** **23-01**

(52) **U.S. Cl.**
USPC **D23/225**

(58) **Field of Classification Search**

USPC D23/213, 225, 202; 239/152-154, 337,
239/373, 302, 308, 312, 317; D15/199;
D9/715, 719; 141/38, 39
CPC B05B 9/08; B05B 9/0816; B05B 7/2443;
B05B 7/2408; B05B 7/2421; B29C
73/166

See application file for complete search history.

(56) **References Cited**

U.S. PATENT DOCUMENTS

8,020,588 B2 * 9/2011 Wang B29C 73/166
141/100
8,205,645 B2 * 6/2012 Dowel B29C 73/166
141/38

8,671,995 B2 * 3/2014 Chou B29C 73/166
141/105
8,733,407 B2 * 5/2014 Eckhardt B29C 73/166
141/104
8,978,717 B2 * 3/2015 Nakao B29C 73/166
141/38
9,050,866 B2 * 6/2015 Hong B60C 25/16
9,168,798 B2 * 10/2015 Eckhardt B29C 73/166
9,682,520 B2 * 6/2017 Chou B29C 73/025
9,902,119 B2 * 2/2018 Sekiguchi B29C 73/166

* cited by examiner

Primary Examiner — Robin Valery Webster

(74) *Attorney, Agent, or Firm* — Banner & Witcoff, Ltd.

(57) **CLAIM**

The ornamental design for a tire repairing liquid container bottle, as shown and described.

DESCRIPTION

FIG. 1 is a first perspective view of a tire repairing liquid container bottle according to my design showing front side, top side and right side;
FIG. 2 is a second perspective view thereof showing front side, bottom side and left side;
FIG. 3 is a front view thereof;
FIG. 4 is a rear view thereof;
FIG. 5 is a left side view thereof;
FIG. 6 is a right side view thereof;
FIG. 7 is a top side view thereof; and,
FIG. 8 is a bottom view thereof.

The broken lines showing various features of the tire repairing liquid container bottle represent unclaimed subject matter and form no part of the claimed design.

1 Claim, 8 Drawing Sheets

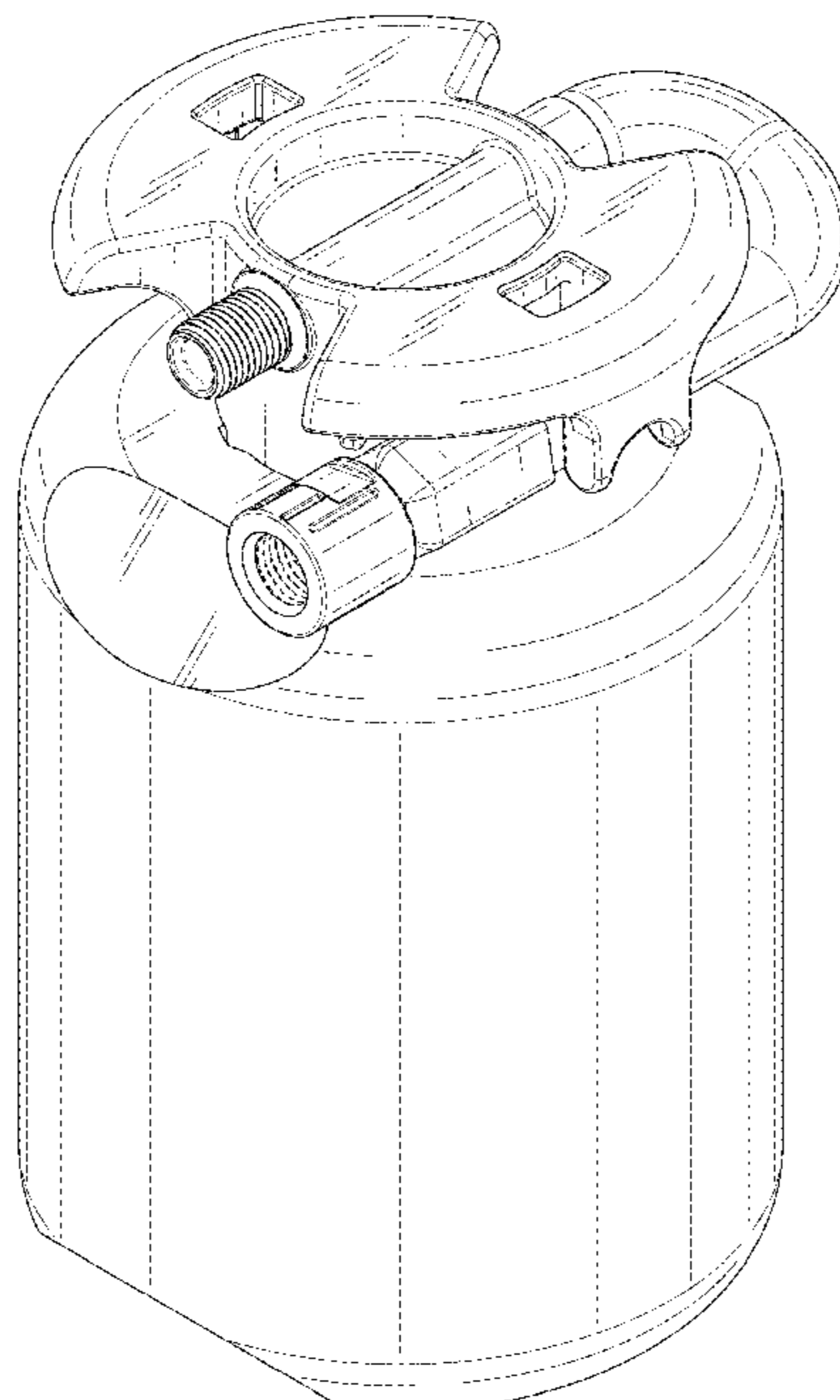


Fig. 1

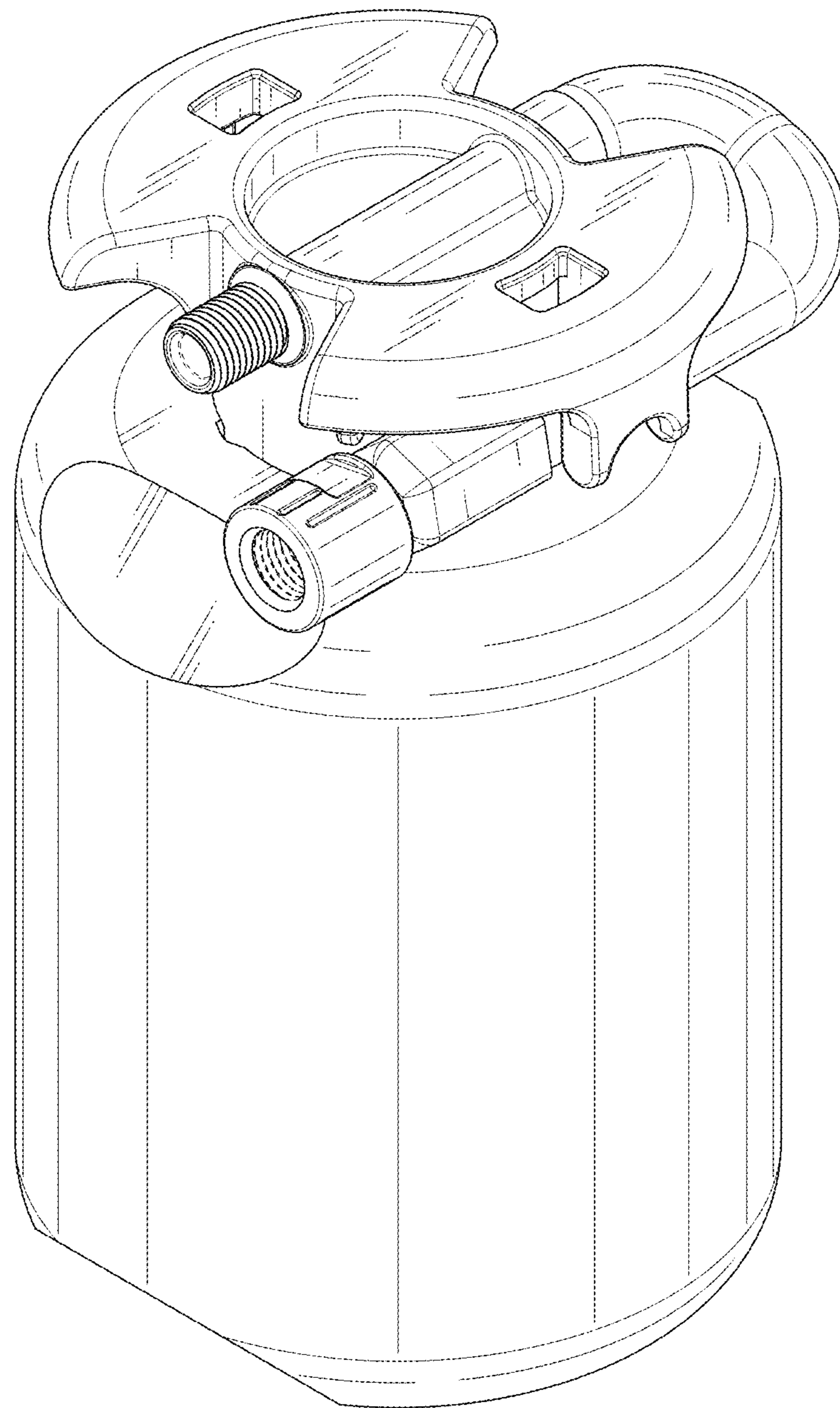


Fig. 2

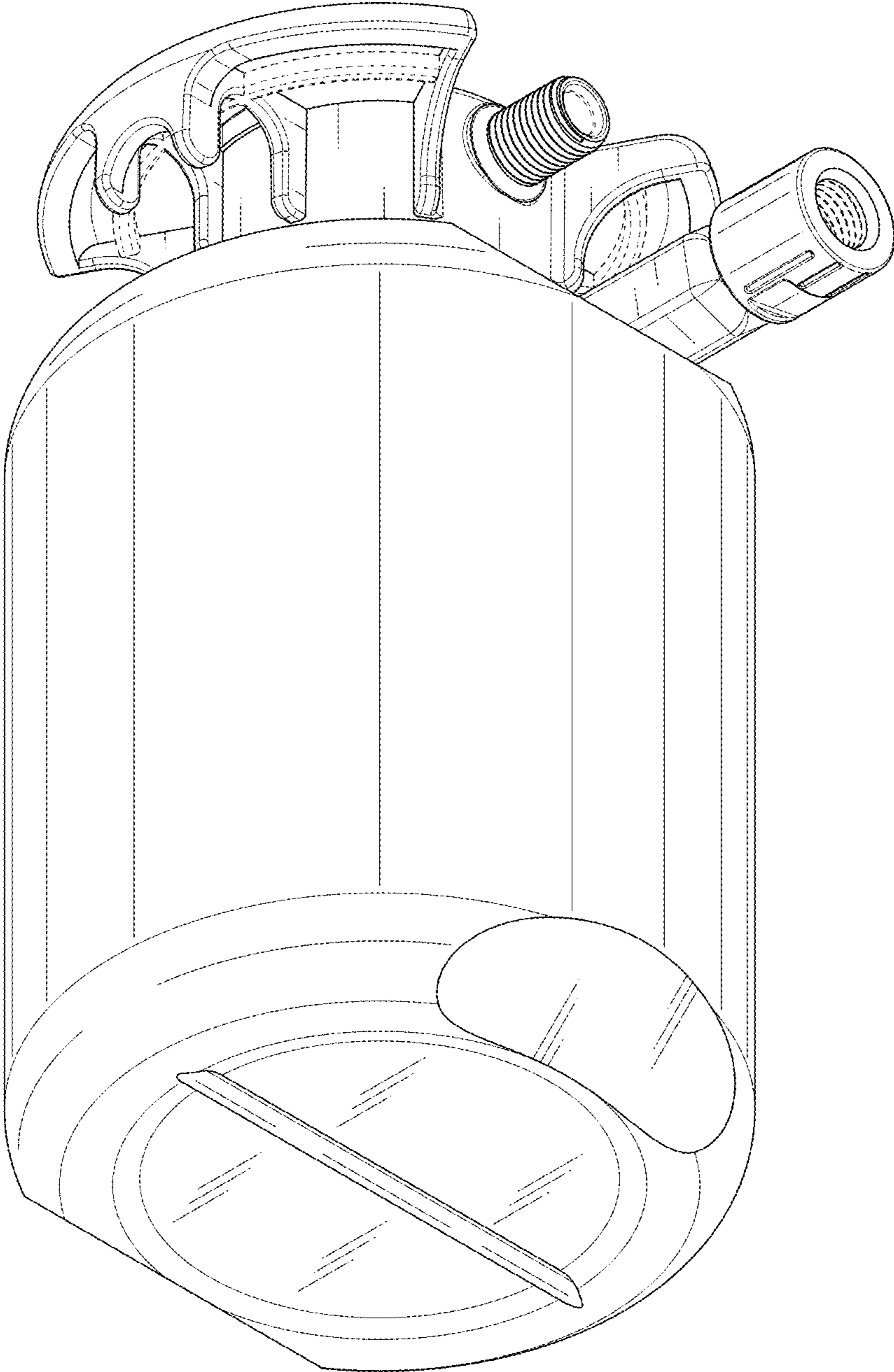


Fig. 3

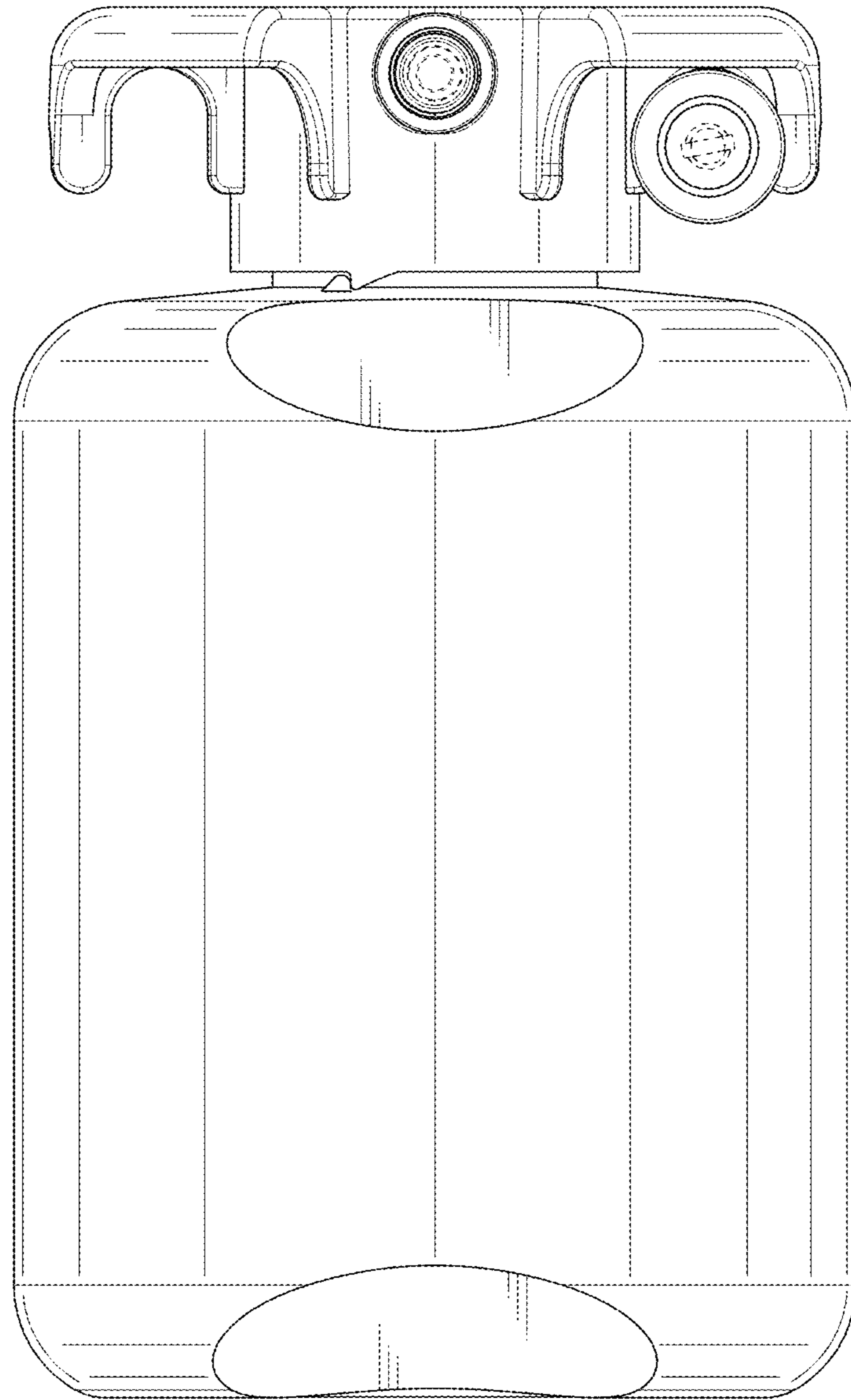


Fig. 4

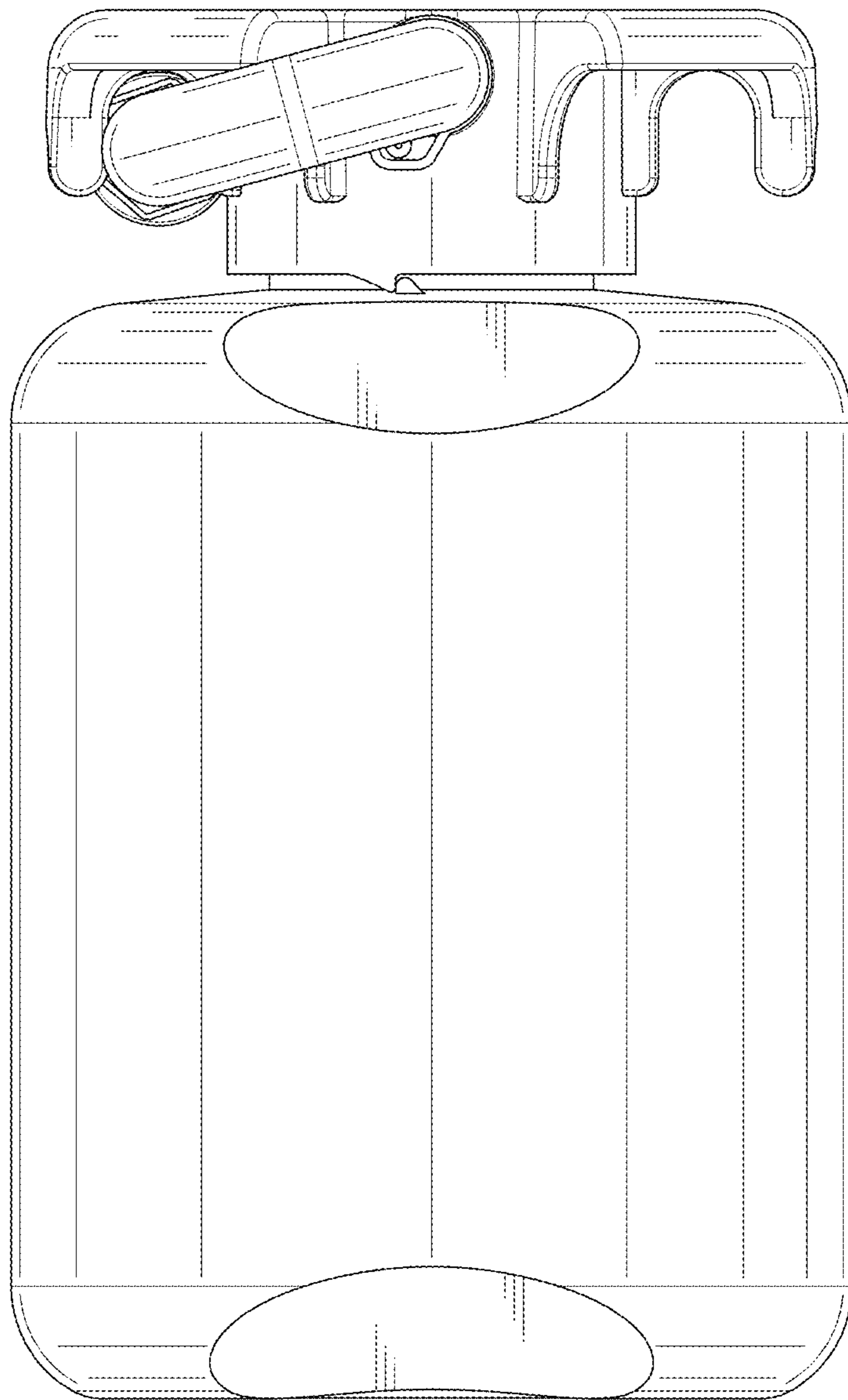


Fig. 5

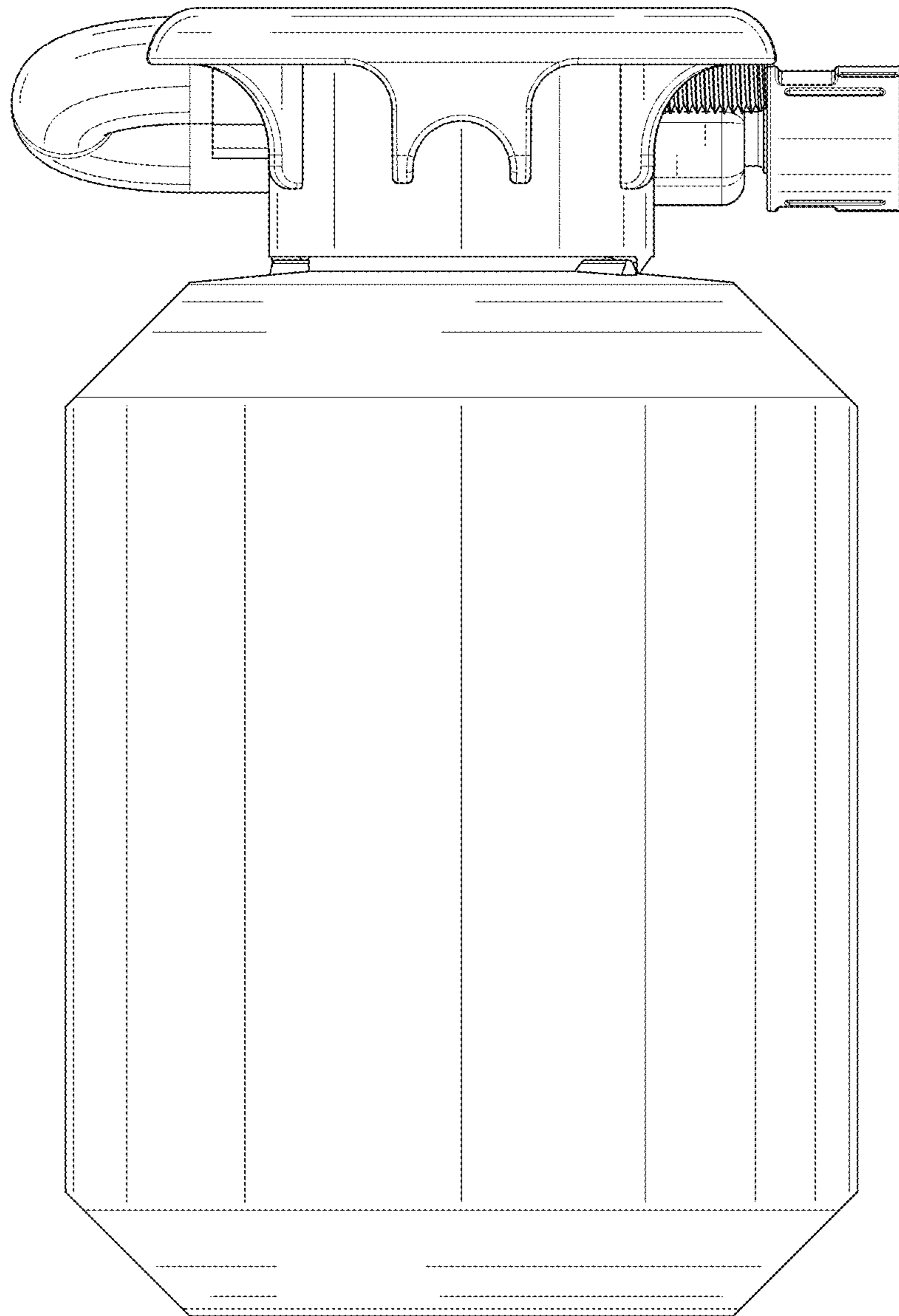


Fig. 6

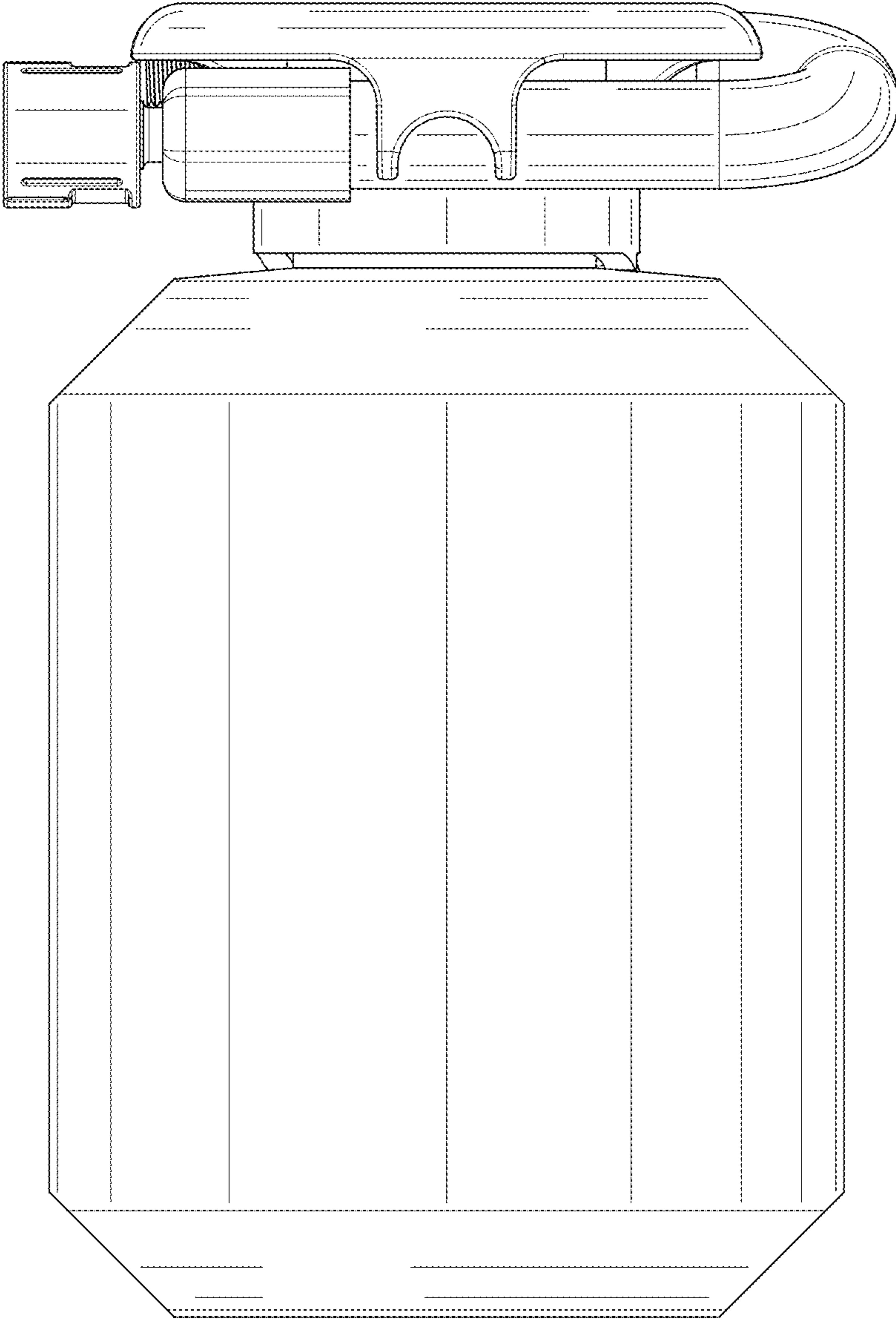


Fig. 7

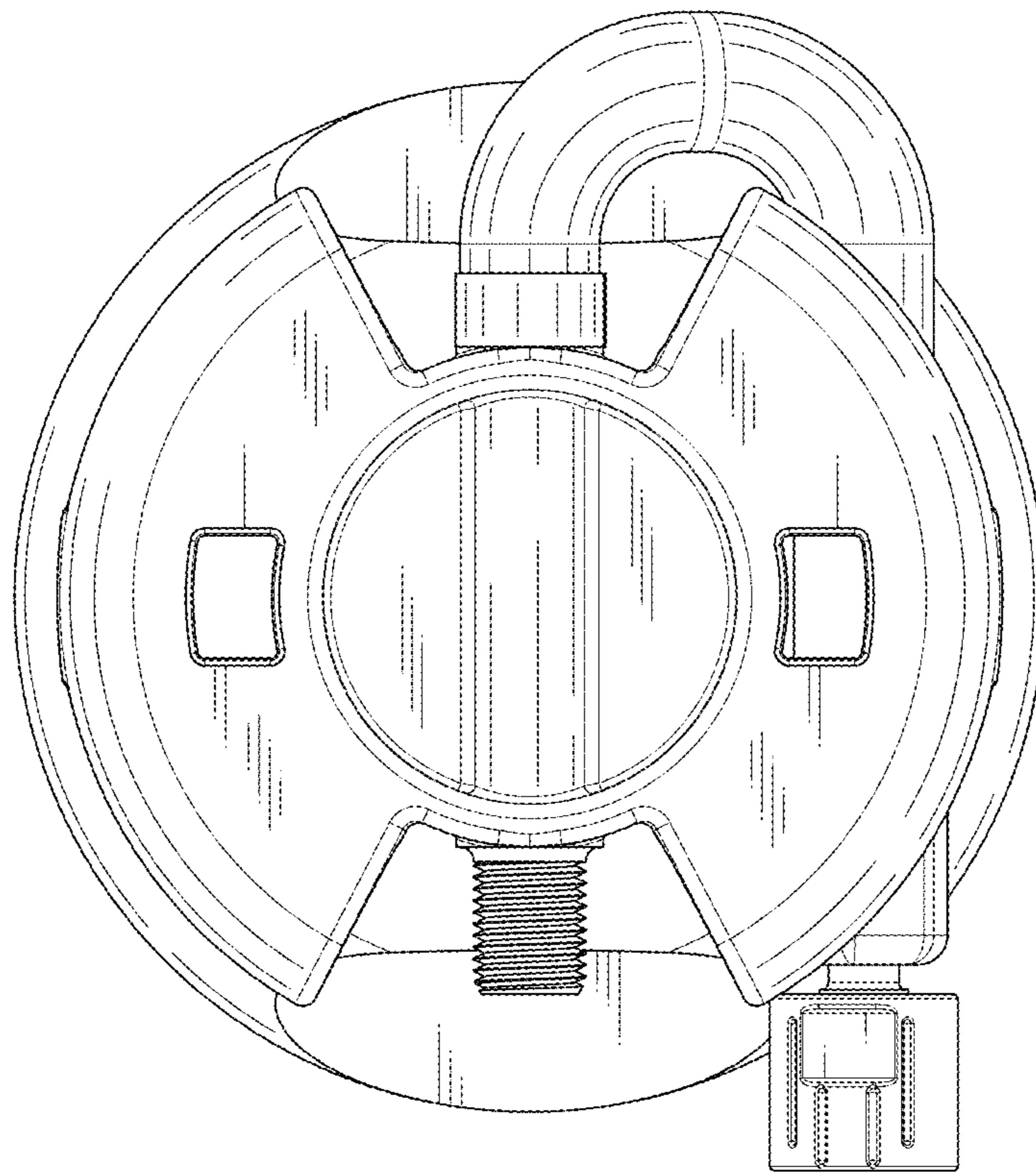


Fig. 8

