



US00D830506S

(12) **United States Design Patent** (10) **Patent No.:** **US D830,506 S**
Gehrung et al. (45) **Date of Patent:** **** Oct. 9, 2018**

(54) **BODY OF A SPRAY GUN FOR PAINT**

(56) **References Cited**

(71) Applicant: **SATA GmbH & Co. KG**,
Kornwestheim (DE)

(72) Inventors: **Ralf Gehrung**, Backnang (DE);
Albercht Kruse, Stuttgart (DE)

(73) Assignee: **SATA GmbH & Co. KG**,
Komwestheim (DE)

U.S. PATENT DOCUMENTS

D474,257 S	*	5/2003	Huang	D23/223
D510,609 S	*	10/2005	Huang	D23/223
D553,710 S	*	10/2007	Huang	D23/223
D573,689 S	*	7/2008	Tullney	D23/223
D574,059 S	*	7/2008	Huang	D23/223
D591,397 S	*	4/2009	Rigolio	D23/226
D608,857 S	*	1/2010	Chou	D23/223
D613,820 S	*	4/2010	Chou	D23/223

(**) Term: **15 Years**

(21) Appl. No.: **29/594,505**

(22) Filed: **Feb. 20, 2017**

* cited by examiner

Primary Examiner — Robin V Webster
(74) *Attorney, Agent, or Firm* — John S. Artz; Dickinson
Wright PLLC

(30) **Foreign Application Priority Data**

Aug. 19, 2016 (EM) 003347129

(51) **LOC (11) Cl.** **23-01**

(52) **U.S. Cl.**
USPC **D23/223**

(58) **Field of Classification Search**
USPC D23/213, 223, 226, 225; 239/525, 526,
239/291
CPC B05B 1/00; B05B 9/01; B05B 15/061;
B05B 3/00; B05B 5/00; B05B 1/005;
B05B 13/005; B05B 1/3026

See application file for complete search history.

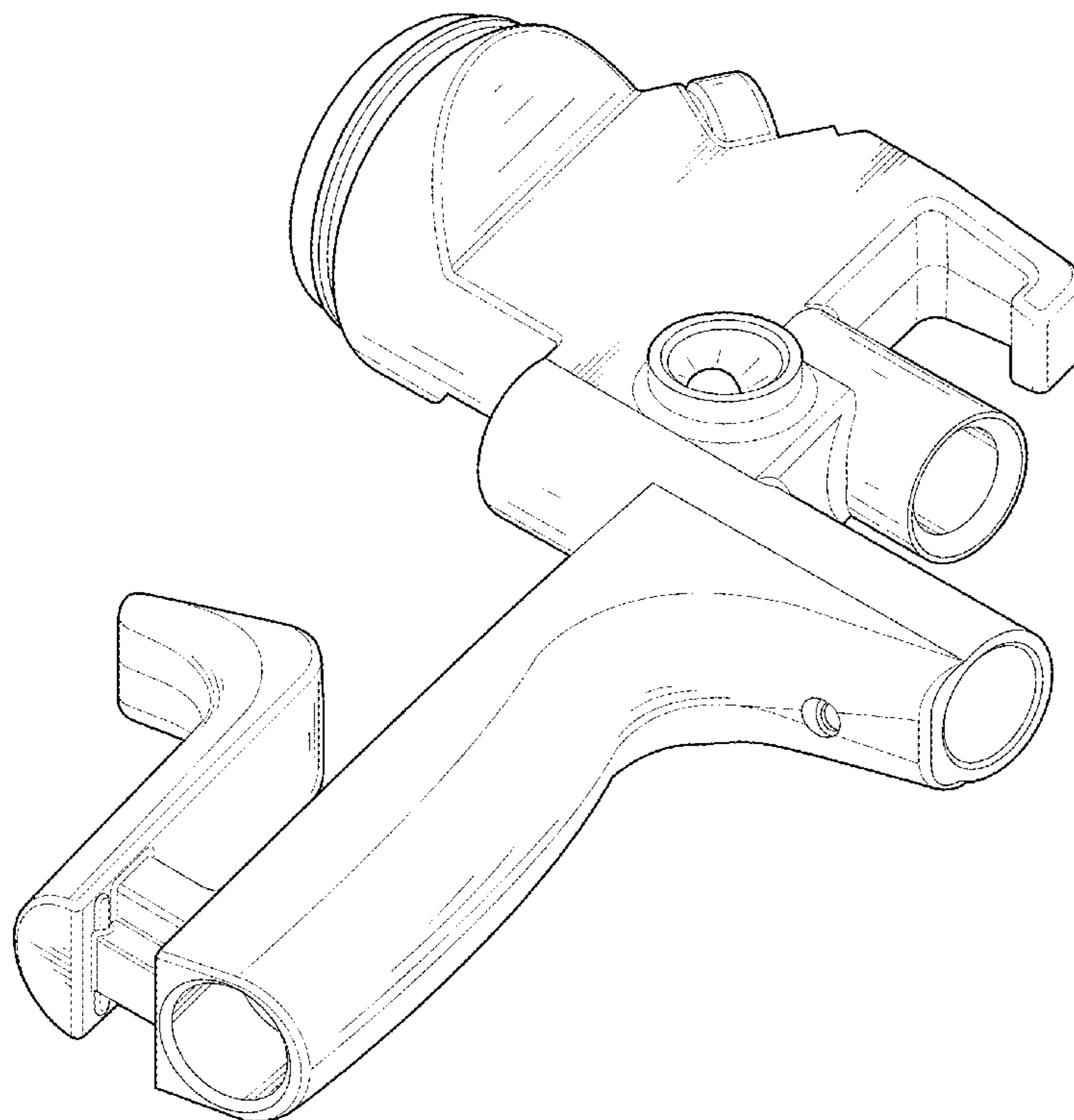
(57) **CLAIM**

The ornamental design for a body of a spray gun for paint or similar article, as shown and described.

DESCRIPTION

FIG. 1 is a bottom and left side perspective view of a body of spray gun in accordance with the present design;
FIG. 2 is a front side elevational view thereof;
FIG. 3 is a rear side elevational view thereof;
FIG. 4 is a left elevational view thereof;
FIG. 5 is a right elevational view thereof;
FIG. 6 is a top plan view thereof; and,
FIG. 7 is a bottom plan view thereof.

1 Claim, 5 Drawing Sheets



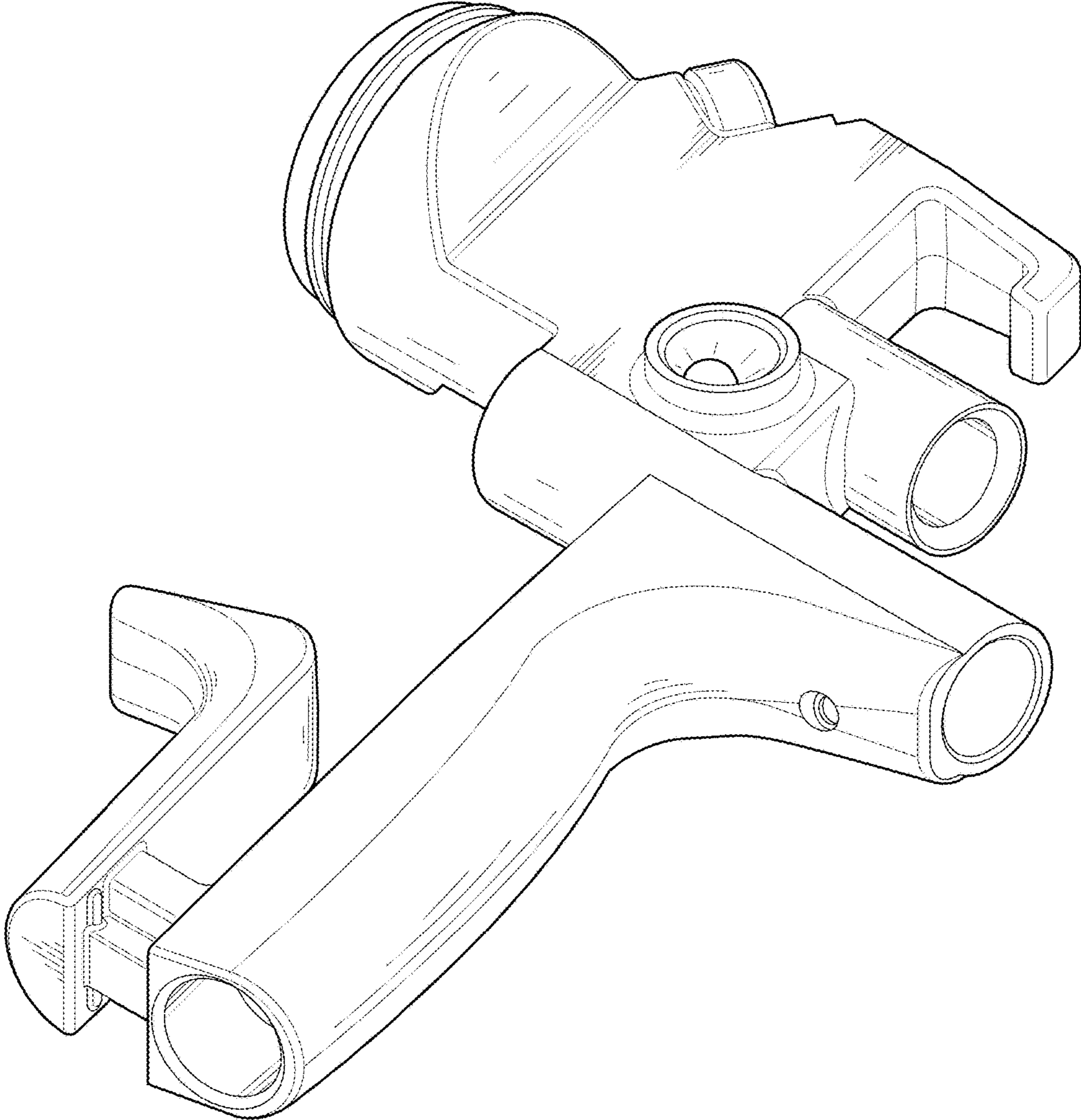


FIG. 1

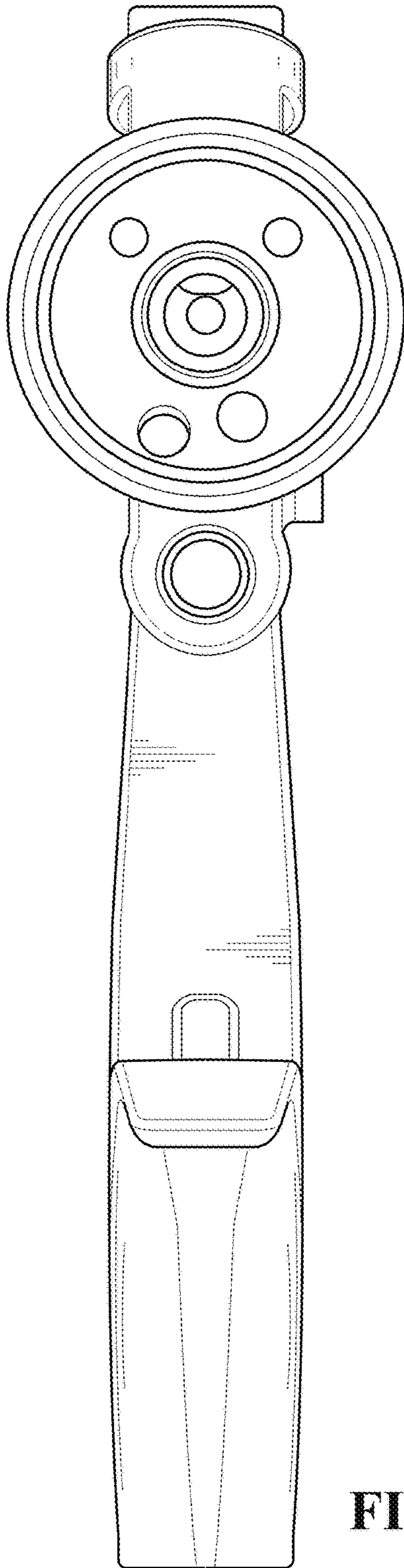


FIG. 2

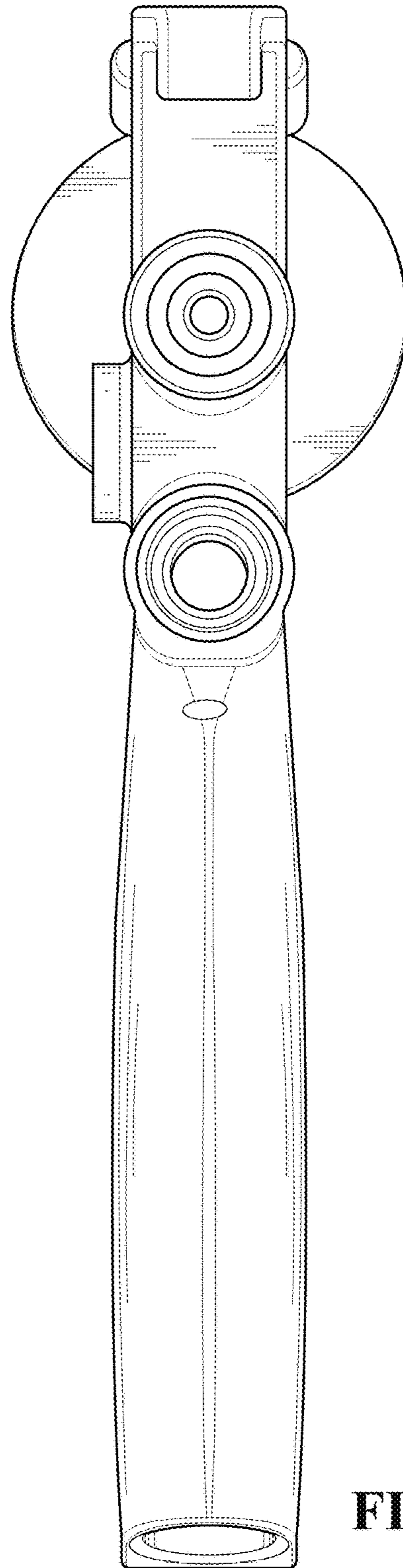


FIG. 3

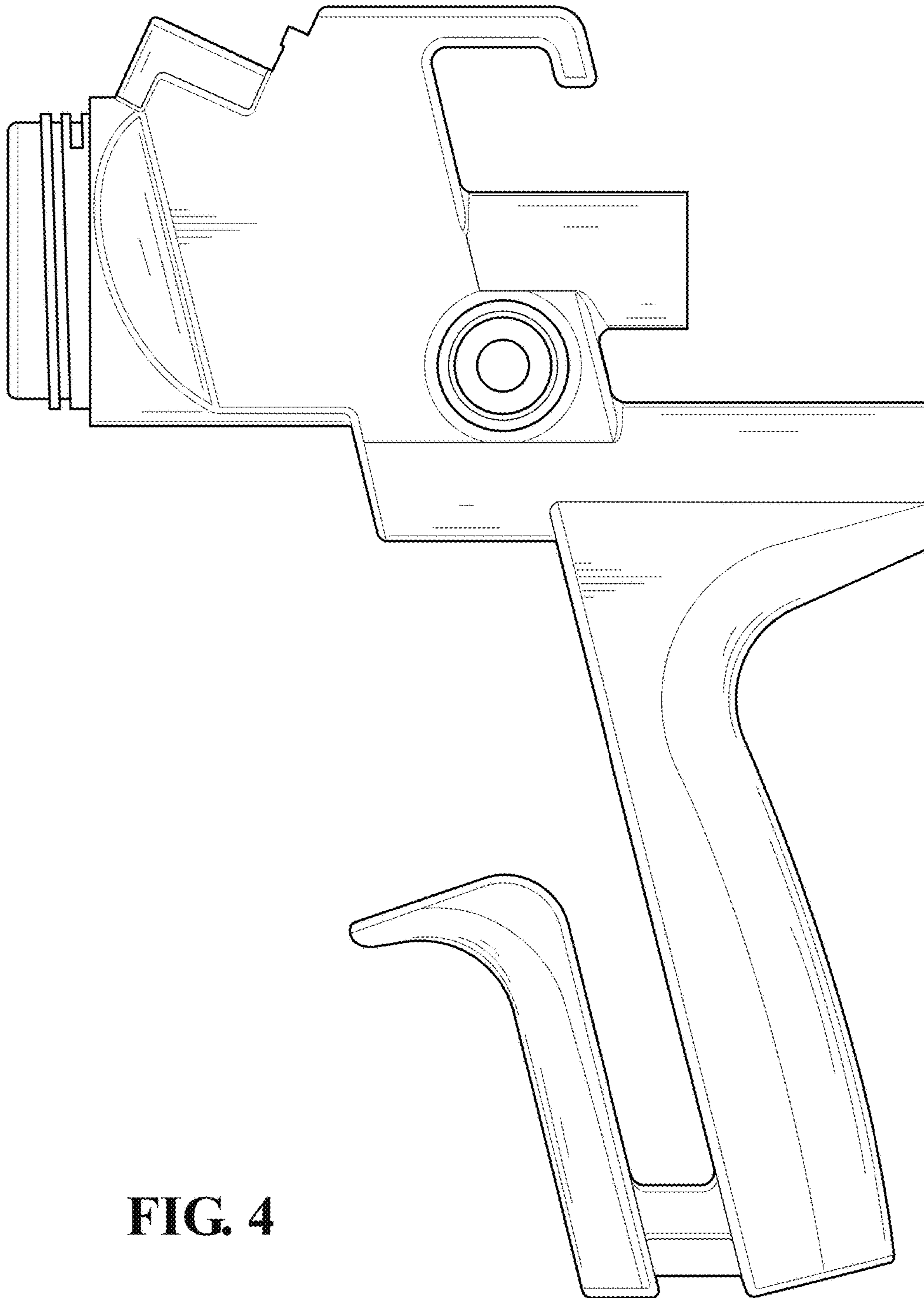


FIG. 4

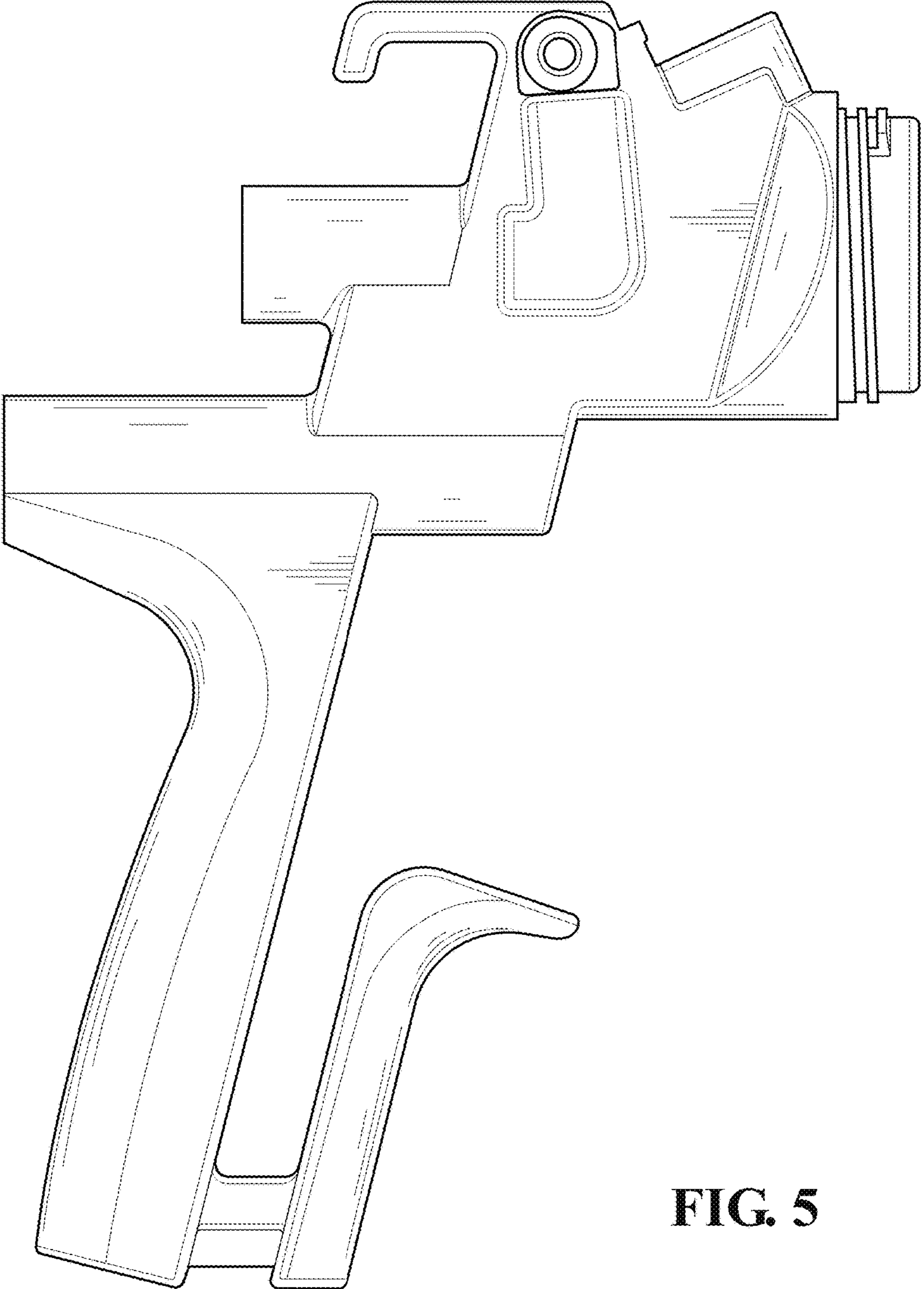


FIG. 5

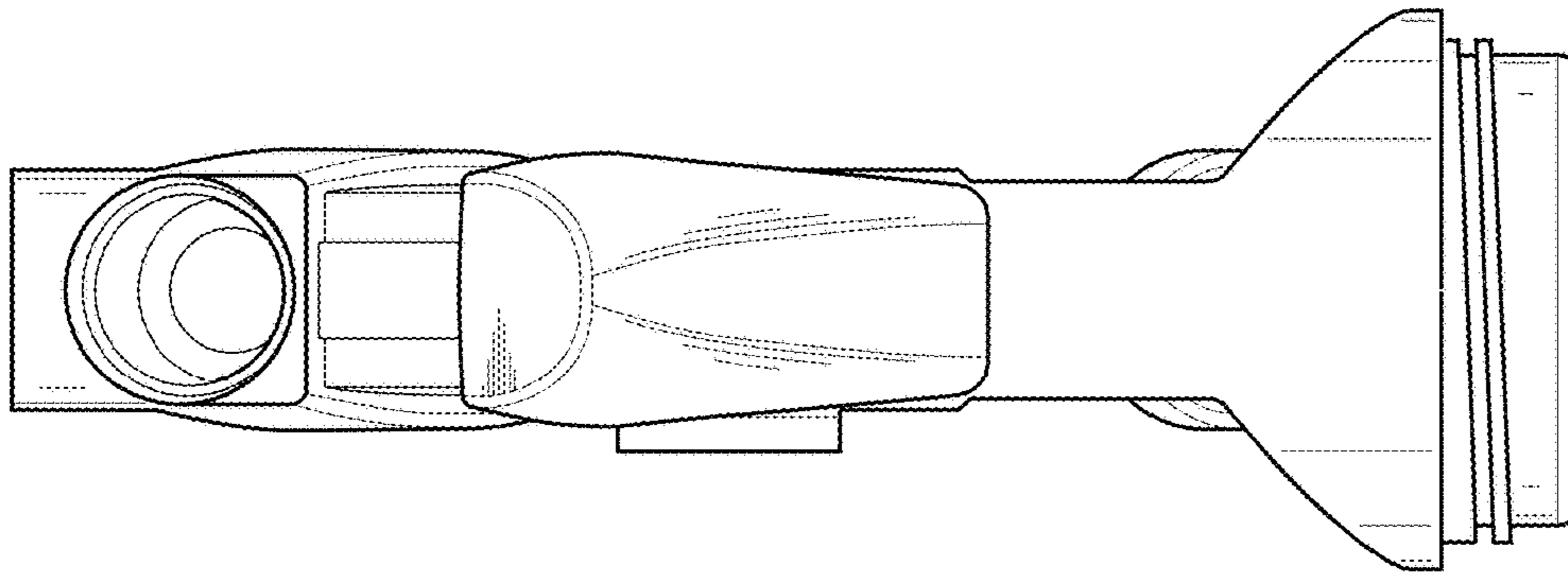


FIG. 7

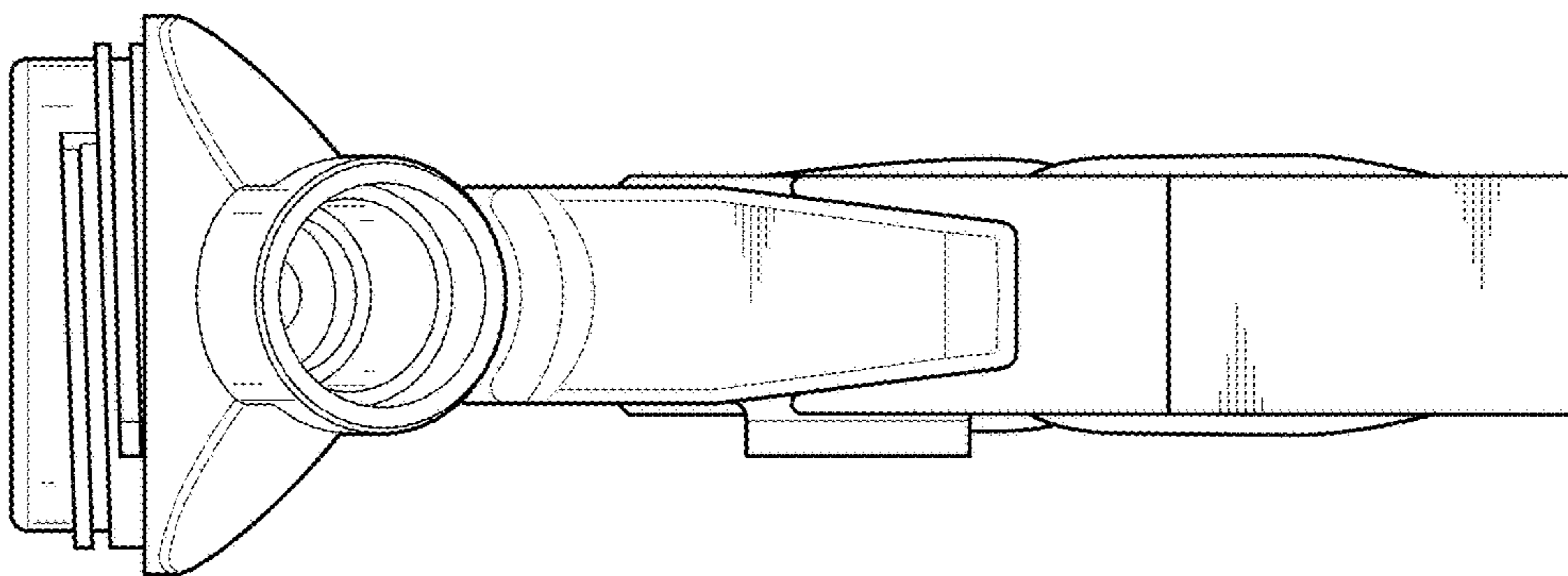


FIG. 6