



US00D830505S

(12) **United States Design Patent**
Bos et al.

(10) **Patent No.:** **US D830,505 S**
(45) **Date of Patent:** **** Oct. 9, 2018**

(54) **DISPENSER FOR A SANITARY APPLIANCE**

(71) Applicant: **Reckitt Benckiser (Brands) Limited**,
Slough, Berkshire (GB)

(72) Inventors: **Randy Franciscus Jozef Bos**,
Eindhoven (NL); **Bas Groenendaal**,
Eindhoven (NL); **Sophie Laude**,
Eindhoven (NL); **Kris Carver**, Slough
(GB); **Jostyn Logan Harrison**, Slough
(GB)

(73) Assignee: **RECKITT BENCKISER (BRANDS) LIMITED**, Slough, Berkshire (GB)

(**) Term: **15 Years**

(21) Appl. No.: **29/617,991**

(22) Filed: **Sep. 18, 2017**

(30) **Foreign Application Priority Data**

Mar. 28, 2017 (EP) 003826825-0002

(51) **LOC (11) Cl.** **23-01**

(52) **U.S. Cl.**
USPC **D23/208**

(58) **Field of Classification Search**
USPC D23/207, 208; 4/223, 227.7, 231
CPC E03D 9/032; E03D 9/024; E03D 9/005;
C02F 1/688
See application file for complete search history.

(56) **References Cited**

U.S. PATENT DOCUMENTS

D507,628 S * 7/2005 McLellan E03D 9/032
D23/208
D679,778 S * 4/2013 Gerhards D23/208

D689,167 S * 9/2013 Gerhards D23/208
D762,810 S * 8/2016 Venini D23/208
D787,632 S * 5/2017 Gerhards D23/208
D789,485 S * 6/2017 Hale D23/208
D790,658 S * 6/2017 Gerhards D23/208
D791,910 S * 7/2017 Gerhards D23/208
D795,387 S * 8/2017 Gerhards D23/208
D806,207 S * 12/2017 Gerhards D23/208
D806,208 S * 12/2017 Gerhards D23/208
D809,092 S * 1/2018 Gerhards E03D 9/032
D23/208

* cited by examiner

Primary Examiner — Robin Valery Webster

(74) *Attorney, Agent, or Firm* — Norris McLaughlin & Marcus PA

(57) **CLAIM**

The ornamental design for a dispenser for a sanitary appliance, as shown and described.

DESCRIPTION

FIGS. 1-7 depict the dispenser for a sanitary appliance; and, FIG. 1 is a front and side perspective view thereof; FIG. 2 is a front side elevational view thereof; FIG. 3 is a rear side elevational view thereof; FIG. 4 is a left side elevational view thereof; FIG. 5 is a right side elevational view thereof; FIG. 6 is a top plan view thereof; and, FIG. 7 is a bottom plan view thereof. The portions of the depicted design indicated in broken lines form no part of the claimed design.

1 Claim, 5 Drawing Sheets





Fig. 1

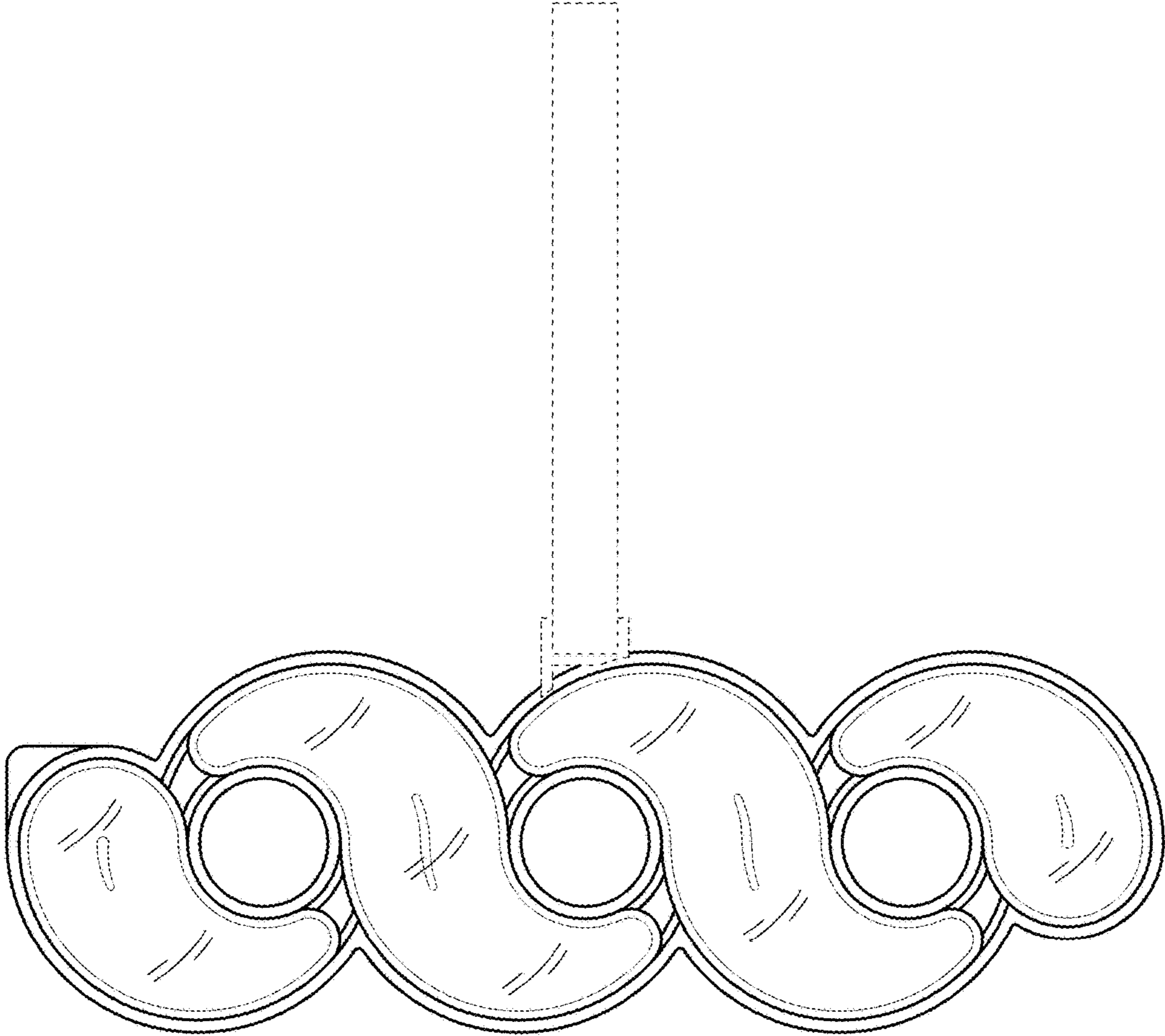


Fig. 2

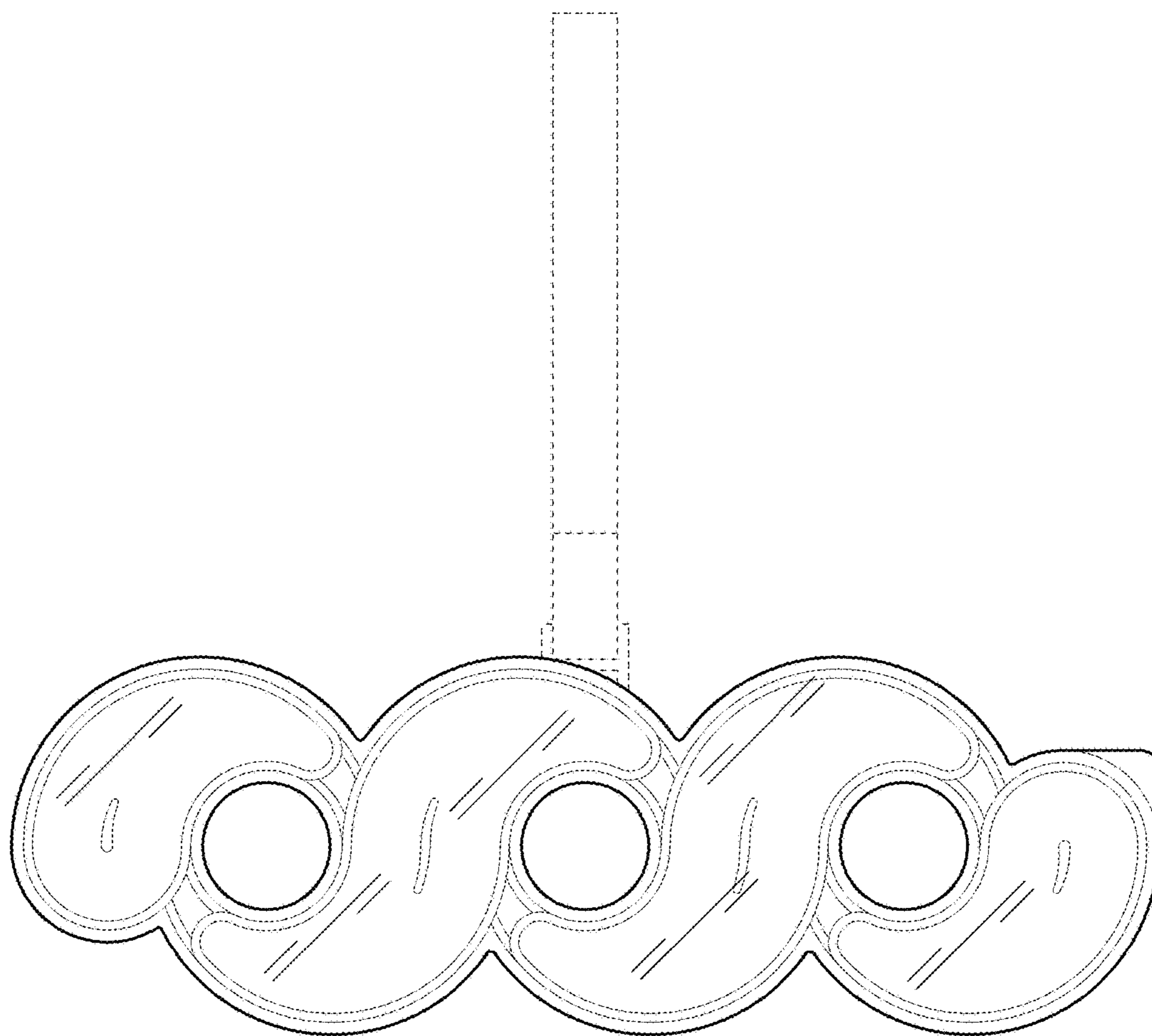


Fig. 3

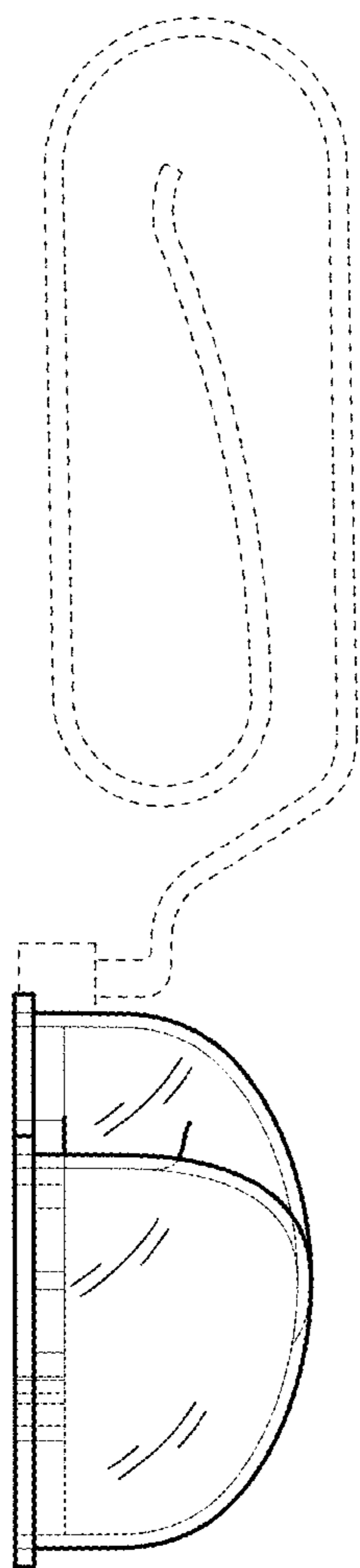


Fig. 4

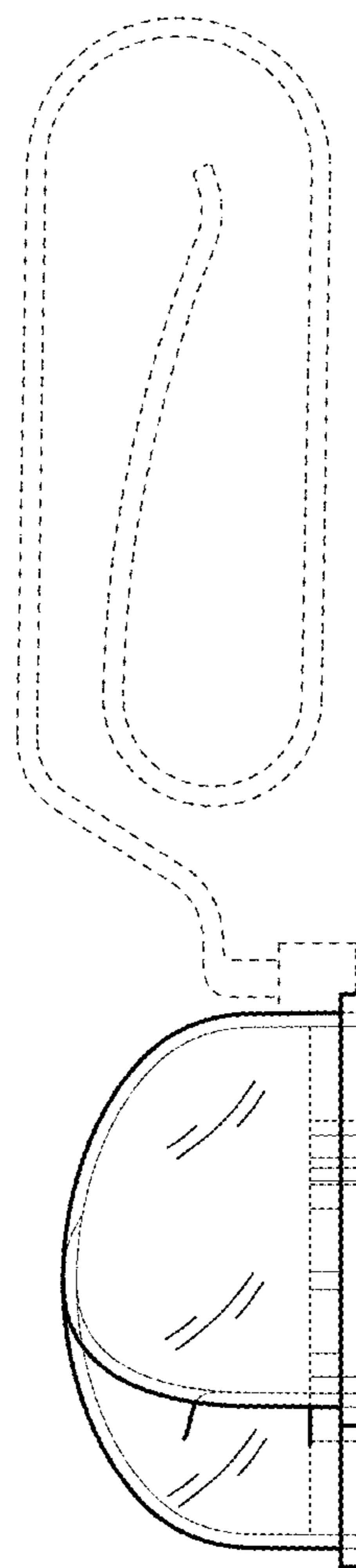


Fig. 5

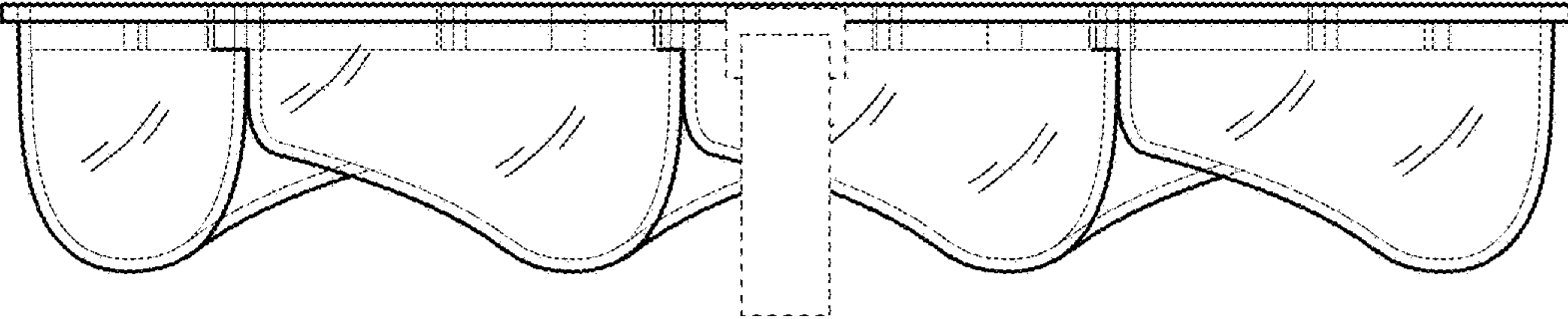


Fig. 6

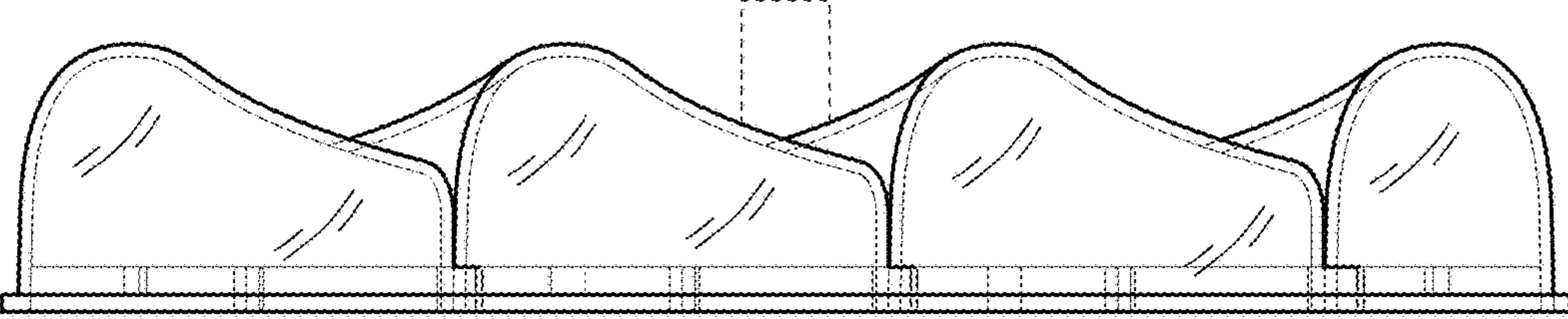


Fig. 7