



US00D830498S

(12) **United States Design Patent**
Cséfalvay et al.

(10) **Patent No.:** **US D830,498 S**
(45) **Date of Patent:** **** Oct. 9, 2018**

(54) **RECTANGULAR WASTE WATER
PURIFYING DEVICE**

D628,267 S * 11/2010 Dittmann D23/209
D628,268 S * 11/2010 Dittmann D23/209
D639,899 S * 6/2011 Reid D23/209

(Continued)

(71) Applicant: **Juraj Cséfalvay**, Tomasov (SK)

Primary Examiner — Robin V Webster

(72) Inventors: **Juraj Cséfalvay**, Tomasov (SK); **Ping Wang**, Bratislava (SK)

Assistant Examiner — James C Thorn, Sr.

(73) Assignee: **Juraj Csefalvay** (SK)

(74) *Attorney, Agent, or Firm* — Hovey Williams LLP

(**) Term: **15 Years**

(57) **CLAIM**

The ornamental design for a rectangular waste water purifying device, as shown and described.

(21) Appl. No.: **29/584,921**

DESCRIPTION

(22) Filed: **Nov. 18, 2016**

(30) **Foreign Application Priority Data**

May 18, 2016 (CN) 2016 3 0186795

(51) **LOC (11) Cl.** **23-01**

(52) **U.S. Cl.**
USPC **D23/207**

(58) **Field of Classification Search**
USPC D23/200, 206–207, 209; D7/388;
220/565, 4.12
CPC B01D 21/0003; B01D 21/0039; B01D
21/02; B01D 21/108; B01D 21/16; C02F
2201/002; C02F 2203/006; B65D 90/02
See application file for complete search history.

(56) **References Cited**

U.S. PATENT DOCUMENTS

D465,257 S * 11/2002 Van Olst B01J 19/30
D23/207
6,889,963 B2 * 5/2005 Niknafs B01D 53/02
261/94
D517,163 S * 3/2006 Pesakovich D23/209
7,189,323 B2 * 3/2007 Lofqvist C02F 3/10
210/150
D571,608 S * 6/2008 Yeung D7/388
D611,568 S * 3/2010 Westrum D23/207
D619,201 S * 7/2010 Westrum D23/207

FIG. 1 is a top perspective of a rectangular waste water purifying device embodying a first embodiment of our design;

FIG. 2 is a top view of the rectangular waste water purifying device shown in FIG. 1;

FIG. 3 is a bottom view of the rectangular waste water purifying device shown in FIGS. 1 and 2;

FIG. 4 is a front elevation of the rectangular waste water purifying device shown in FIGS. 1-3, with the opposite rear elevation being a mirror image thereof;

FIG. 5 is a side elevation of the rectangular waste water purifying device shown in FIGS. 1-4, with the opposite side elevation being a mirror image thereof;

FIG. 6 is a top perspective of a rectangular waste water purifying device embodying a second embodiment of our design;

FIG. 7 is a top view of the rectangular waste water purifying device shown in FIG. 6;

FIG. 8 is a bottom view of the rectangular waste water purifying device shown in FIGS. 6 and 7;

FIG. 9 is a front elevation of the rectangular waste water purifying device shown in FIGS. 6-8, with the opposite rear elevation being a mirror image thereof; and,

FIG. 10 is a side elevation of the rectangular waste water purifying device shown in FIGS. 6-9, with the opposite side elevation being a mirror image thereof.

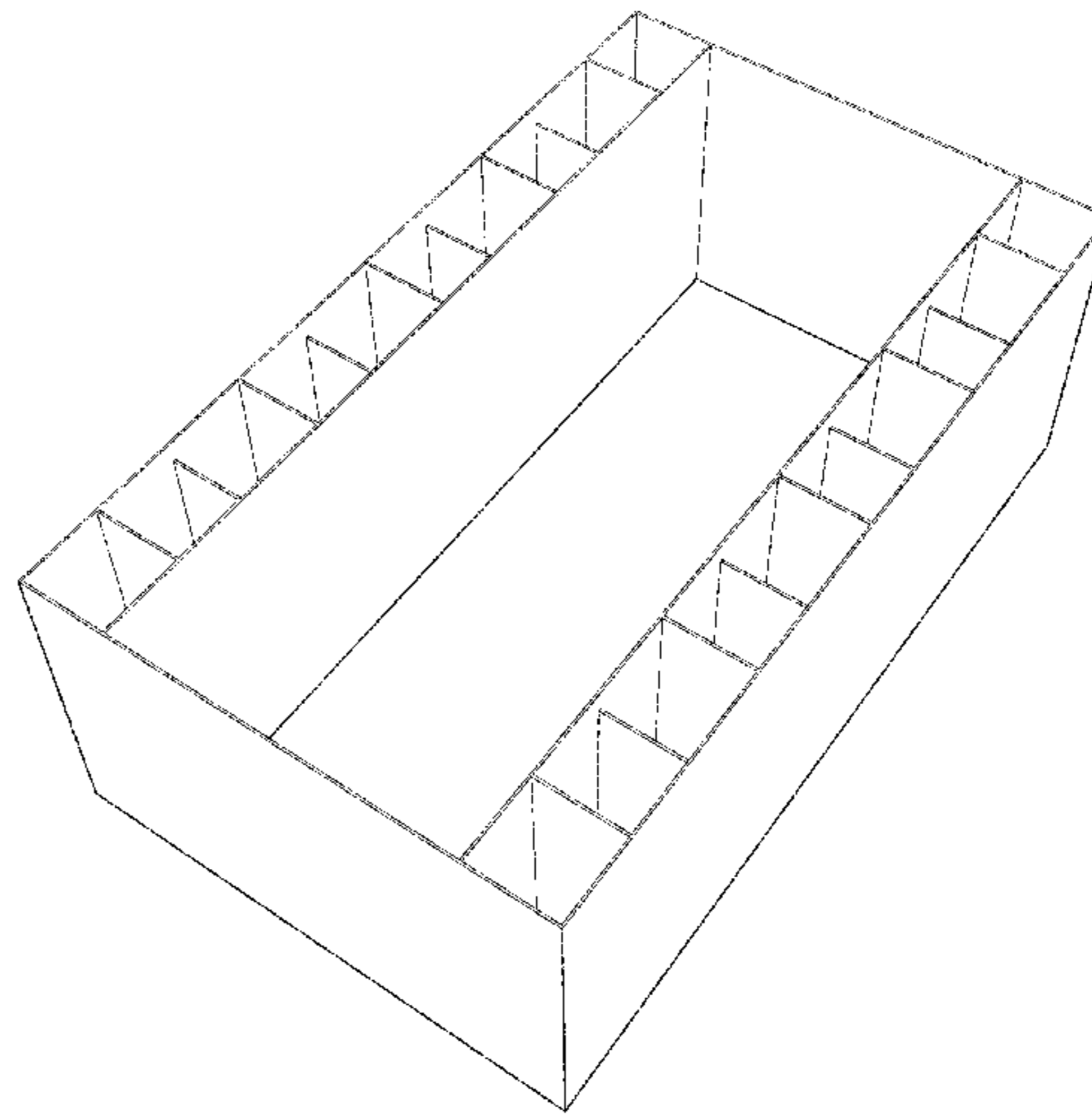
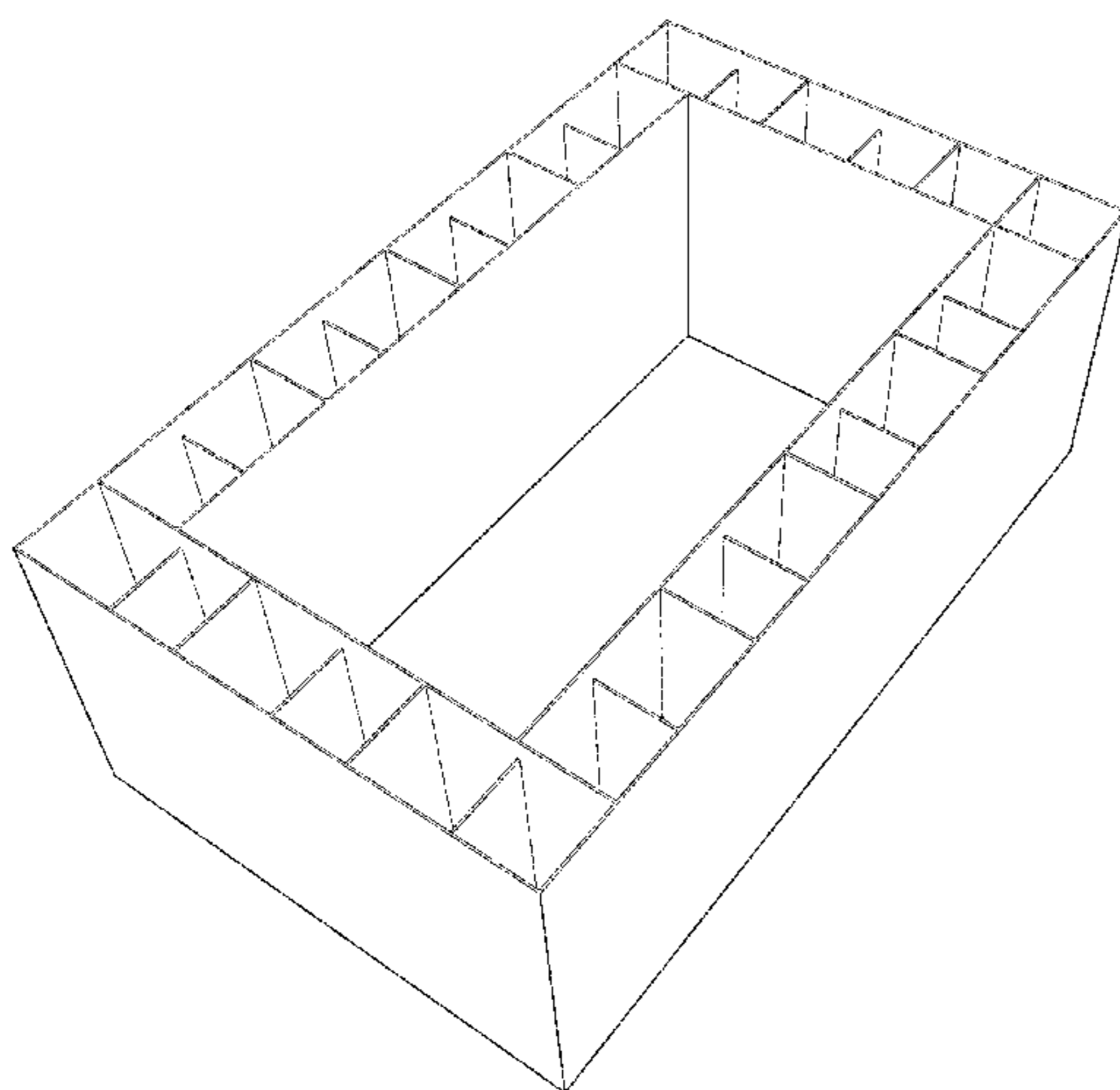
FIG. 10 is a side elevation of the rectangular waste water purifying device shown in FIGS. 6-9, with the opposite side elevation being a mirror image thereof.

FIG. 10 is a side elevation of the rectangular waste water purifying device shown in FIGS. 6-9, with the opposite side elevation being a mirror image thereof.

FIG. 10 is a side elevation of the rectangular waste water purifying device shown in FIGS. 6-9, with the opposite side elevation being a mirror image thereof.

FIG. 10 is a side elevation of the rectangular waste water purifying device shown in FIGS. 6-9, with the opposite side elevation being a mirror image thereof.

1 Claim, 10 Drawing Sheets



(56)

References Cited

U.S. PATENT DOCUMENTS

D645,160 S *	9/2011	Loken	D23/209
D682,390 S *	5/2013	Harder	D23/209
D761,380 S *	7/2016	Bahadir	D23/209
D785,132 S *	4/2017	Jackson	D23/209
D795,992 S *	8/2017	May	D23/200
2017/0137212 A1 *	5/2017	Erm	B65D 88/528

* cited by examiner

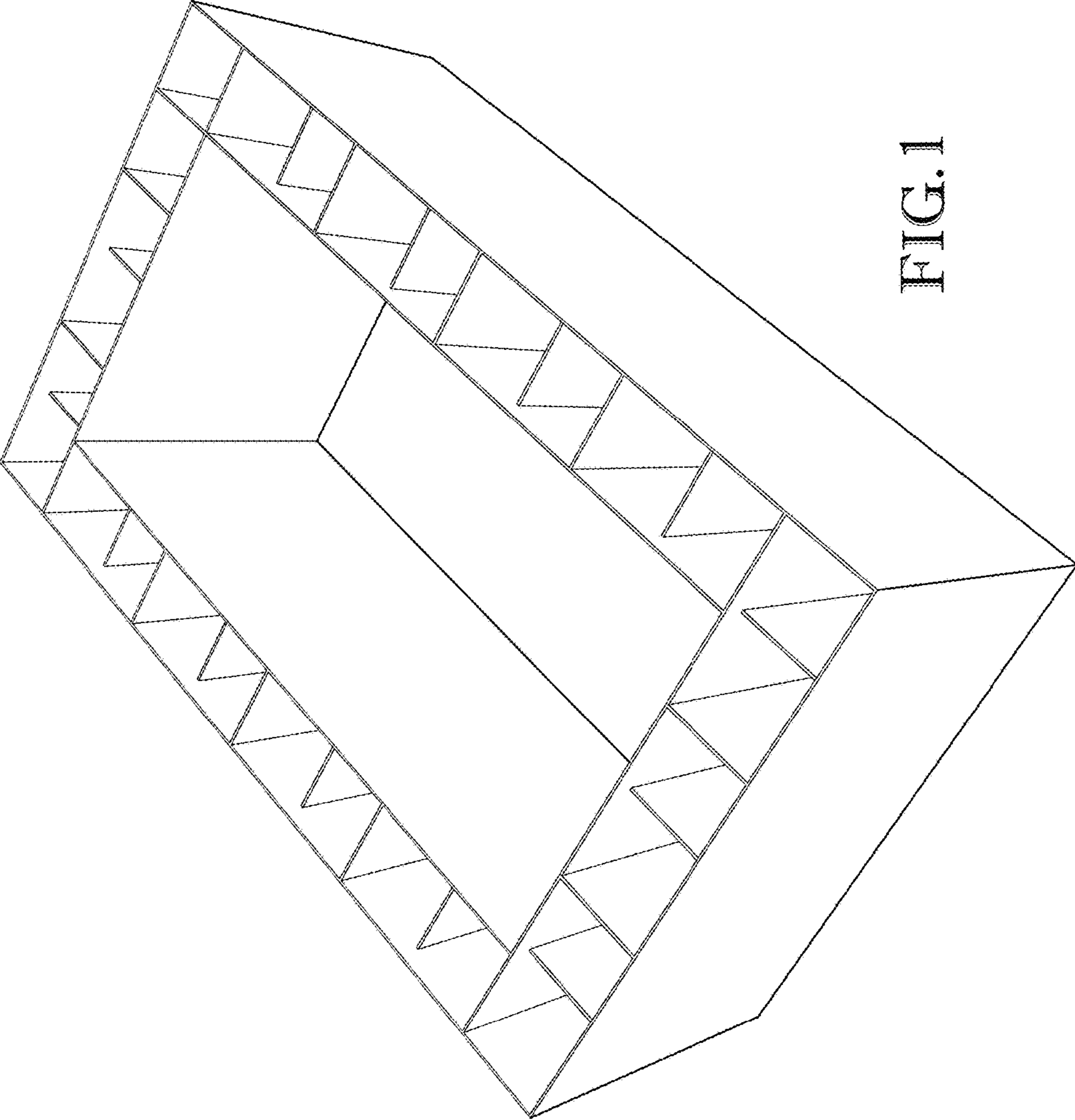


FIG. 1

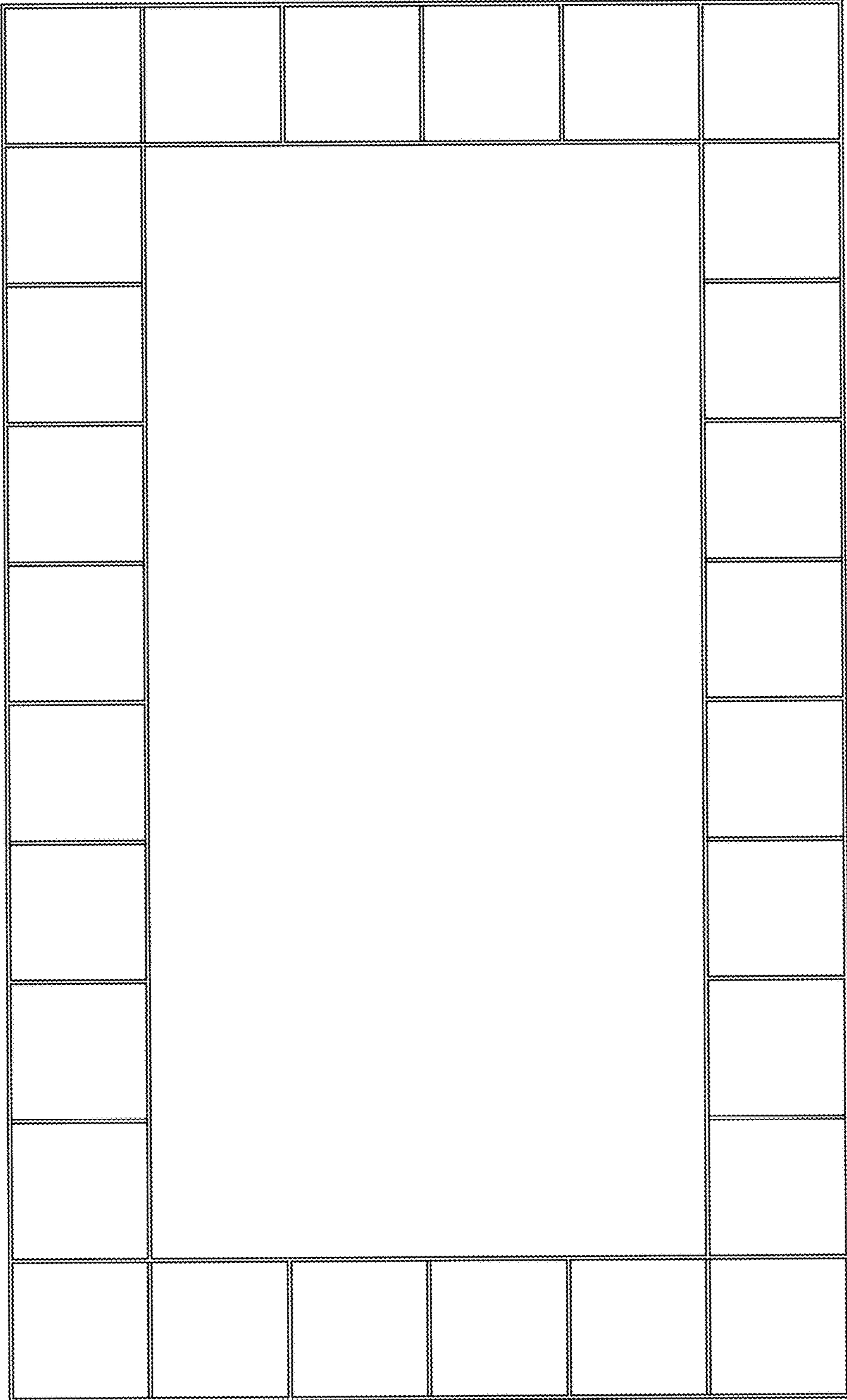


FIG. 2

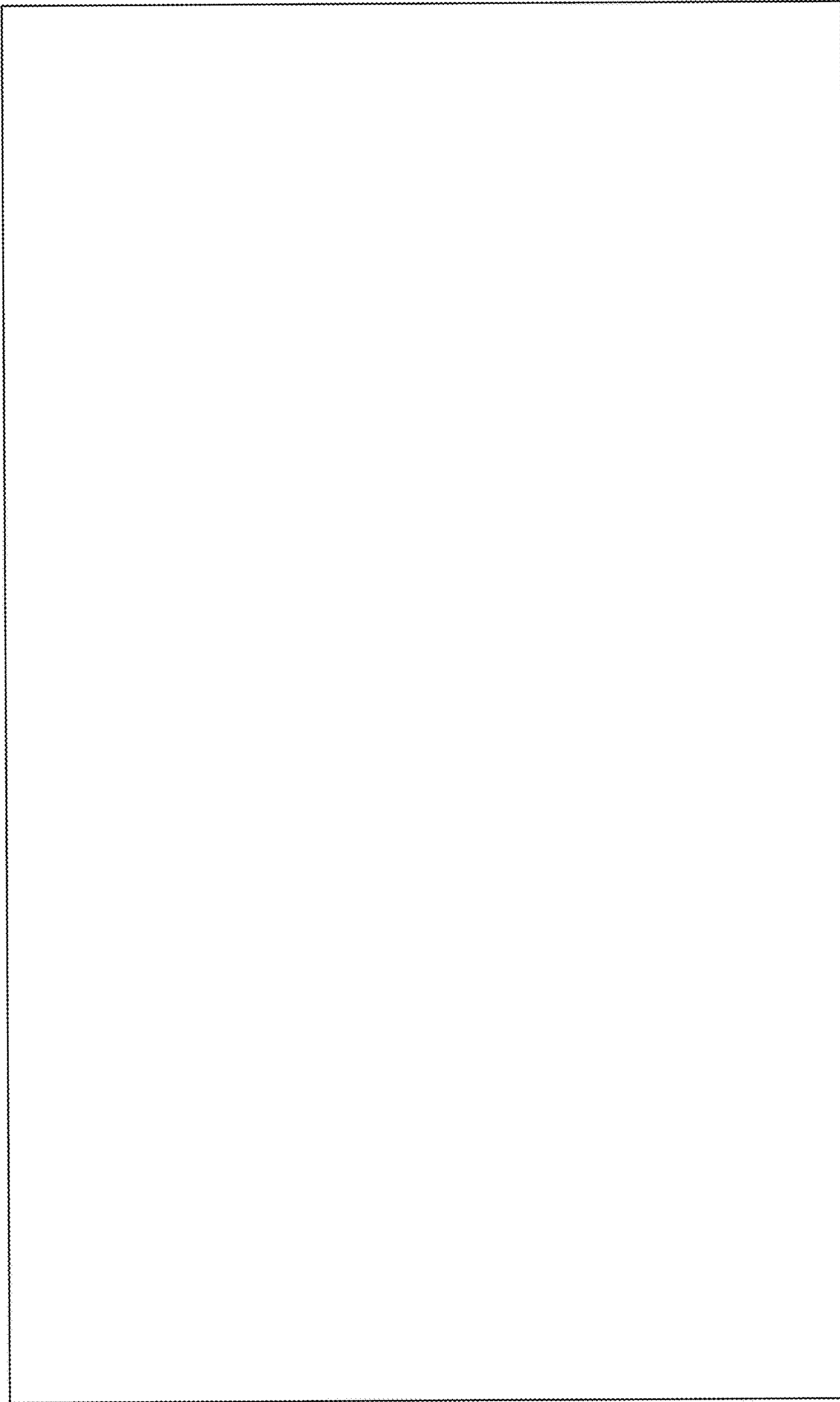


FIG. 3

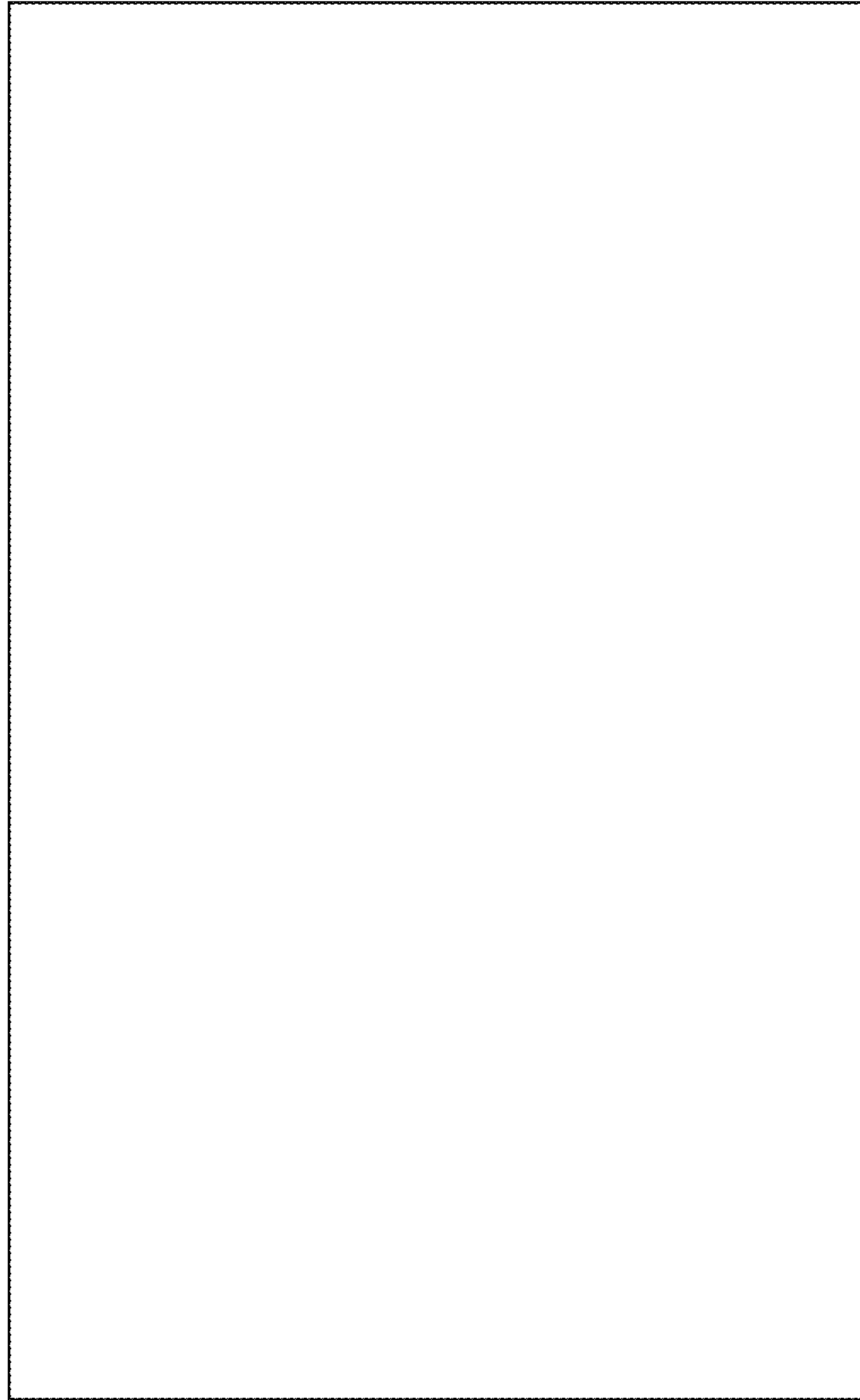


FIG. 4

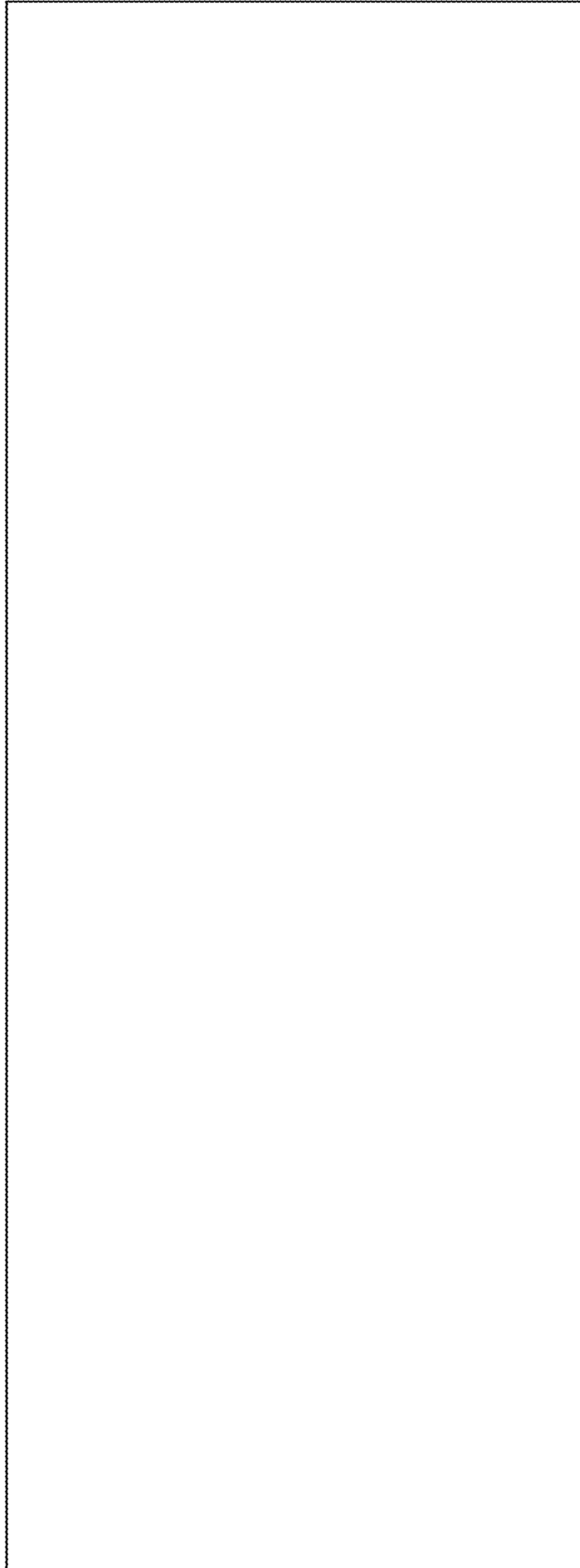


FIG. 5

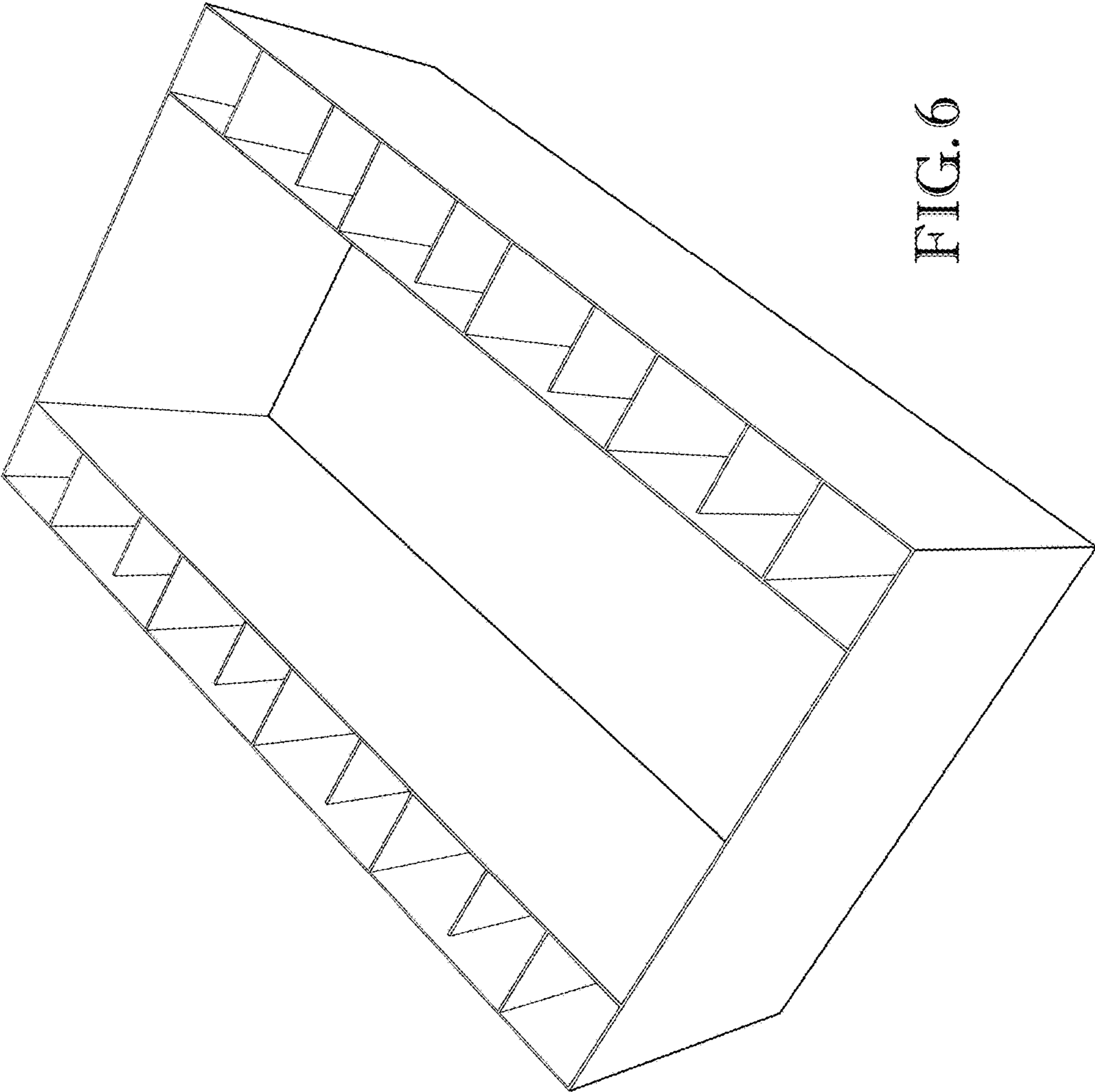


FIG. 6

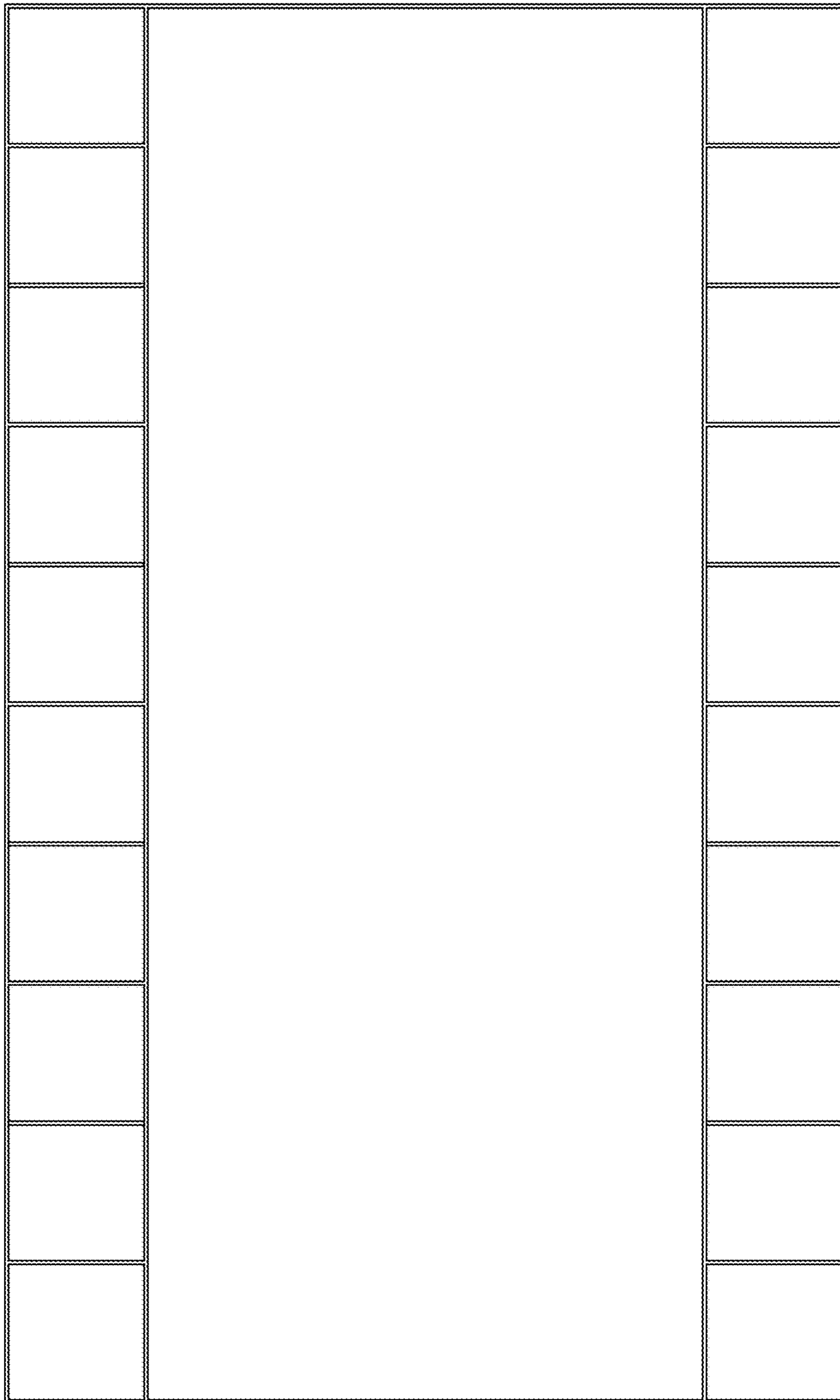


FIG. 7

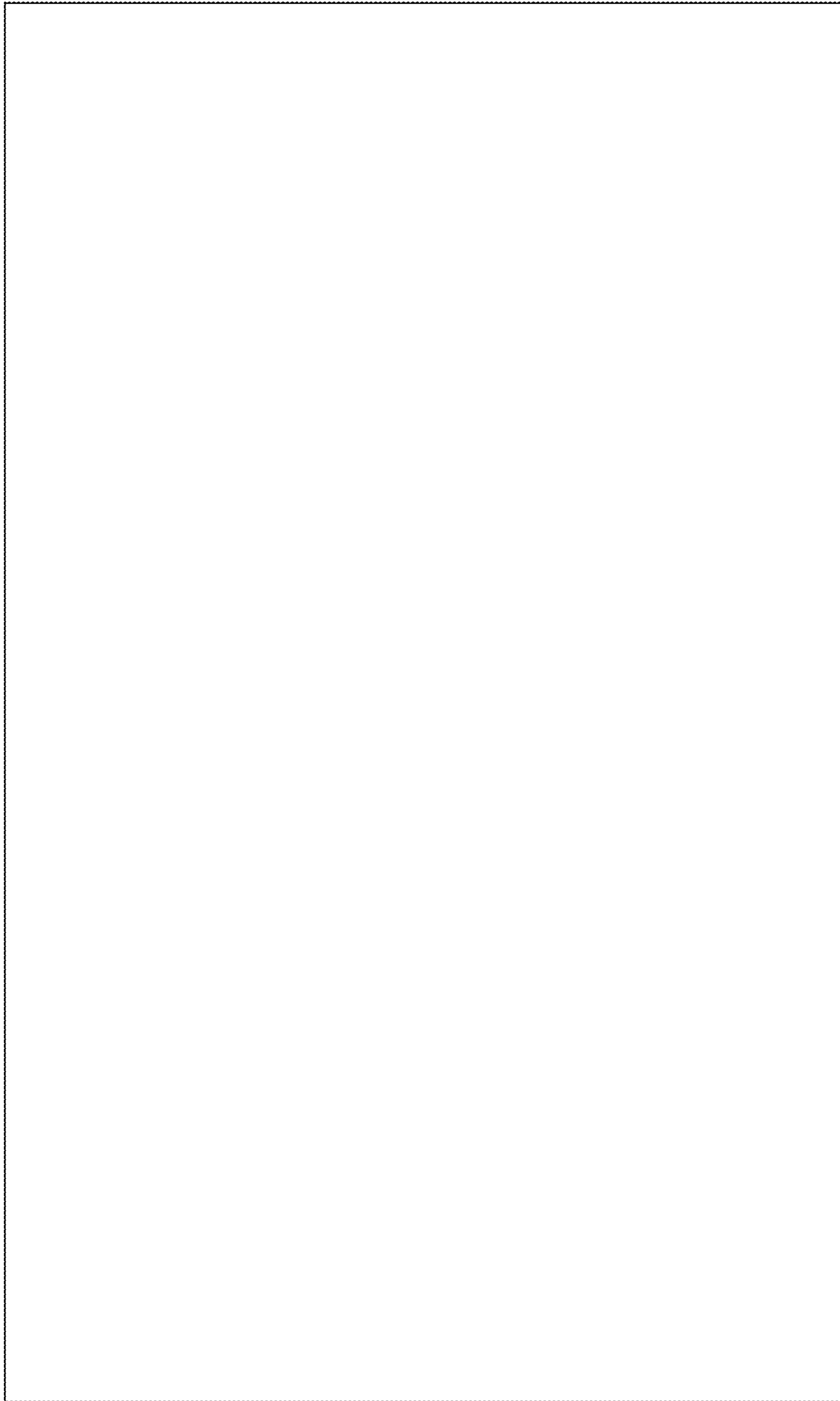


FIG. 8

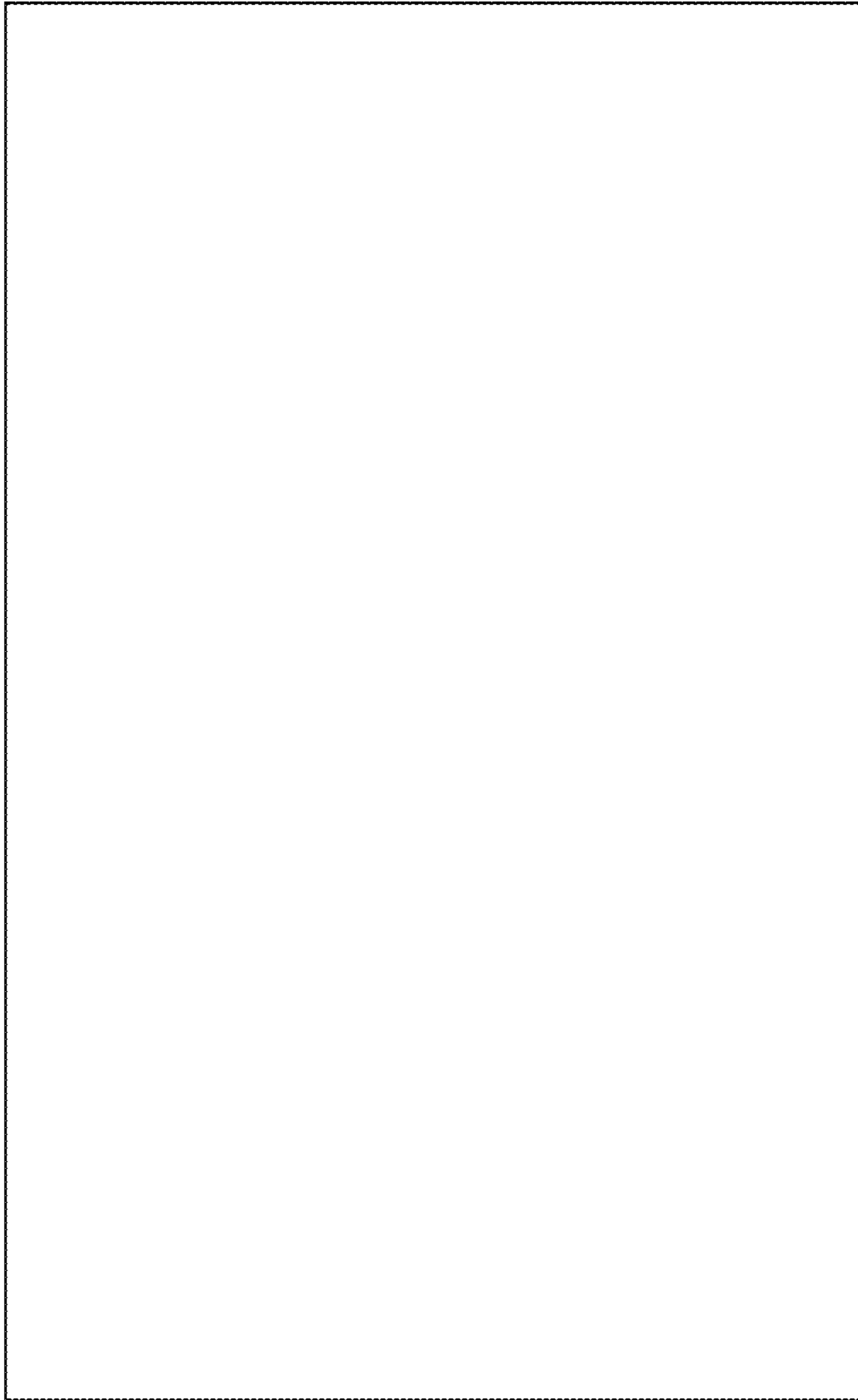


FIG. 9

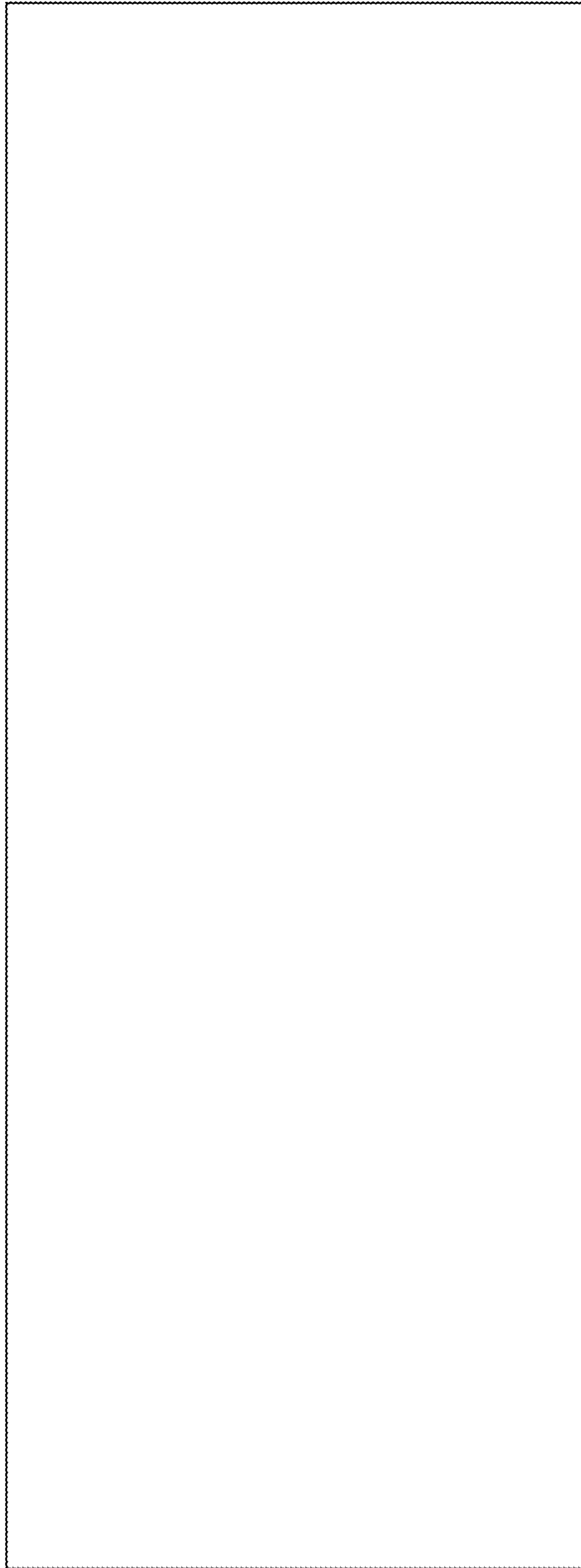


FIG. 10