



US00D830497S

(12) **United States Design Patent** (10) **Patent No.:** **US D830,497 S**
Suzuki (45) **Date of Patent:** **** Oct. 9, 2018**

(54) **CONTAINER FOR HIGH PRESSURE GAS**

(71) Applicant: **SAMTECH CORP.**, Osaka (JP)

(72) Inventor: **Junzo Suzuki**, Kashiwara (JP)

(73) Assignee: **SAMTECH Corporation**,
Kashiwara-shi (JP)

(**) Term: **15 Years**

(21) Appl. No.: **35/503,374**

(22) Filed: **Jan. 12, 2017**

(80) **Hague Agreement Data**

Int. Filing Date: **Jan. 12, 2017**

Int. Reg. No.: **DM/094488**

Int. Reg. Date: **Jan. 12, 2017**

Int. Reg. Pub. Date: **Jul. 14, 2017**

(30) **Foreign Application Priority Data**

Jul. 26, 2016 (JP) 2016-015862

(51) **LOC (11) Cl.** **23-02**

(52) **U.S. Cl.**

USPC **D23/202; D23/209**

(58) **Field of Classification Search**

USPC D23/202, 203, 205, 209; 210/232, 236;
220/565, 560.01, 560.04, 905, 4.12, 4.14,
220/581, 582

CPC B01D 35/02; B01D 35/30; B65D 90/08;
B60K 15/03; F17C 2209/221

See application file for complete search history.

(56) **References Cited**

U.S. PATENT DOCUMENTS

D254,145 S * 2/1980 Wilcock D23/209
D546,412 S * 7/2007 Kennedy D23/209
D599,880 S * 9/2009 Rampen D23/209
D679,779 S * 4/2013 Reid D23/209
D701,286 S * 3/2014 Sandvold D23/202

D712,507 S * 9/2014 Hammerback D23/209
D716,909 S * 11/2014 Hammarback D23/209
D755,345 S * 5/2016 Luthi D23/209
D768,814 S * 10/2016 Dong D23/209
D796,000 S * 8/2017 Downie D23/209
D802,712 S * 11/2017 Downie D23/209
D813,978 S * 3/2018 Kennard D23/202
2004/0020837 A1* 2/2004 Reid B01D 35/31
210/232
2008/0237112 A1* 10/2008 Ford G01N 30/6039
210/232

OTHER PUBLICATIONS

“SAMTECH Type-3 High Pressure Gas Cylinders”, Oct. 2014,
seven pages, SAMTECH Corp., <http://www.samtech.co.jp>.
A catalog of the products manufactured by SAMTECH Corp.,
which was issued on Oct. 2014.

* cited by examiner

Primary Examiner — Melanie Pellegrini

(74) *Attorney, Agent, or Firm* — Crowell & Moring LLP

(57) **CLAIM**

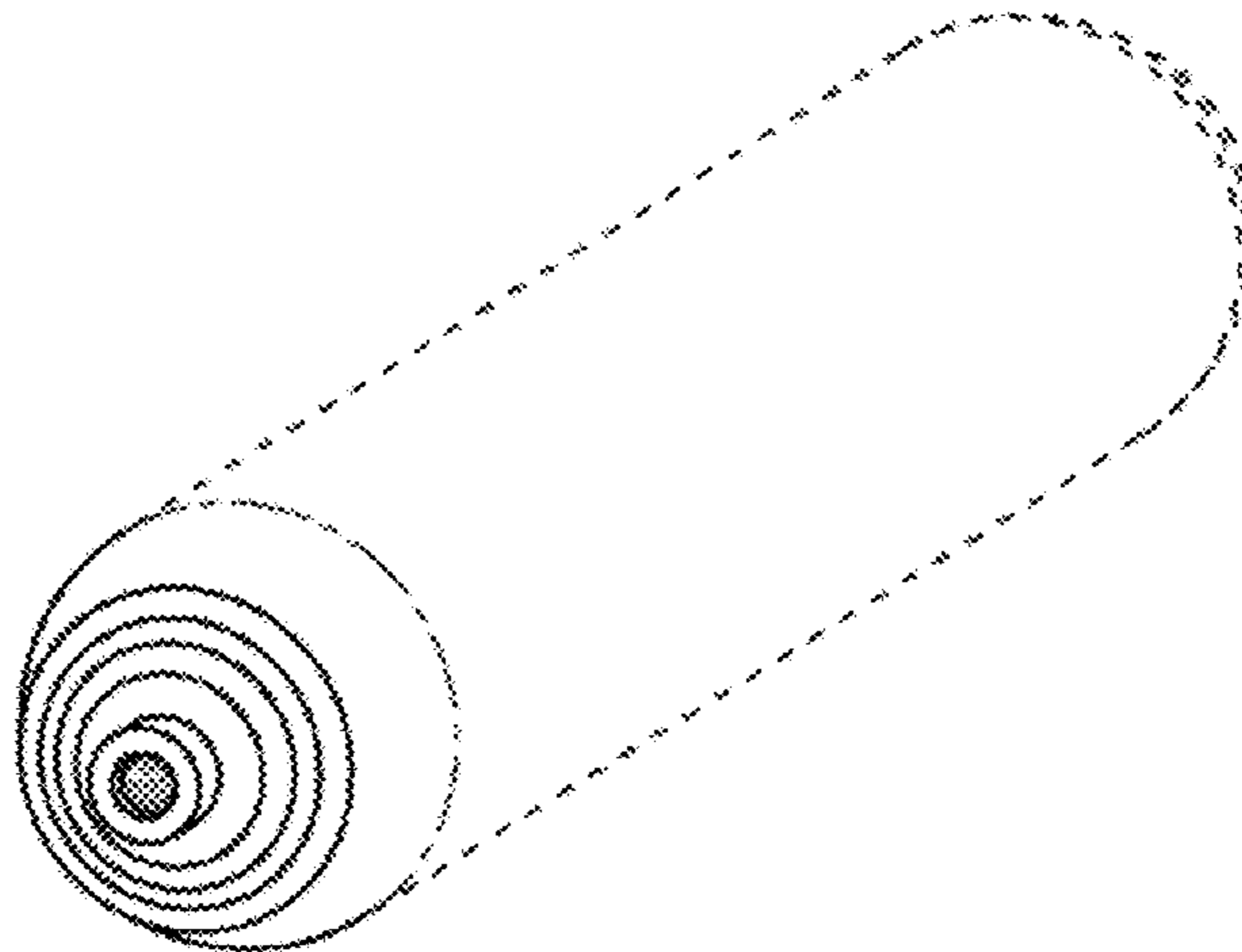
The ornamental design for a container for high pressure gas,
as shown and described.

DESCRIPTION

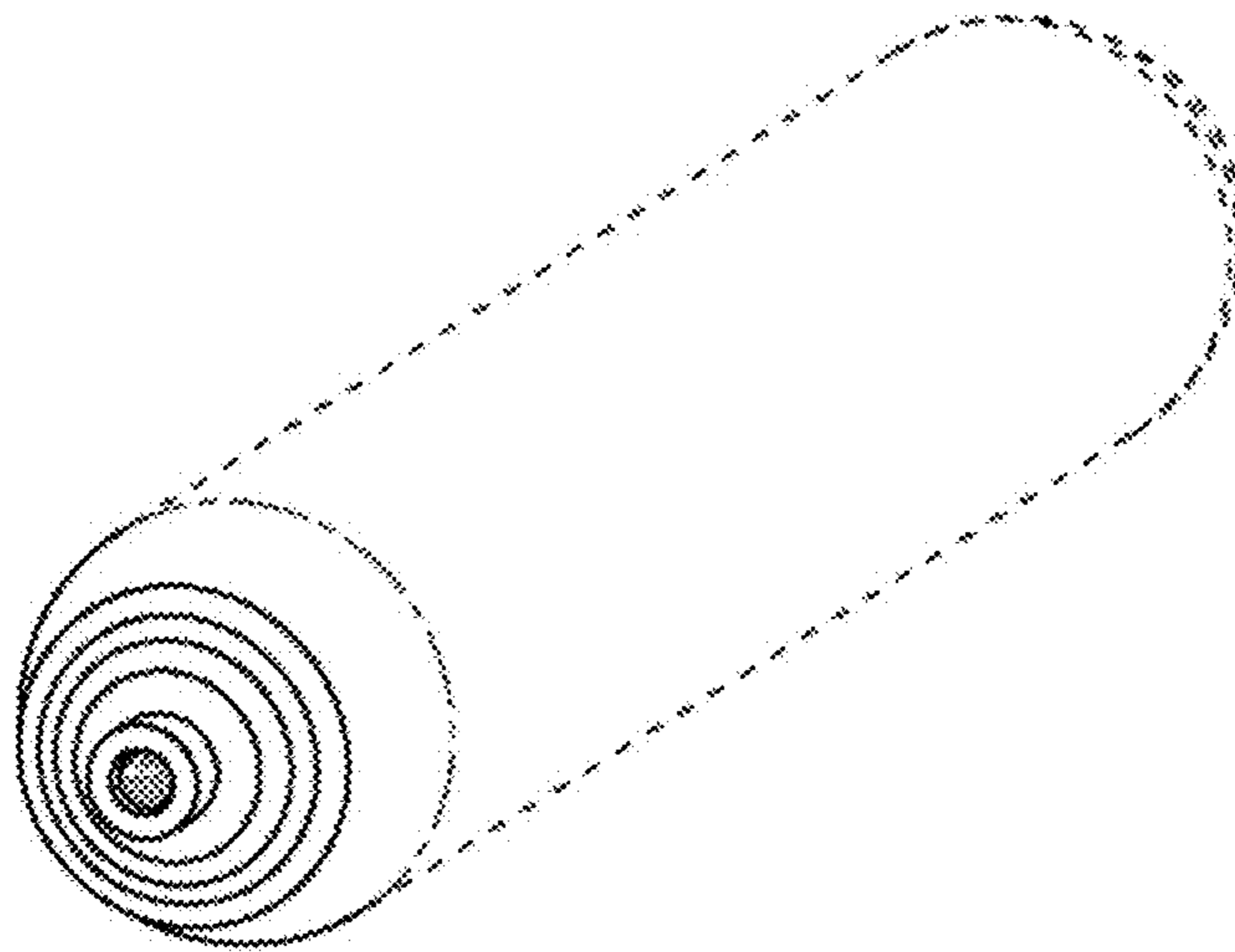
- 1. Container for high pressure gas
- 1.1 : Perspective
- 1.2 : Front
- 1.3 : Enlarged view at right end
- 1.4 : Right
- 1.5 : Top

The rear view is a mirror image of the front view shown in
Fig. 1.2 , and the bottom view is identical to the top view
shown in Fig. 1.5 . The broken lines represent portions of the
container for high pressure gas which form no part of the
claimed design. The dot-dash style broken lines represent
the boundary between claimed and unclaimed portions of
the design and forms no part of the claim.

1 Claim, 5 Drawing Sheets



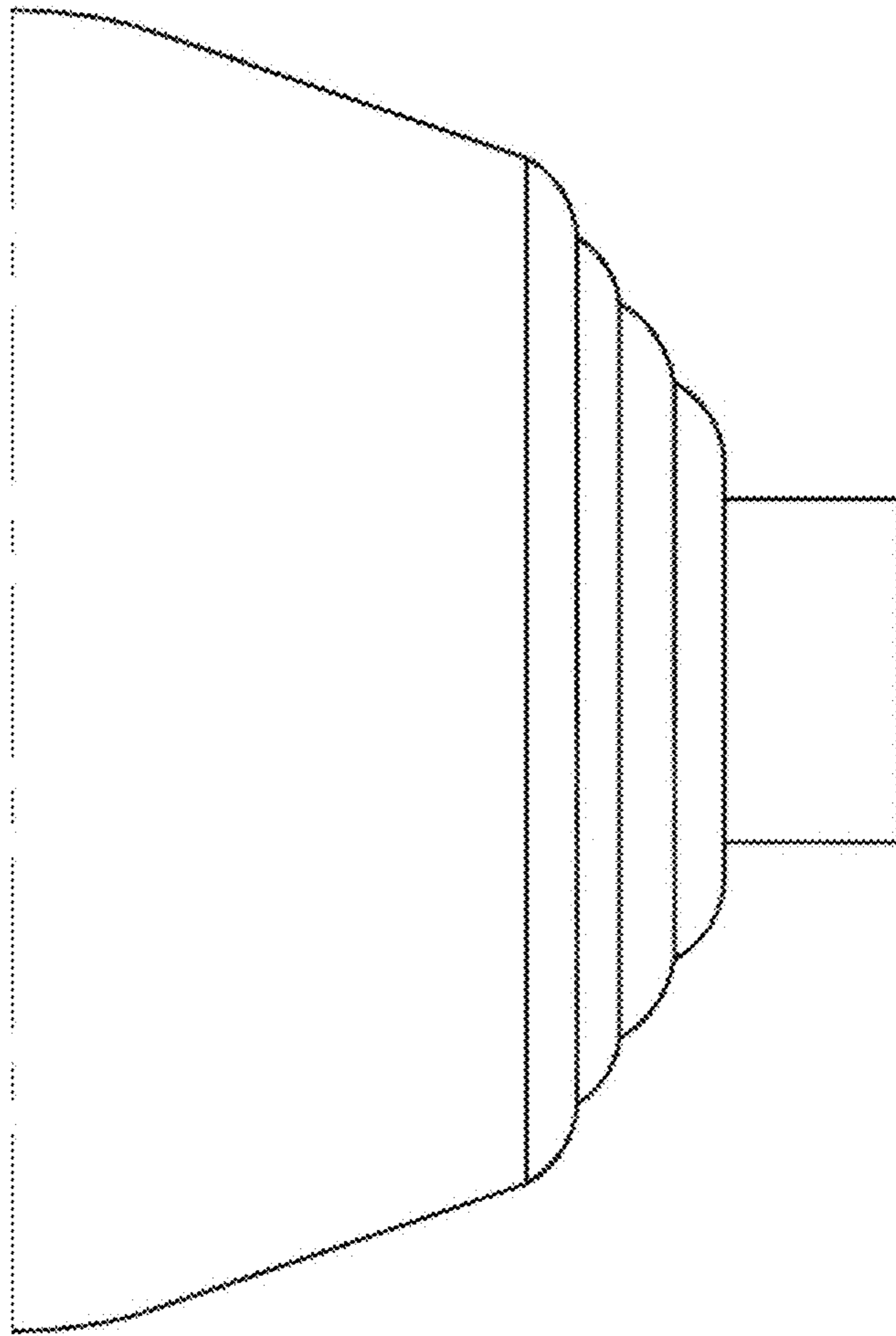
1.1



1.2



1.3



1.4

