

US00D830496S

(12) **United States Design Patent**  
**Washburn**

(10) **Patent No.:** **US D830,496 S**

(45) **Date of Patent:** **\*\* Oct. 9, 2018**

- (54) **OVERFLOW SENSOR TANK**
- (71) Applicant: **Dennis R. Washburn**, Hemet, CA (US)
- (72) Inventor: **Dennis R. Washburn**, Hemet, CA (US)
- (\*\*) Term: **15 Years**
- (21) Appl. No.: **29/616,512**
- (22) Filed: **Sep. 6, 2017**
- (51) **LOC (11) Cl.** ..... **23-01**
- (52) **U.S. Cl.**  
USPC ..... **D23/202**
- (58) **Field of Classification Search**  
USPC ..... D23/200, 202, 206; D10/101, 106.1;  
4/300, 353; 73/290 R; 200/84 R  
See application file for complete search history.

- 6,182,302 B1 \* 2/2001 Marti ..... E03D 1/012  
4/353
- 7,977,591 B2 \* 7/2011 Mantua ..... G01F 23/703  
200/84 R
- 8,132,533 B2 3/2012 Arita et al.
- 8,132,534 B2 3/2012 Arita et al.
- D708,975 S 7/2014 Varga

\* cited by examiner

*Primary Examiner* — Robin V Webster

(74) *Attorney, Agent, or Firm* — Kirk A. Buhler; Buhler & Associates

(57) **CLAIM**

The ornamental design for an overflow sensor tank, as shown and described.

**DESCRIPTION**

FIG. 1 is a top perspective view of an overflow sensor tank showing my new design;  
 FIG. 2 is a right-side elevation view, the left side elevation view being a mirror image thereof;  
 FIG. 3 is a front elevation view thereof;  
 FIG. 4 is a rear elevation view thereof;  
 FIG. 5 is a bottom plan view thereof;  
 FIG. 6 is a top plan view thereof;  
 FIG. 7 is a right-side sectional view taken along lines 7-7 from FIG. 6 thereof; and,  
 FIG. 8 is a right-side sectional view taken along lines 8-8 from FIG. 6.

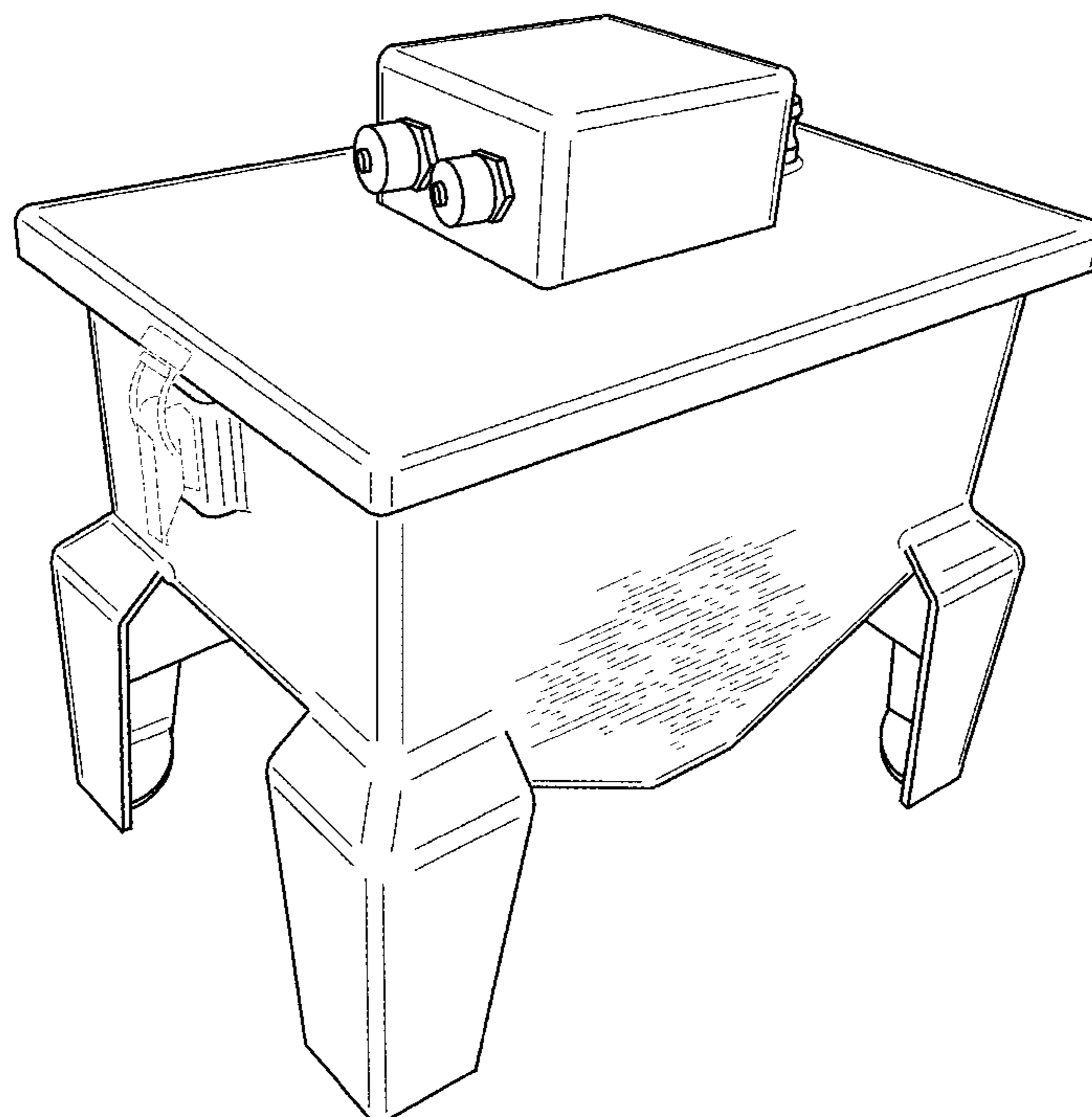
The ornamental design which is claimed is shown in solid lines in the drawings. The broken lines in FIGS. 1, 7 and 8 are for illustrative purposes only and form no part of the claimed design.

(56) **References Cited**

U.S. PATENT DOCUMENTS

- 1,506,101 A \* 8/1924 Winkler ..... G01F 23/36  
200/84 R
- D209,266 S 11/1967 Brown
- 4,144,757 A \* 3/1979 Mauboussin ..... B60K 15/061  
200/84 R
- 4,278,115 A 7/1981 Briles et al.
- D262,104 S 12/1981 Simpson
- 4,547,916 A \* 10/1985 Henke ..... E03D 5/00  
137/558
- 4,603,443 A \* 8/1986 Stewart ..... E03D 5/01  
116/227
- D296,462 S 6/1988 Hartman et al.
- 5,814,780 A \* 9/1998 Batchelder ..... H01H 35/18  
200/230
- 5,832,968 A 11/1998 Leary

**1 Claim, 7 Drawing Sheets**



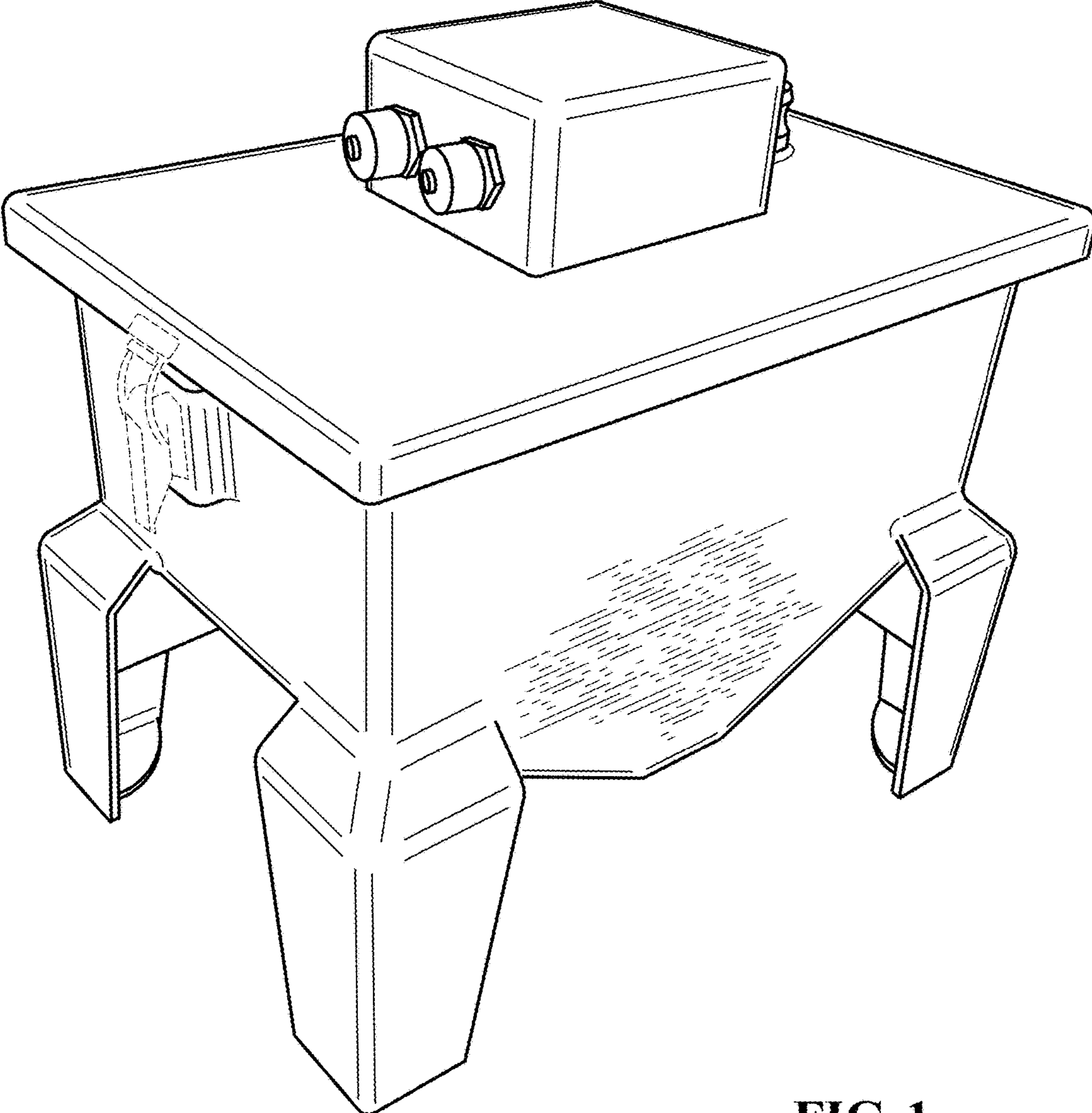


FIG. 1

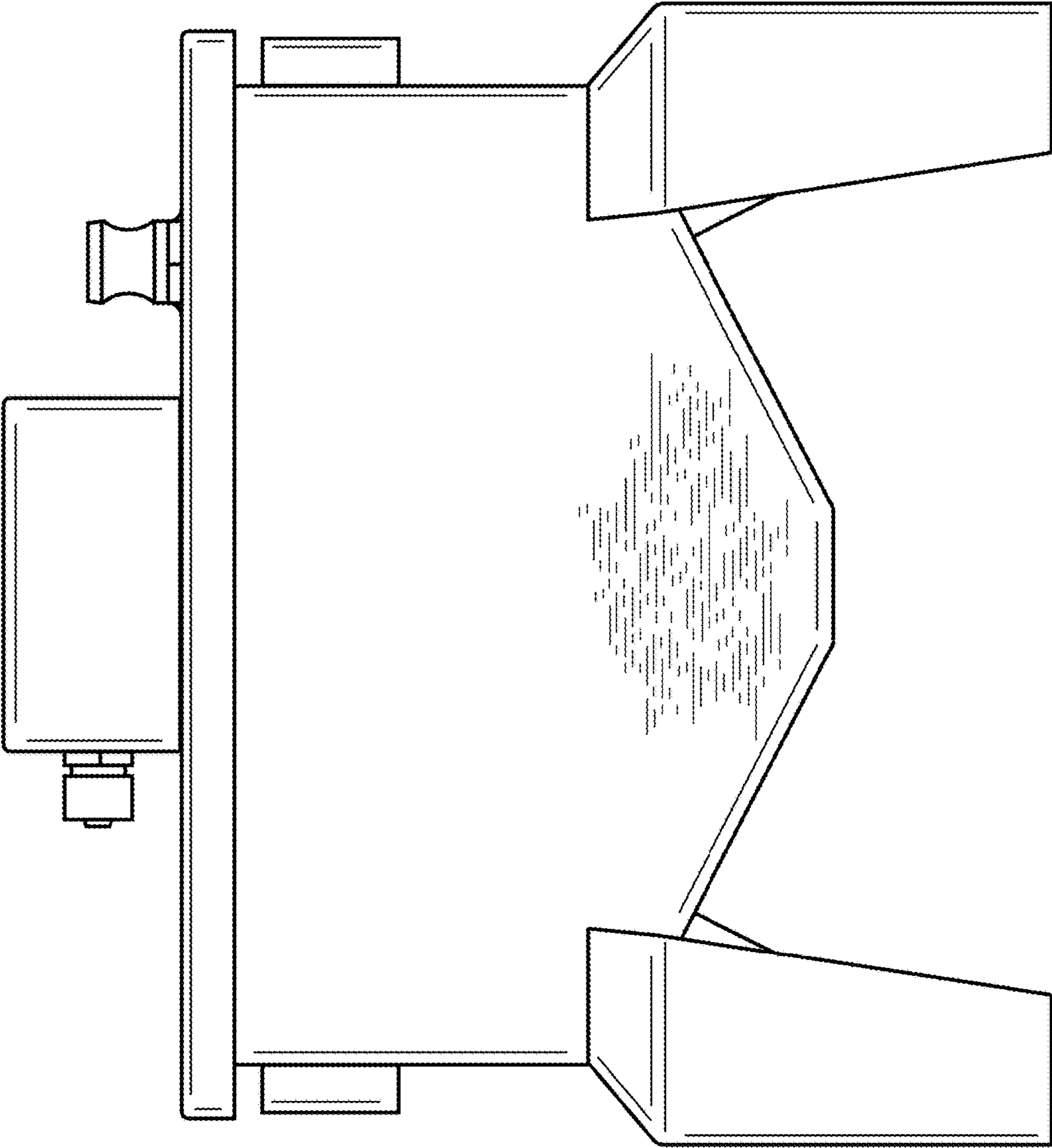
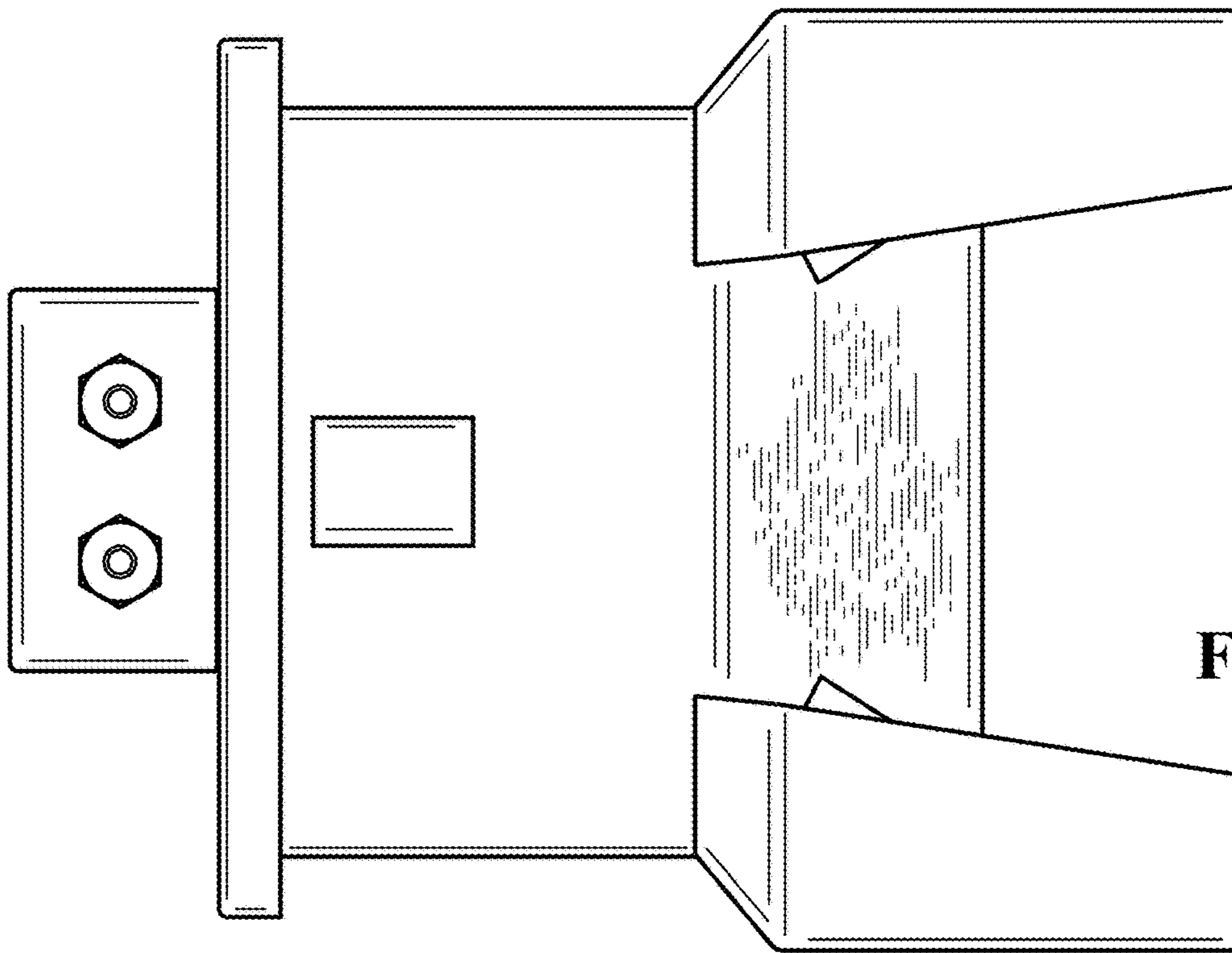
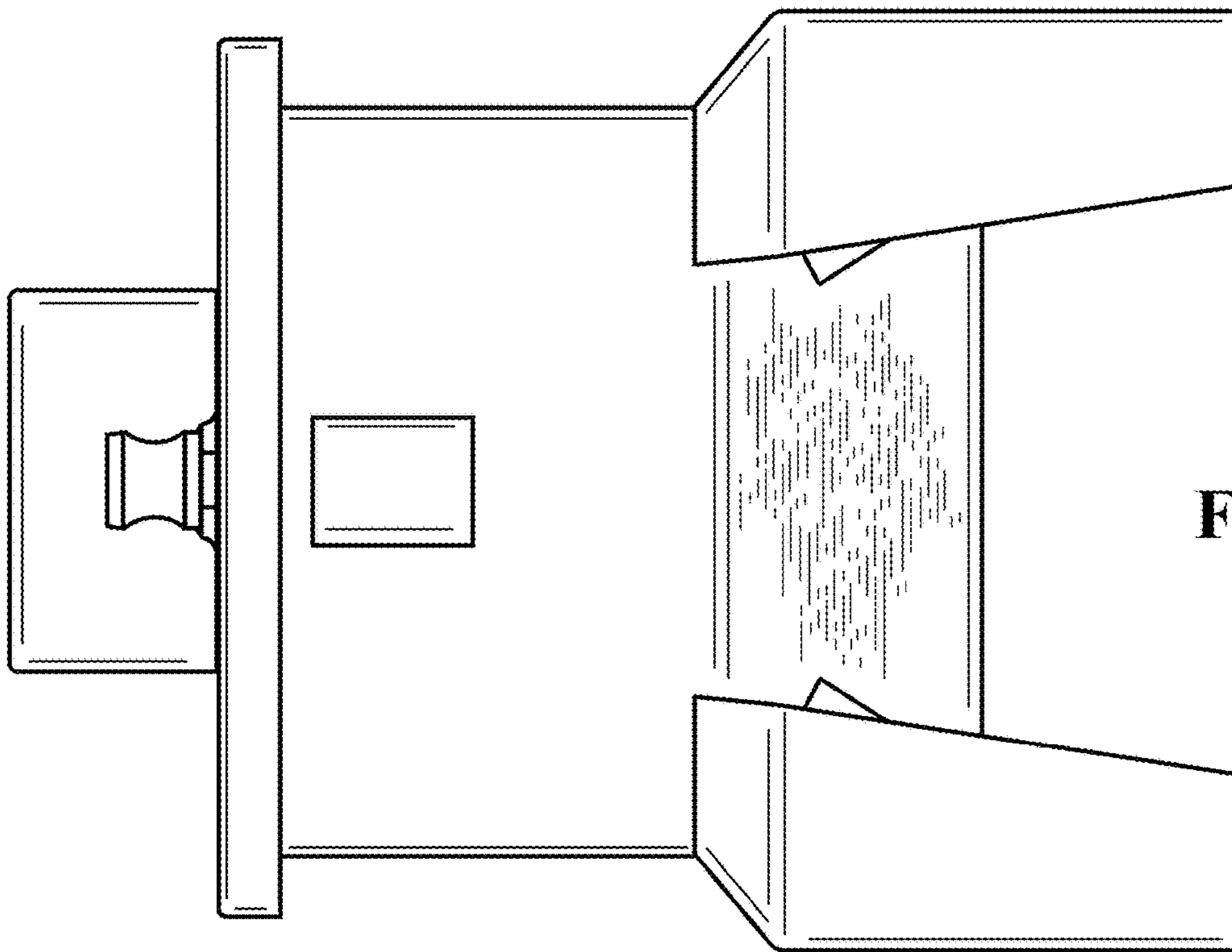


FIG. 2



**FIG. 3**



**FIG. 4**



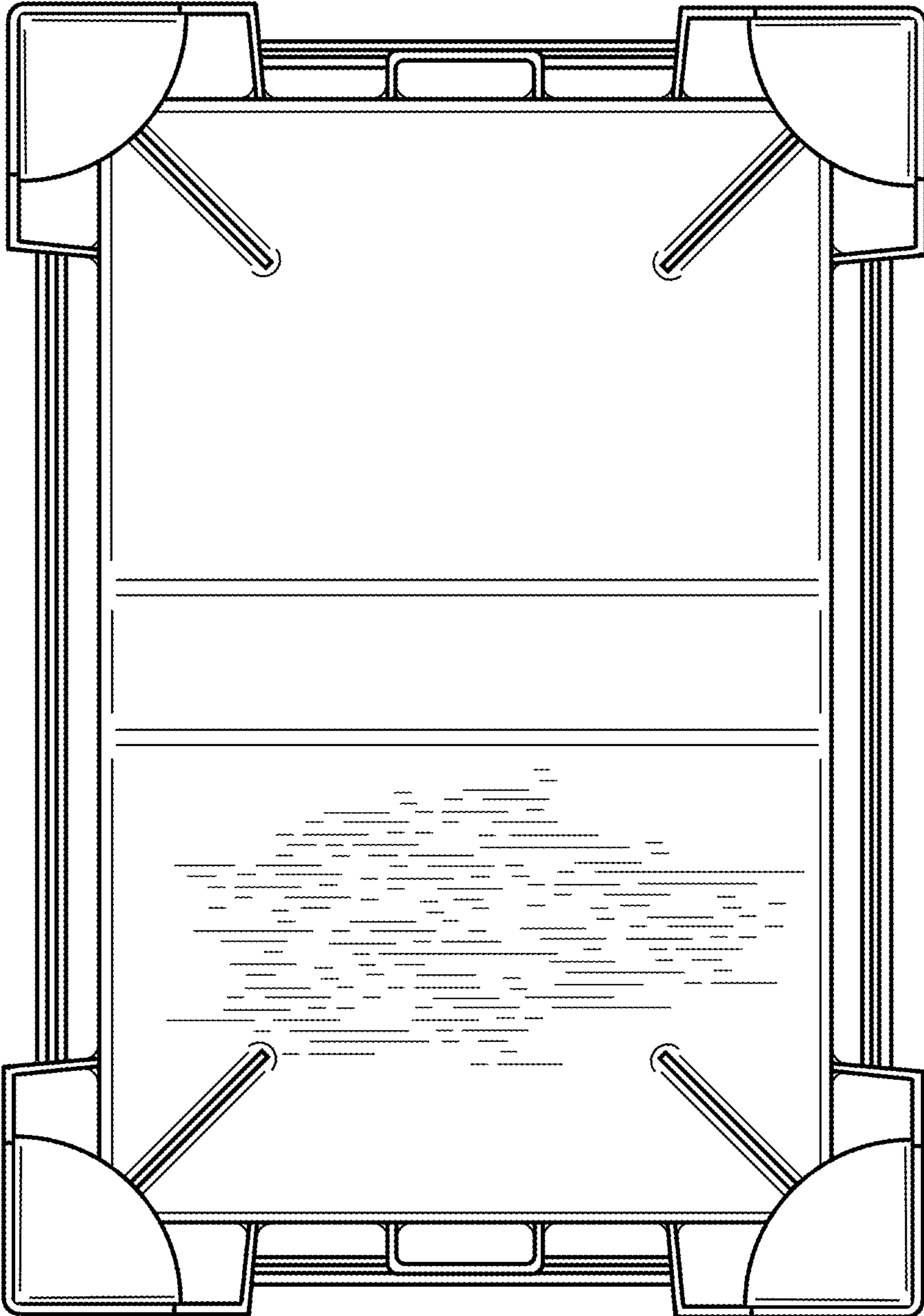


FIG. 5

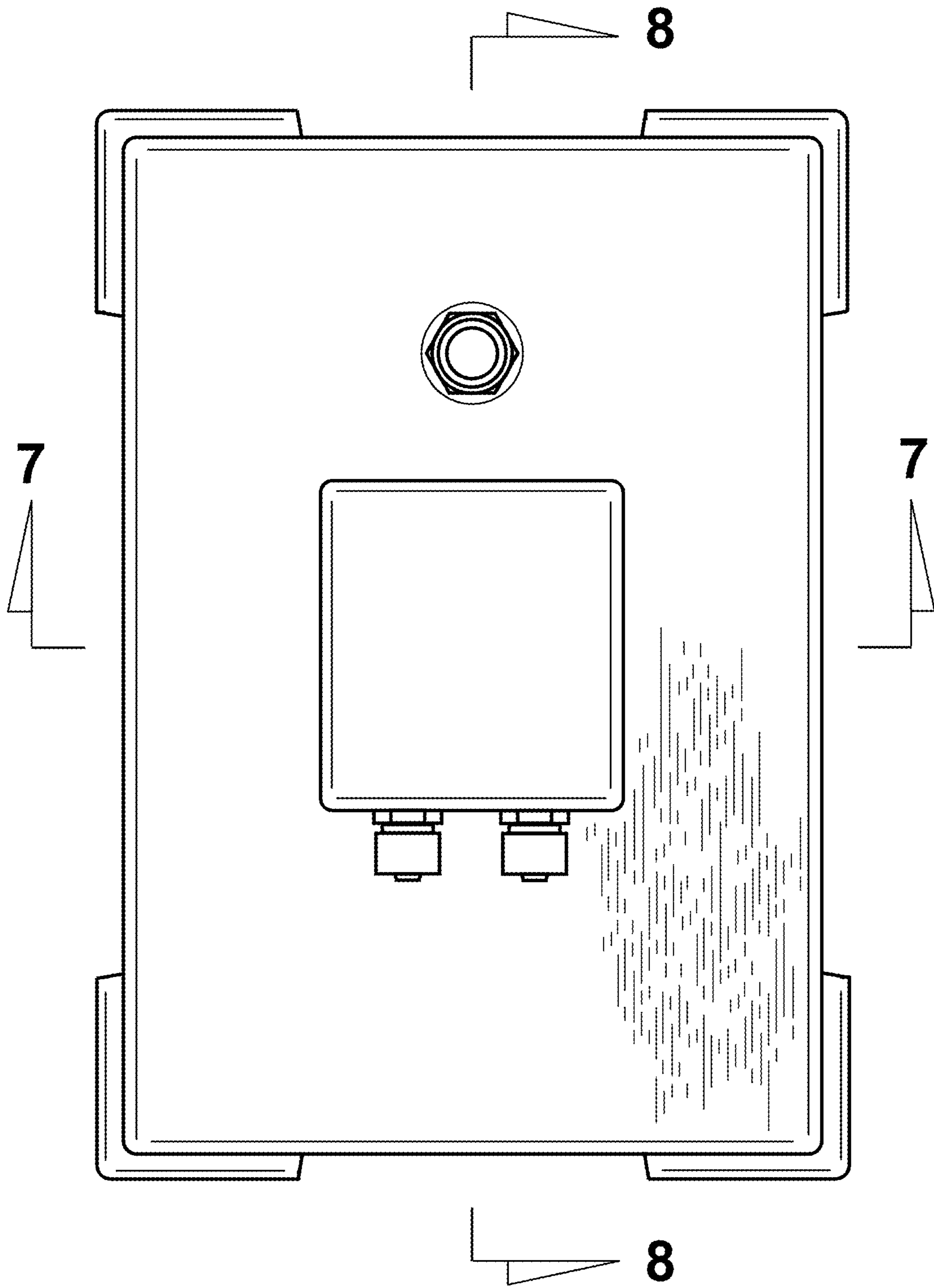
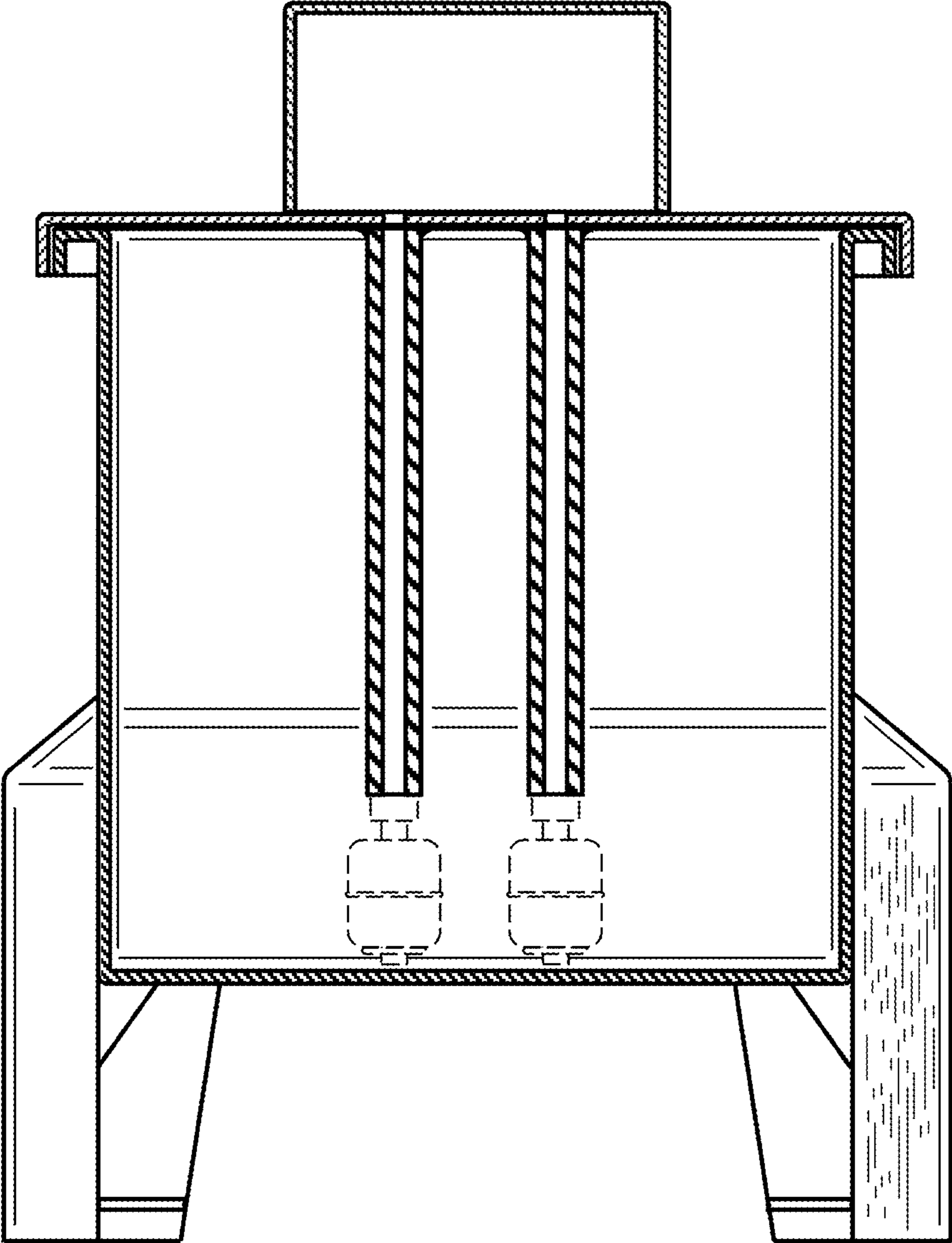


FIG. 6



**FIG 7**

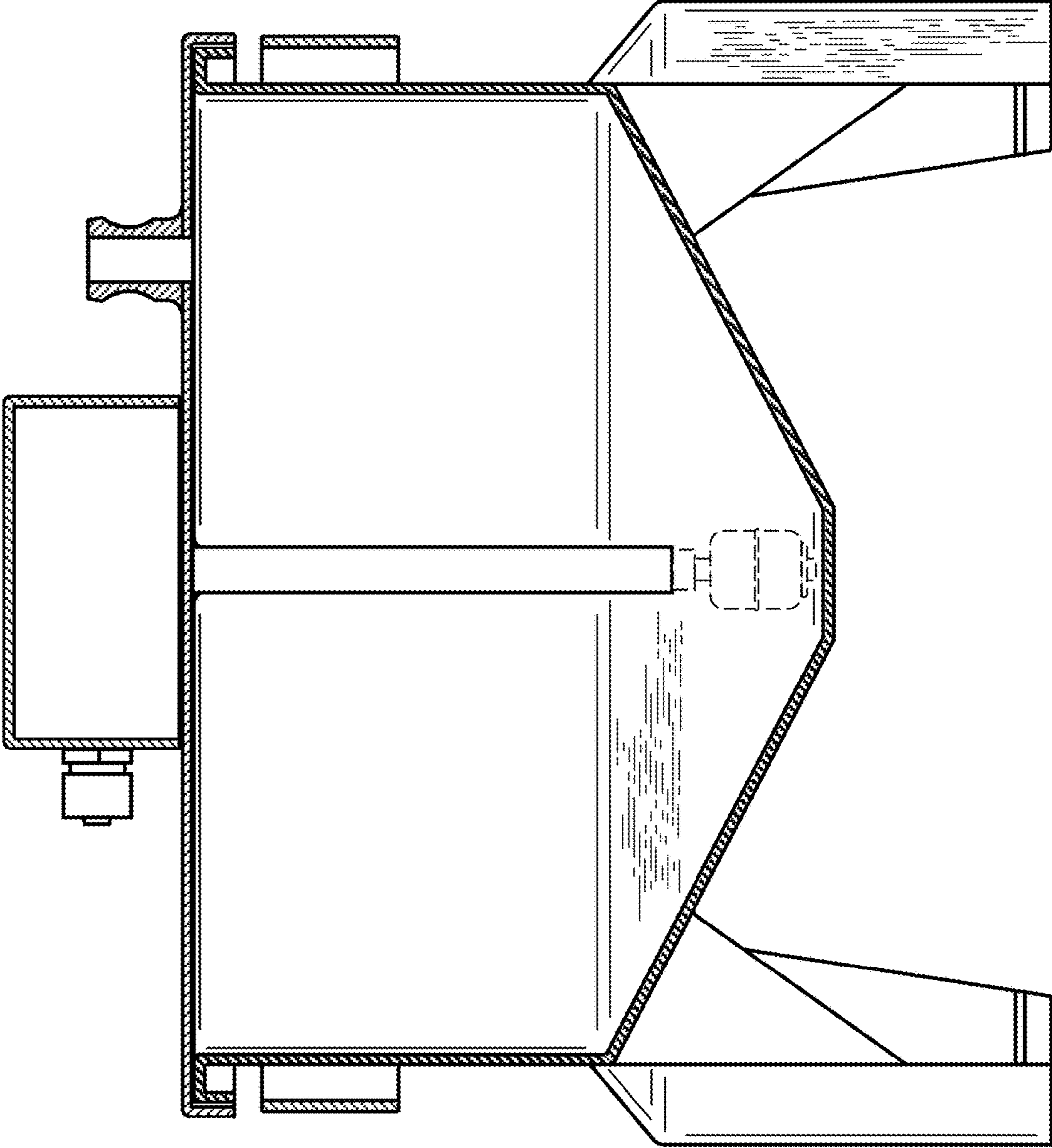


FIG. 8