



US00D830492S

(12) **United States Design Patent** (10) **Patent No.:** **US D830,492 S**
Ambler et al. (45) **Date of Patent:** **** Oct. 9, 2018**

(54) **MOUSE TRAP**

D647,590 S * 10/2011 Watson D22/119
D711,495 S * 8/2014 Metlen D22/119
8,839,550 B2 * 9/2014 Gardner A01M 23/00
43/60

(71) Applicant: **WOODSTREAM CORPORATION**,
Lititz, PA (US)

* cited by examiner

(72) Inventors: **Matthew Ambler**, Glenside, PA (US);
Luke Benjamin Haney, Lititz, PA (US)

Primary Examiner — Catherine R Oliver-Garcia
(74) *Attorney, Agent, or Firm* — Jacobson Holman,
PLLC.

(73) Assignee: **WOODSTREAM CORPORATION**,
Lititz, PA (US)

(57) **CLAIM**

(**) Term: **15 Years**

We claim the ornamental design for a mouse trap, as shown
and described.

(21) Appl. No.: **29/608,408**

DESCRIPTION

(22) Filed: **Jun. 21, 2017**

(51) **LOC (11) Cl.** **22-06**

(52) **U.S. Cl.**
USPC **D22/119**

(58) **Field of Classification Search**
USPC D22/119–124; 43/58, 60–61, 65–66, 70,
43/81, 136–137

CPC .. A01M 25/002; A01M 25/004; A01M 23/00;
A01M 23/08; A01M 23/18; A01M 23/20;
A01M 23/22; A01M 23/005

See application file for complete search history.

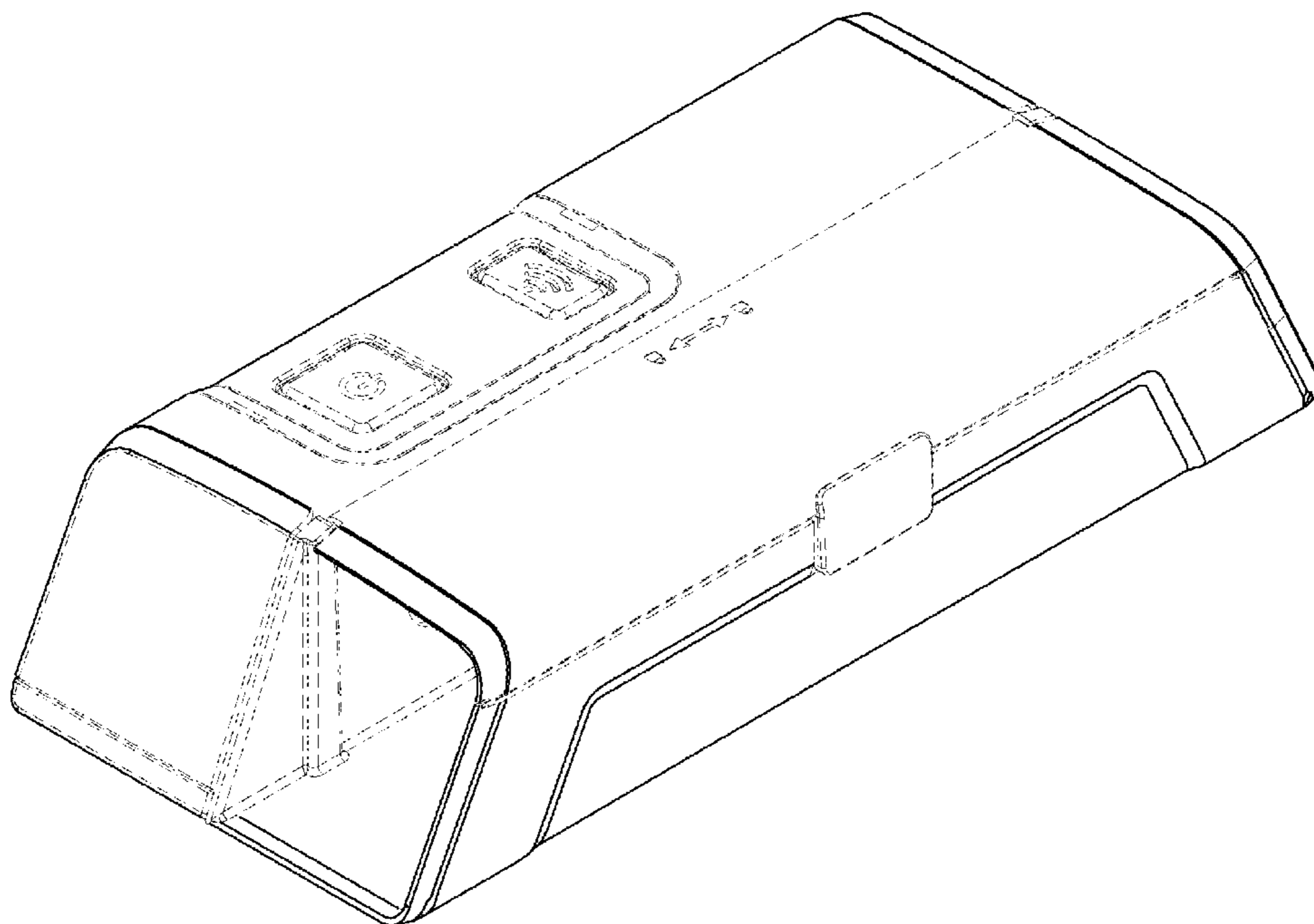
FIG. 1 is a front perspective view of a mouse trap according
to the invention;
FIG. 2 is a rear perspective of FIG. 1;
FIG. 3 is a top plan view of FIG. 1;
FIG. 4 is a bottom plan view of FIG. 1;
FIG. 5 is a front elevational view of FIG. 1;
FIG. 6 is a rear elevational view of FIG. 1;
FIG. 7 is a left side elevational view of FIG. 1;
FIG. 8 is a right side elevational view of FIG. 1;
FIG. 9 is a front perspective view of a second embodiment
of a mouse trap
FIG. 10 is a rear perspective view of FIG. 9;
FIG. 11 is a top plan view of FIG. 9;
FIG. 12 is a bottom plan view of FIG. 9;
FIG. 13 is a front elevational view of FIG. 9;
FIG. 14 is a rear elevational view of FIG. 9;
FIG. 15 is a left side elevational view of FIG. 9; and,
FIG. 16 is a right side elevational view of FIG. 9.
The broken lines in the drawings illustrate portions of a
mouse trap that form no part of the claimed design.

(56) **References Cited**

U.S. PATENT DOCUMENTS

4,829,700 A * 5/1989 Ha A01M 23/18
43/61
D582,504 S * 12/2008 Wiesener D22/119

1 Claim, 11 Drawing Sheets



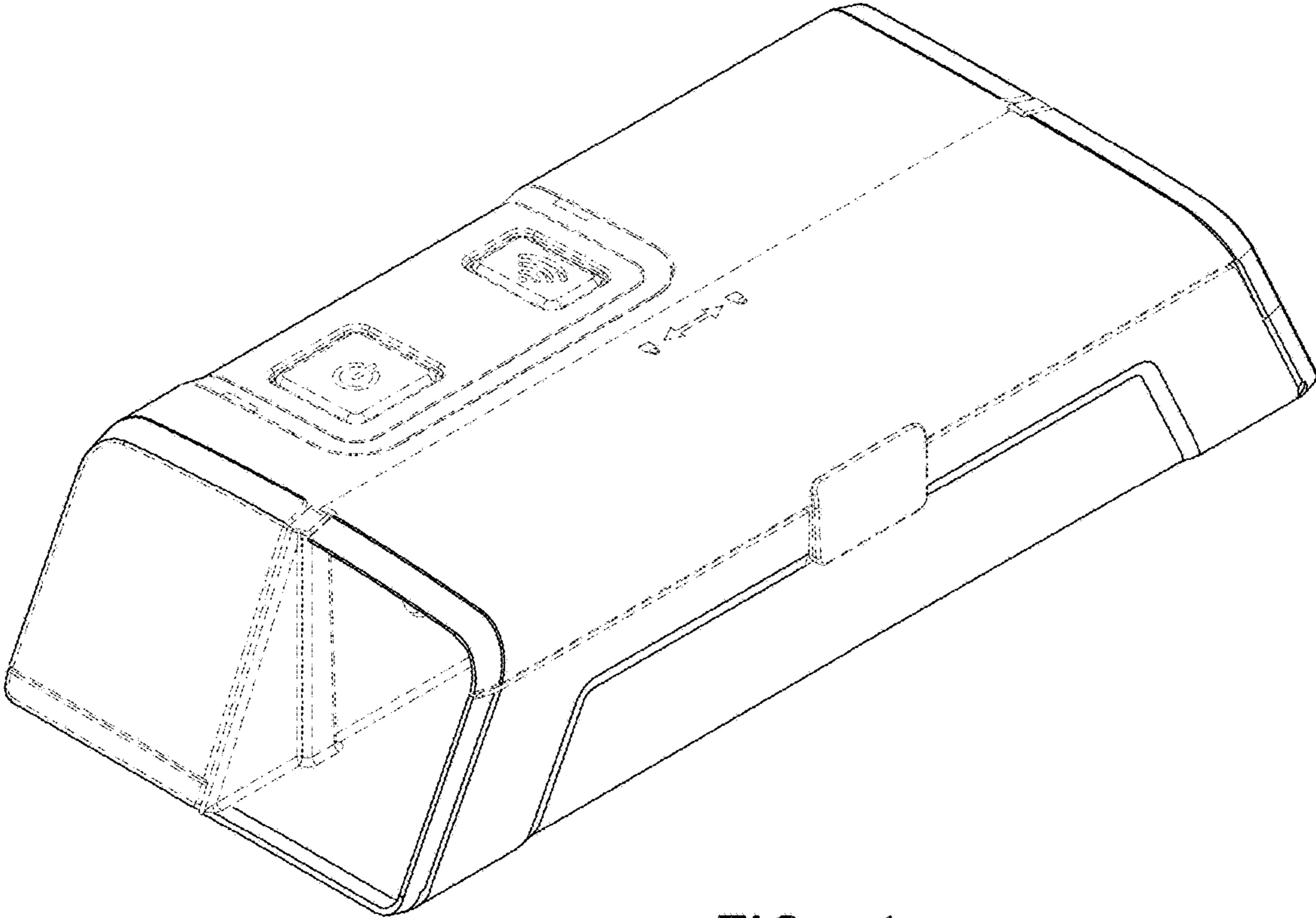


FIG. 1

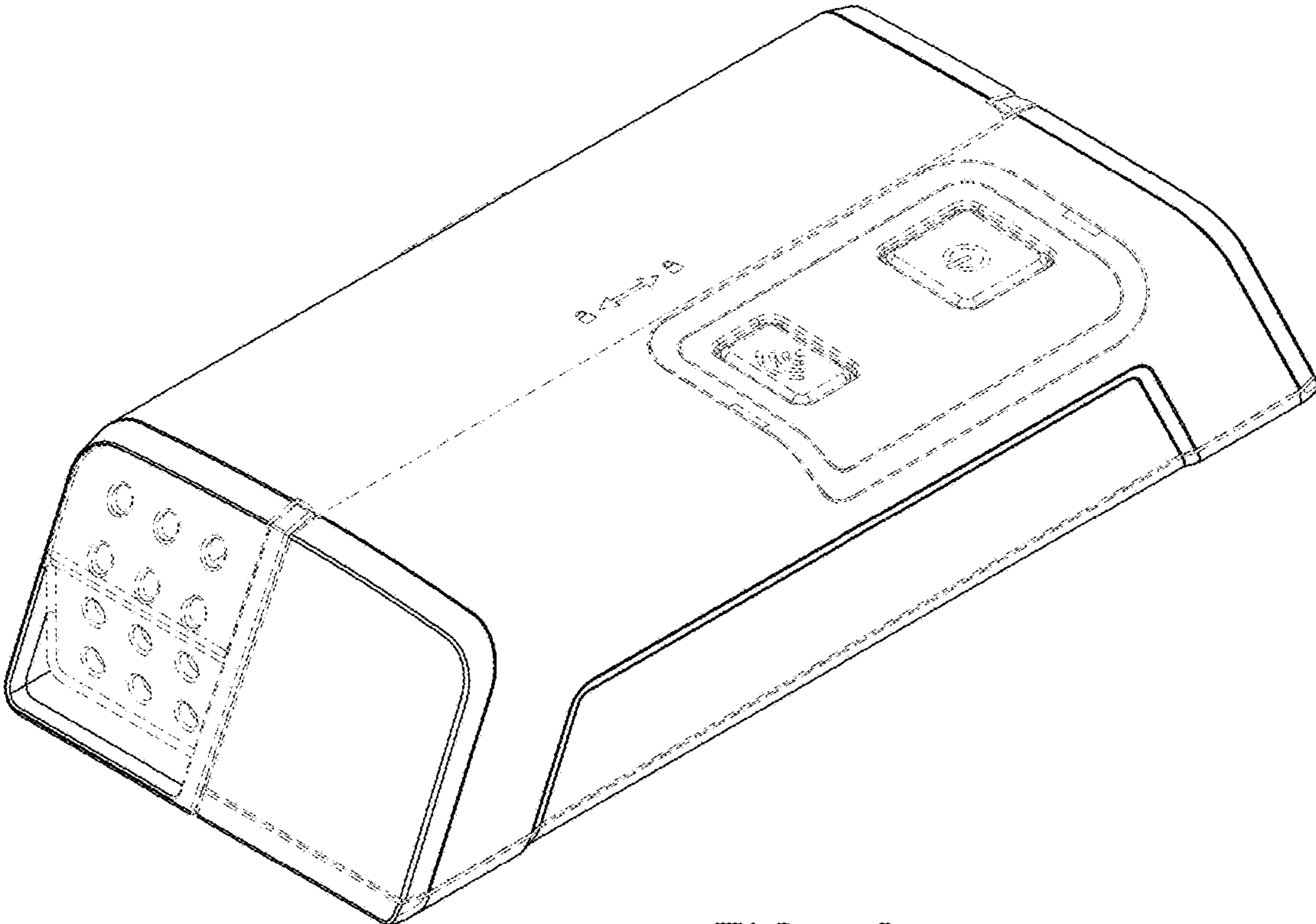


FIG. 2

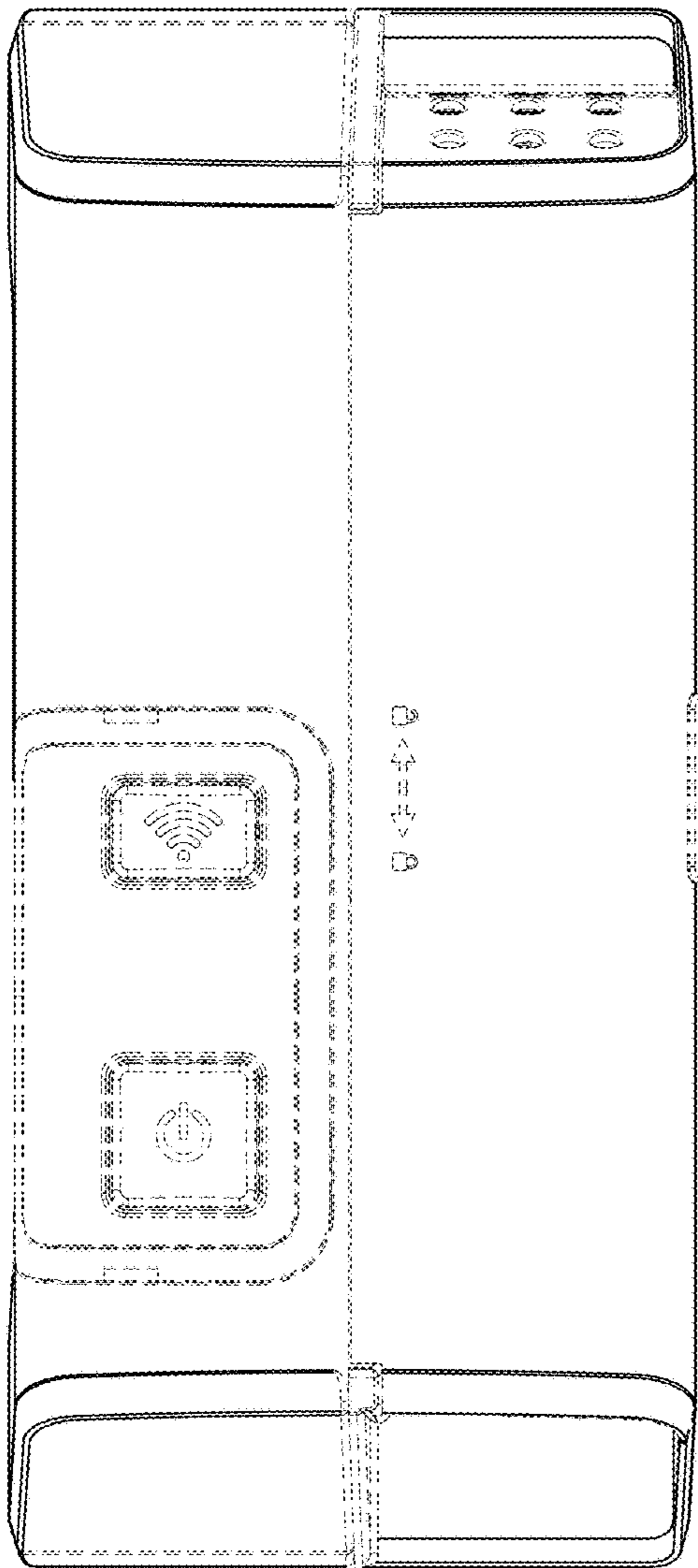


FIG. 3

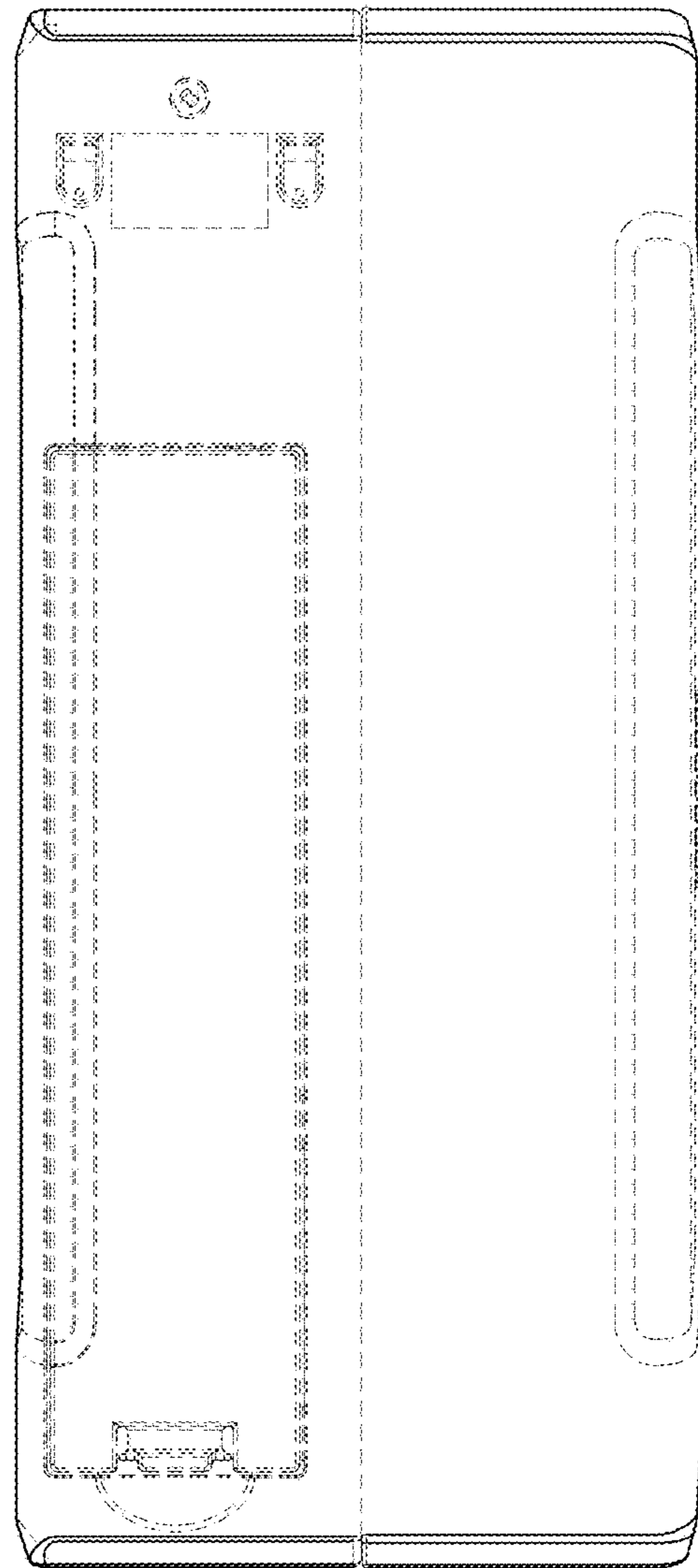


FIG. 4

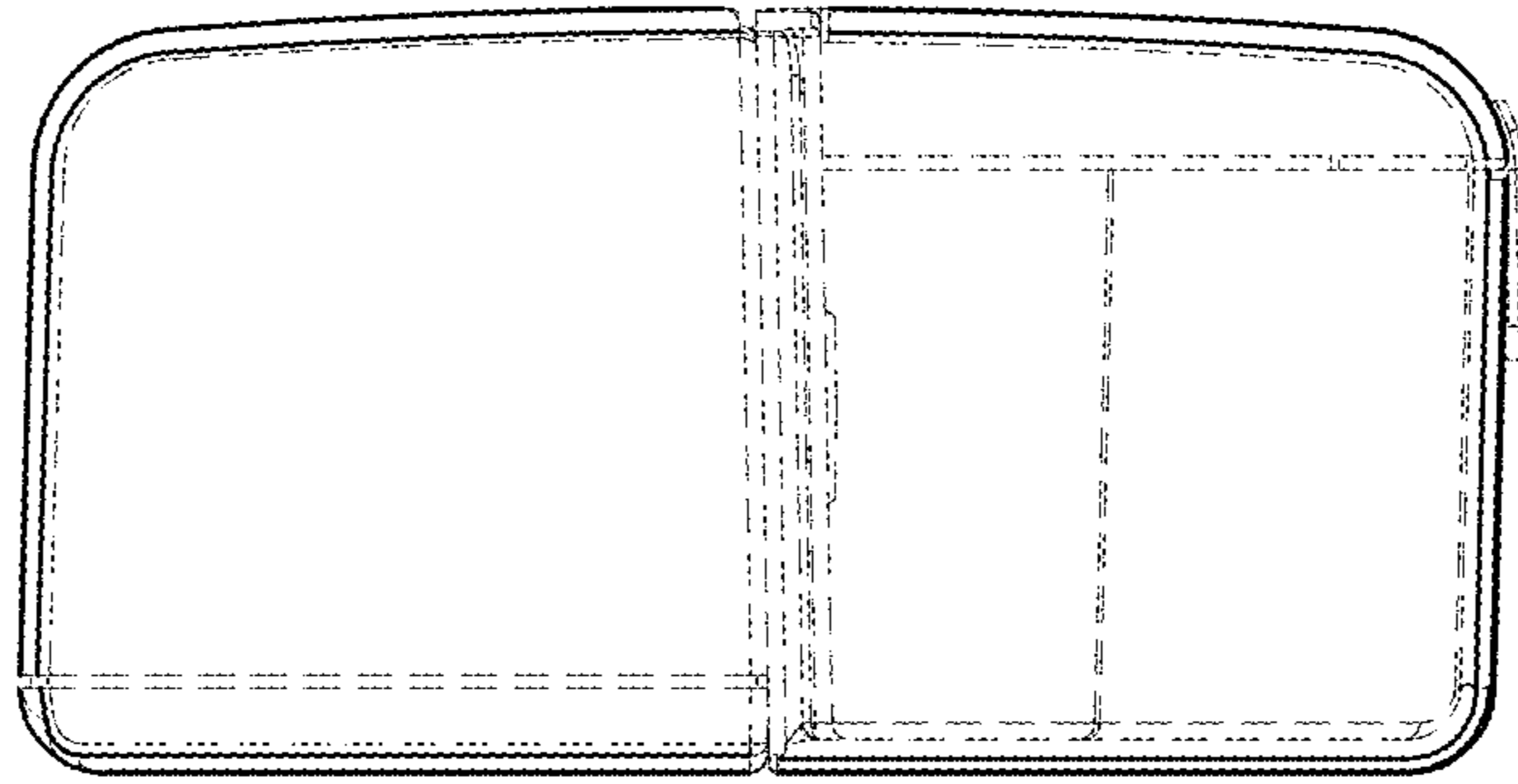


FIG. 5

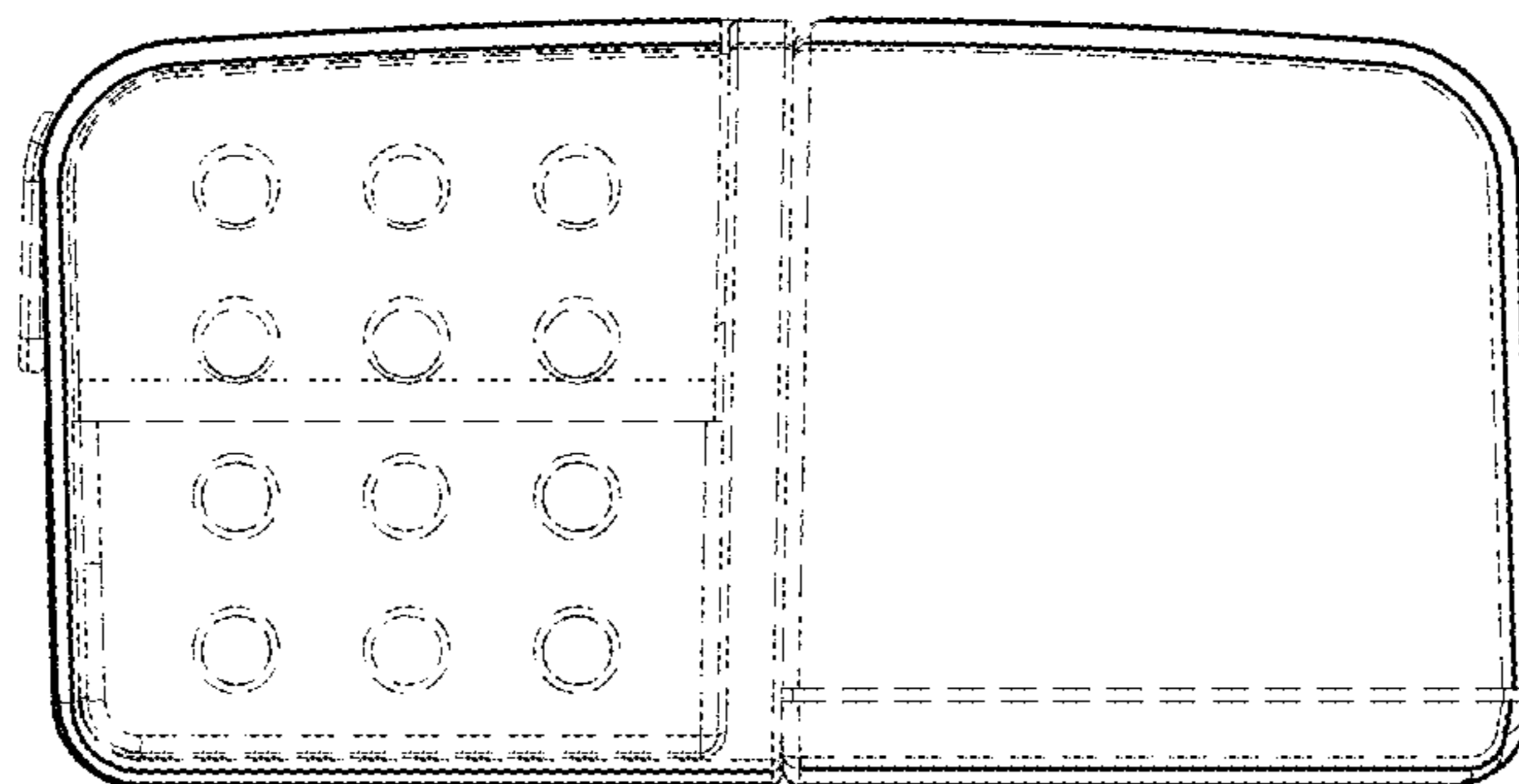


FIG. 6

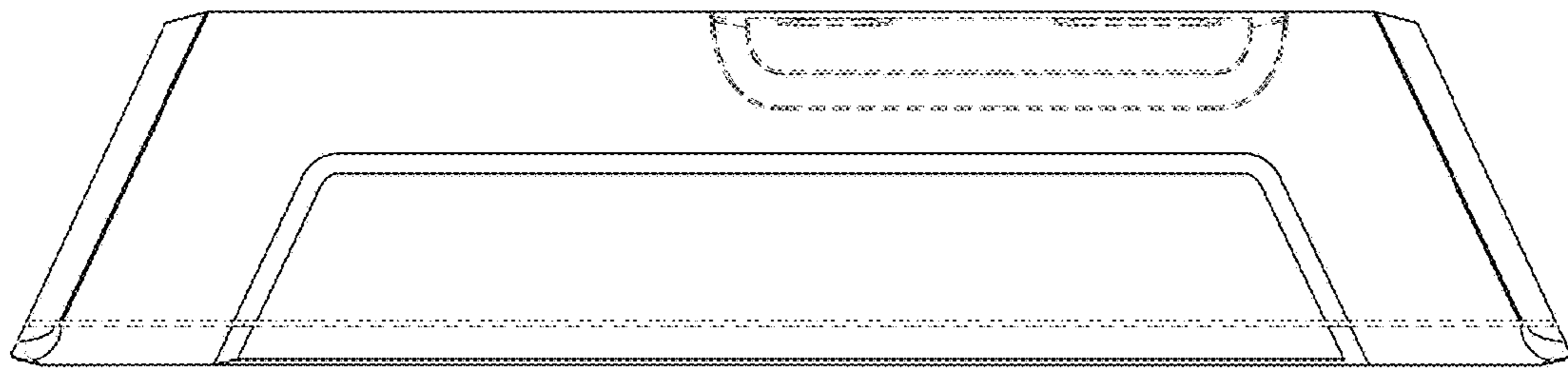


FIG. 7

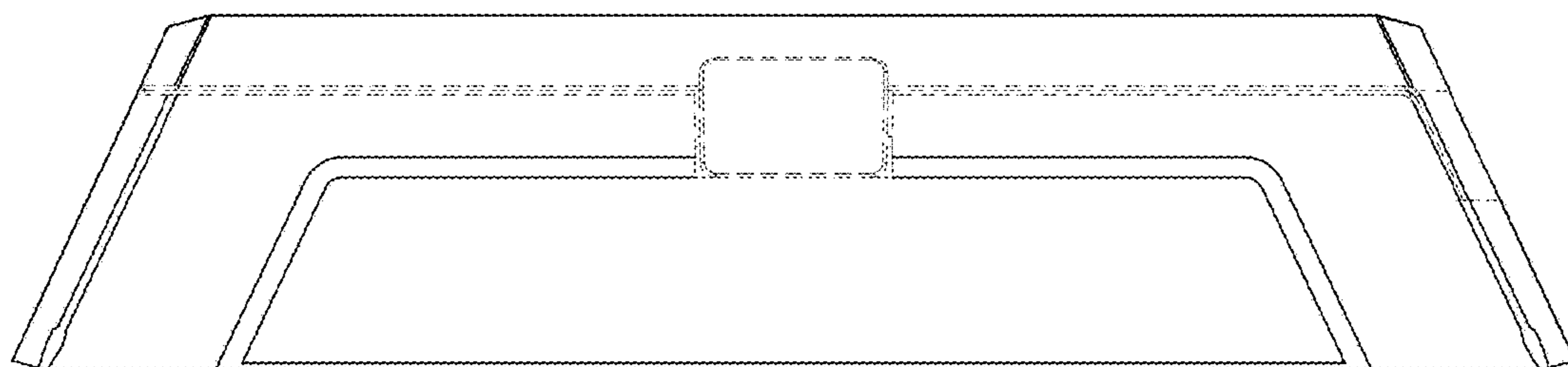


FIG. 8

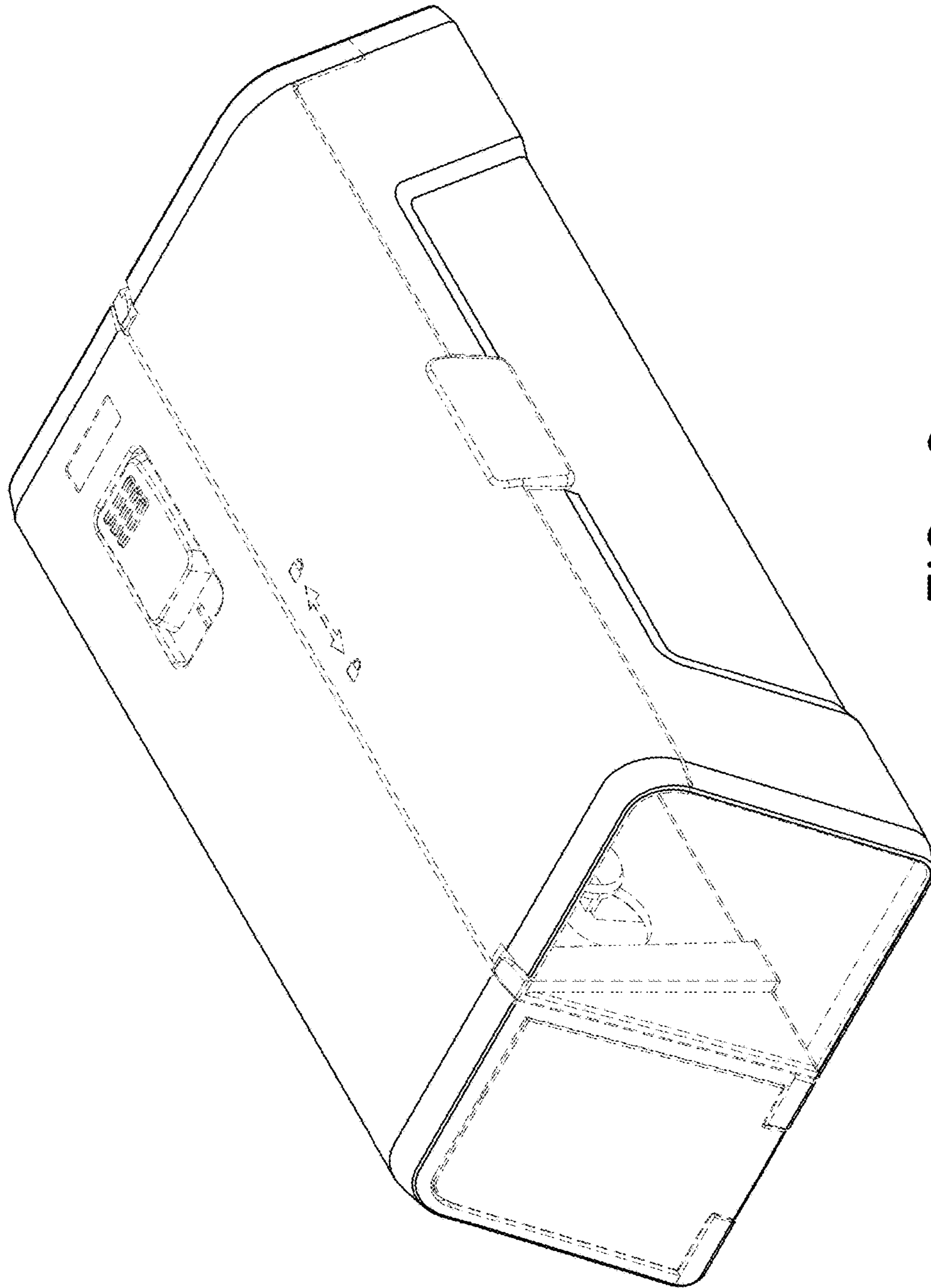


FIG. 9

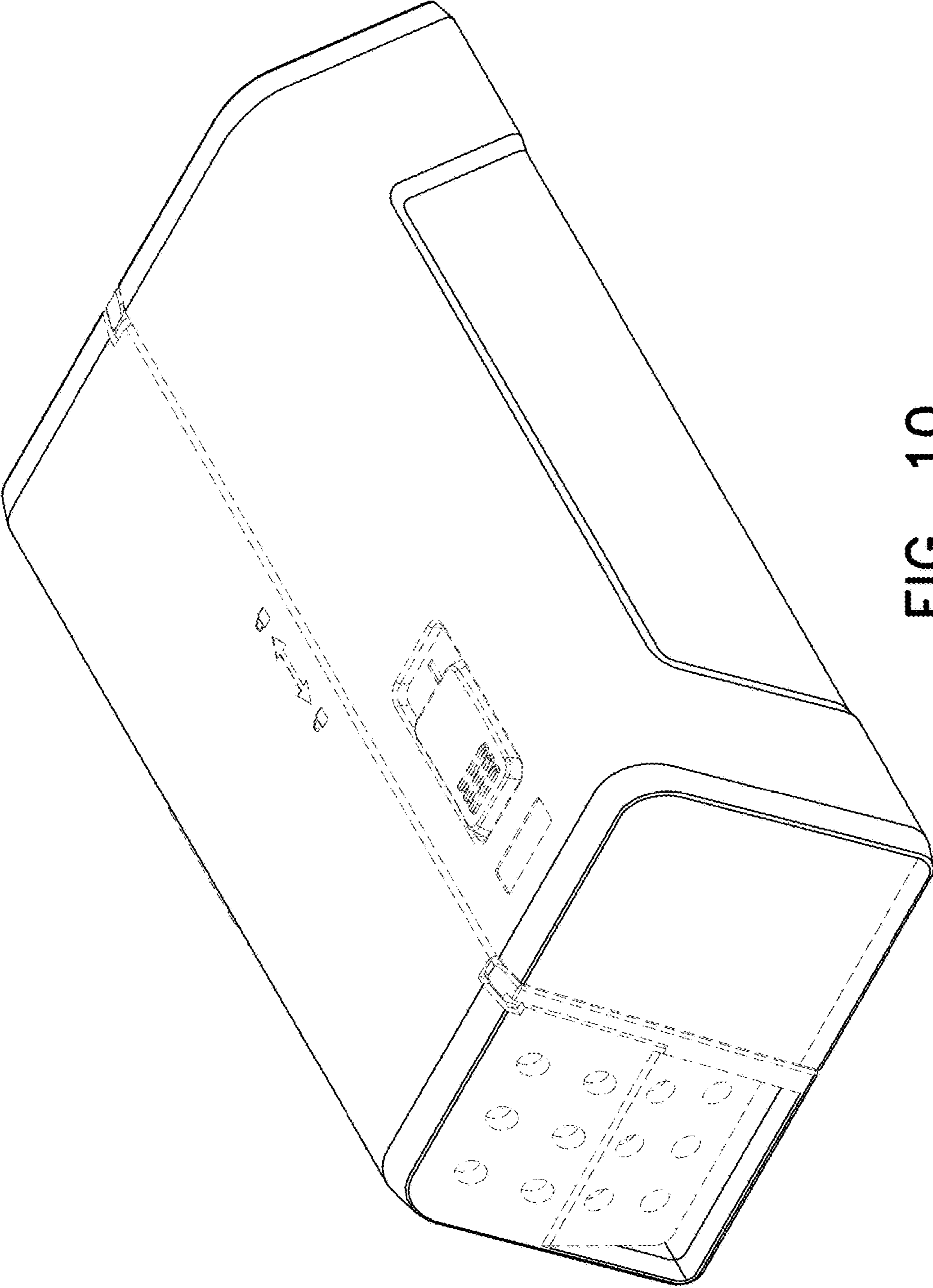


FIG. 10

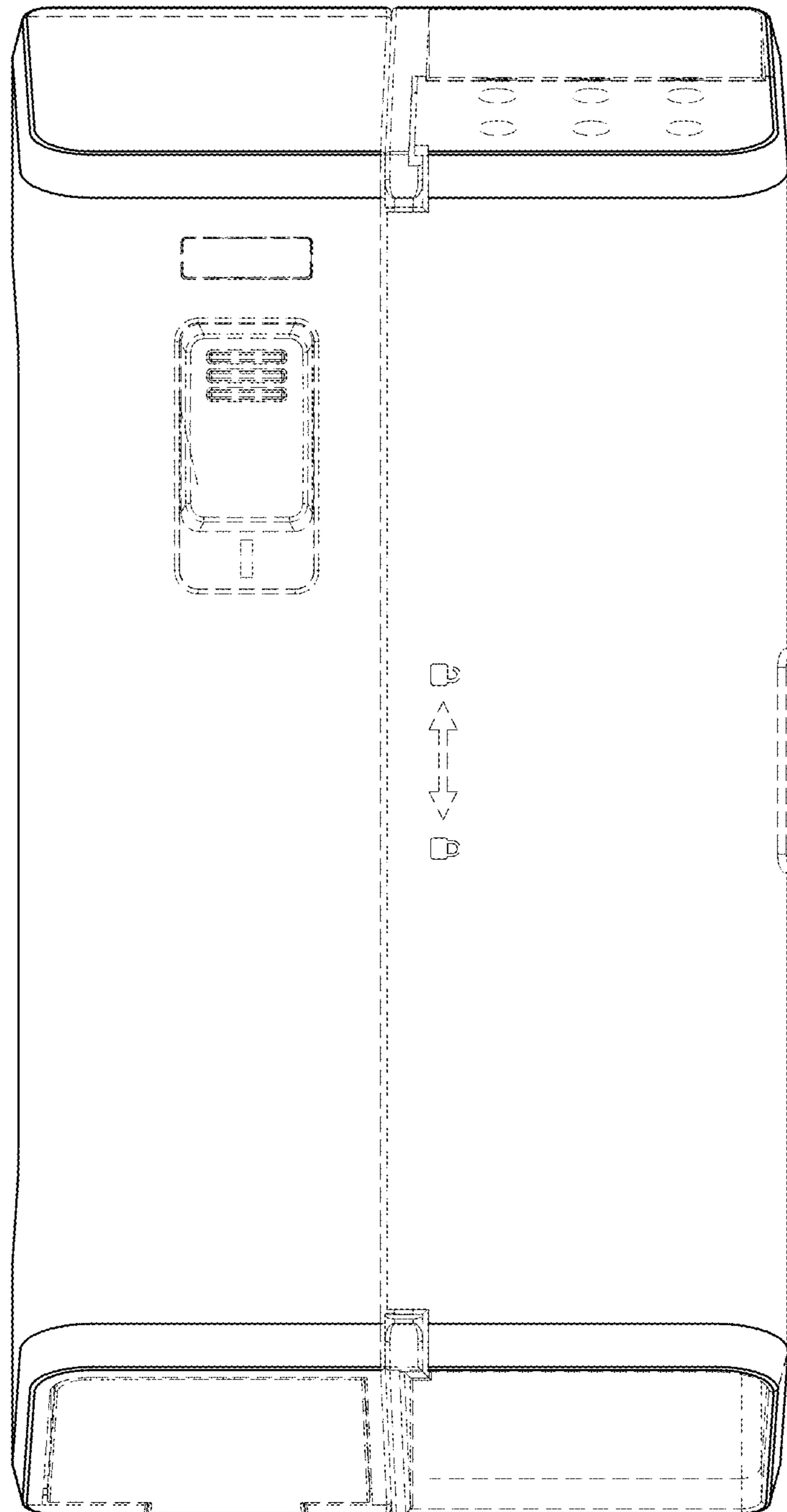


FIG. 11

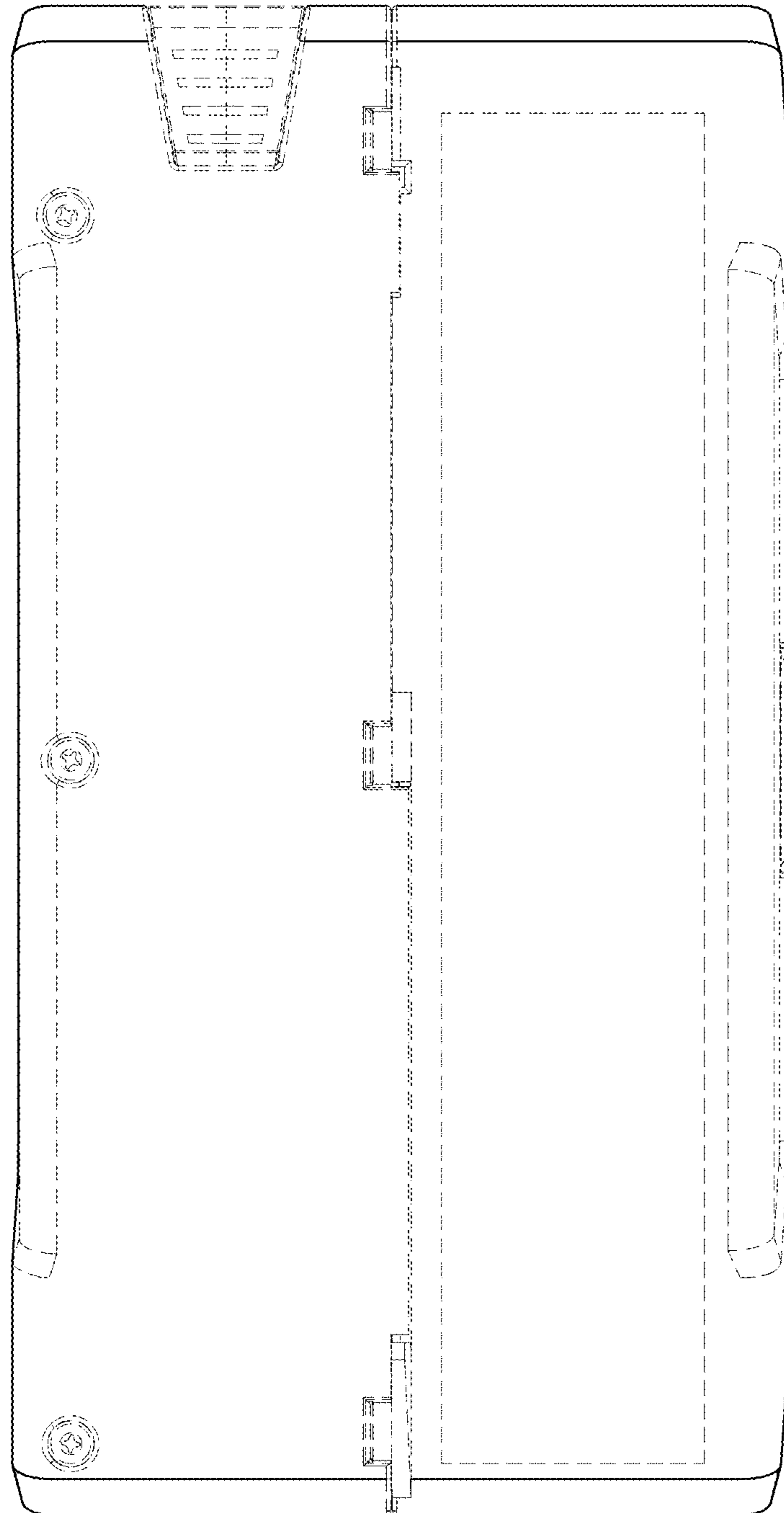


FIG. 12

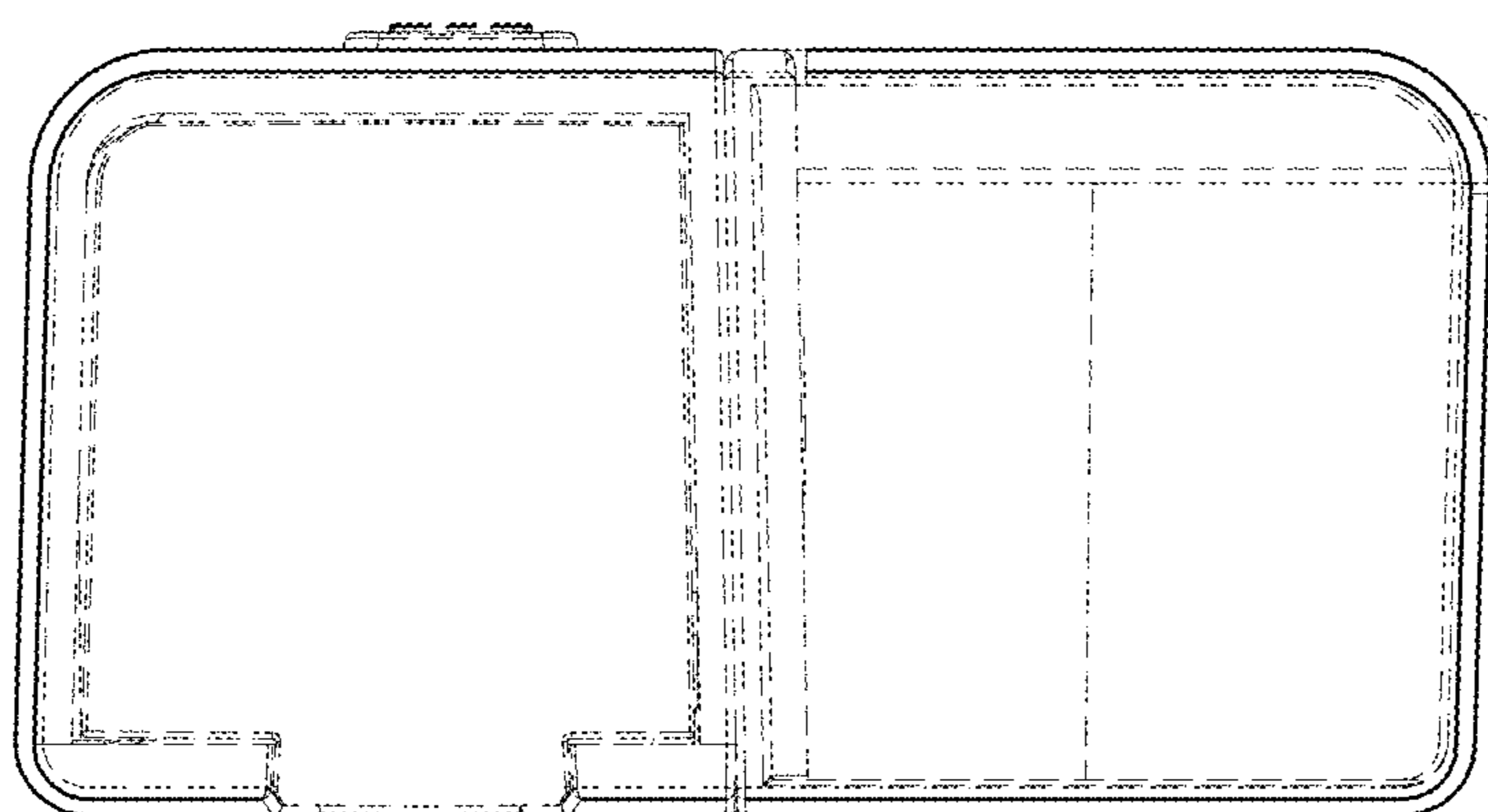


FIG. 13

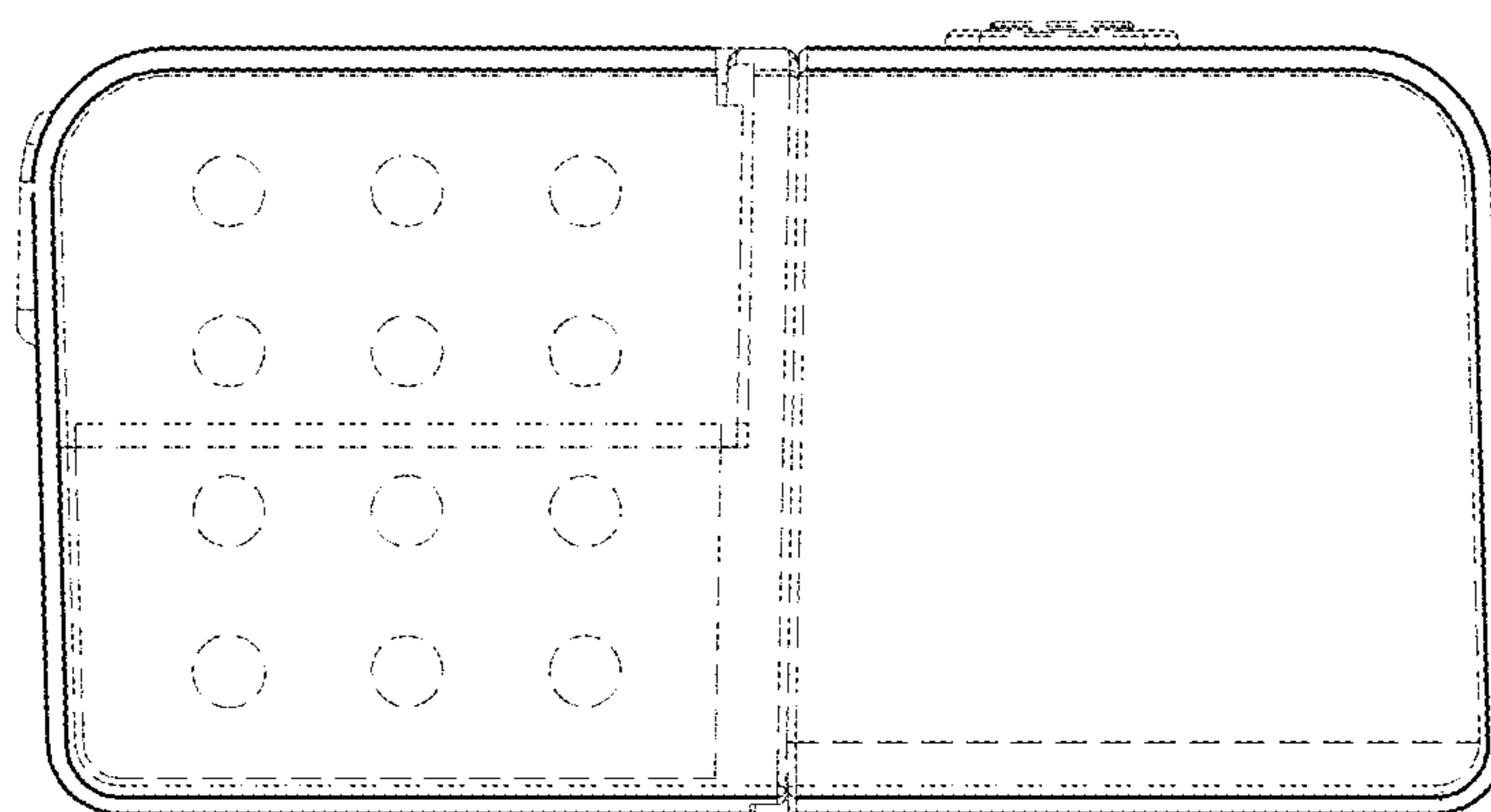


FIG. 14

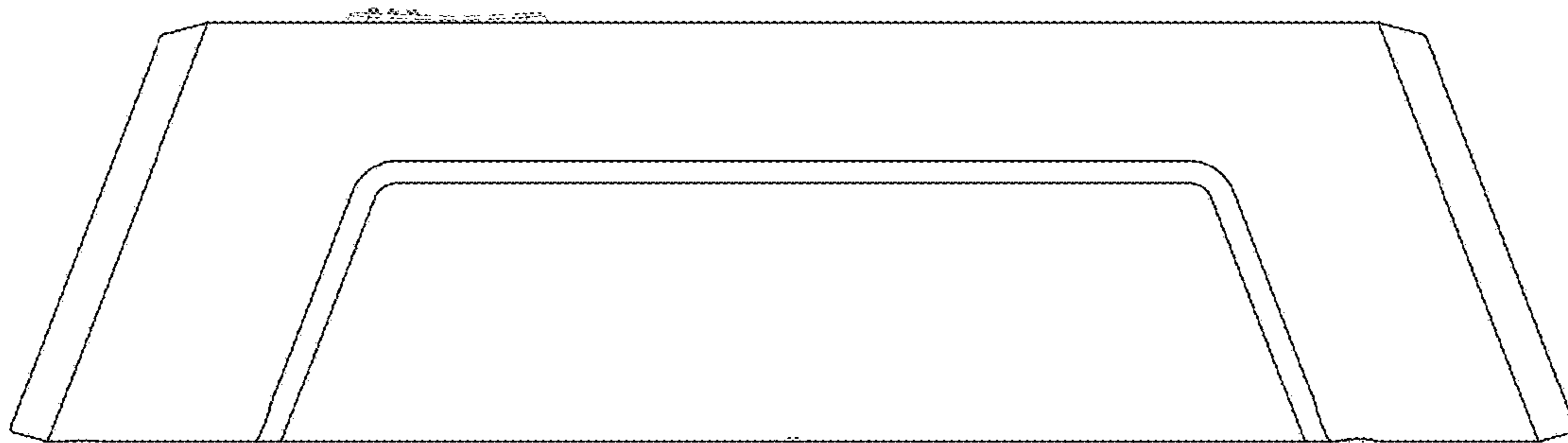


FIG. 15

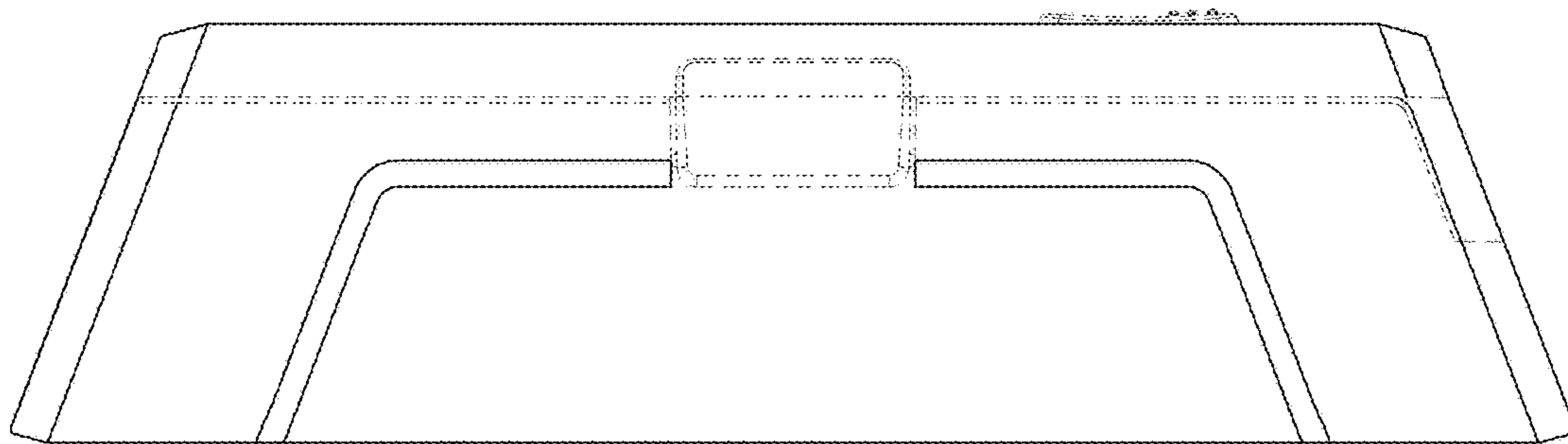


FIG. 16