



US00D830491S

(12) **United States Design Patent** (10) **Patent No.:** **US D830,491 S**
Mock et al. (45) **Date of Patent:** **** Oct. 9, 2018**

(54) **ELECTRONIC DEVICE FOR USE WITH
DETERRENT DEVICE**

(71) Applicant: **Crosman Corporation**, Bloomfield,
NY (US)

(72) Inventors: **Jeffrey W. Mock**, Rochester, NY (US);
John A. Kowalczyk, Jr., Fairport, NY
(US); **Thomas O. Pierce**, Rochester,
NY (US)

(73) Assignee: **Crosman Corporation**, Bloomfield,
NY (US)

(**) Term: **15 Years**

(21) Appl. No.: **29/579,330**

(22) Filed: **Sep. 29, 2016**

(51) **LOC (11) Cl.** **22-01**

(52) **U.S. Cl.**
USPC **D22/109**

(58) **Field of Classification Search**

USPC D22/108-111, 199; D16/130, 132, 133,
D16/134, 330; 42/104, 105, 111-113,
42/116, 119, 120, 122, 124-129,
42/133-140, 141-148; 89/111-113;
33/227, 229; 359/359, 399, 744, 823
CPC ... F41G 1/16; F41G 1/06; F41G 1/065; F41G
1/08; F41G 1/10; F41G 1/12; F41G 1/14;
F41G 1/30; F41G 1/32; F41G 1/38; F41G
1/40; F41G 1/42; F41G 1/44; F41G 1/46;
(Continued)

(56) **References Cited**

U.S. PATENT DOCUMENTS

541,981 A 7/1895 McMahon
D506,486 S * 6/2005 Kuo D16/133
(Continued)

OTHER PUBLICATIONS

SPS-C-R Lasermax.com, [online], [site visited Jun. 9, 2017]. URL:
https://www.lasermax.com/products/rail-mounted-lasers/sps-c-r.*

(Continued)

Primary Examiner — T. Chase Nelson

Assistant Examiner — Jonathan J. Han

(74) *Attorney, Agent, or Firm* — Roland R. Schindler, II;
Dominic Ciminello; Lee & Hayes

(57) **CLAIM**

The ornamental design for the electronic device for use with
deterrent device, as shown and described.

DESCRIPTION

Cross reference is made to U.S. patent application Ser. No.
15/279,841, entitled “Electronic Device For Use With Deter-
rent Device” filed on Sep. 29, 2016, U.S. patent application
Ser. No. 15/222,718, entitled “Adjustable Rail Mounting
System” filed on Jul. 28, 2016, and U.S. patent application
Ser. No. 29/534,285 entitled “Rail Mounted Light Source”,
filed on Jul. 28, 2015.

FIG. 1 is a front, top, right side perspective view of our new
design.

FIG. 2 is a front, top, left side perspective view of the
embodiment of FIG. 1.

FIG. 3 is a front elevation view of the embodiment of FIG.
1.

FIG. 4 is a rear elevation view of the embodiment of FIG.
1.

FIG. 5 is a left elevation view of the embodiment of FIG. 1.

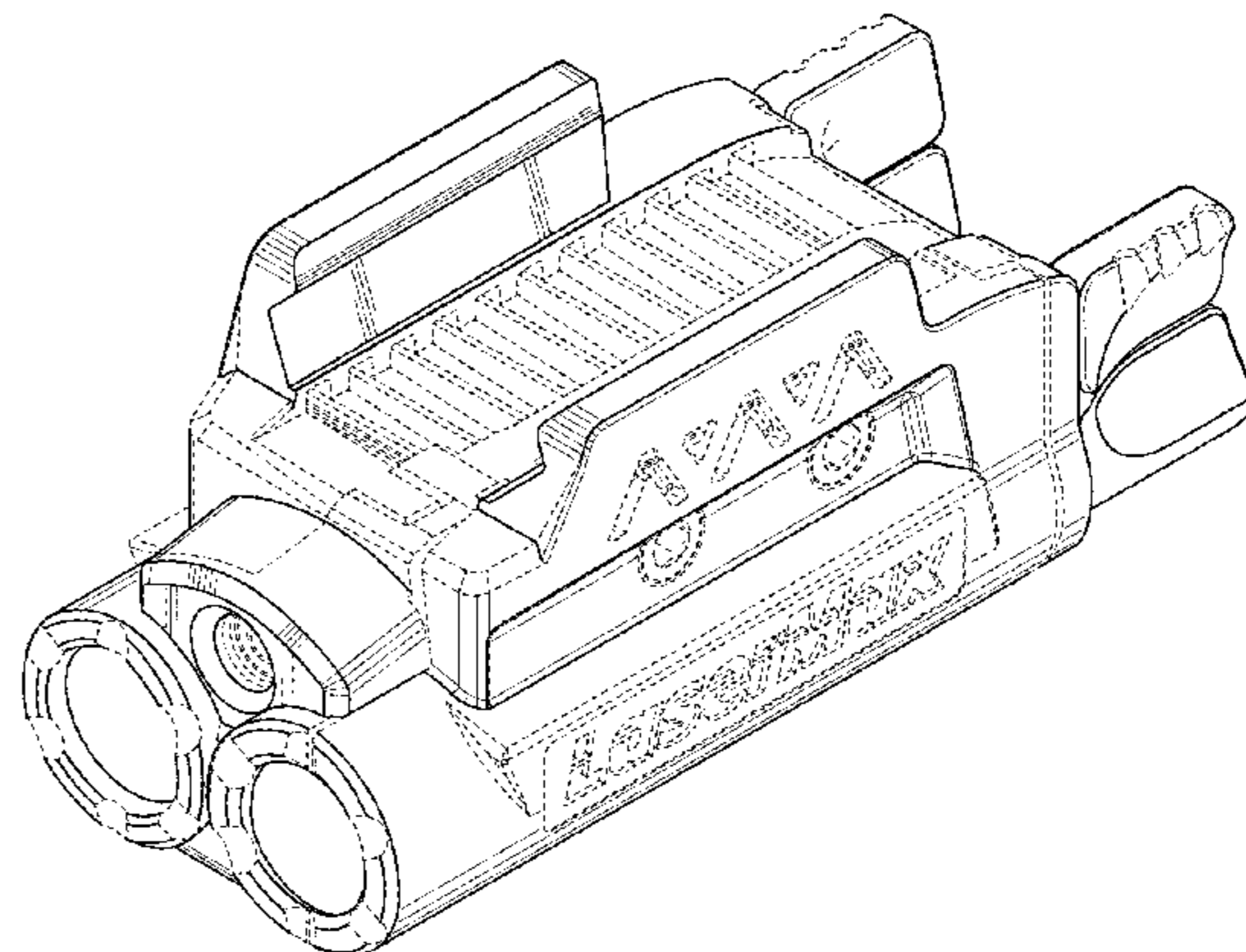
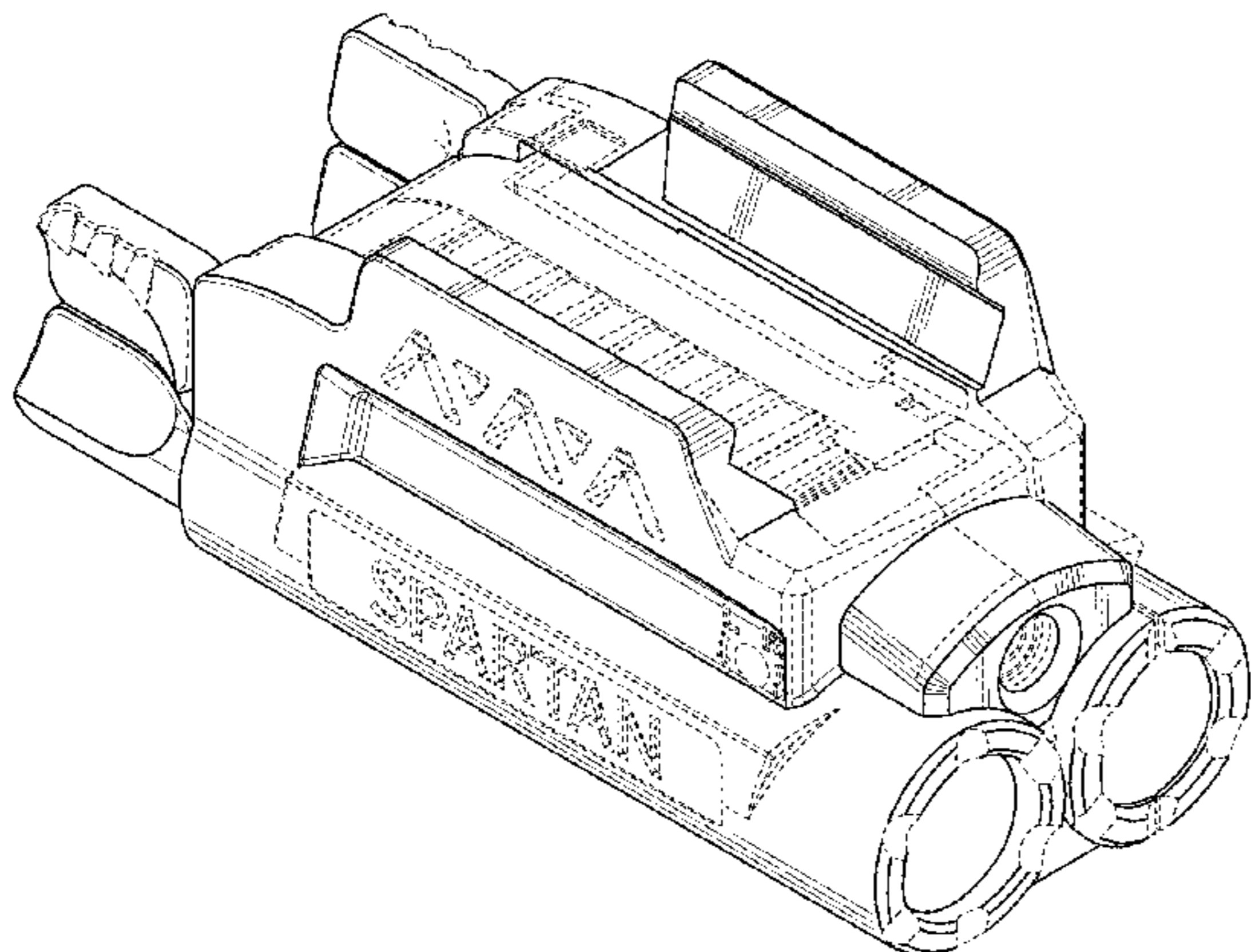
FIG. 6 is a right view of the embodiment of FIG. 1.

FIG. 7 is a top view of the embodiment of FIG. 1; and,

FIG. 8 is a bottom view of the embodiment of FIG. 1.

The broken lines in the figures are used to depict unclaimed
portions and form no part of the claimed design.

1 Claim, 6 Drawing Sheets



(58) **Field of Classification Search**

CPC F41G 1/383; F41G 1/387; F41G 1/393;
 F41G 3/00; F41G 3/005; F41G 3/02;
 F41G 3/04; F41G 3/06; F41G 3/14; F41G
 11/002; F41G 11/003; F41G 11/004;
 F41G 11/005; G02B 23/20

See application file for complete search history.

(56) **References Cited**

U.S. PATENT DOCUMENTS

D547,780 S * 7/2007 Meinzer D16/132
 7,325,352 B2 2/2008 Matthews et al.
 D568,508 S * 5/2008 Howe D26/38
 D570,018 S * 5/2008 Ciccone, Jr. D26/37
 D578,599 S * 10/2008 Cheng D16/130
 D586,874 S * 2/2009 Moody D22/109
 D612,756 S * 3/2010 D'Amelio D10/70
 D616,956 S * 6/2010 Hamilton D22/108
 D628,323 S * 11/2010 Matthews D22/108
 D641,826 S * 7/2011 Larsson D22/109
 D647,159 S * 10/2011 Kobayashi D22/109
 D651,628 S * 1/2012 Wang D16/132
 8,109,032 B2 2/2012 Faifer
 8,322,066 B2 12/2012 Westra
 D674,858 S * 1/2013 Galli D22/108
 D675,281 S 1/2013 Speroni
 D679,304 S * 4/2013 Delaney D16/133
 D679,775 S * 4/2013 Cheng D22/109
 D682,977 S * 5/2013 Thummel D10/70
 8,490,313 B2 7/2013 Frascati et al.
 D693,867 S * 11/2013 Radau D16/133
 8,578,647 B2 11/2013 Storch et al.
 D696,377 S * 12/2013 Thummel D22/109
 D701,279 S 3/2014 Clark
 8,683,731 B2 4/2014 Kowalczyk et al.
 D704,297 S * 5/2014 Cheng D22/109
 D712,001 S * 8/2014 Wells D22/108
 D729,339 S * 5/2015 Chavez D22/109
 D732,134 S * 6/2015 Wells D22/108
 9,062,933 B1 6/2015 Allen et al.
 D737,399 S 8/2015 Cheng et al.
 D738,455 S * 9/2015 Homem de Mello Anderson
 D22/109
 D746,405 S * 12/2015 Nemeyer D22/109
 D749,689 S * 2/2016 Cheng D22/109
 D750,685 S * 3/2016 Santos D16/208
 D752,266 S * 3/2016 Dall D26/51
 D755,340 S * 5/2016 Essig D22/109
 D757,886 S * 5/2016 Cheng D22/109
 D762,806 S * 8/2016 Chavez D22/109
 D763,399 S * 8/2016 Anderson D22/109
 9,435,522 B2 * 9/2016 Galli F21V 23/0414
 D779,981 S * 2/2017 Kobayashi D10/70
 D781,983 S * 3/2017 Wells D22/108
 9,658,031 B1 * 5/2017 Hedeem F41G 1/35
 D792,544 S * 7/2017 Hartley D22/108
 D798,356 S * 9/2017 Grasheim D16/132
 D800,864 S * 10/2017 Hartley D22/109
 D802,704 S * 11/2017 Planck D22/109
 D807,981 S * 1/2018 Cheng D22/108
 D808,489 S * 1/2018 Cheng D22/108

2005/0246937 A1 11/2005 Kim
 2006/0196099 A1 9/2006 Matthews et al.
 2007/0074443 A1 4/2007 La France
 2007/0113462 A1 5/2007 Ho
 2007/0180752 A1 8/2007 Houde-Walter
 2007/0277422 A1 12/2007 Ding
 2008/0202010 A1 8/2008 Matthews et al.
 2010/0229450 A1 9/2010 Becker et al.
 2011/0162251 A1 7/2011 Houde-Walter
 2011/0185619 A1 * 8/2011 Finnegan F41G 1/35
 42/117
 2012/0124885 A1 5/2012 Caulk et al.
 2012/0206799 A1 * 8/2012 Riley G02B 27/20
 359/418
 2014/0176934 A1 * 6/2014 Perger G01C 3/04
 356/4.01
 2015/0124436 A1 * 5/2015 Galli F41G 11/003
 362/110
 2015/0241169 A1 8/2015 Cheng et al.
 2016/0209167 A1 * 7/2016 Wells F41C 27/00

OTHER PUBLICATIONS

Review: LaserMax Spartan Light/Laser Combo, TheFirearmBlog.com, Posted Oct. 7, 2016 by Pete M., [online], [site visited Jun. 9, 2017]. URL: <http://www.thefirearmblog.com/blog/2016/10/07/lasermx-spartan/>.
 Better Shooting Begins With The LaserMax Spartan Series, YouTube.com, fmgpubs, Published on Dec. 1, 2016, [online], [site visited Jun. 9, 2017]. URL: <https://www.youtube.com/watch?v=xSAC0FHRNrl>.
 Surefire XC1 Compact Pistol Weapon Light LED with 1 AAA Battery Aluminum Black, MidwayUSA.com, [online], [site visited Jun. 9, 2017]. URL: <https://www.midwayusa.com/product/579416/surefire-xc1-compact-pistol-weapon-light-led-with-1-aaa-battery-aluminum-black>.
 Lucid C3 Rail Mounted LED Weapons Light, 300 Lumens L-C3-Light w/Free Shipping and Handling, OpticsPlanets.com, [online], [site visited Jun. 9, 2017]. URL: <http://www.opticsplanet.com/lucid-c3-rail-mounted-led-weapons-light-300-lumens.html>.
 Wood, Keith, The Best Home Defense Lasers at Every Price Point, posted at Guns & Ammo, posting date Dec. 22, 2013. [online], [site visited Sep. 23, 2016]. Available from Internet, <URL: <http://www.gunsandammo.com/optics/best-home-defense-lasers-at-every-price/>>.
 Arbogast McMunn, Lasermax Picatinny Mounted Red Laser Review, posted at YouTube, posting date Apr. 16, 2014. [online], [site visited Sep. 23, 2016]. Available from Internet, <URL: https://www.youtube.com/watch?v=8ud_d3khwWw>.
 "4thPoint", Scout Concept and Jeff Cooper, posted at The Firing Line Forums, posting date Feb. 23, 2014. [online], [site visited Sep. 23, 2016]. Available from Internet, <URL: <https://thefiringline.com/forums/showthread.php?t=541981>>.
 Office Action for U.S. Appl. No. 15/222,718, dated May 25, 2017, John A. Kowalczyk, Jr., "Adjustable Rail Mounting System", 7 pages.
 Office Action for U.S. Appl. No. 29/590,068, dated Jan. 6, 2017, John A. Kowalczyk, Jr. et al., "Rail Mounted Light Source", 8 pages.

* cited by examiner

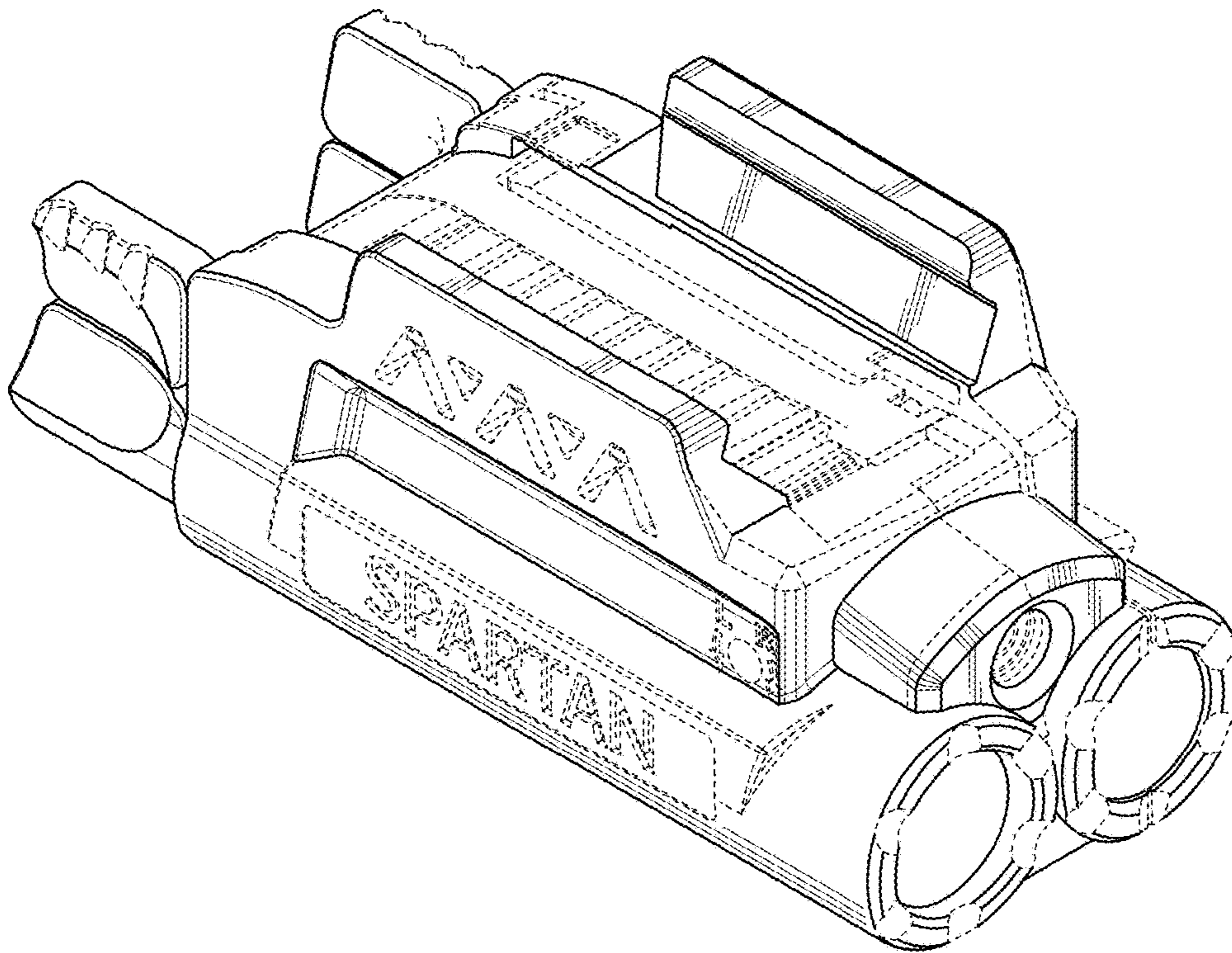


FIG. 1

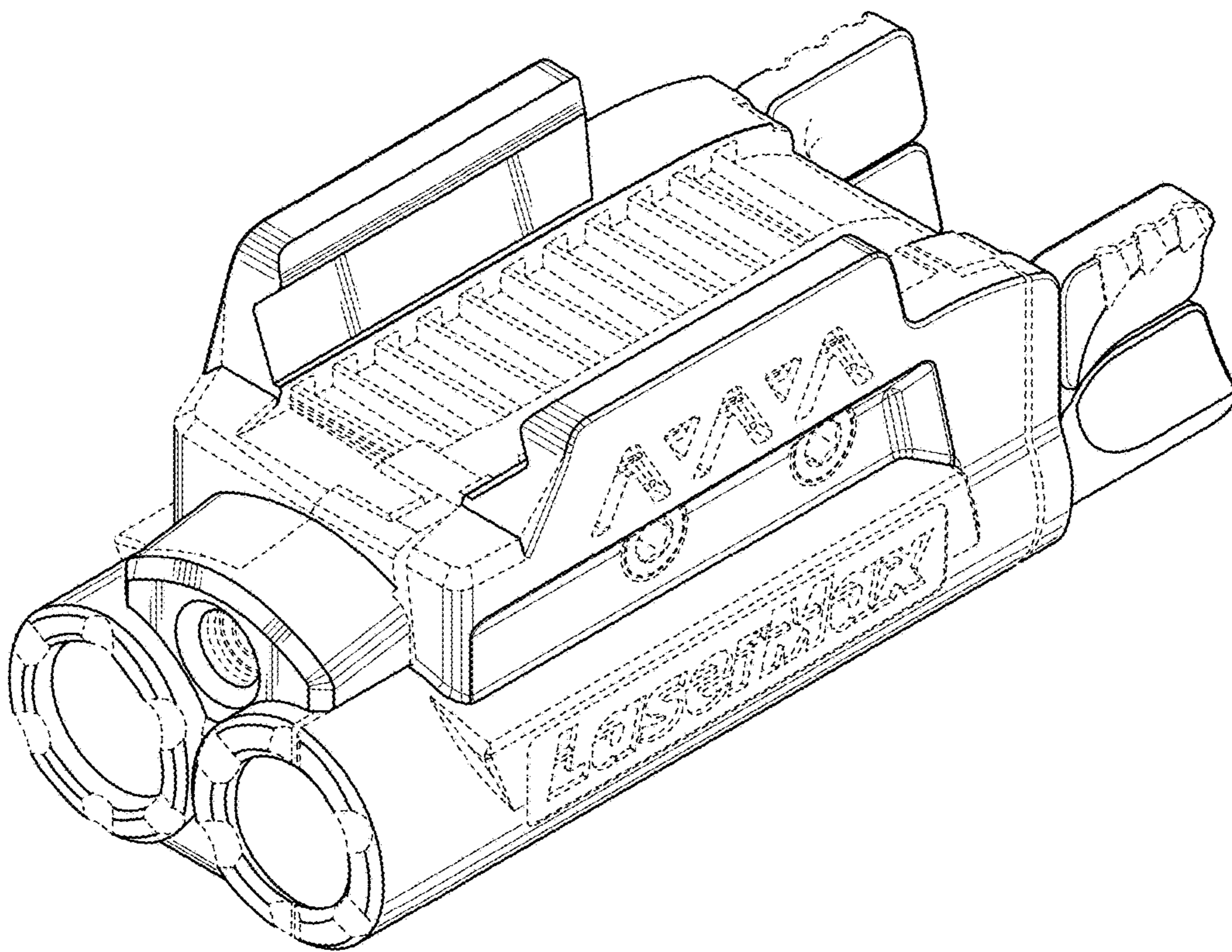


FIG. 2

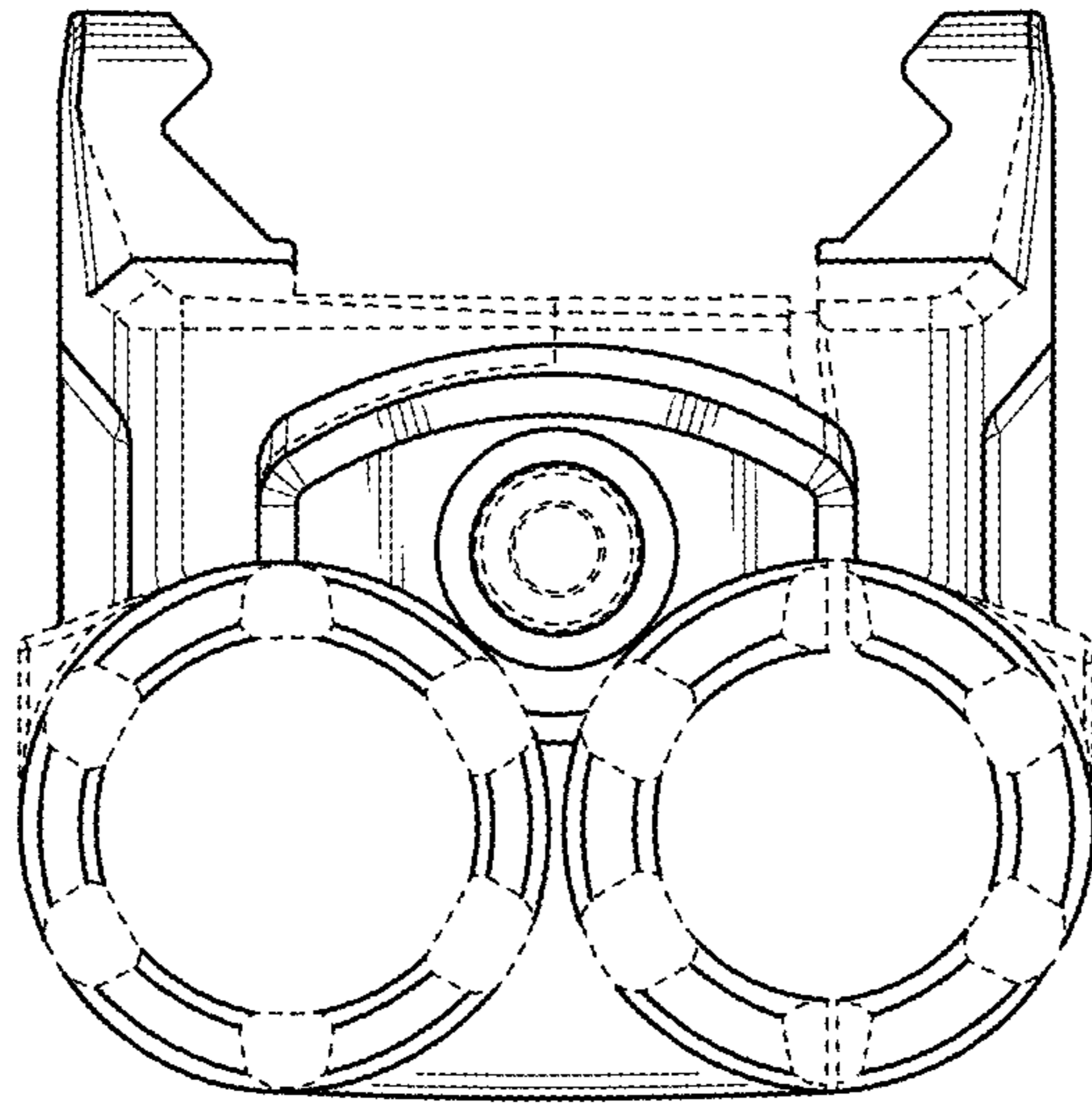


FIG. 3

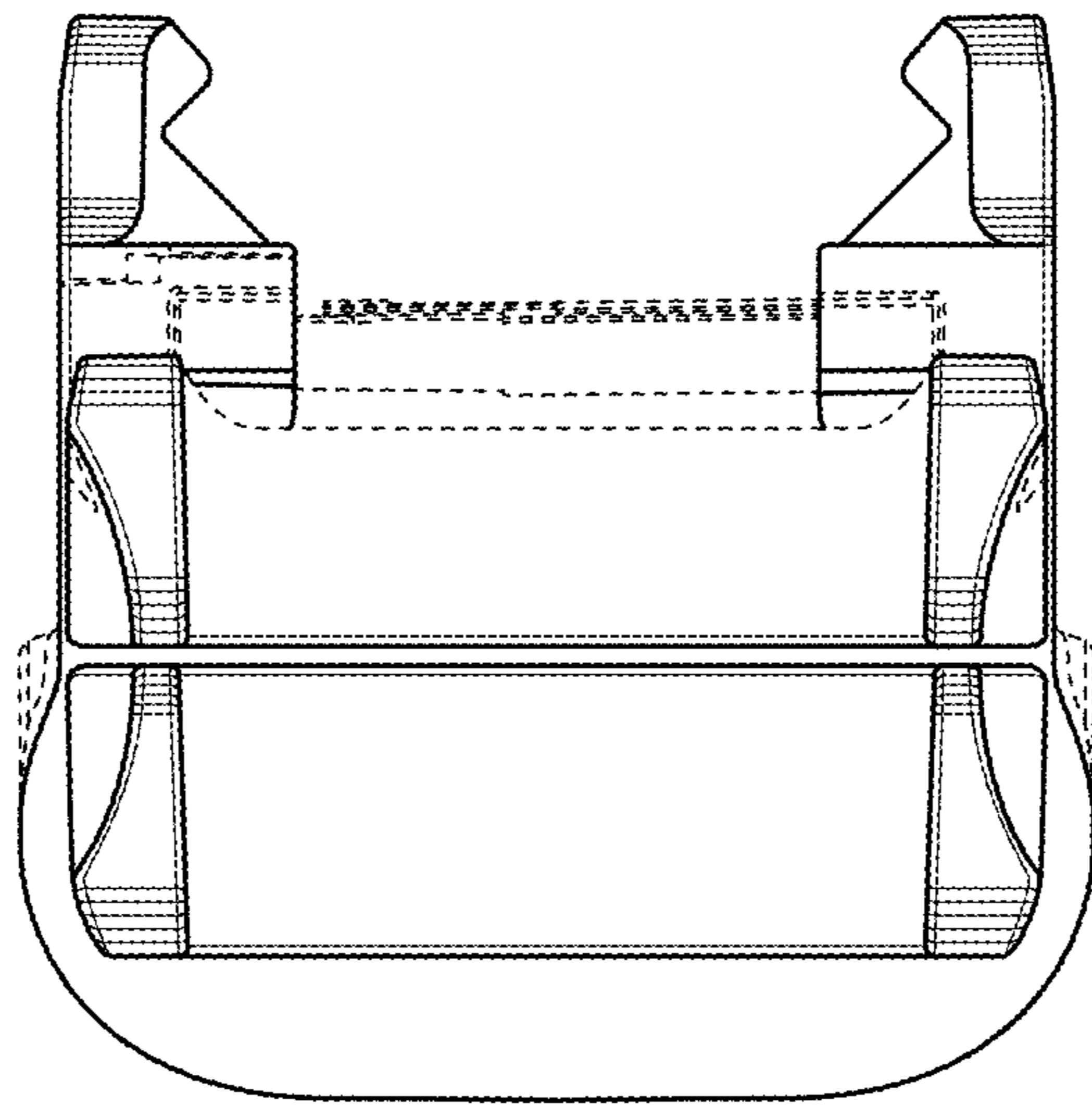


FIG. 4

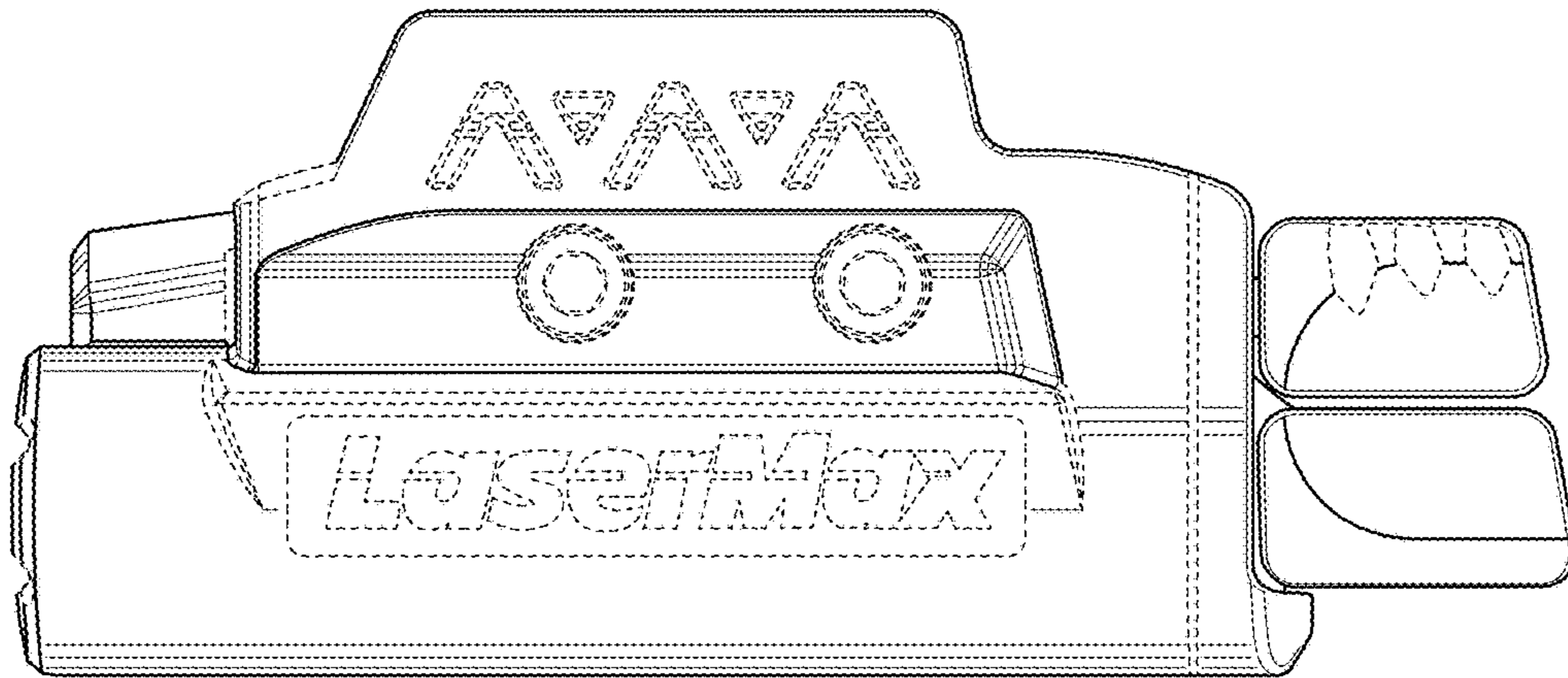


FIG. 5

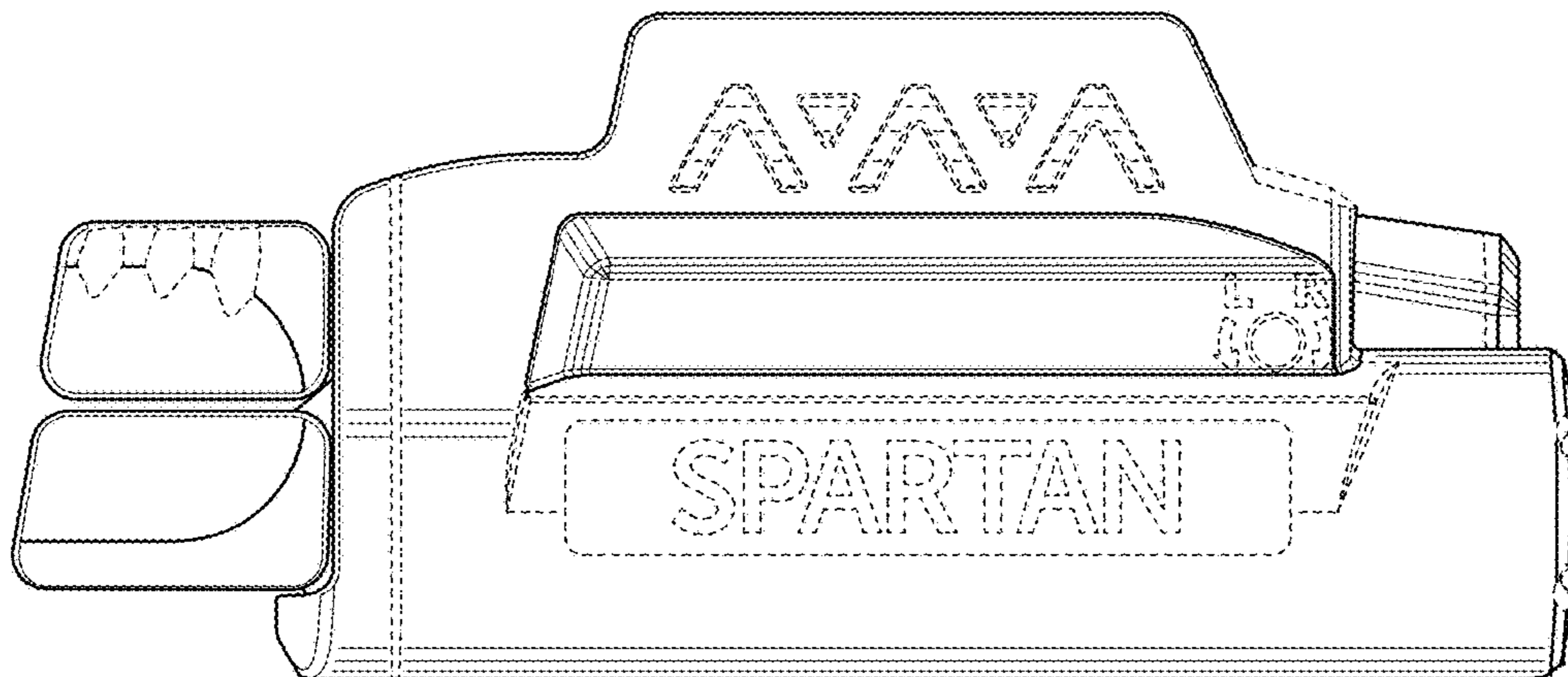


FIG. 6

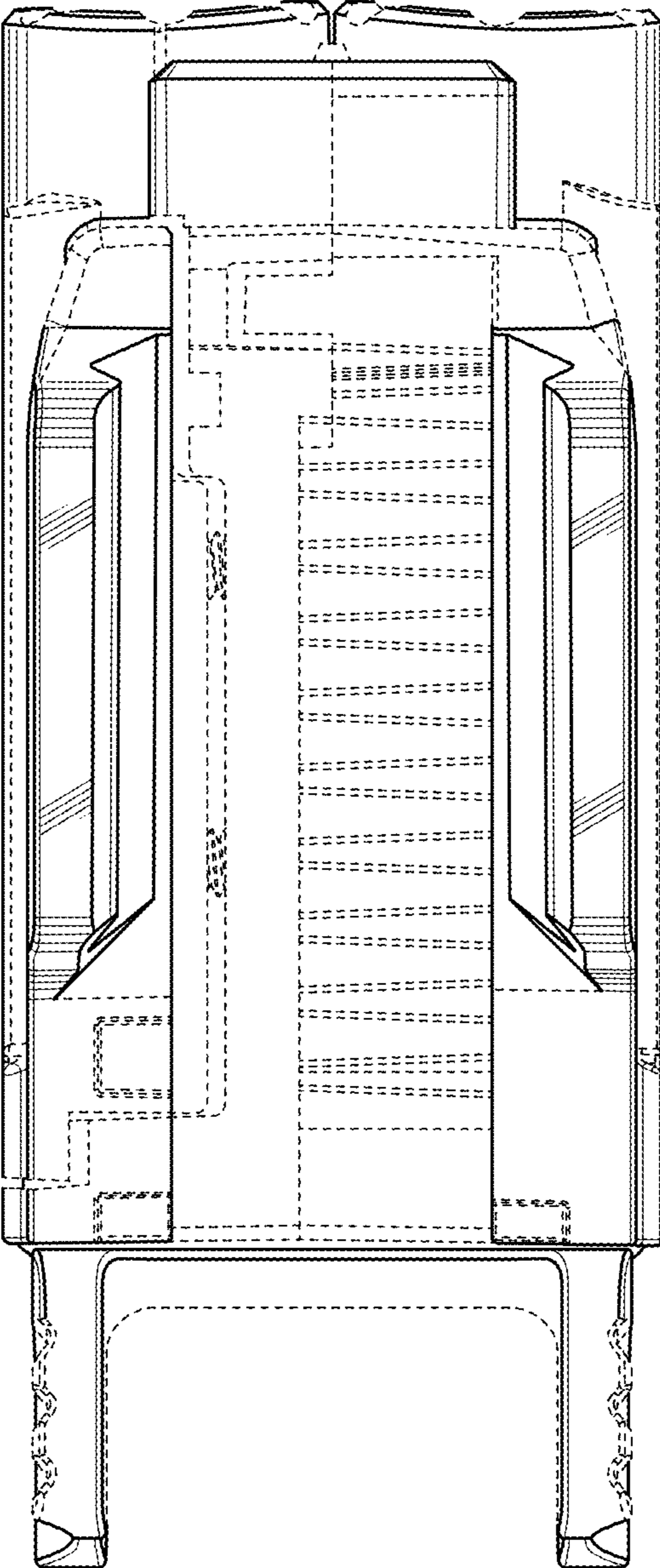


FIG. 7

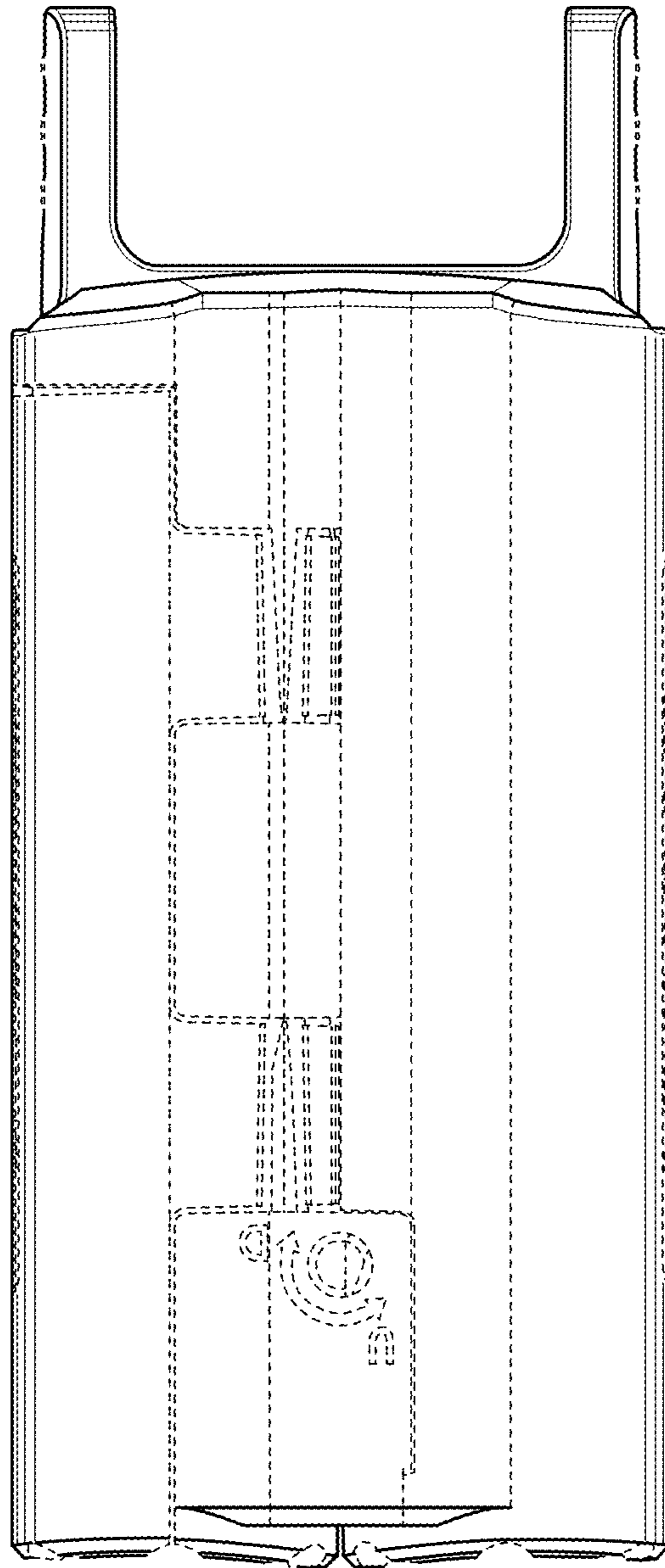


FIG. 8