



US00D830489S

(12) **United States Design Patent** (10) **Patent No.:** **US D830,489 S**  
**Cross** (45) **Date of Patent:** **\*\* Oct. 9, 2018**

(54) **CATCH**

(71) Applicant: **Wes Cross**, Escondido, CA (US)

(72) Inventor: **Wes Cross**, Escondido, CA (US)

(\*\*) Term: **15 Years**

(21) Appl. No.: **29/591,627**

(22) Filed: **Jan. 22, 2017**

(51) **LOC (11) Cl.** ..... **22-01**

(52) **U.S. Cl.**  
USPC ..... **D22/108**

(58) **Field of Classification Search**  
USPC ..... D22/100, 108, 109, 110, 199;  
33/241-252, 253, 260, 261; 42/100-102;  
D14/418; D15/11, 19, 28-32, 124-144;  
D8/16-20; 409/137, 139-140;  
D32/46-49; 299/39.2  
CPC ..... F41C 23/00; F41C 27/00; F41C 27/06;  
F41C 23/10; F41C 23/16; F41C 23/18;  
F41A 5/18; F41A 5/24; F41A 21/28;  
E01C 23/088  
See application file for complete search history.

(56) **References Cited**

**U.S. PATENT DOCUMENTS**

D347,642 S \* 6/1994 Lindberg ..... D15/139  
5,333,972 A \* 8/1994 Bernadic ..... B23B 27/141  
407/113  
D435,625 S \* 12/2000 Ling, Jr. .... D22/100  
D447,205 S \* 8/2001 Keng ..... D22/100  
D492,747 S \* 7/2004 LoRocco ..... D22/109  
6,872,034 B2 \* 3/2005 Satran ..... B23C 5/2213  
407/103  
D512,118 S \* 11/2005 Warren ..... D22/109  
D560,744 S \* 1/2008 Warren ..... D22/108  
D579,470 S \* 10/2008 Maeta ..... D15/139  
D585,467 S \* 1/2009 Takanashi ..... D15/139

D637,214 S \* 5/2011 Saito ..... D15/139  
D638,902 S \* 5/2011 Emde ..... D22/109  
D662,170 S \* 6/2012 Keng ..... D22/109  
D667,523 S \* 9/2012 Glimpse ..... D22/109  
8,359,966 B1 \* 1/2013 Brotherton ..... F41A 17/36  
42/70.02  
D705,281 S \* 5/2014 Heinasenaho ..... D15/139  
D715,341 S \* 10/2014 Schell ..... D15/139  
D719,988 S \* 12/2014 Runquist ..... D15/123  
D739,913 S \* 9/2015 Nevils ..... D22/109  
D745,065 S \* 12/2015 Losen ..... D15/32  
D745,574 S \* 12/2015 Losen ..... D15/32  
D760,862 S \* 7/2016 Wang ..... D22/108  
D760,863 S \* 7/2016 Wallgren ..... D22/109

(Continued)

**OTHER PUBLICATIONS**

AR-15 Cerakote Bolt Catch, RepublicFirearmsStore.com, [online],  
[site visited Jun. 5, 2018]. <URL: <http://www.republicfirearmsstore.com/product-p/rf15bcc.htm>> (Year: 2018).\*

(Continued)

*Primary Examiner* — T Chase Nelson  
*Assistant Examiner* — Jonathan J. Han  
(74) *Attorney, Agent, or Firm* — Eric Hanscom

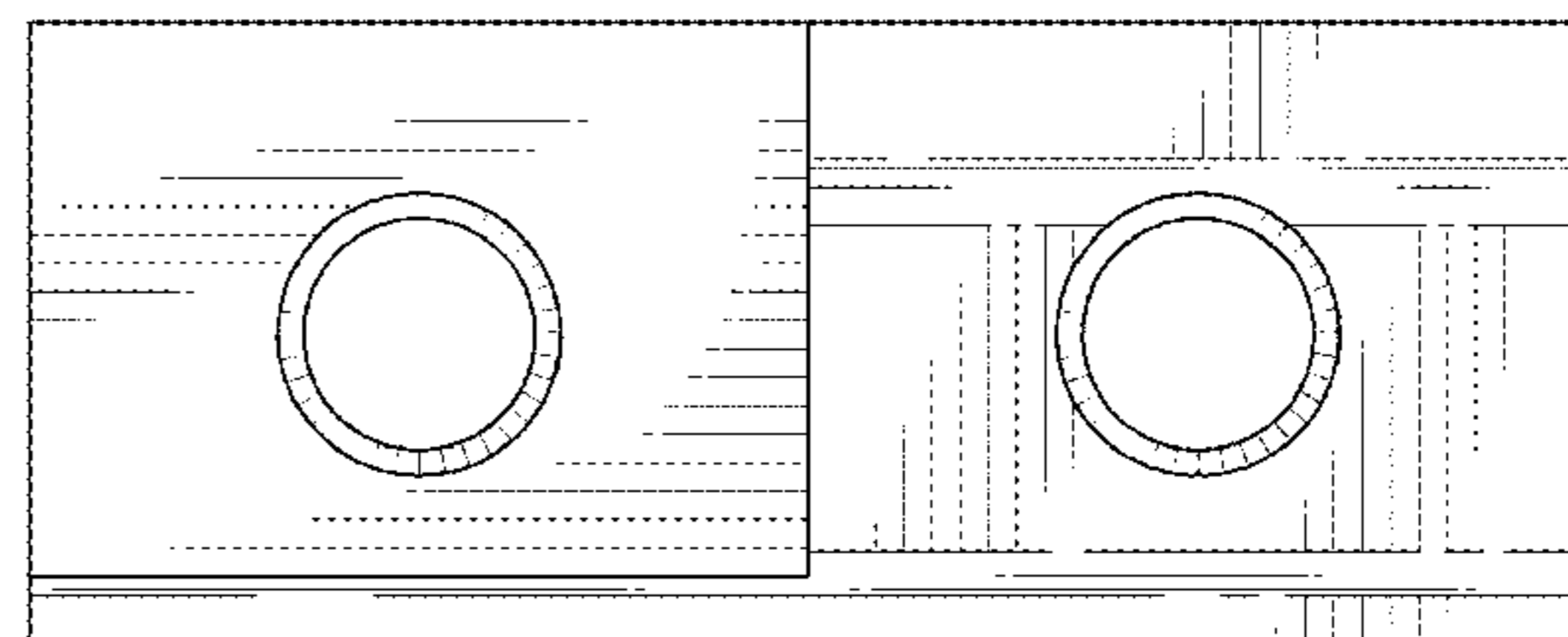
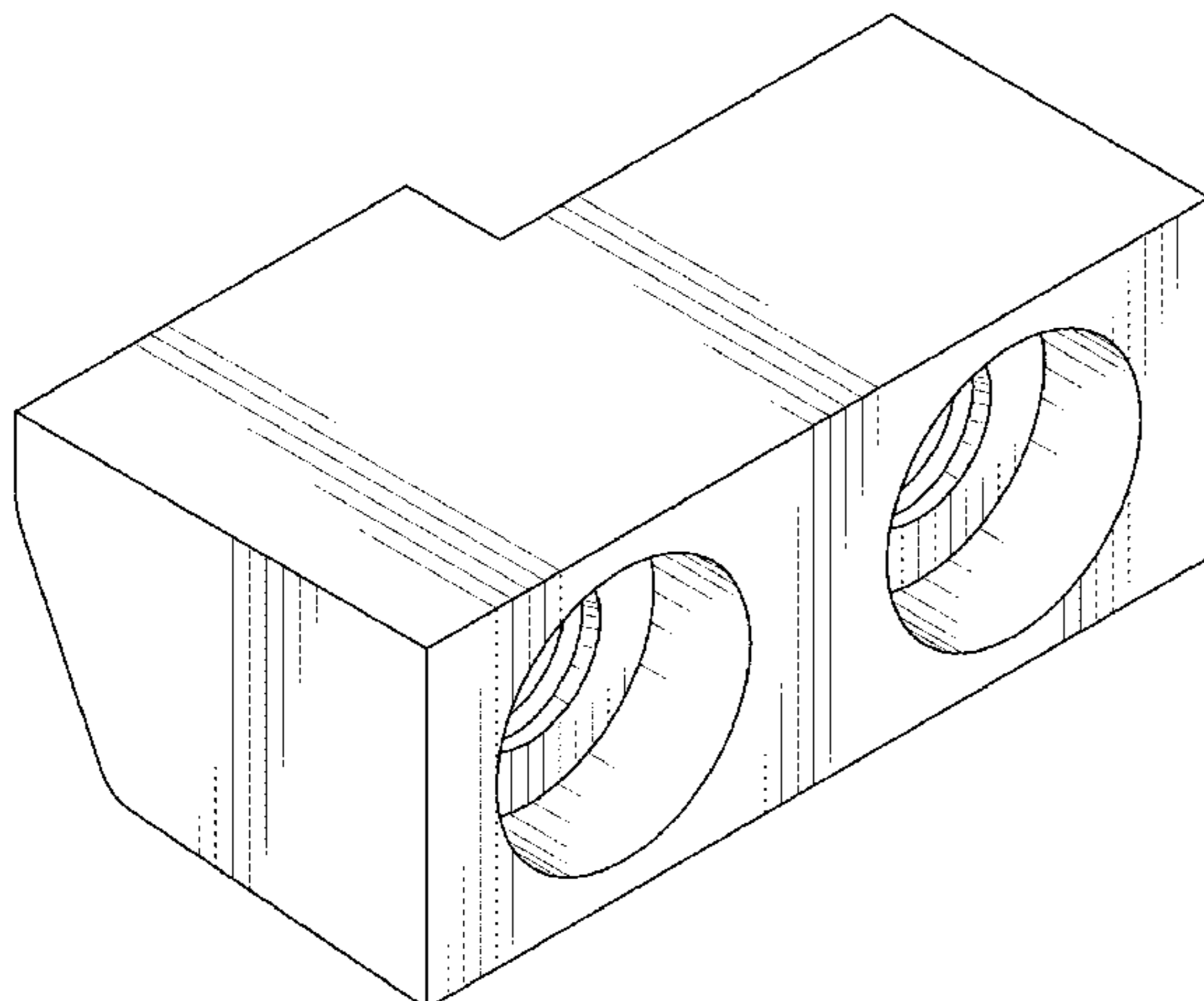
(57) **CLAIM**

The ornamental design for a catch, as shown and described.

**DESCRIPTION**

FIG. 1 is a perspective view of a catch showing my new design;  
FIG. 2 is a front view thereof;  
FIG. 3 is a back view thereof;  
FIG. 4 is a left-side view thereof;  
FIG. 5 is a right-side view thereof;  
FIG. 6 is a top view thereof; and,  
FIG. 7 is a bottom view thereof.

**1 Claim, 4 Drawing Sheets**



(56)

**References Cited**

## U.S. PATENT DOCUMENTS

D770,589 S \* 11/2016 Underwood ..... F41A 9/59  
D22/108  
9,599,419 B2 \* 3/2017 McGinty ..... F41A 35/06  
D786,324 S \* 5/2017 Koskinen ..... D15/139  
9,651,328 B1 \* 5/2017 Oglesby ..... F41A 17/42  
9,714,811 B2 \* 7/2017 Pulit, Jr. .... F41G 1/26  
D794,101 S \* 8/2017 Ryu ..... D15/139  
D797,878 S \* 9/2017 Wang ..... D22/108  
9,958,223 B1 \* 5/2018 McGinty ..... F41A 3/42

## OTHER PUBLICATIONS

AR15 Extended Bolt Catch & Release Lever, 15sports.com, [online], [site visited Jun. 5, 2018]. <URL: <https://15sports.com/Lower-Parts/ar15-extended-bolt-catch-release-lever>> (Year: 2018).\*

VZ-58 Magazine Catch, ApexGunParts.com, [online], [site visited Jun. 5, 2018]. <URL: <https://www.apexgunparts.com/rifles/vz-58/magazine-catch-vz58.html>> (Year: 2018).\*

Guntec USA AR-15 Extended Mag Catch Paddle Release, PrimaryArms.com, [online], [site visited Jun. 5, 2018]. <URL: <http://www.primaryarms.com/guntec-usa-extended-ar15-magazine-catch-black-ext-mc>> (Year: 2018).\*

\* cited by examiner

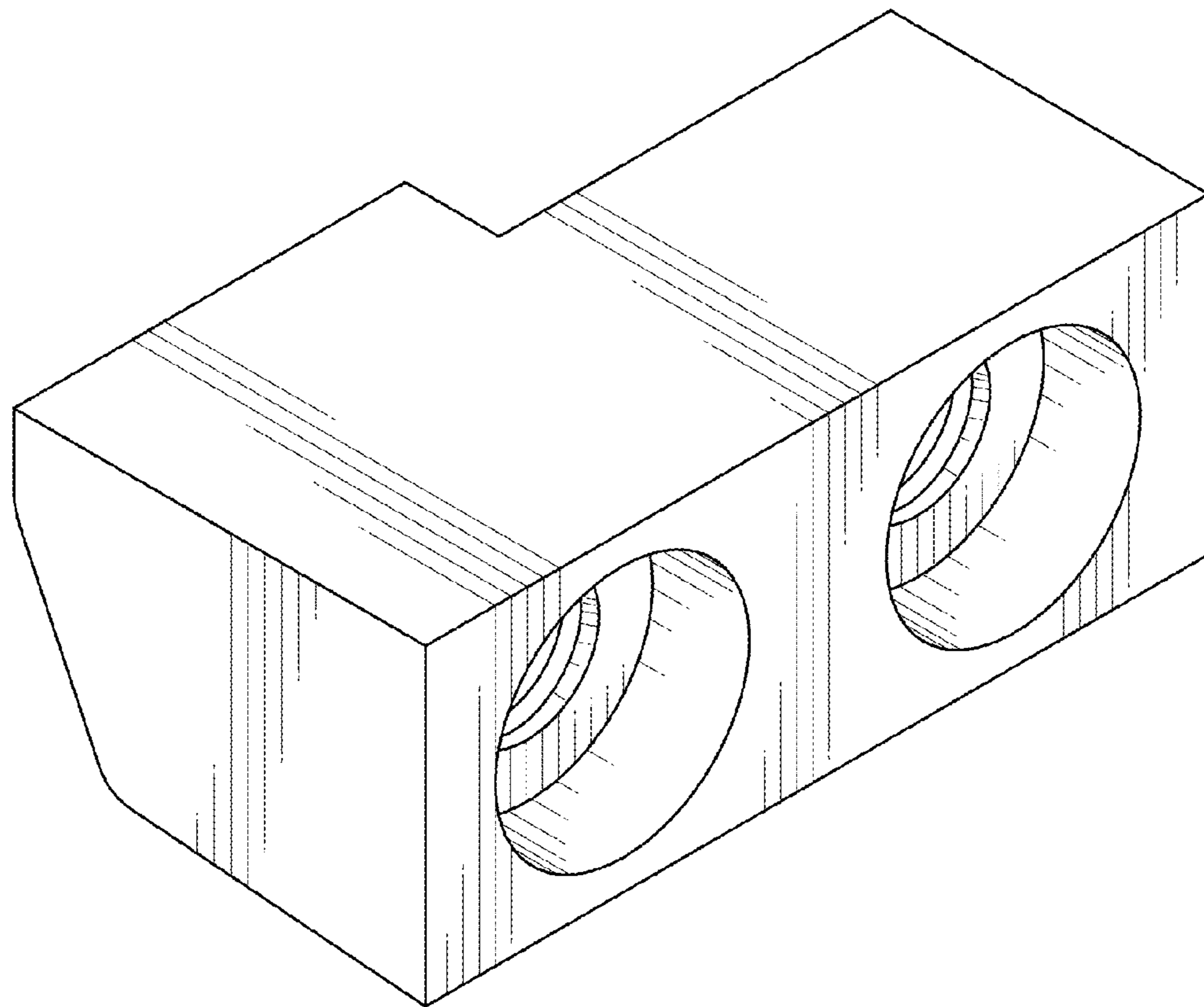


FIG. 1

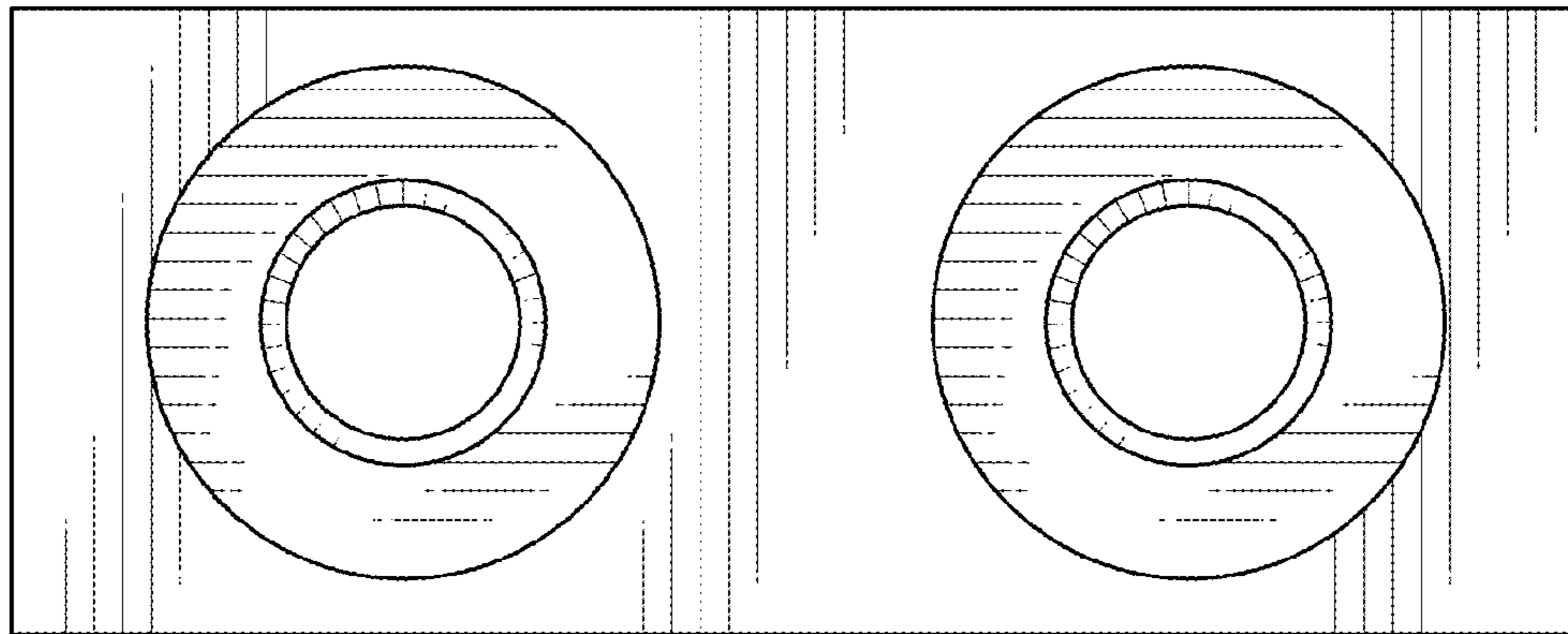


FIG. 2

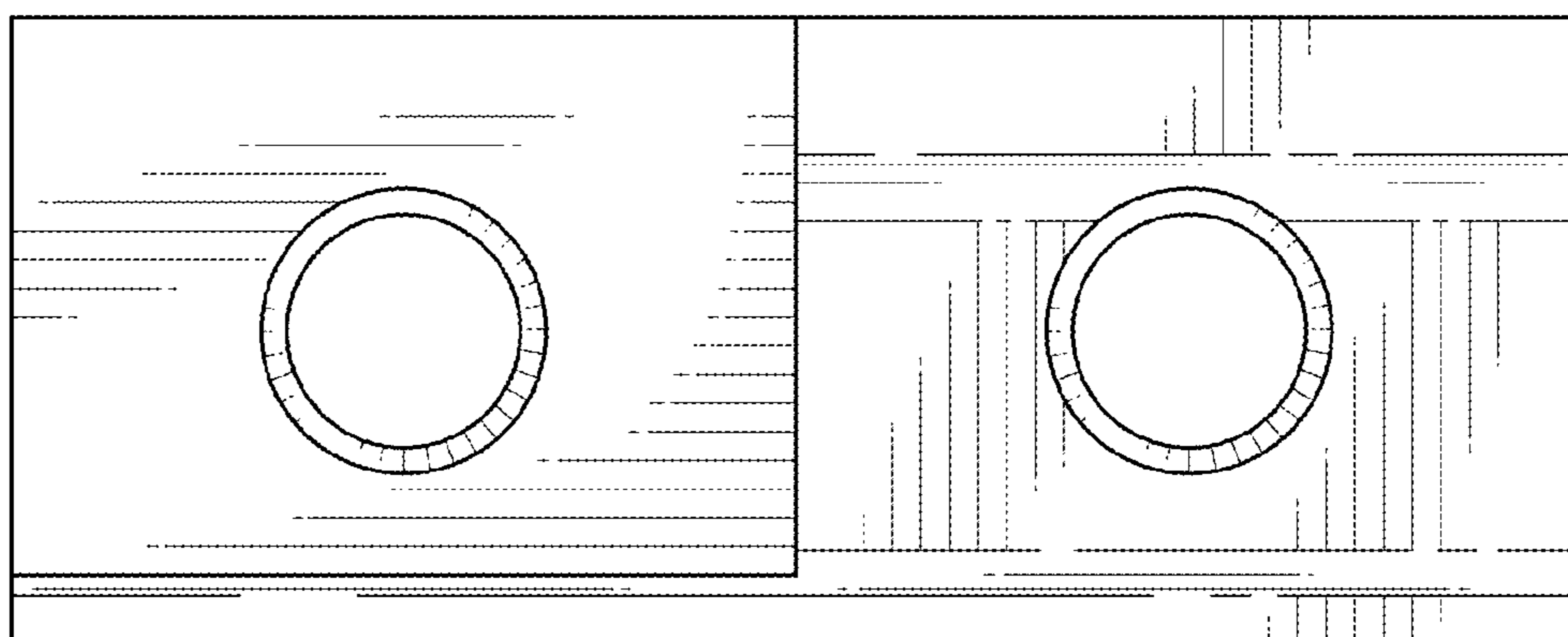


FIG. 3

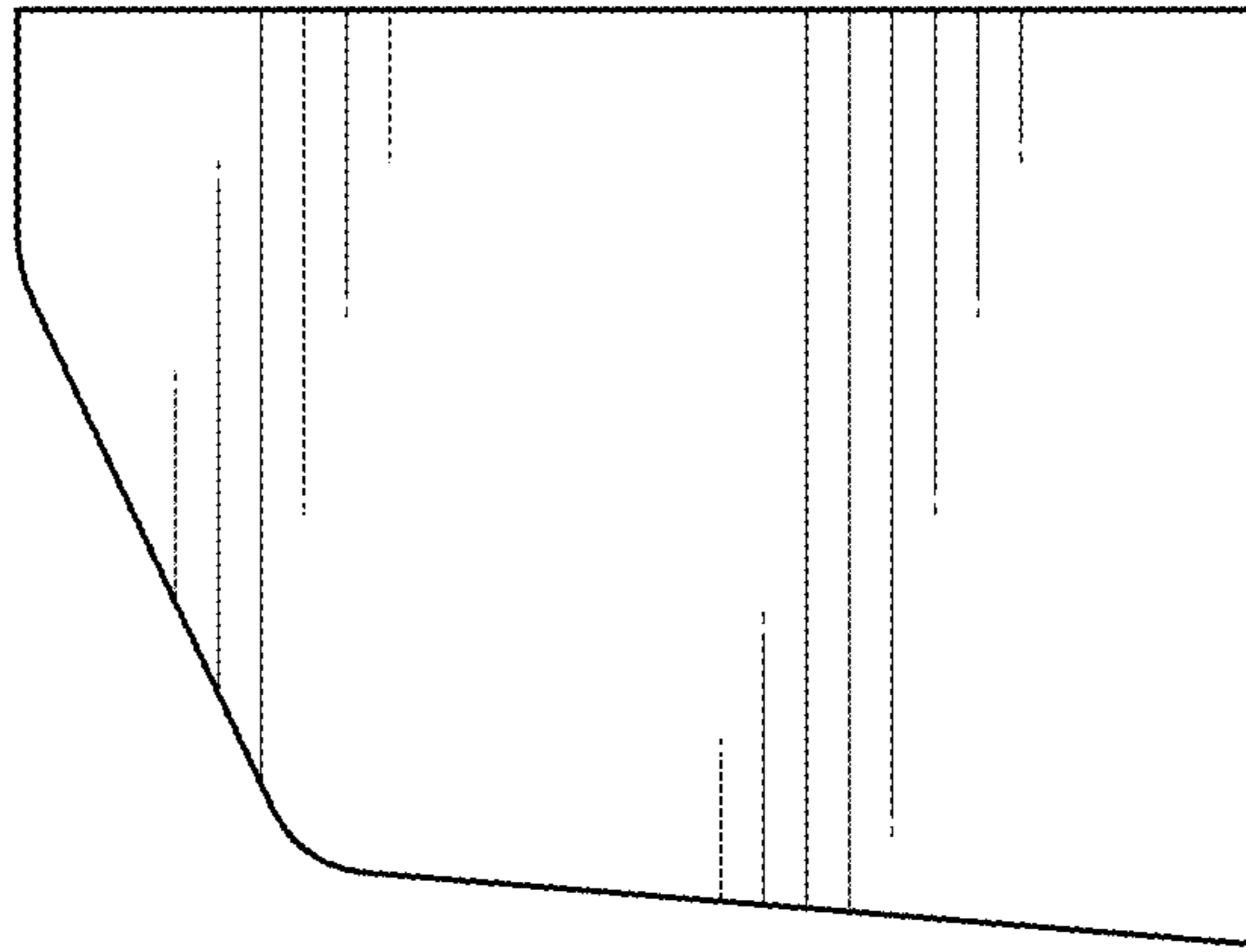


FIG. 4

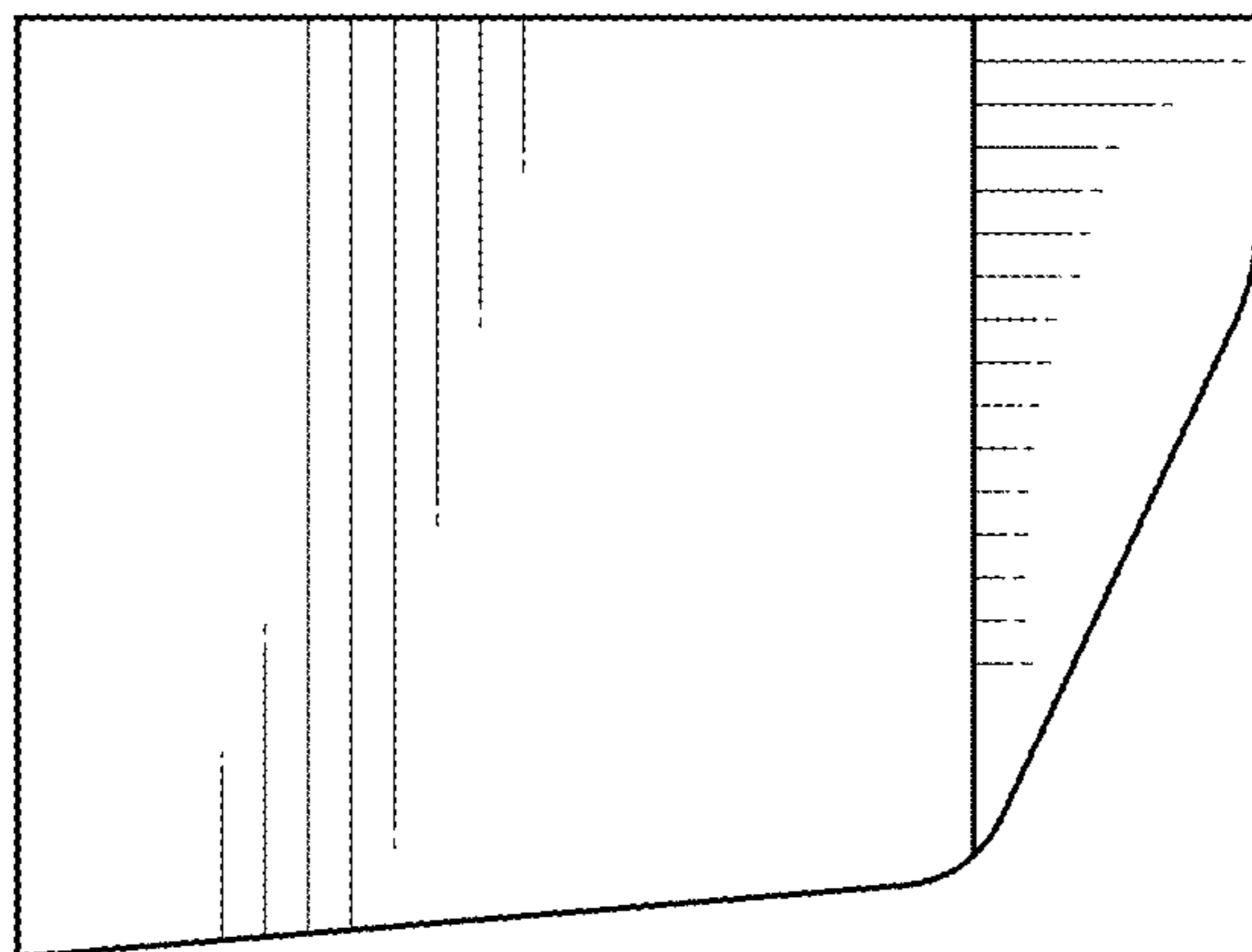


FIG. 5

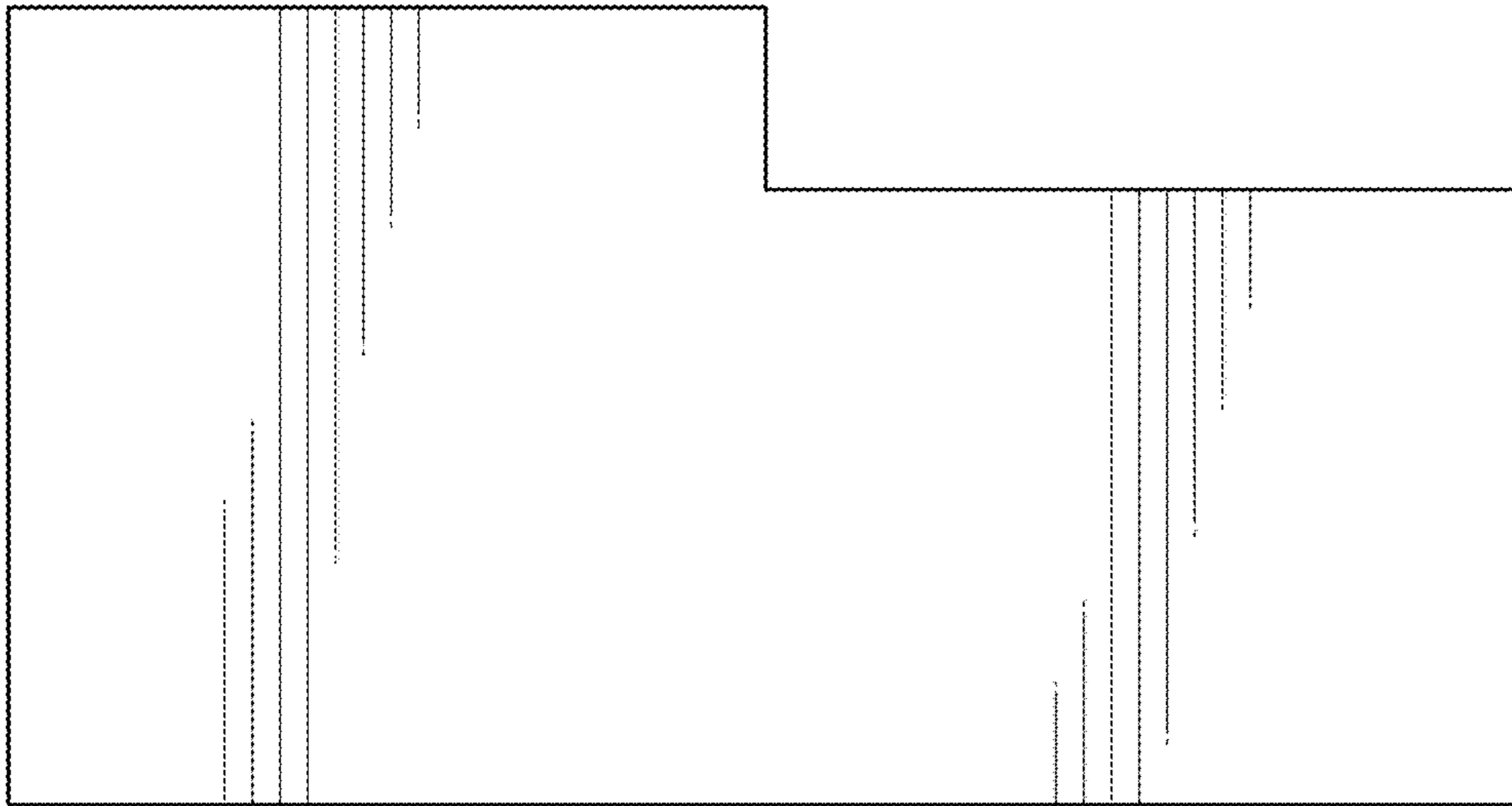


FIG. 6

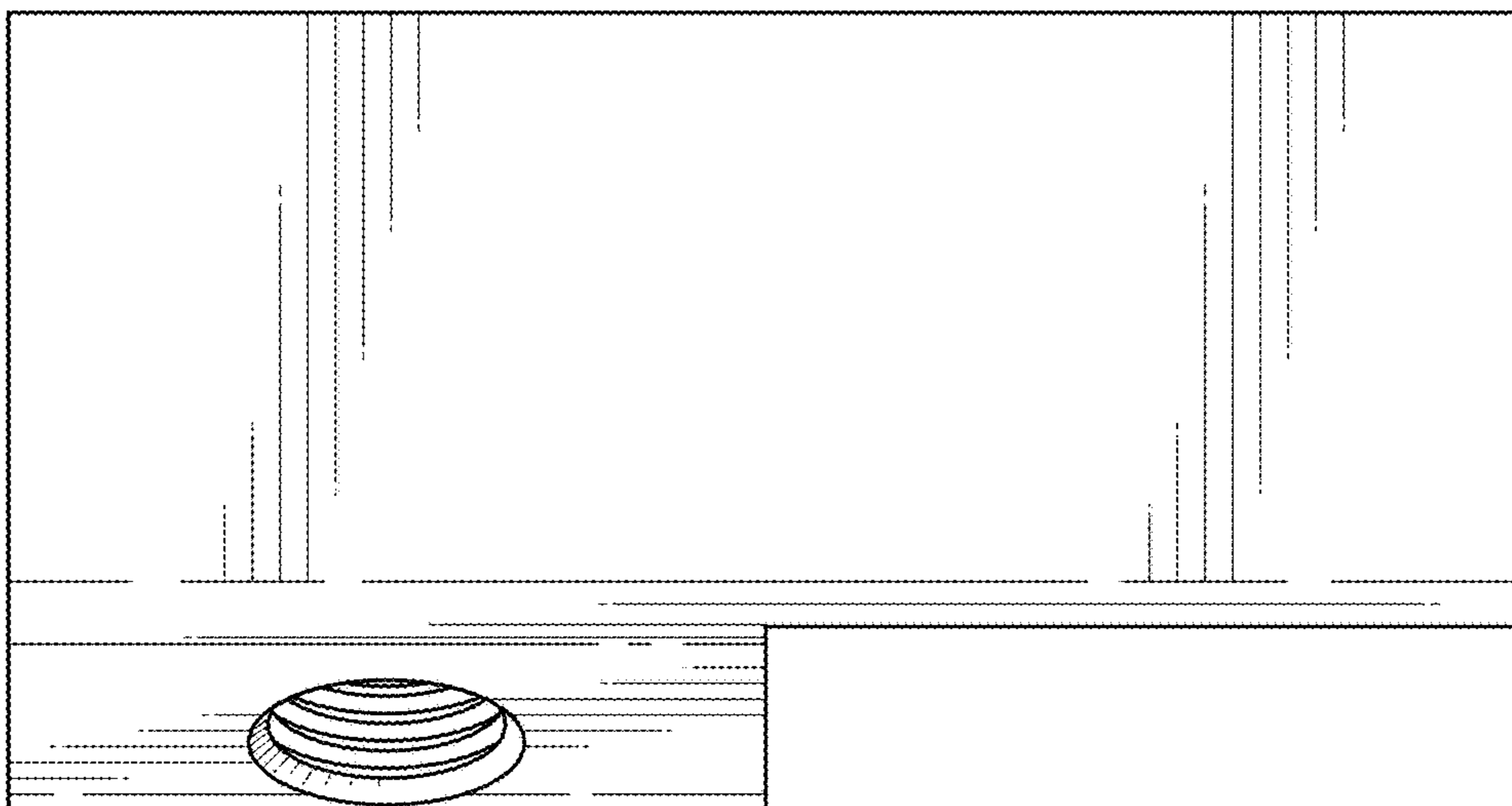


FIG. 7