



US00D830488S

(12) **United States Design Patent**
Johnson et al.

(10) **Patent No.:** **US D830,488 S**
(45) **Date of Patent:** **** Oct. 9, 2018**

(54) **OBJECT SLINGING DEVICE**

9,303,794 B2 * 4/2016 Pirtle F16L 1/028

(71) Applicants: **Robert B. Johnson**, Palm Beach Gardens, FL (US); **Christopher S. Baldwin**, Jupiter, FL (US)

* cited by examiner

Primary Examiner — Michael Aaron Pratt
(74) *Attorney, Agent, or Firm* — McHale & Slavin, P.A.

(72) Inventors: **Robert B. Johnson**, Palm Beach Gardens, FL (US); **Christopher S. Baldwin**, Jupiter, FL (US)

(57) **CLAIM**

(**) Term: **15 Years**

The ornamental design for a object slinging device, as shown and described.

(21) Appl. No.: **29/574,578**

(22) Filed: **Aug. 17, 2016**

DESCRIPTION

(51) **LOC (11) Cl.** **22-01**

(52) **U.S. Cl.**
USPC **D22/106**

(58) **Field of Classification Search**
USPC D34/28, 33, 35; D22/106, 108;
D21/301; D8/349, 356, 367, 372, 395
CPC A63H 33/18; F41B 3/02; F41B 3/00
See application file for complete search history.

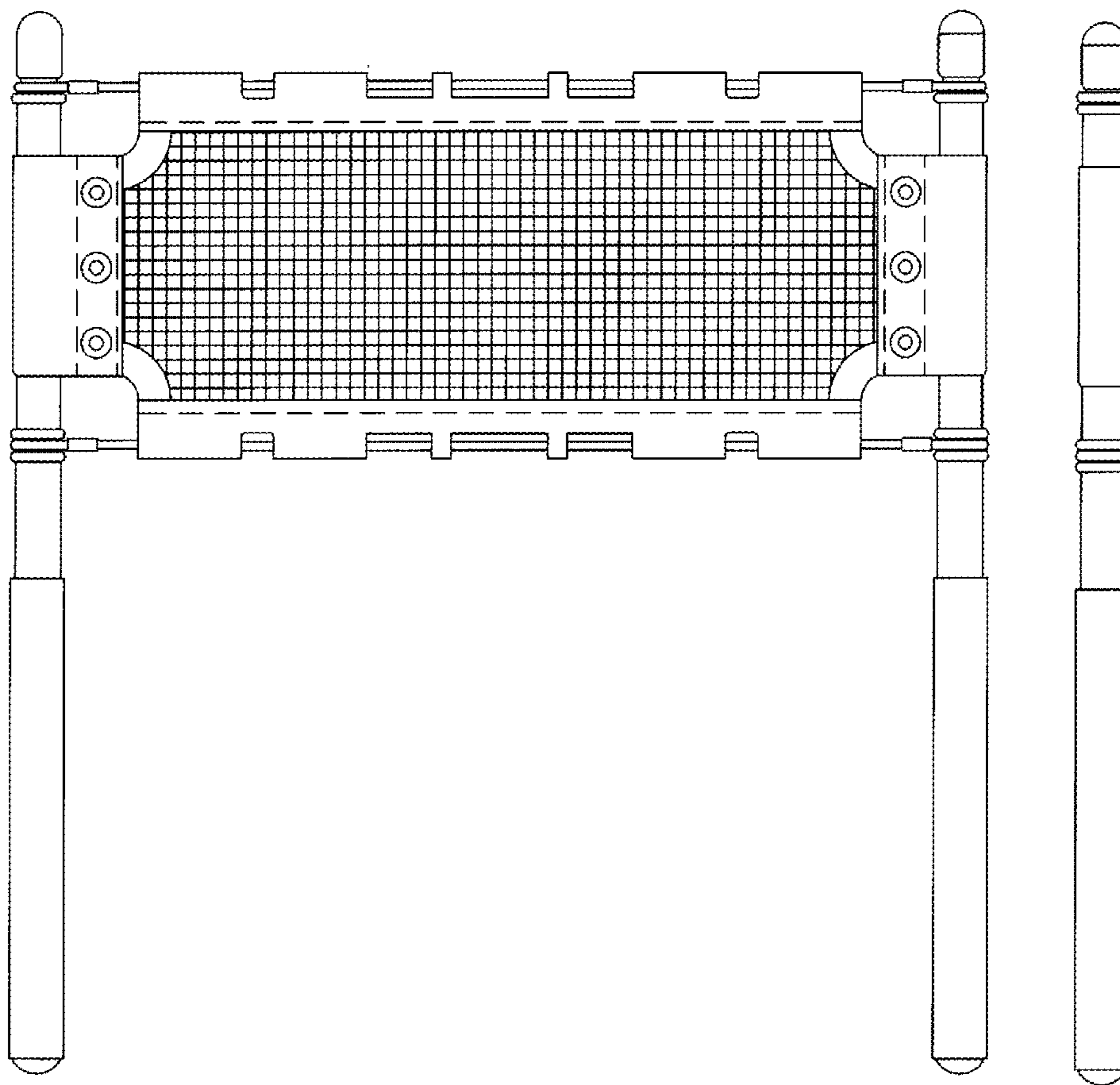
FIG. 1 is a perspective view of the object slinging device of the instant invention;
FIG. 2 is a front view thereof, a back view forming a mirror image of the front view, not shown;
FIG. 3 is a left side view thereof, a right side view forming a mirror image of the left side view, not shown;
FIG. 4 is a top view thereof; and,
FIG. 5 is a bottom view thereof.
The broken line showing in FIGS. 1 and 2 is for the purpose of illustrating portions of the object slinging device that forms no part of the claimed design.

(56) **References Cited**

U.S. PATENT DOCUMENTS

D362,327 S * 9/1995 Nelson D34/28

1 Claim, 4 Drawing Sheets



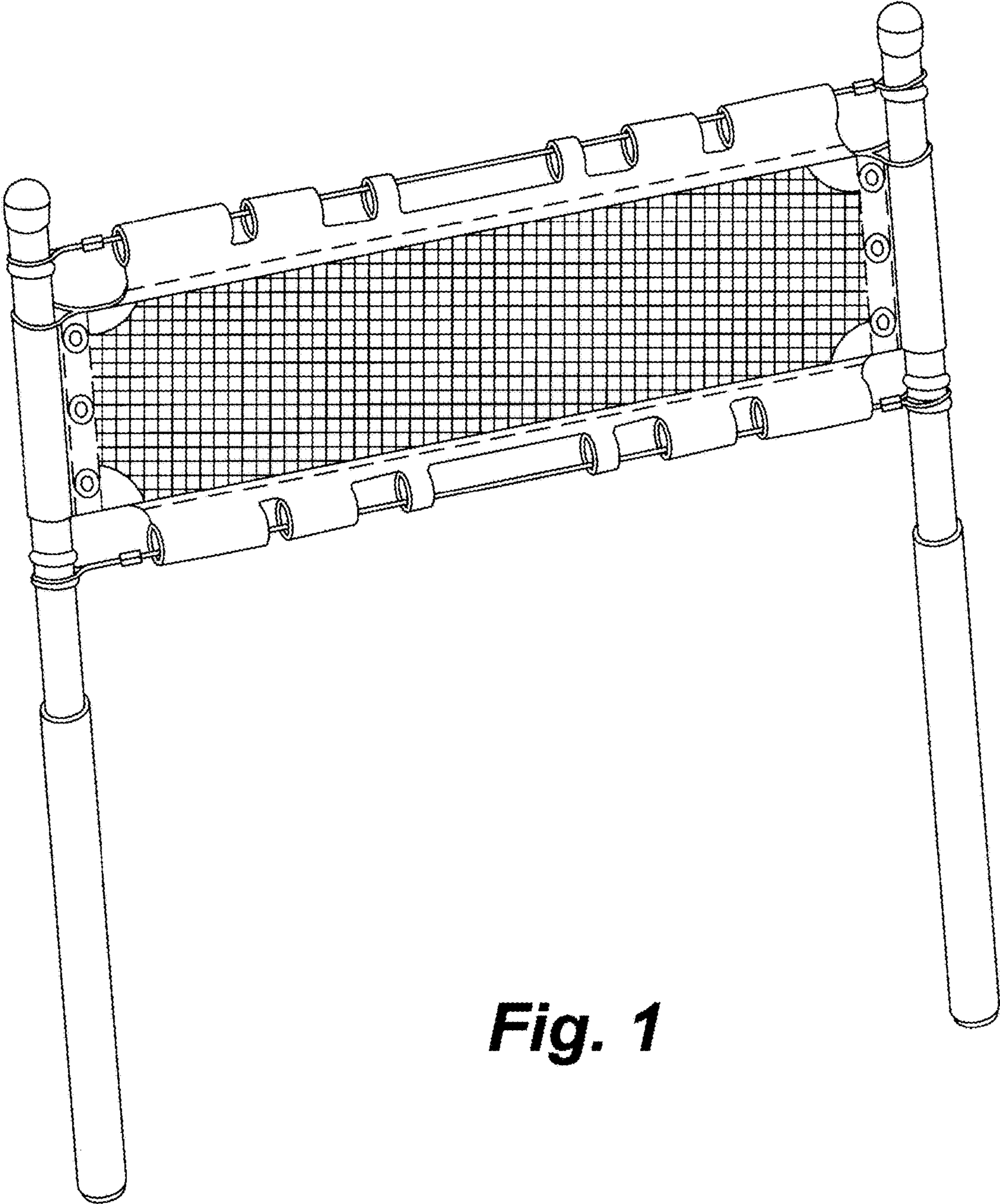


Fig. 1

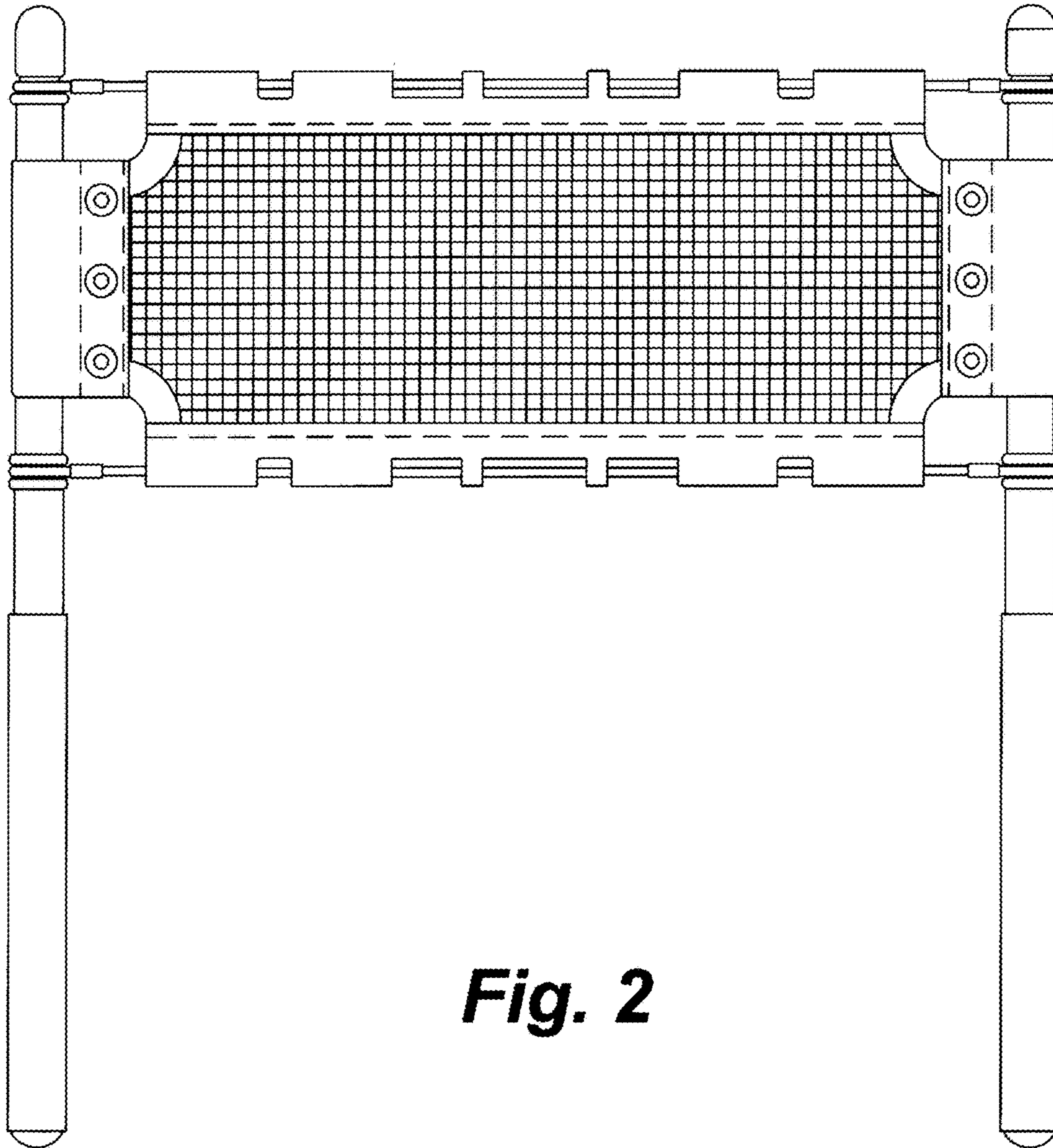


Fig. 2

Fig. 3



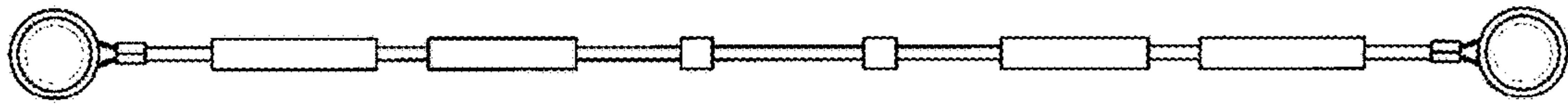


Fig. 4

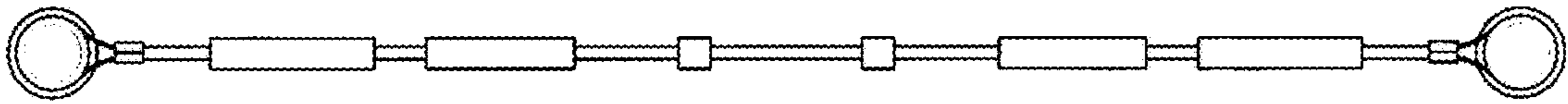


Fig. 5