



US00D830487S

(12) **United States Design Patent** (10) **Patent No.:** **US D830,487 S**
Barrett et al. (45) **Date of Patent:** **** Oct. 9, 2018**

(54) **INFLATABLE DEVICE**
(71) Applicant: **FUNBOY, LLC**, Seattle, WA (US)
(72) Inventors: **Blake Miller Barrett**, Seattle, WA (US); **Maxwell Page Barrett**, Seattle, WA (US)
(73) Assignee: **FUNBOY, LLC**, Seattle, WA (US)
(**) Term: **15 Years**
(21) Appl. No.: **29/597,896**
(22) Filed: **Mar. 21, 2017**
(51) **LOC (11) Cl.** **21-02**
(52) **U.S. Cl.**
USPC **D21/808**
(58) **Field of Classification Search**
USPC D21/769, 770, 801, 803, 804, 805, 806, D21/807, 808, 809; D12/5, 6, 316; D6/392, 395, 596, 601, 604, 605
CPC B63B 35/79; B63B 35/73; B63B 1/00; B63B 35/76
See application file for complete search history.

(56) **References Cited**
U.S. PATENT DOCUMENTS
D352,830 S * 11/1994 Wolff D4/124
D427,270 S * 6/2000 Harwell, IV D21/806
D446,568 S * 8/2001 Peterson D21/803
D731,002 S * 6/2015 Phillips D21/599
D800,861 S * 10/2017 Hsu D21/808

OTHER PUBLICATIONS
<https://www.youtube.com/watch?v=dnxiYkF1xr4>—Published Jun. 6, 2017.*

* cited by examiner

Primary Examiner — Manpreet S Matharu
Assistant Examiner — Mojtaba Tehrani
(74) *Attorney, Agent, or Firm* — Lee & Hayes, PLLC

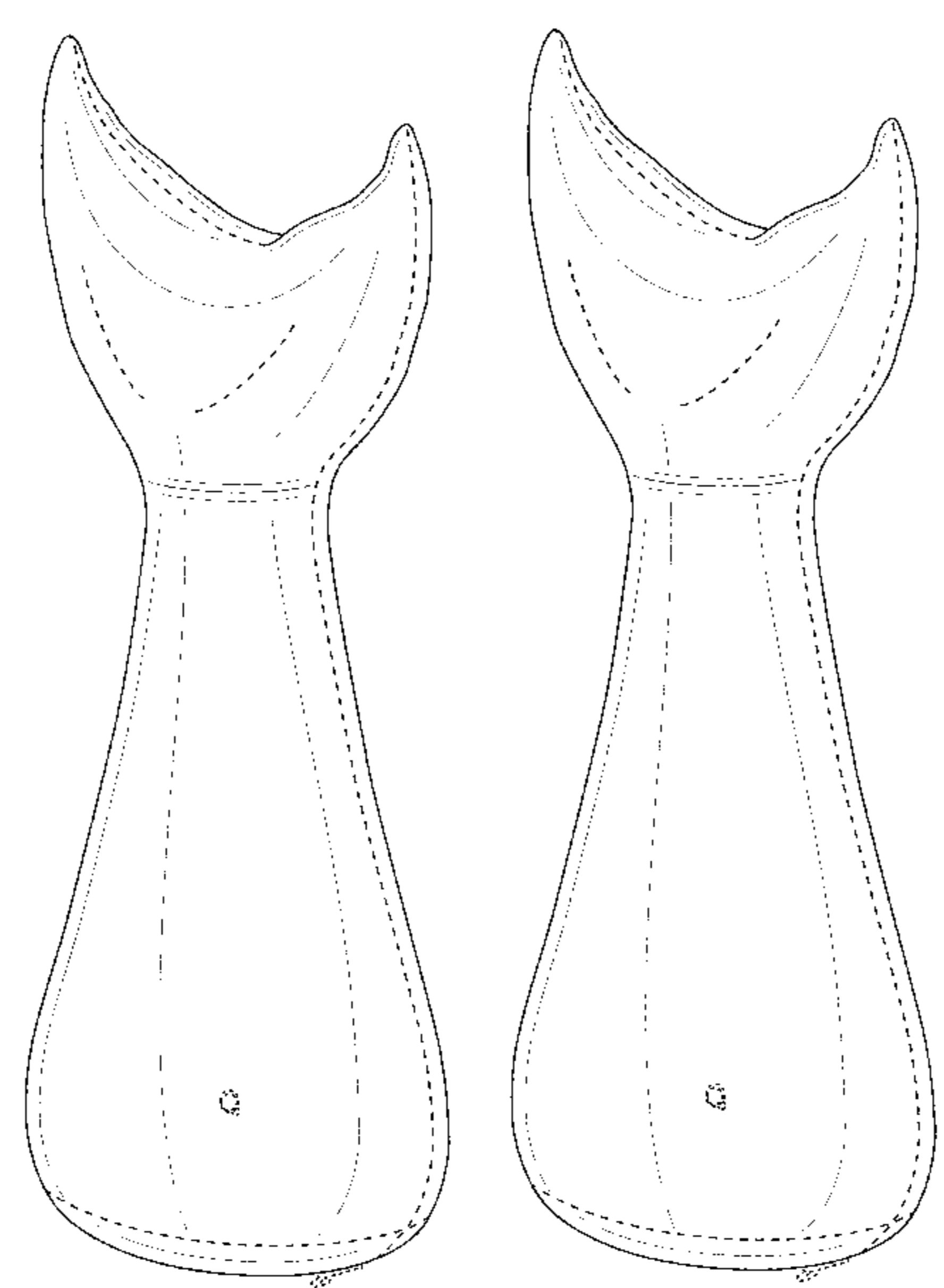
(57) **CLAIM**

The ornamental design for an inflatable device, as shown and described.

DESCRIPTION

FIG. 1 is a front perspective view of a first embodiment of an inflatable device, showing our new design; FIG. 2 is a rear perspective view thereof; FIG. 3 is a rear view thereof; FIG. 4 is a front view thereof; FIG. 5 is a right-side view thereof; FIG. 6 is a left-side view thereof; FIG. 7 is a top view thereof; FIG. 8 is a bottom view thereof; FIG. 9 is a front perspective view of a second embodiment of an inflatable device; FIG. 10 is a rear perspective view thereof; FIG. 11 is a rear view thereof; FIG. 12 is a front view thereof; FIG. 13 is a right-side view thereof; FIG. 14 is a left-side view thereof; FIG. 15 is a top view thereof; and, FIG. 16 is a bottom view thereof. The dashed broken lines represent features of the inflatable device which form no part of the claimed design. The dot-dashed broken lines represent boundaries of the claimed inflatable device and form no part of the claimed design.

1 Claim, 16 Drawing Sheets



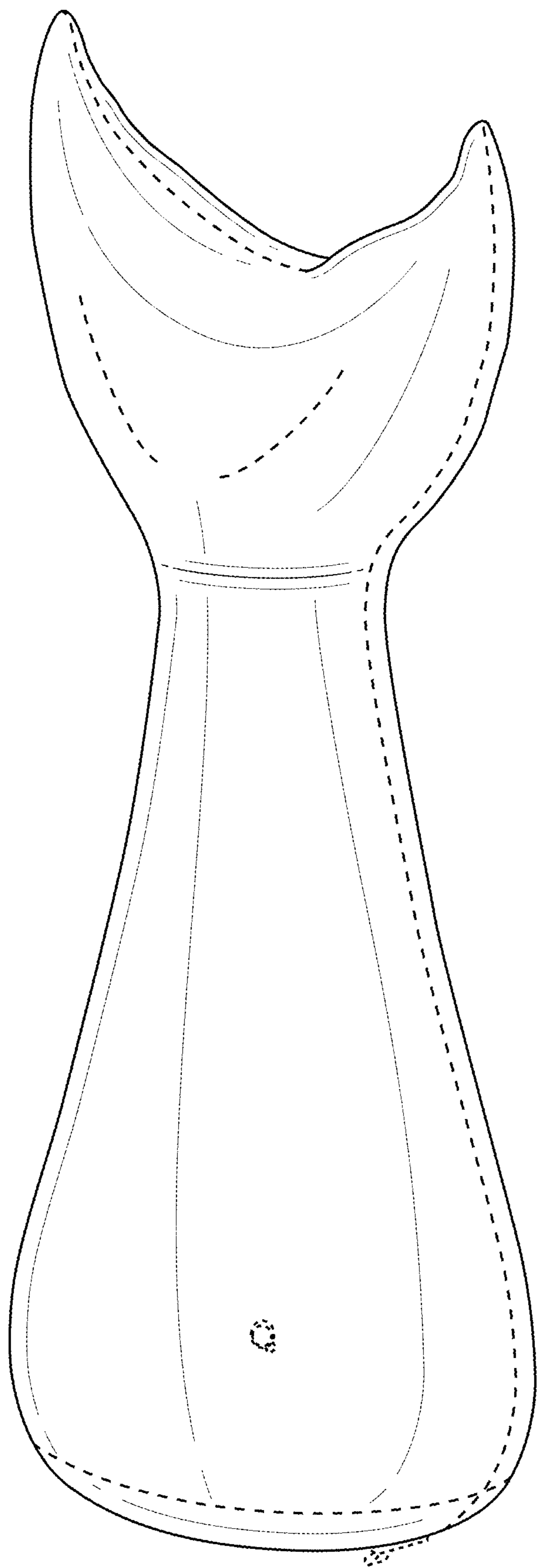


FIG. 1

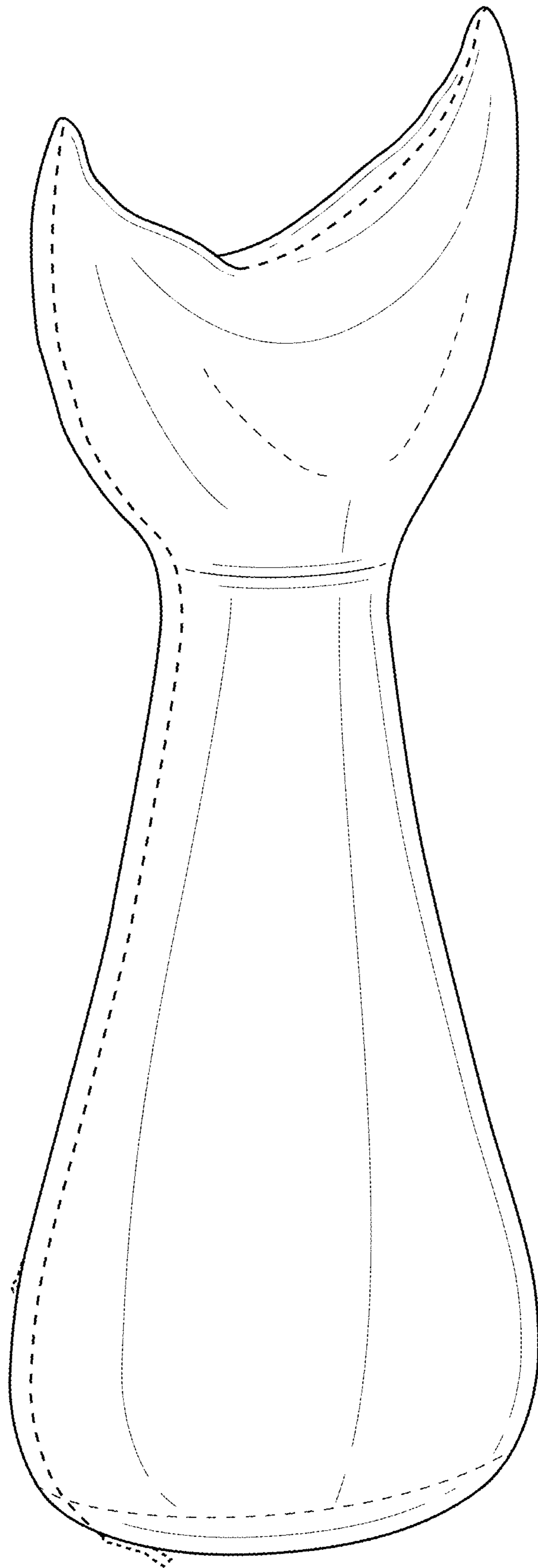


FIG. 2

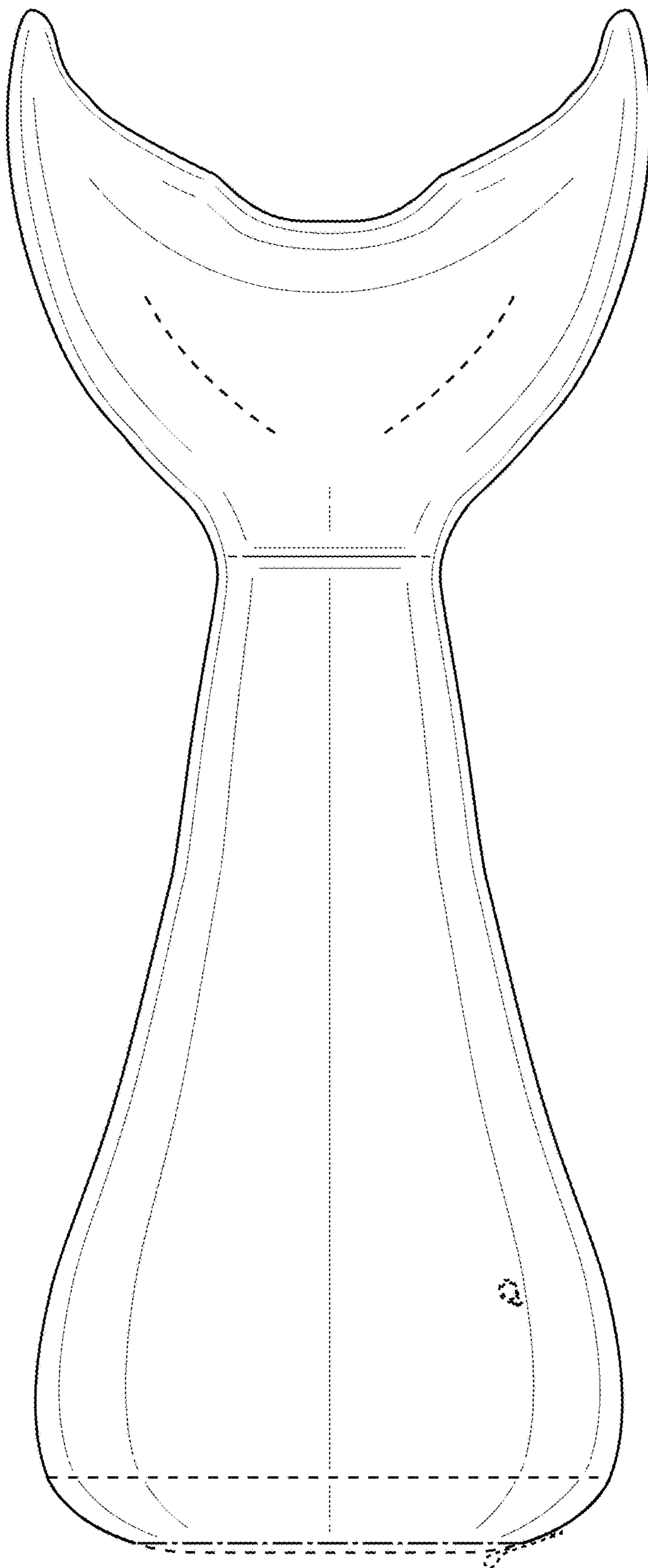


FIG. 3

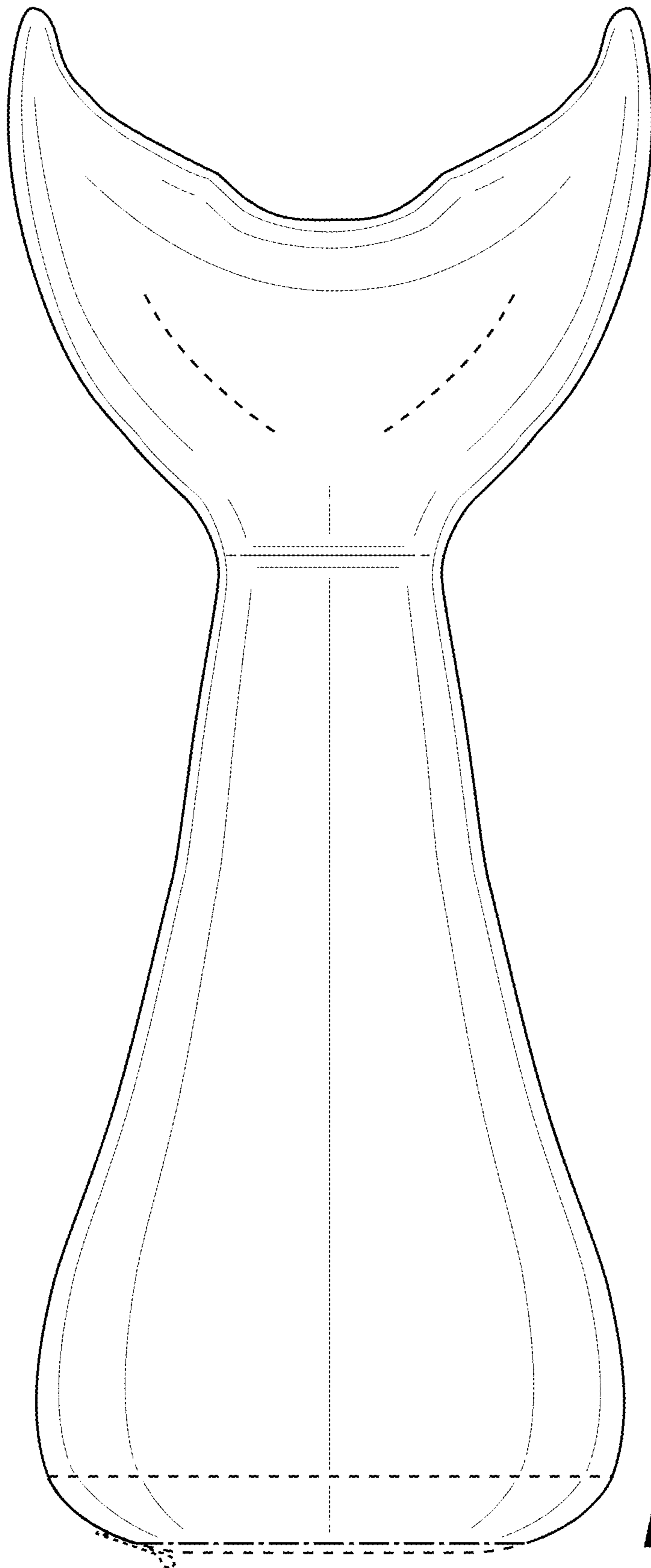


FIG. 4

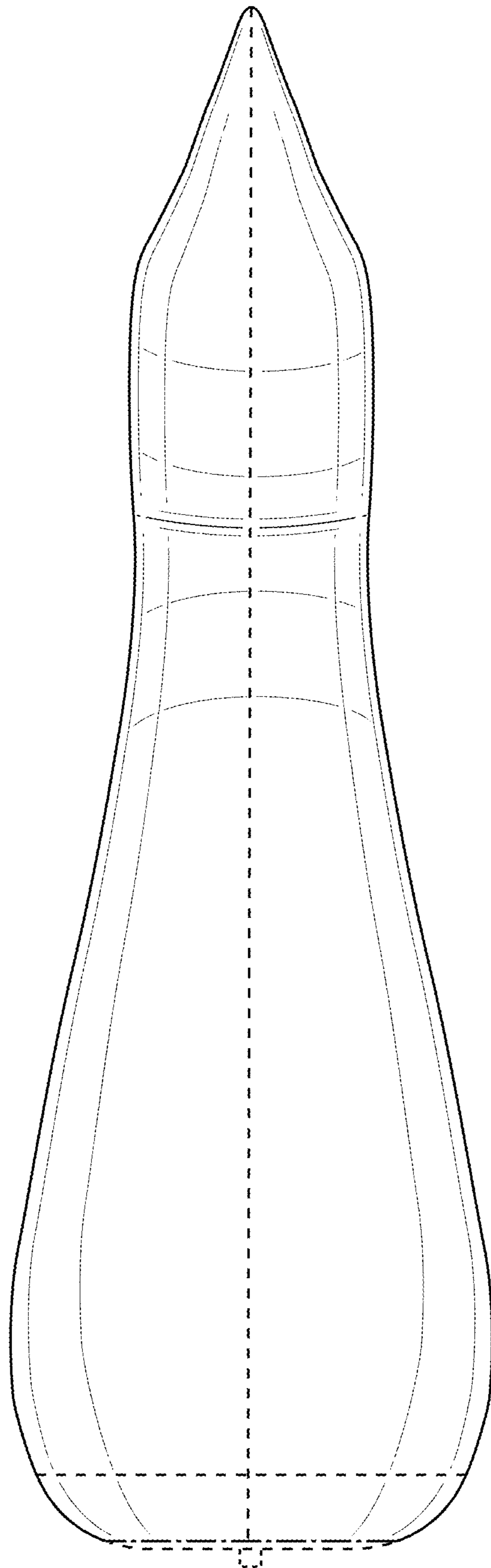


FIG. 5

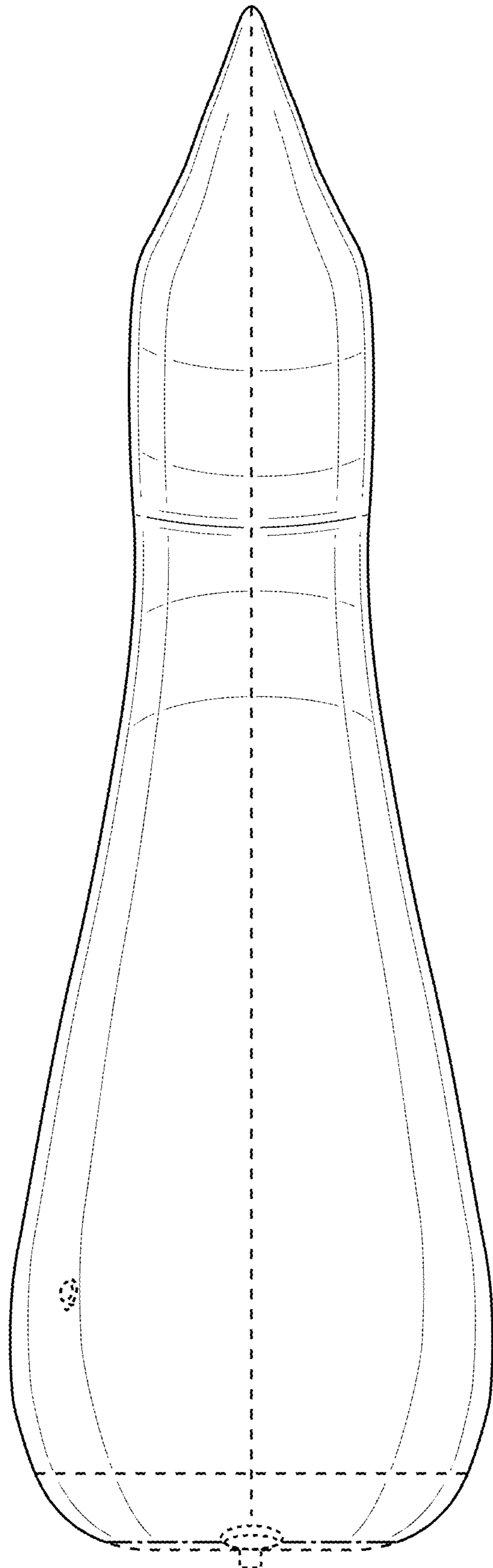


FIG. 6

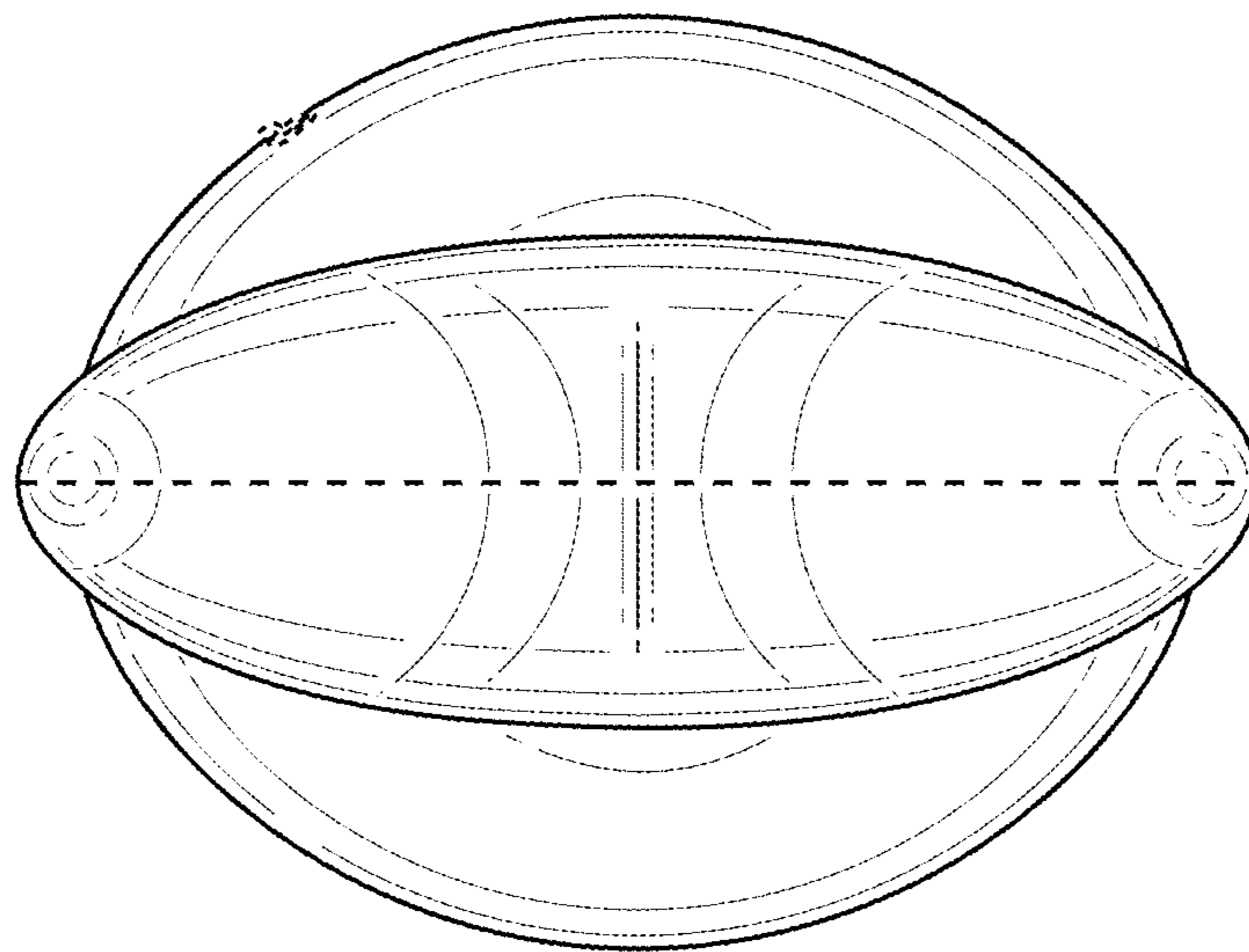


FIG. 7

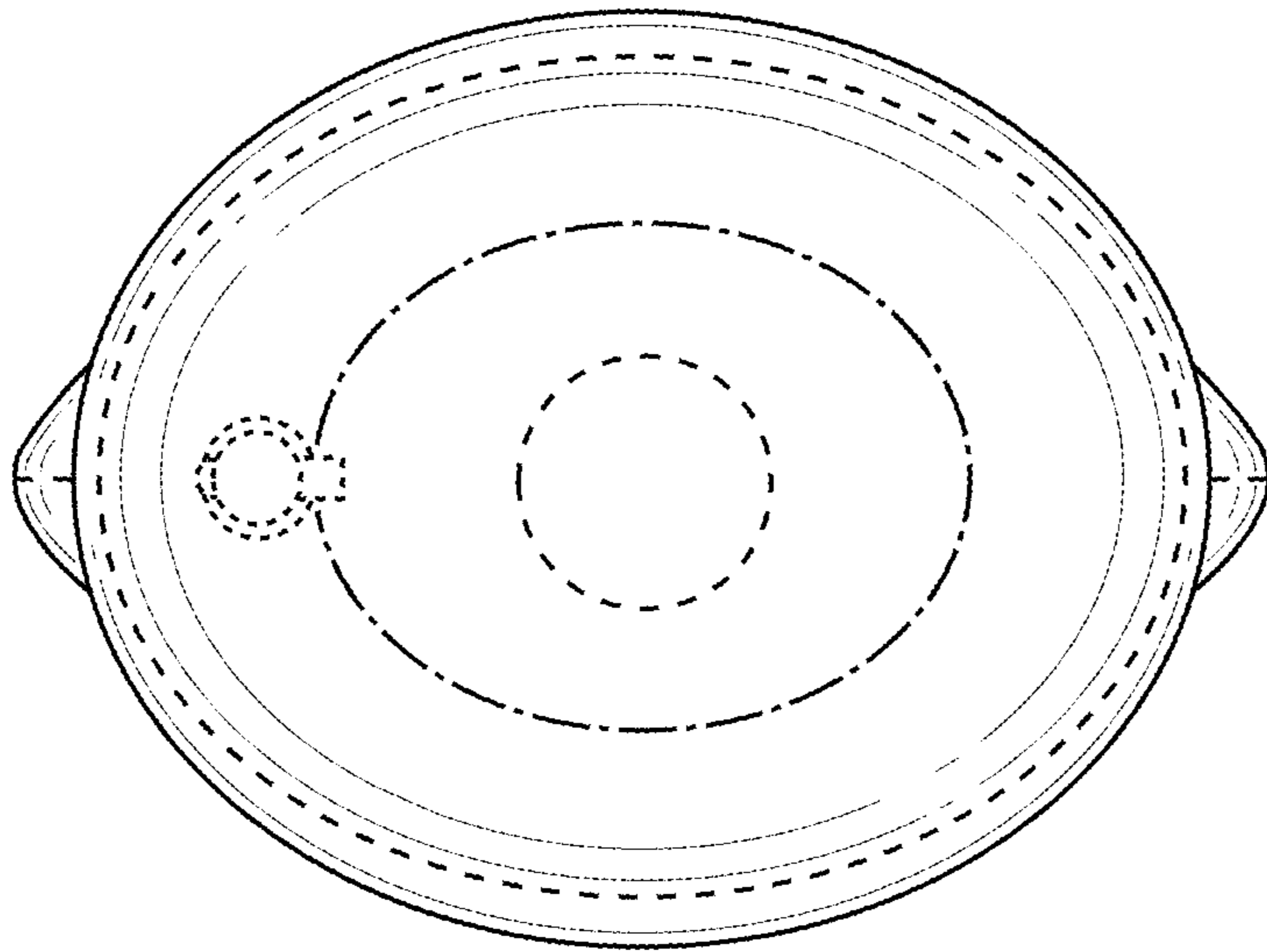


FIG. 8

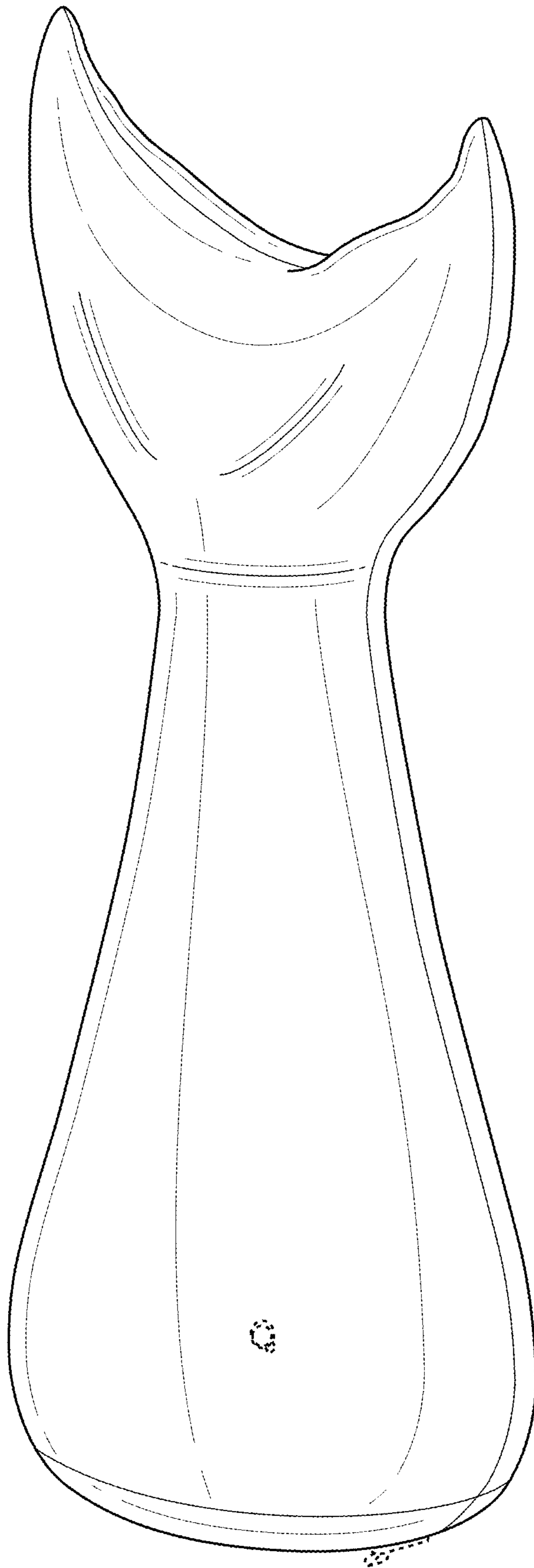


FIG. 9

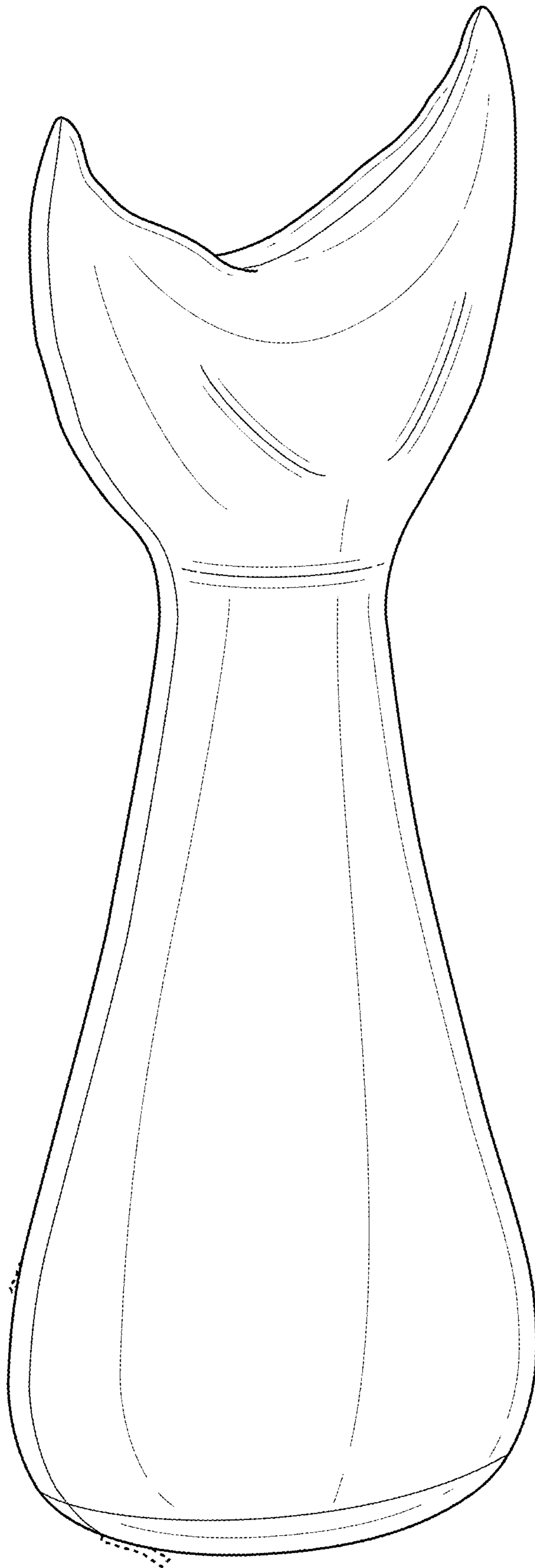


FIG. 10

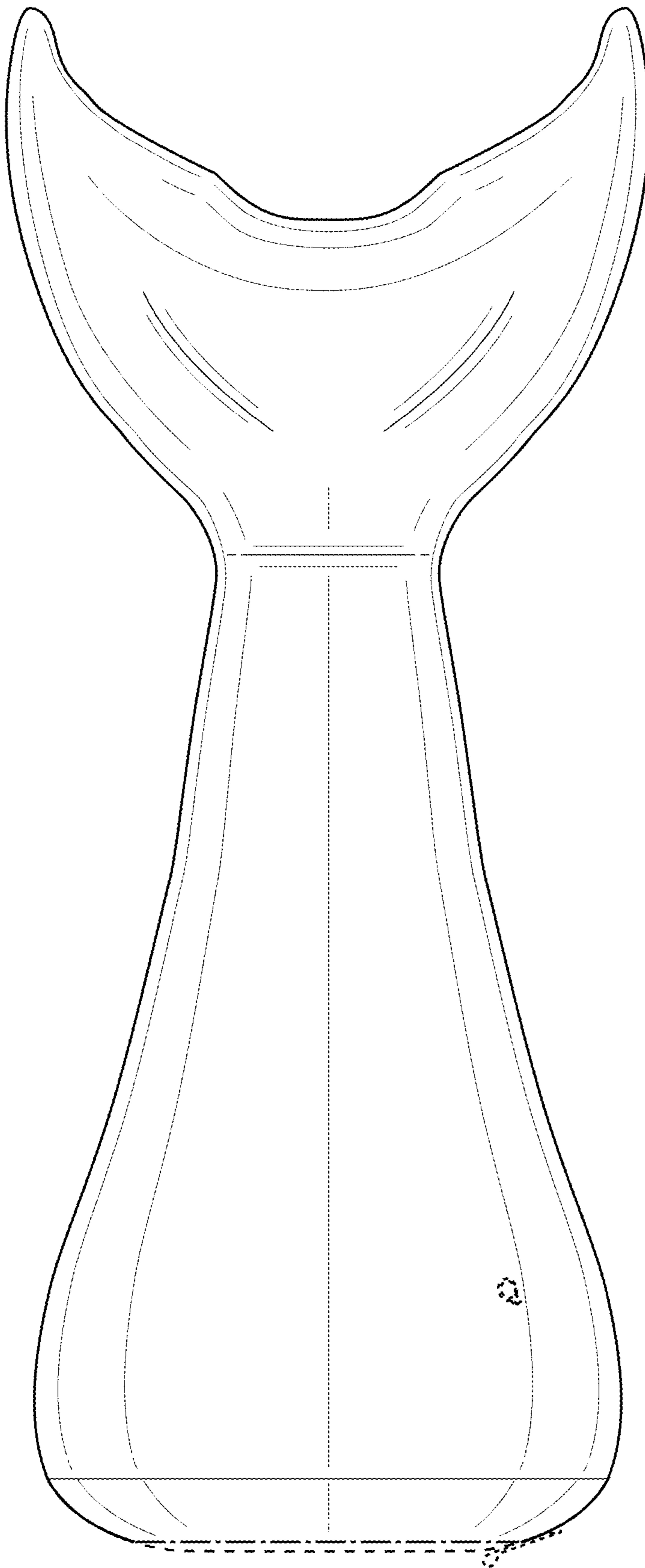


FIG. 11

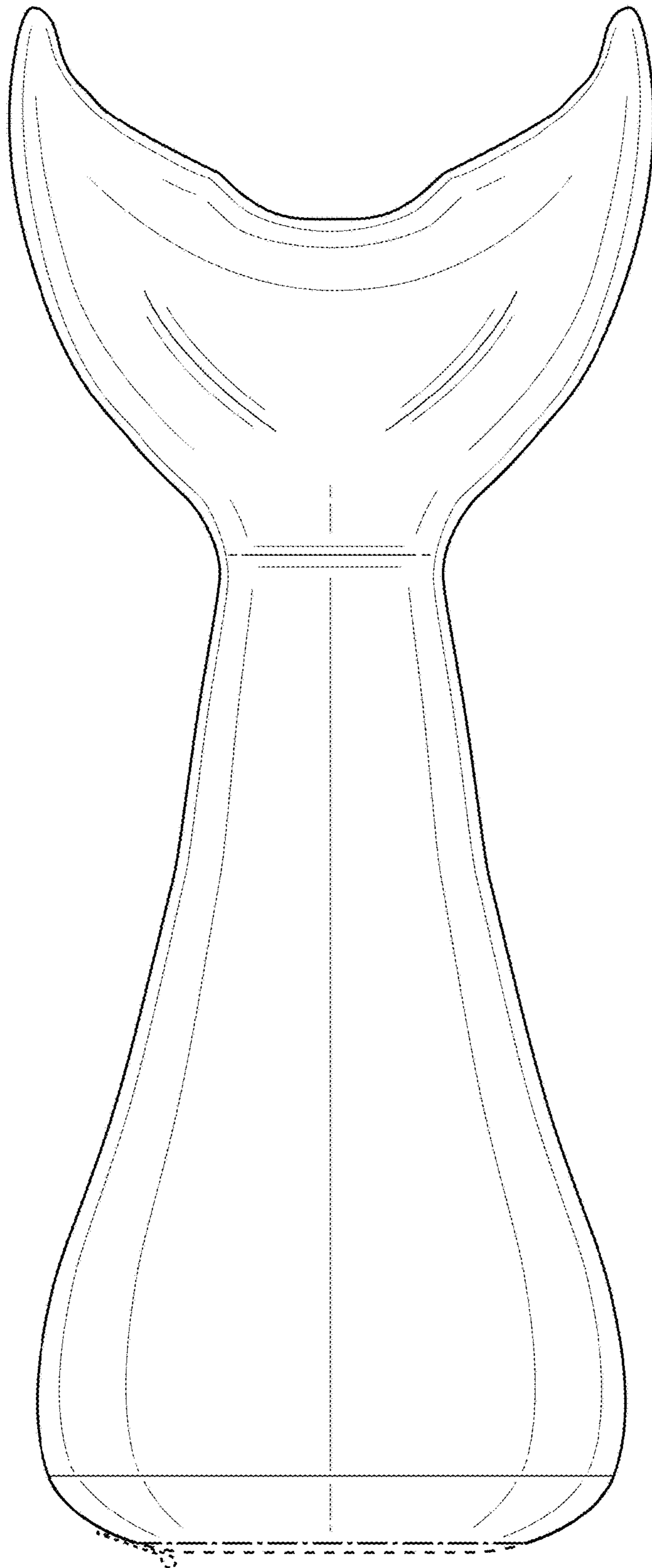


FIG. 12

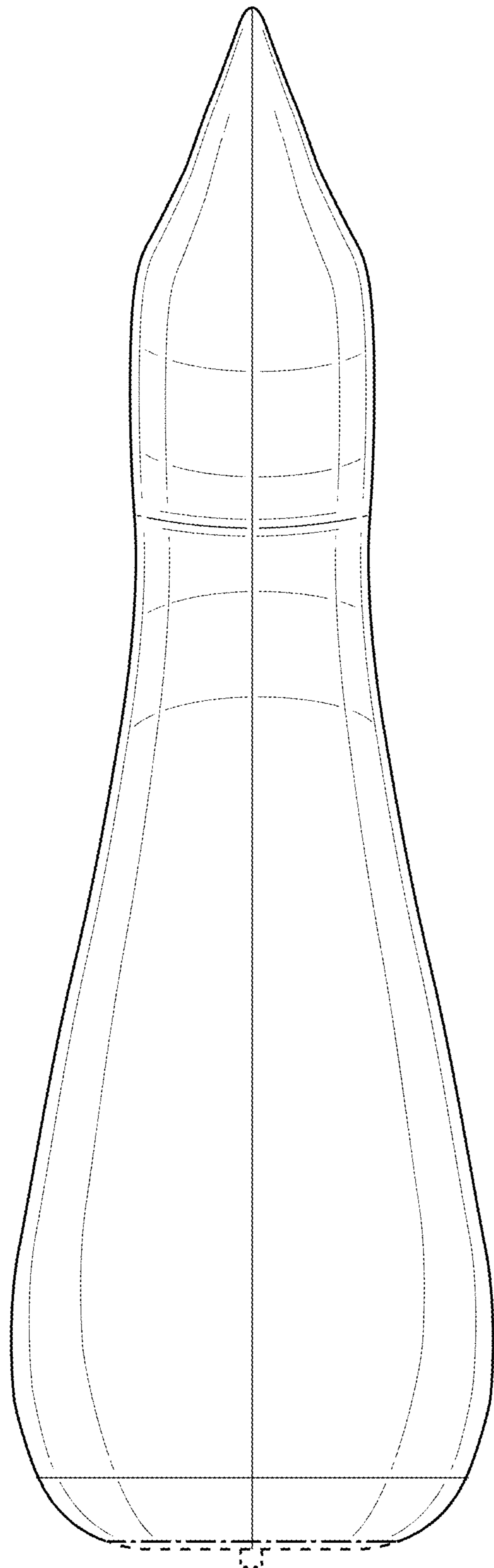


FIG. 13

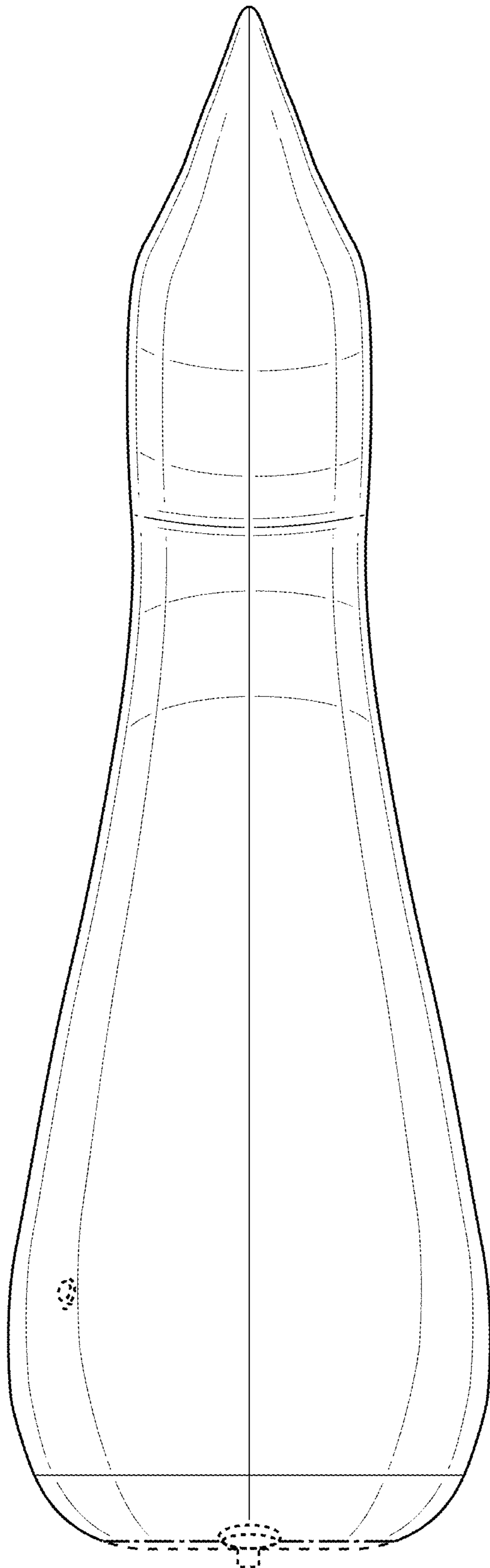


FIG. 14

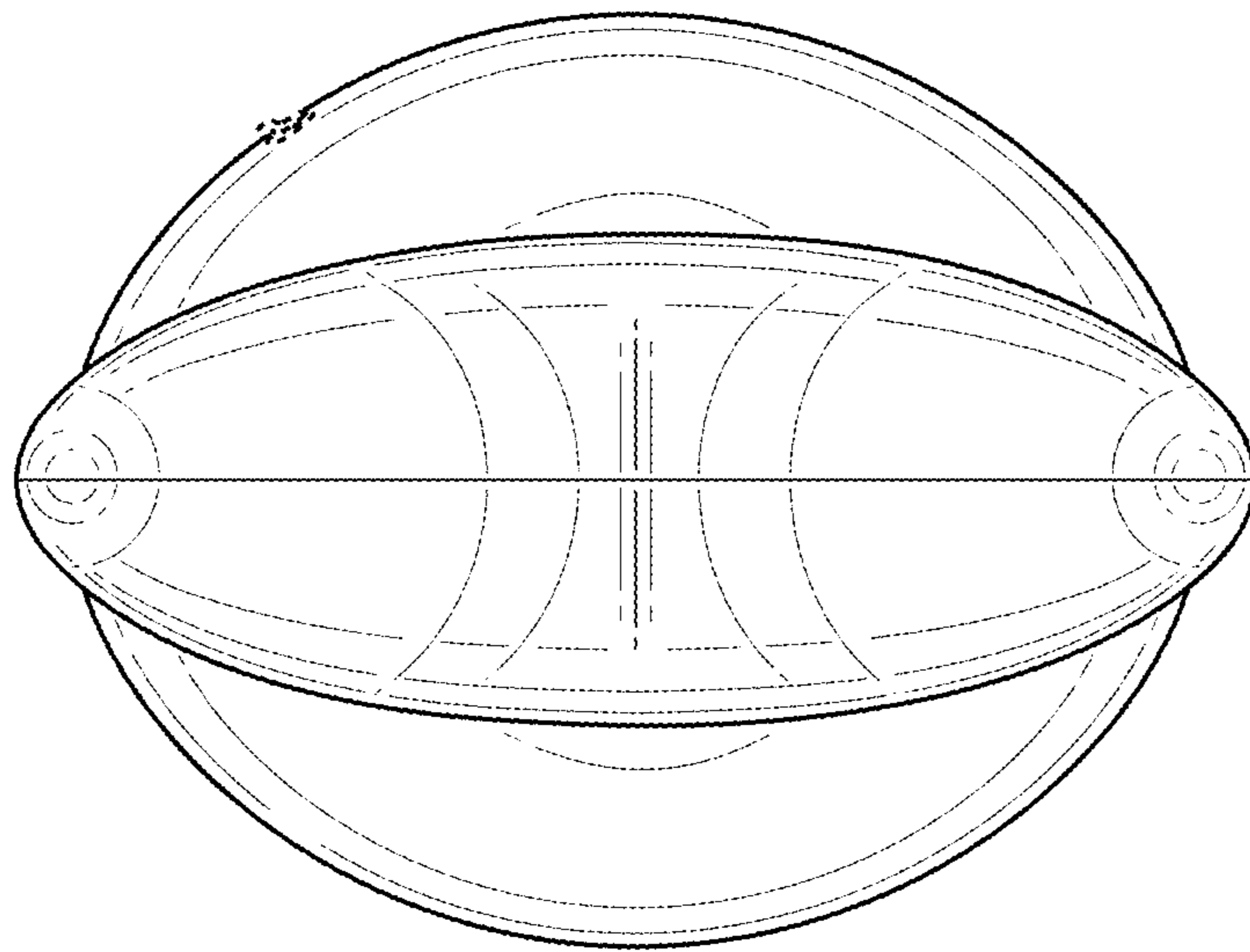


FIG. 15

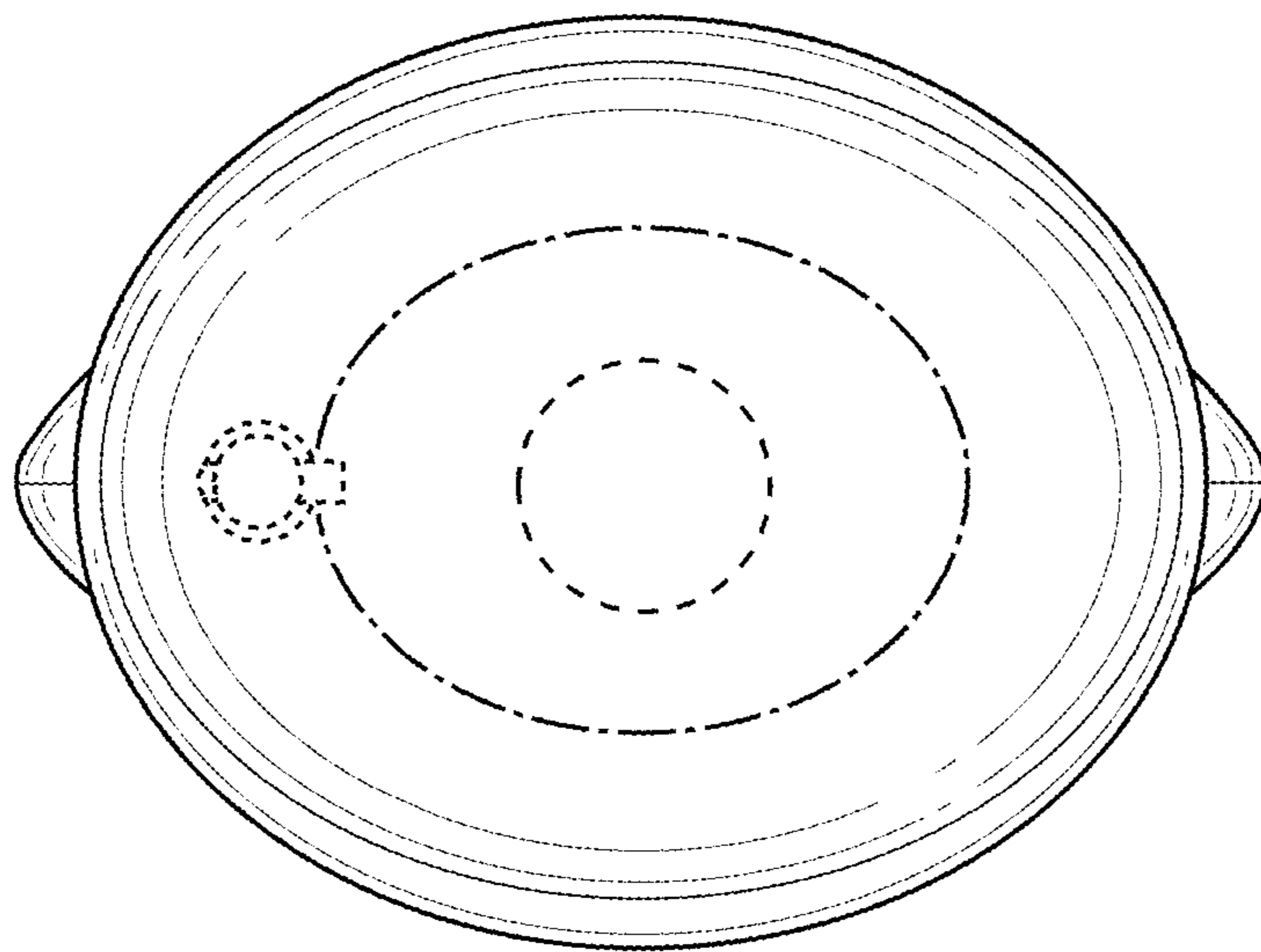


FIG. 16