



US00D830483S

(12) **United States Design Patent** (10) **Patent No.:** **US D830,483 S**
Jo (45) **Date of Patent:** **** Oct. 9, 2018**

(54) **BASEBALL BAT**
(71) Applicant: **Won Young Jang**, Busan (KR)
(72) Inventor: **Yun Hong Jo**, Busan (KR)
(73) Assignee: **Won Young Jang** (KR)
(**) Term: **15 Years**
(21) Appl. No.: **29/603,918**
(22) Filed: **May 12, 2017**

(30) **Foreign Application Priority Data**

Nov. 14, 2016 (KR) 30-2016-0054665

(51) **LOC (11) Cl.** **21-02**

(52) **U.S. Cl.**
USPC **D21/725**

(58) **Field of Classification Search**
USPC D21/725
CPC A63B 59/00; A63B 59/50–59/58; A63B 59/80; A63B 60/00; A63B 60/46; A63B 2102/00; A63B 2102/10; A63B 2102/12; A63B 2102/26; A63B 2102/28; A63B 2102/30; A63B 2102/38

See application file for complete search history.

(56) **References Cited**

U.S. PATENT DOCUMENTS

400,354 A * 3/1889 Morris A63B 59/58
473/564
796,184 A * 8/1905 Brown A63B 60/02
473/564
1,026,990 A * 5/1912 Matson A63B 60/02
473/49

4,331,330 A * 5/1982 Worst A63B 59/52
473/564
6,007,440 A * 12/1999 Bender A63B 59/52
473/564
D474,519 S * 5/2003 Filice D21/725
D482,749 S * 11/2003 Gumpel D21/725
6,776,735 B1 * 8/2004 Belanger B29C 70/32
473/567
D526,034 S * 8/2006 Davis D21/725
D667,065 S * 9/2012 Cavanagh D21/725
D702,302 S * 4/2014 Rockhill A63B 69/3638
D21/725
D785,109 S * 4/2017 Clark D21/725

* cited by examiner

Primary Examiner — Mitchell I. Siegel

(74) *Attorney, Agent, or Firm* — Renaissance IP Law Group LLP

(57) **CLAIM**

The ornamental design for a baseball bat, as shown and described.

DESCRIPTION

FIG. 1 is a perspective view of the a baseball bat showing my new design;

FIG. 2 is a front view of the a baseball bat showing my new design; the rear view, the right view and the left view being identical to the front;

FIG. 3 is a top view of the a baseball bat showing my new design; and,

FIG. 4 is a bottom view of the a baseball bat showing my new design.

A new design for a baseball bat is made of wooden, and a synthetic resin.

1 Claim, 3 Drawing Sheets

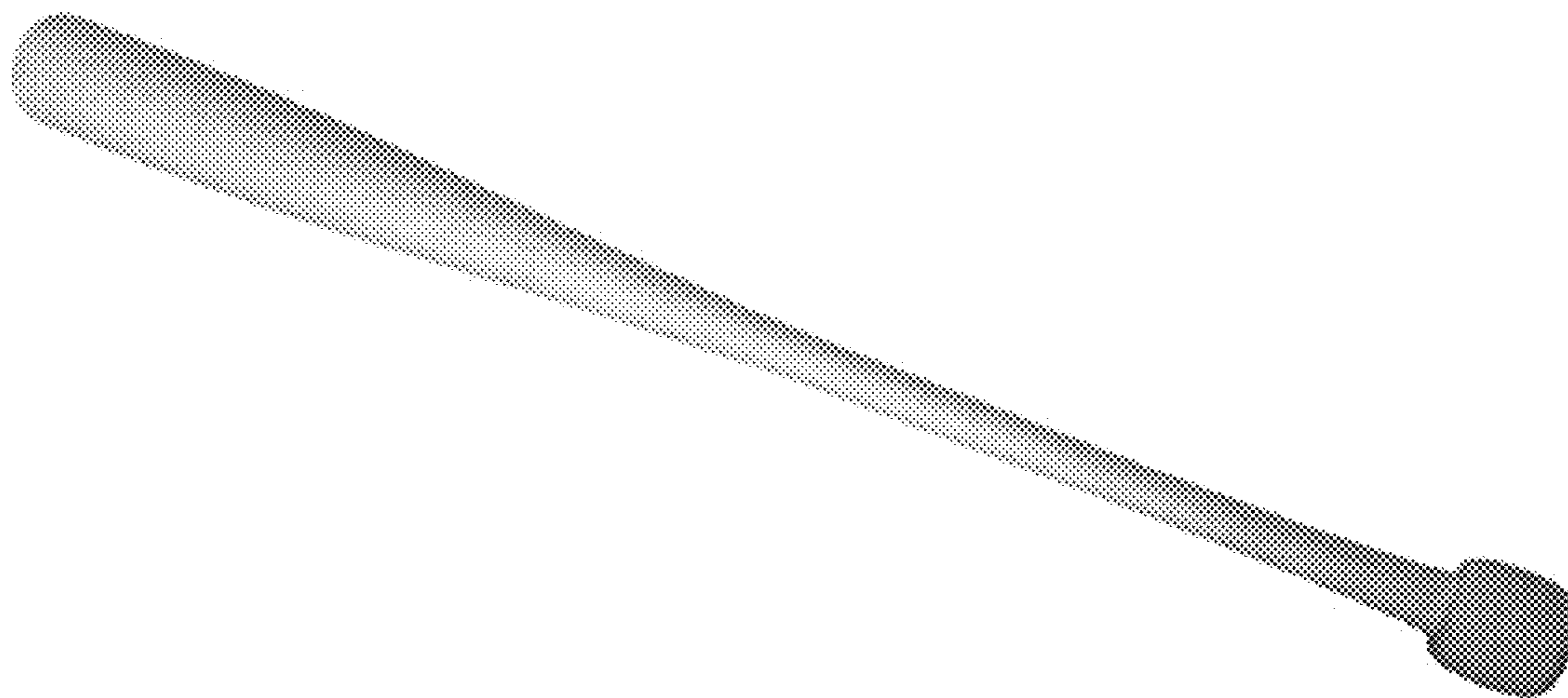


FIG. 1

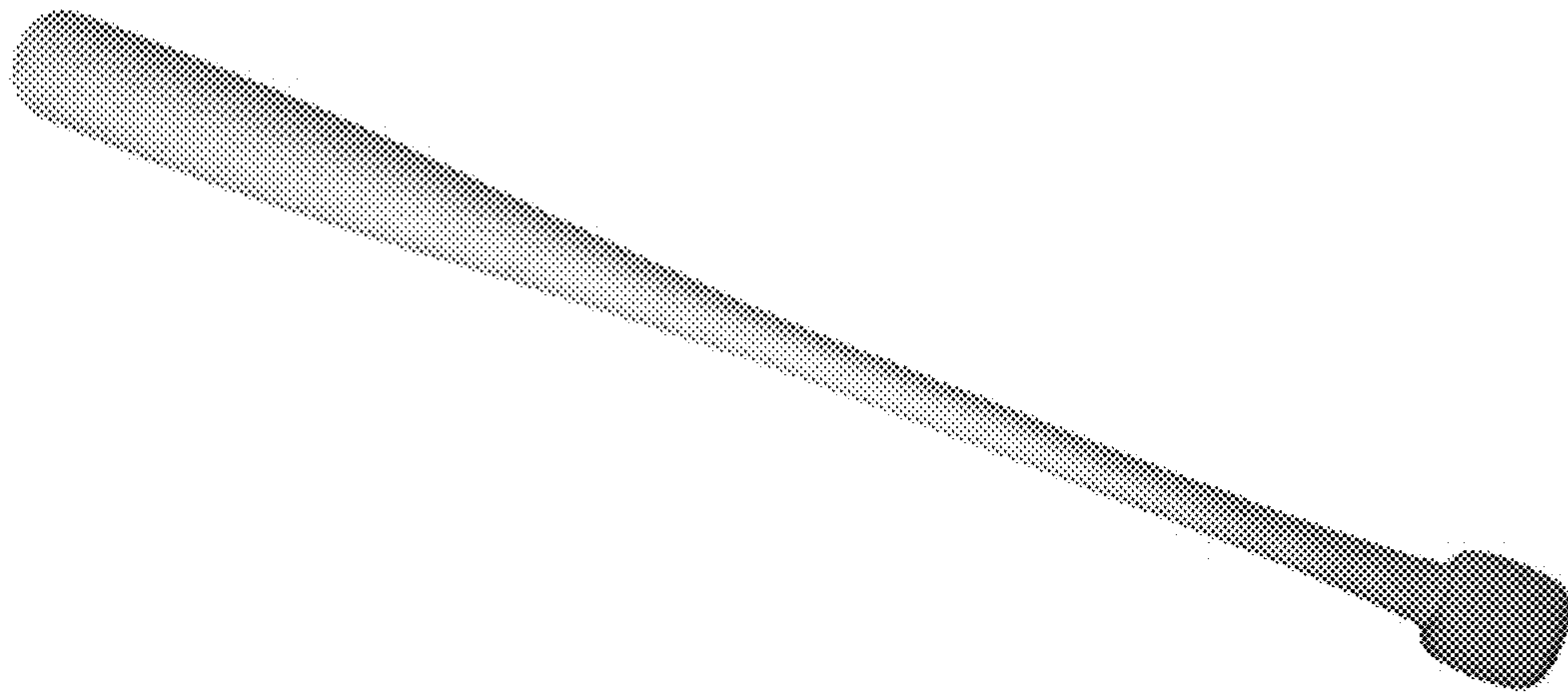


FIG. 2

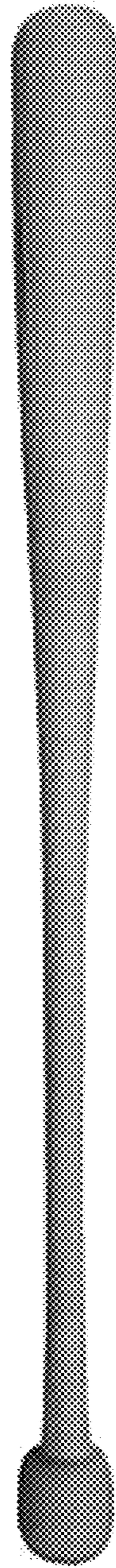


FIG. 3

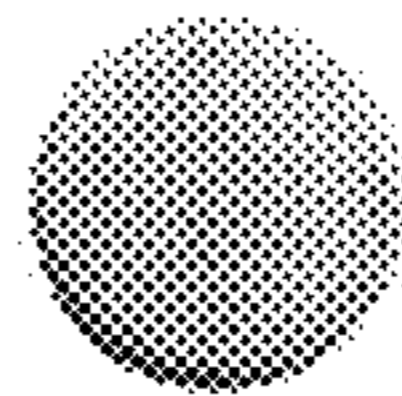


FIG. 4

