



US00D830481S

(12) **United States Design Patent** (10) **Patent No.:** **US D830,481 S**  
**Yang** (45) **Date of Patent:** **\*\* Oct. 9, 2018**

(54) **SPEED TRAINER**

(71) Applicant: **YANGZHOU JIUYI HARDWARE & MACHINERY CO., LTD.**, Yangzhou (CN)

(72) Inventor: **Yen-Shuo Yang**, Taichung (TW)

(73) Assignee: **YANGZHOU JIUYI HARDWARE & MACHINERY CO., LTD.**, Jiangsu (CN)

(\*\*) Term: **15 Years**

(21) Appl. No.: **29/567,256**

(22) Filed: **Jun. 7, 2016**

(51) **LOC (11) Cl.** ..... **21-02**

(52) **U.S. Cl.**  
USPC ..... **D21/676**

(58) **Field of Classification Search**  
USPC ..... D21/662, 668, 669, 670, 671, 676  
CPC ..... A63B 24/0062; A63B 24/0087; A63B 24/0075; A63B 22/0605; A63B 2024/0065; A63B 21/225; A63B 21/4034; A63B 21/4035; A63B 2220/12; A63B 22/02; A63B 22/0664; A63B 71/0622; A63B 2024/0068; A63B 2024/0093  
See application file for complete search history.

(56) **References Cited**

**U.S. PATENT DOCUMENTS**

D330,238 S *	10/1992	Desiderio	.....	D21/675
D358,183 S *	5/1995	Habing	.....	D21/675
D457,580 S *	5/2002	Webber	.....	D21/675
D511,190 S *	11/2005	Panatta	.....	D21/675
D512,113 S *	11/2005	Carter	.....	D21/675
D513,286 S *	12/2005	Panatta	.....	D21/676
D518,121 S *	3/2006	Panatta	.....	D21/676
D552,193 S *	10/2007	Husted	.....	D21/676
D633,581 S *	3/2011	Thulin	.....	D21/676
2003/0100413 A1 *	5/2003	Huang	.....	A63B 21/154 482/100
2004/0082444 A1 *	4/2004	Golesh	.....	A63B 21/154 482/99

**OTHER PUBLICATIONS**

Youtube GX6 Agility Functional Speed Trainer, [online], [site visited Dec. 19, 2017]. Available from Internet, URL: <https://www.youtube.com/watch?v=sQK08cJ8t-g>.\*

Agility GX6 Functional Speed Trainer, [online], [site visited Dec. 18, 2017]. Available from Internet, URL: <https://equipfitness.net/products/agility-gx6-functional-speed-trainer>.\*

Agility GX6 from Quick Ship Fitness, [online], [site visited Dec. 19, 2017]. Available from Internet, URL: <https://www.quickshipfitness.com/agility-gx6-functional-speed-trainer.html>.\*

Amazon GX6 Agility Functional Speed Trainer, [online], [site visited Dec. 19, 2017]. Available from Internet, URL: [https://www.amazon.com/GX6-Home-Gym-Strength-Agility/dp/B01JDVCM5O/ref=sr\\_1\\_fkmr0\\_1](https://www.amazon.com/GX6-Home-Gym-Strength-Agility/dp/B01JDVCM5O/ref=sr_1_fkmr0_1).\*

\* cited by examiner

*Primary Examiner* — Caron D Veynar

*Assistant Examiner* — Katrina N Gonzalez

(74) *Attorney, Agent, or Firm* — LeClairRyan

(57) **CLAIM**

The ornamental design for a speed trainer, as shown and described.

**DESCRIPTION**

FIG. 1 is a perspective view of a speed trainer showing my new design;

FIG. 2 is a front elevational view thereof;

FIG. 3 is a rear elevational view thereof;

FIG. 4 is a left side elevational view thereof;

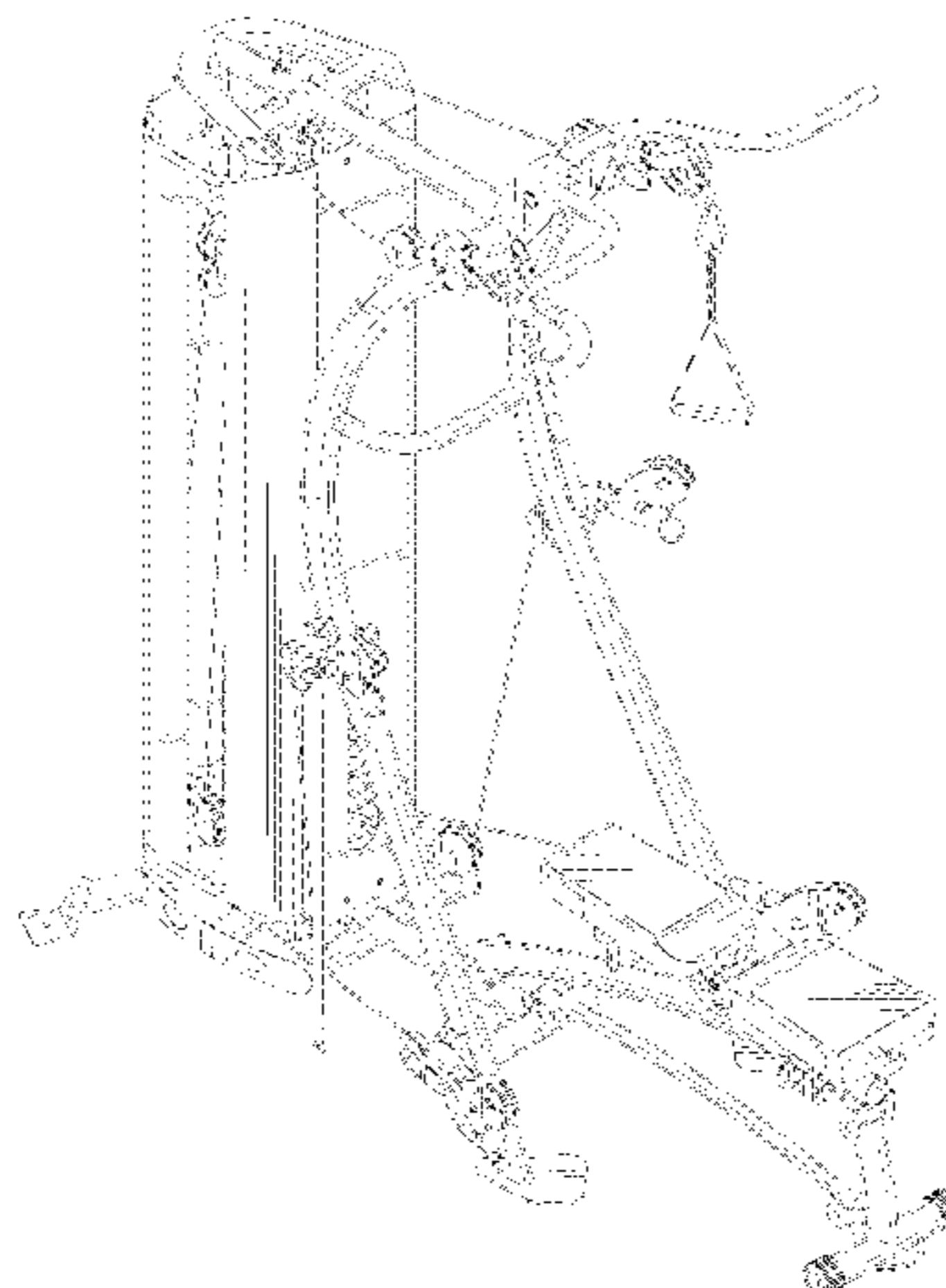
FIG. 5 is a right side elevational view thereof;

FIG. 6 is a top plan view thereof; and,

FIG. 7 is a bottom plan view thereof.

The broken lines depict portions of a speed trainer in which the design is embodied that form no part of the claimed design.

**1 Claim, 7 Drawing Sheets**



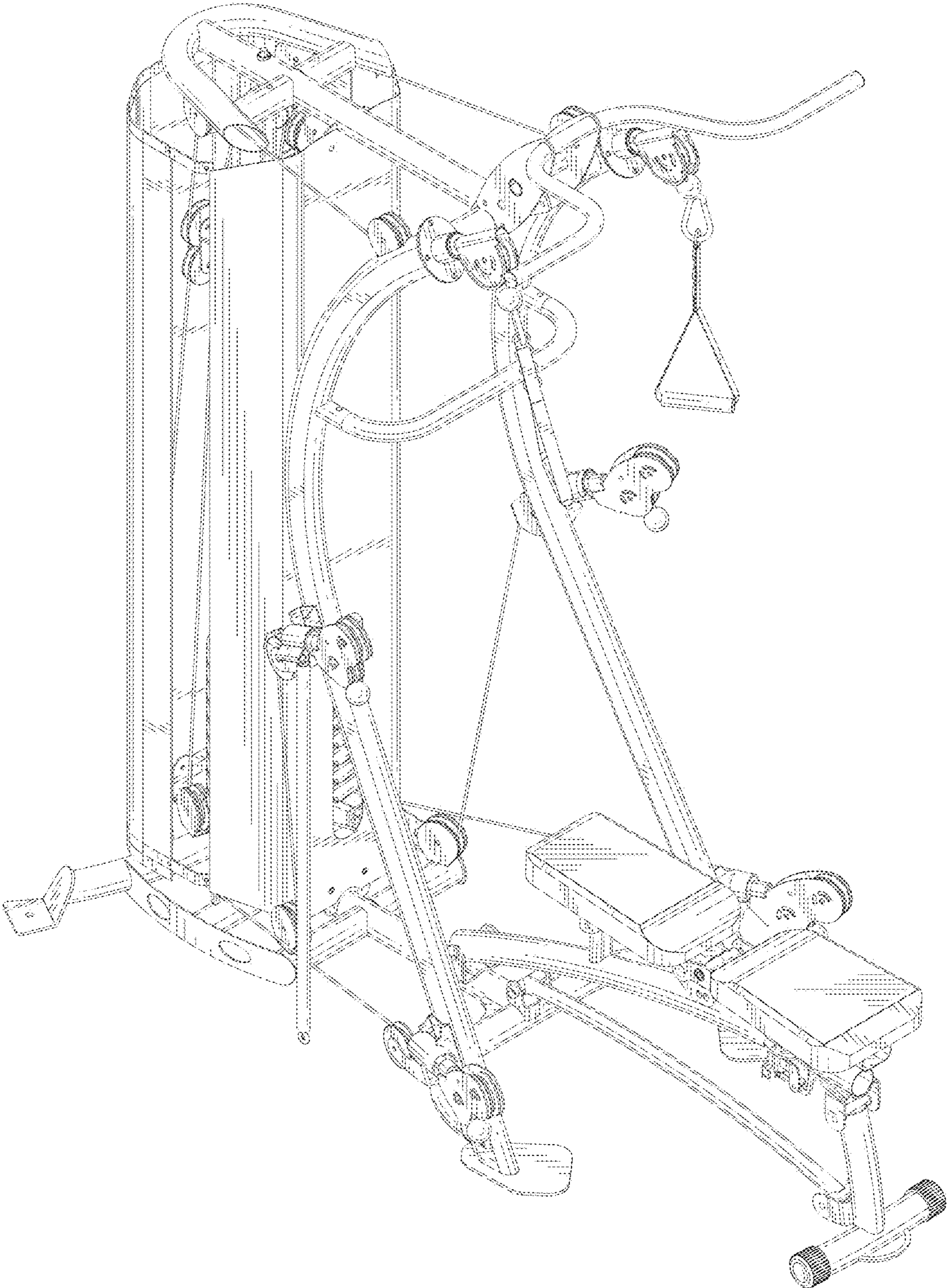


FIG. 1

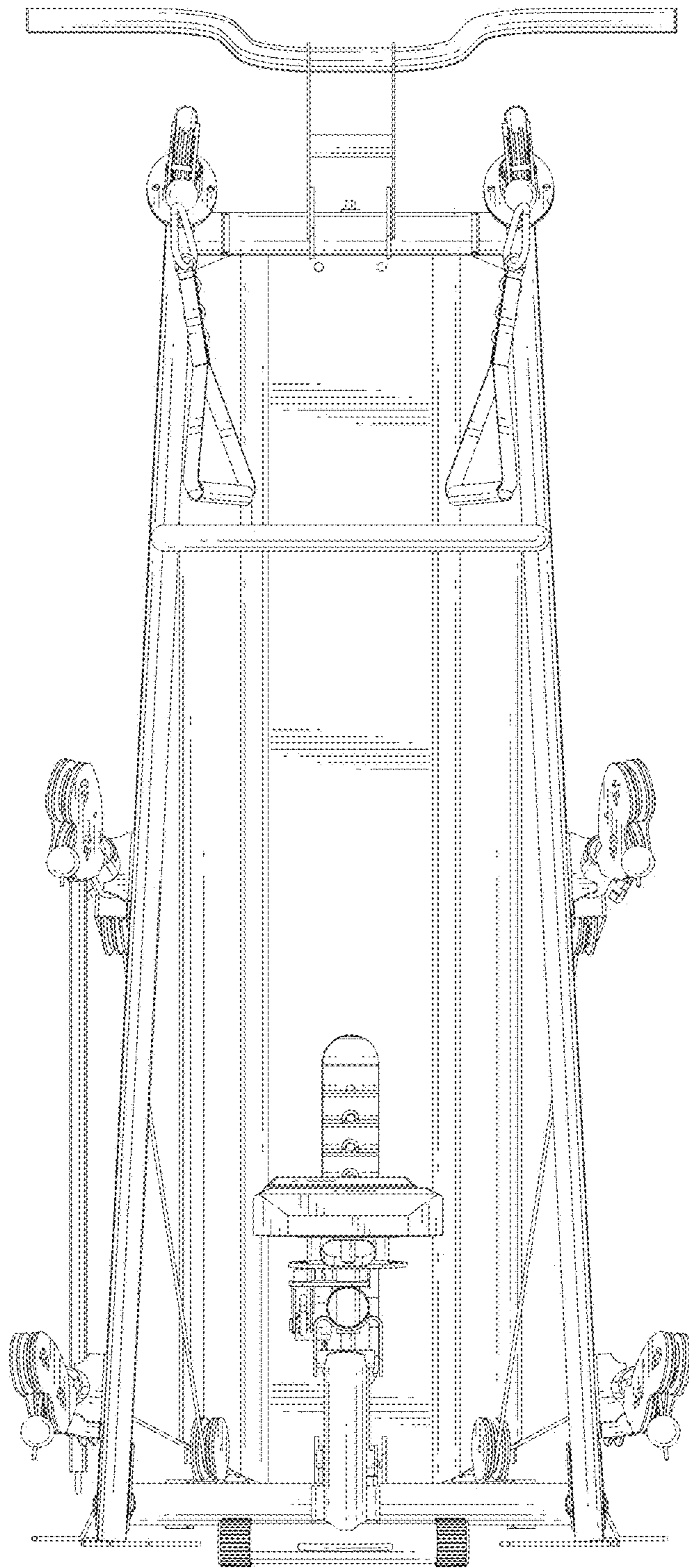


FIG. 2

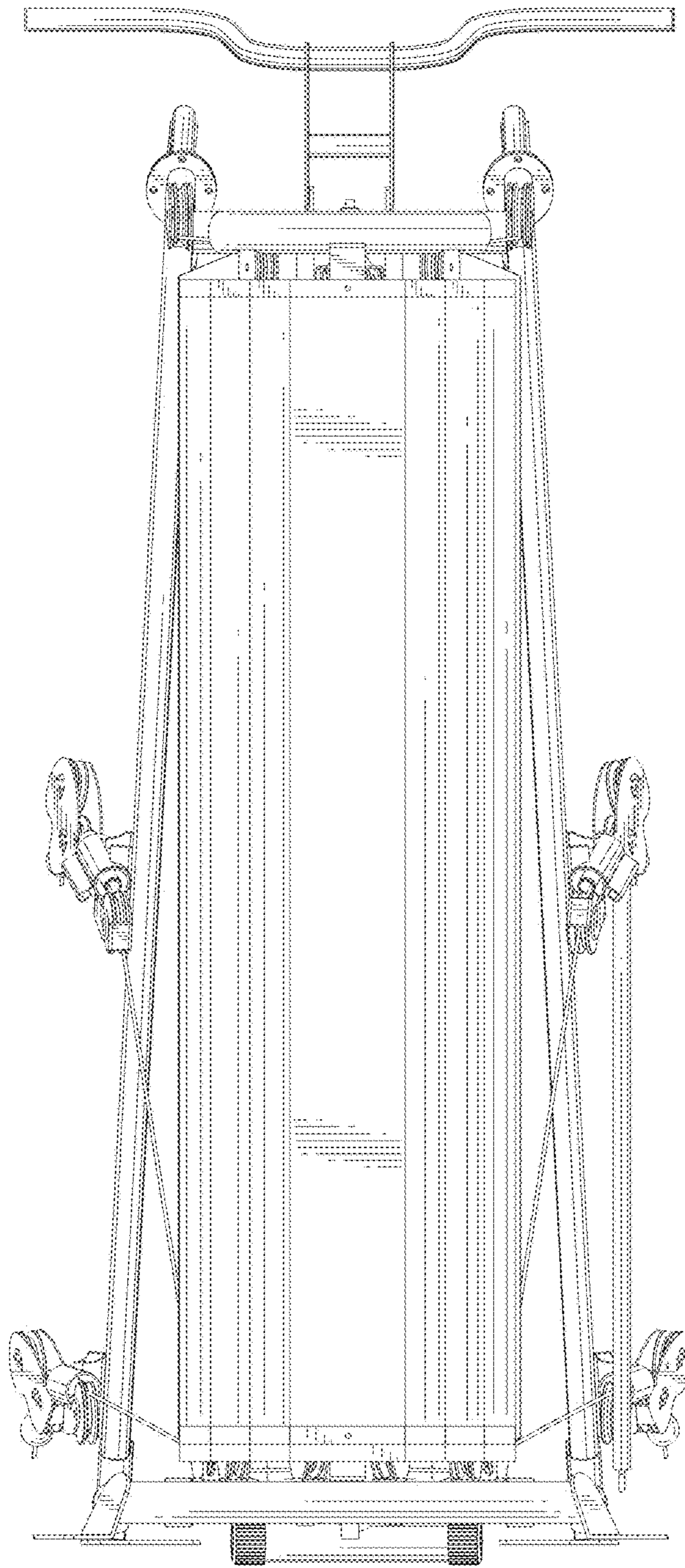


FIG. 3

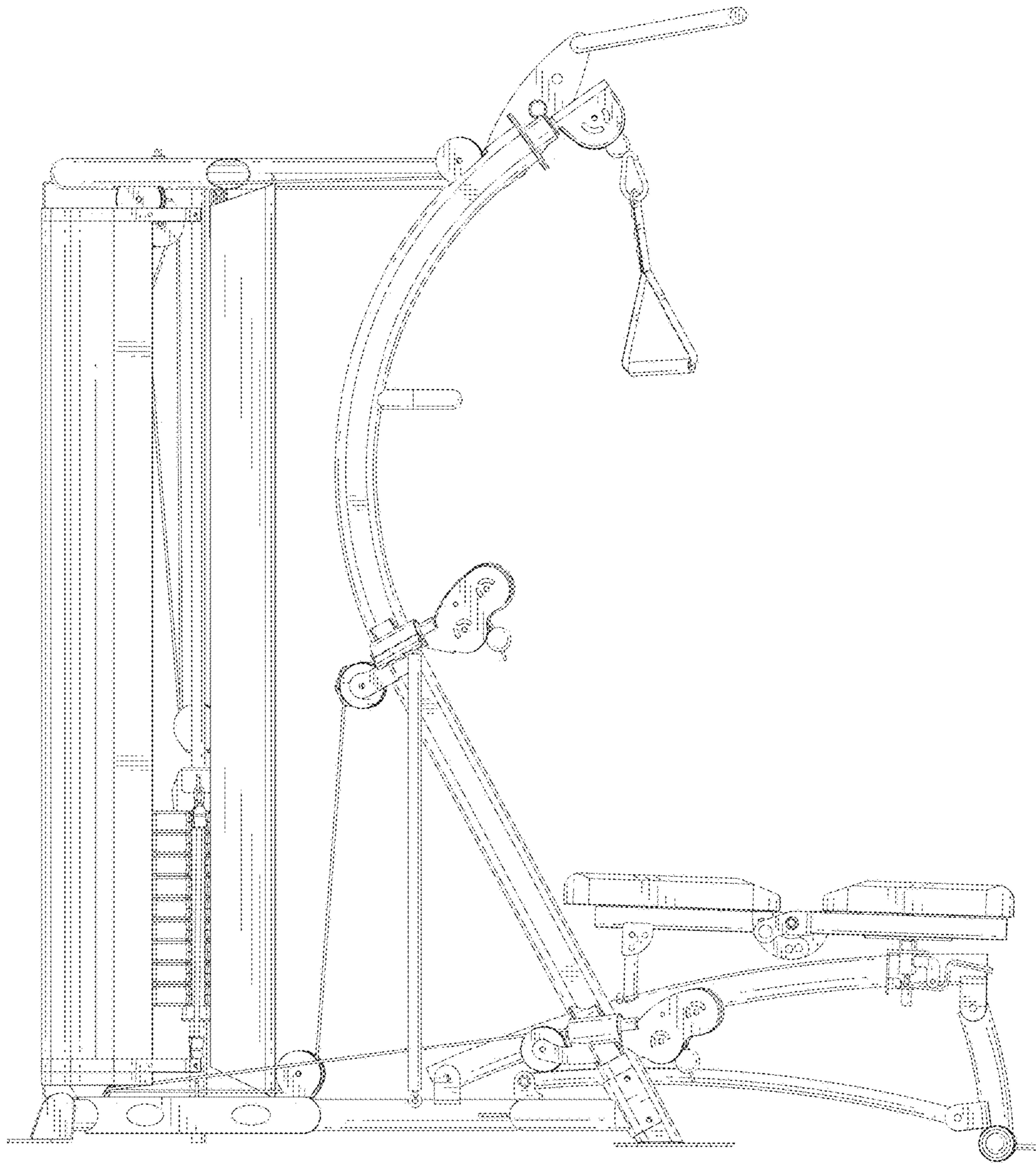


FIG. 4

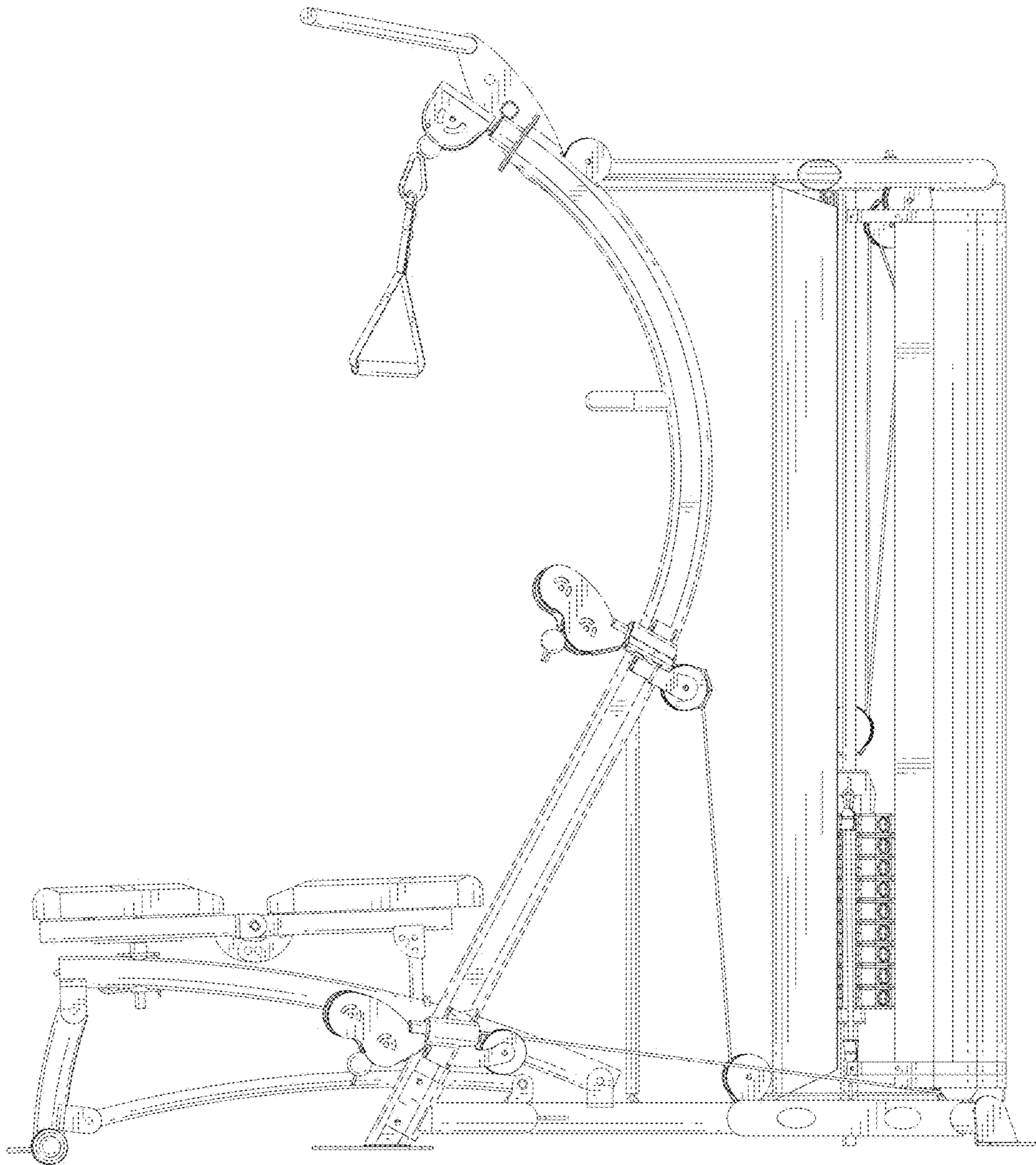


FIG. 5

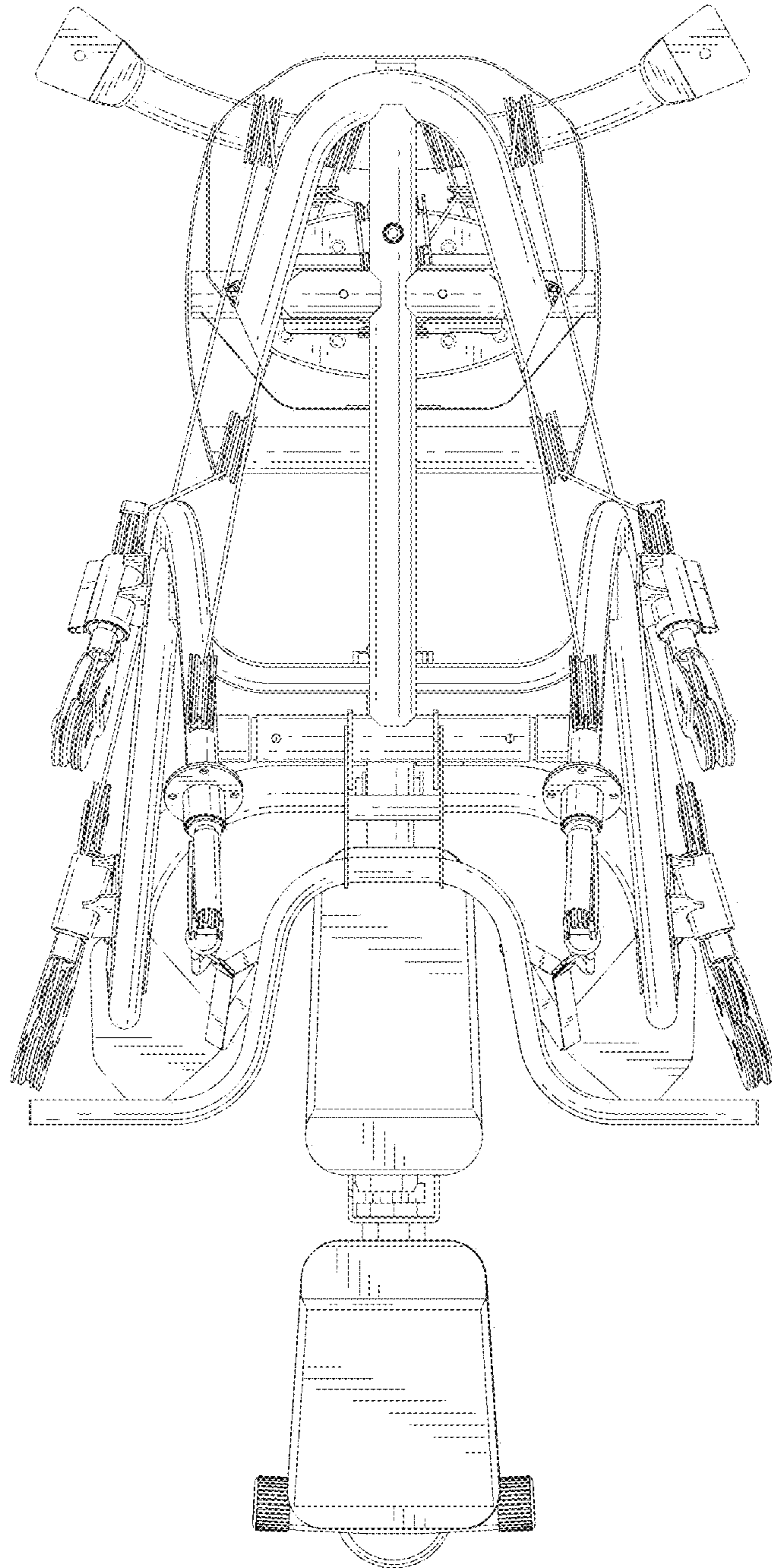


FIG. 6

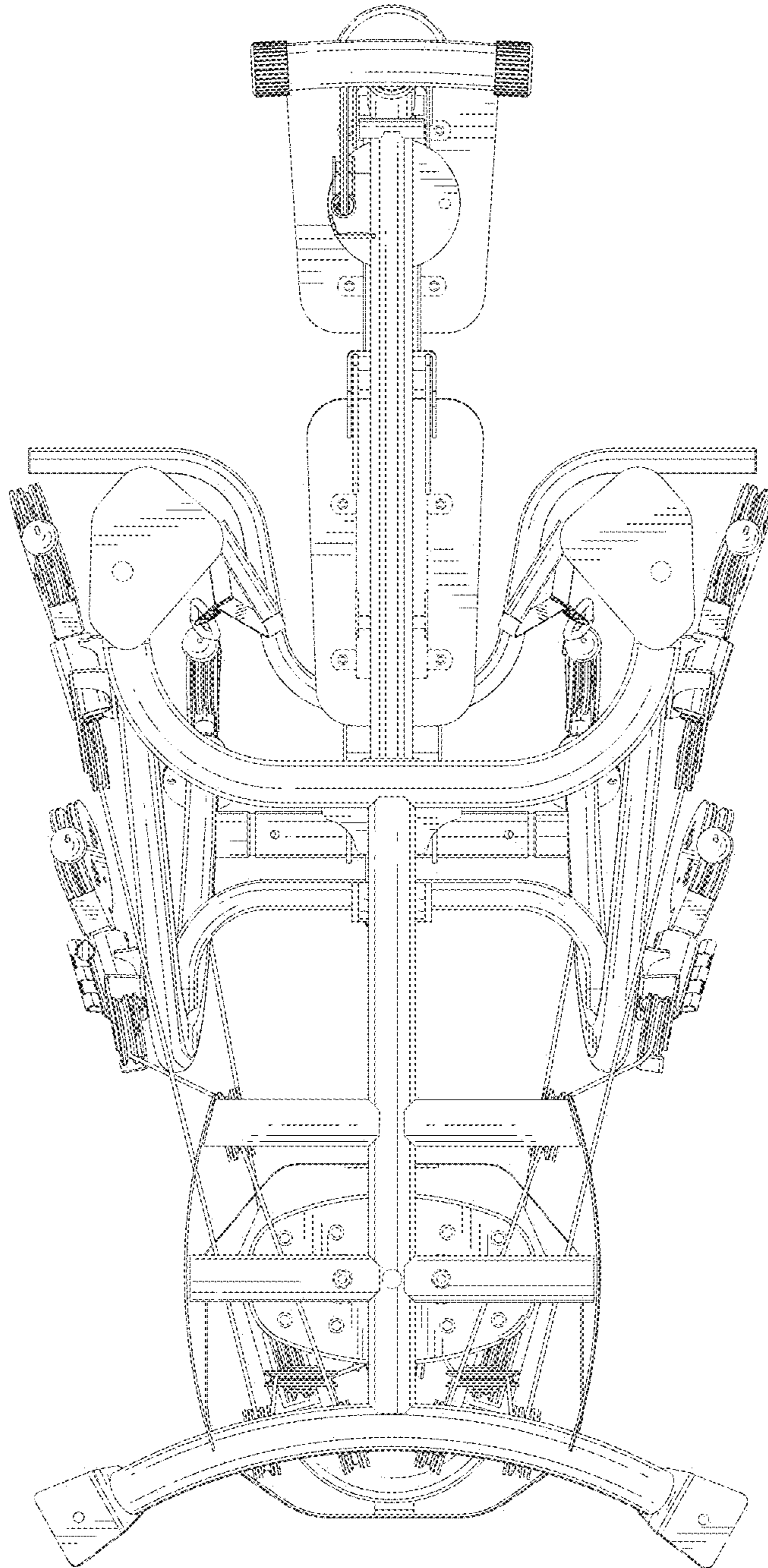


FIG. 7