

US00D830480S

(12) **United States Design Patent**  
**Chu**

(10) **Patent No.:** **US D830,480 S**  
(45) **Date of Patent:** **\*\* Oct. 9, 2018**

- (54) **TOY GUN**
- (71) Applicant: **I CHIH SHIVAN ENTERPRISE CO., LTD.**, Taichung (TW)
- (72) Inventor: **Chen Tang Chu**, Taichung (TW)
- (73) Assignee: **I CHIH SHIVAN ENTERPRISE CO., LTD.**, Taichung (TW)
- (\*\*) Term: **15 Years**
- (21) Appl. No.: **29/594,982**
- (22) Filed: **Feb. 24, 2017**
- (51) **LOC (11) Cl.** ..... **21-01**
- (52) **U.S. Cl.**  
USPC ..... **D21/574**
- (58) **Field of Classification Search**  
USPC ..... D21/567, 570-575; D22/100-104,  
D22/108-109; 124/41.1, 45, 49, 50, 51.1,  
124/55, 56, 69, 70-79, 80, 82  
CPC .... F41C 3/00; F41C 3/005; F41C 3/02; F41C  
3/04; F41C 3/06; F41C 3/14; F41C 3/16;  
F41C 9/02; F41C 9/04; F41C 9/06  
See application file for complete search history.

D690,374 S *	9/2013	Lee .....	D21/574
D744,049 S *	11/2015	Chu .....	D21/574
D754,802 S *	4/2016	Martelli .....	D21/574
D755,324 S *	5/2016	Martelli .....	D22/104
D755,907 S *	5/2016	Hu .....	D21/574
D791,262 S *	7/2017	Brown .....	D22/104

**OTHER PUBLICATIONS**

ICS BLE-XAE Ambidextrous Duty Size GBB Airsoft Pistol [online] found on Jan. 11, 2018 from URL <https://www.evike.com/products/71432/>.

\* cited by examiner

*Primary Examiner* — Robin V Webster

*Assistant Examiner* — Keith J Wilson

(74) *Attorney, Agent, or Firm* — Leong C. Lei

(57) **CLAIM**

The ornamental design for a toy gun, as shown and described.

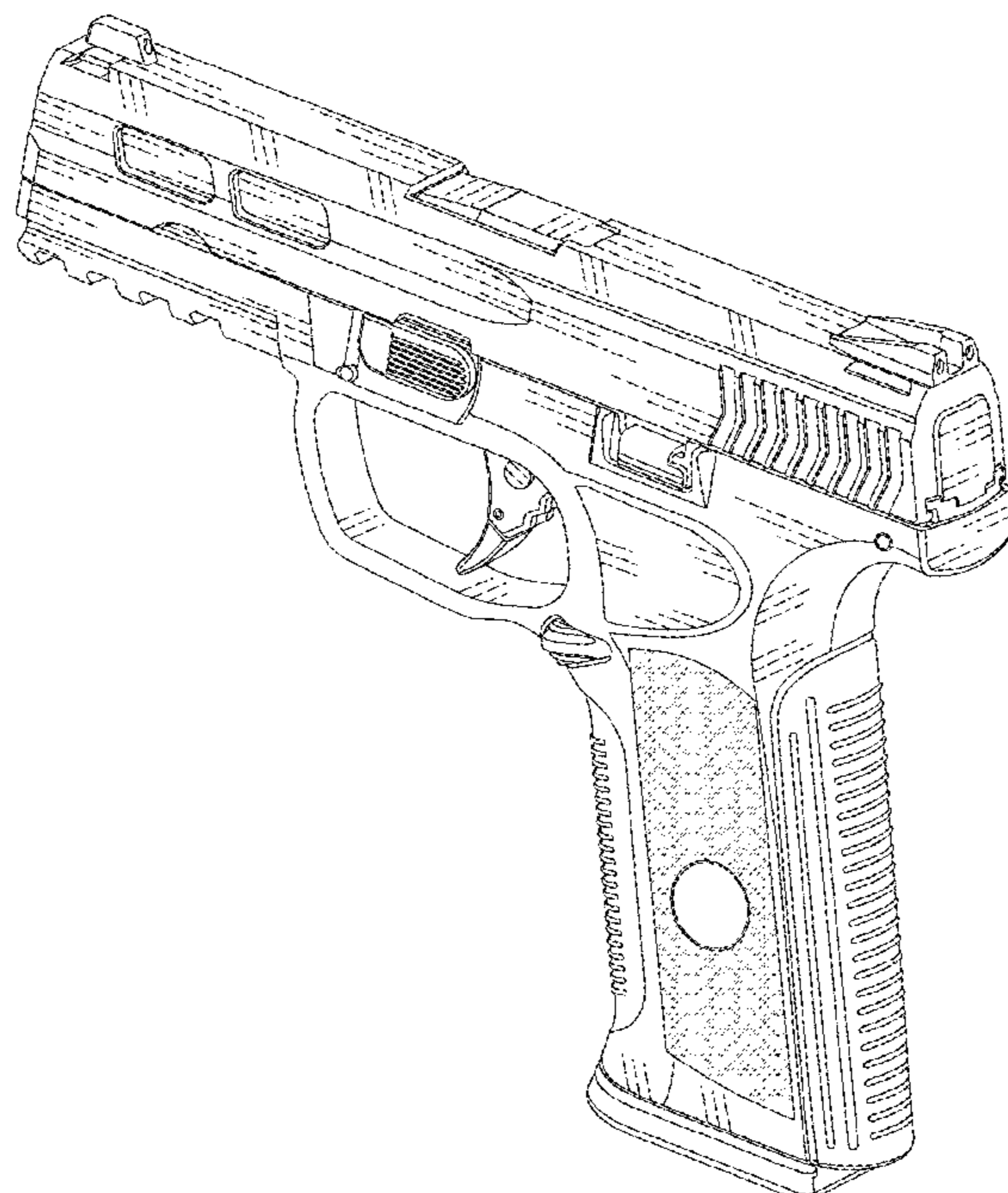
**DESCRIPTION**

FIG. 1 is a front perspective view of a toy gun showing my new design;  
FIG. 2 is another perspective view thereof;  
FIG. 3 is another perspective view thereof;  
FIG. 4 is a front elevational view thereof;  
FIG. 5 is a rear elevational view thereof;  
FIG. 6 is a left elevational view thereof;  
FIG. 7 is a right elevational view thereof;  
FIG. 8 is a top plan view thereof; and,  
FIG. 9 is a bottom plan view thereof.  
The broken lines shown represent portions of the toy gun that form no part of the claimed design.

**1 Claim, 9 Drawing Sheets**

(56) **References Cited**  
U.S. PATENT DOCUMENTS

D293,357 S *	12/1987	Ruger .....	D22/108
D583,896 S *	12/2008	McGarry .....	D22/104
D593,629 S *	6/2009	Bantle .....	D22/104
D598,065 S *	8/2009	Vukovic .....	D22/104
D627,028 S *	11/2010	Coulombier .....	D22/104
D676,094 S *	2/2013	Hu .....	D21/574
D681,131 S *	4/2013	Su .....	D21/574
D688,764 S *	8/2013	Yigit .....	D22/104



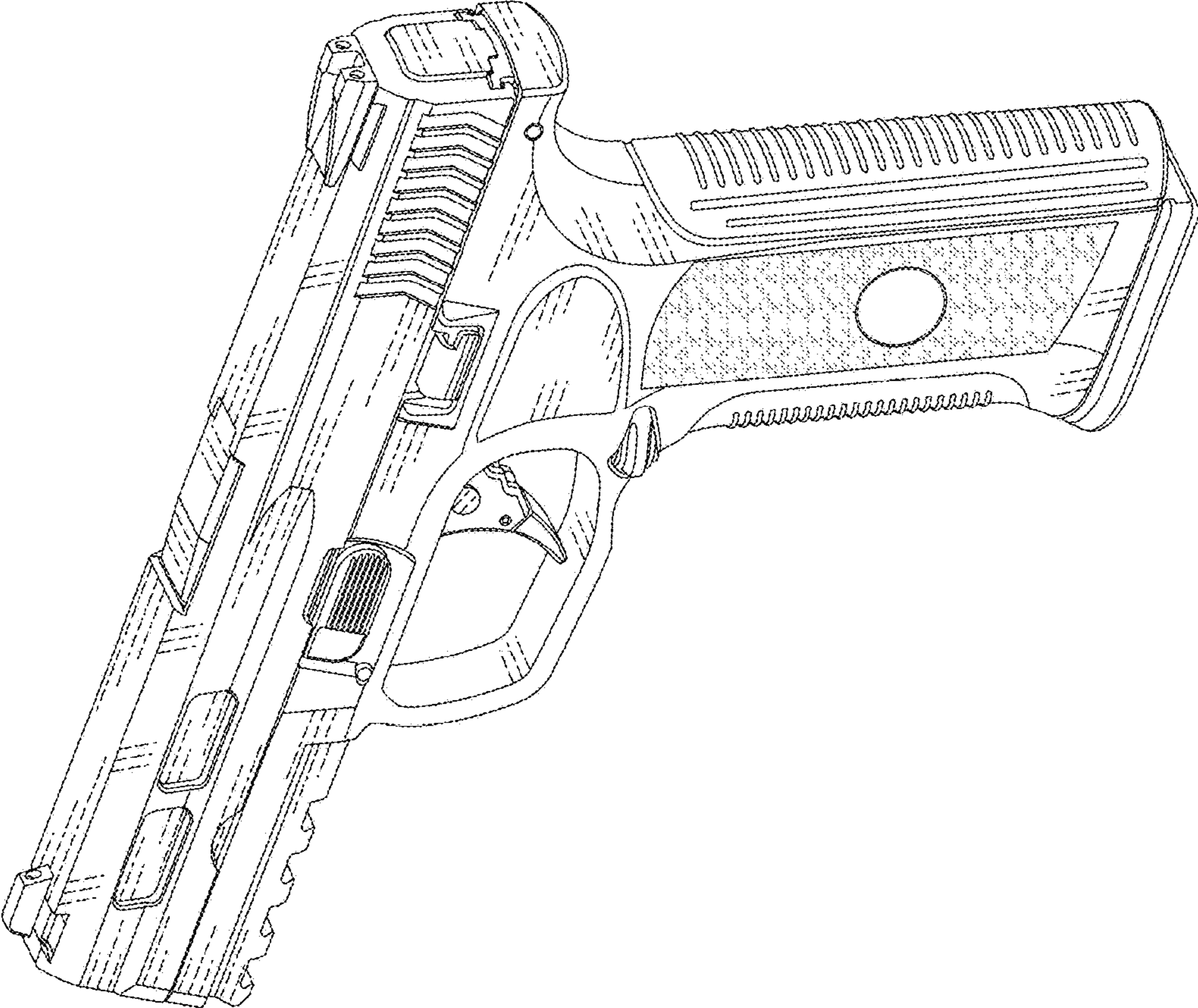


FIG. 1

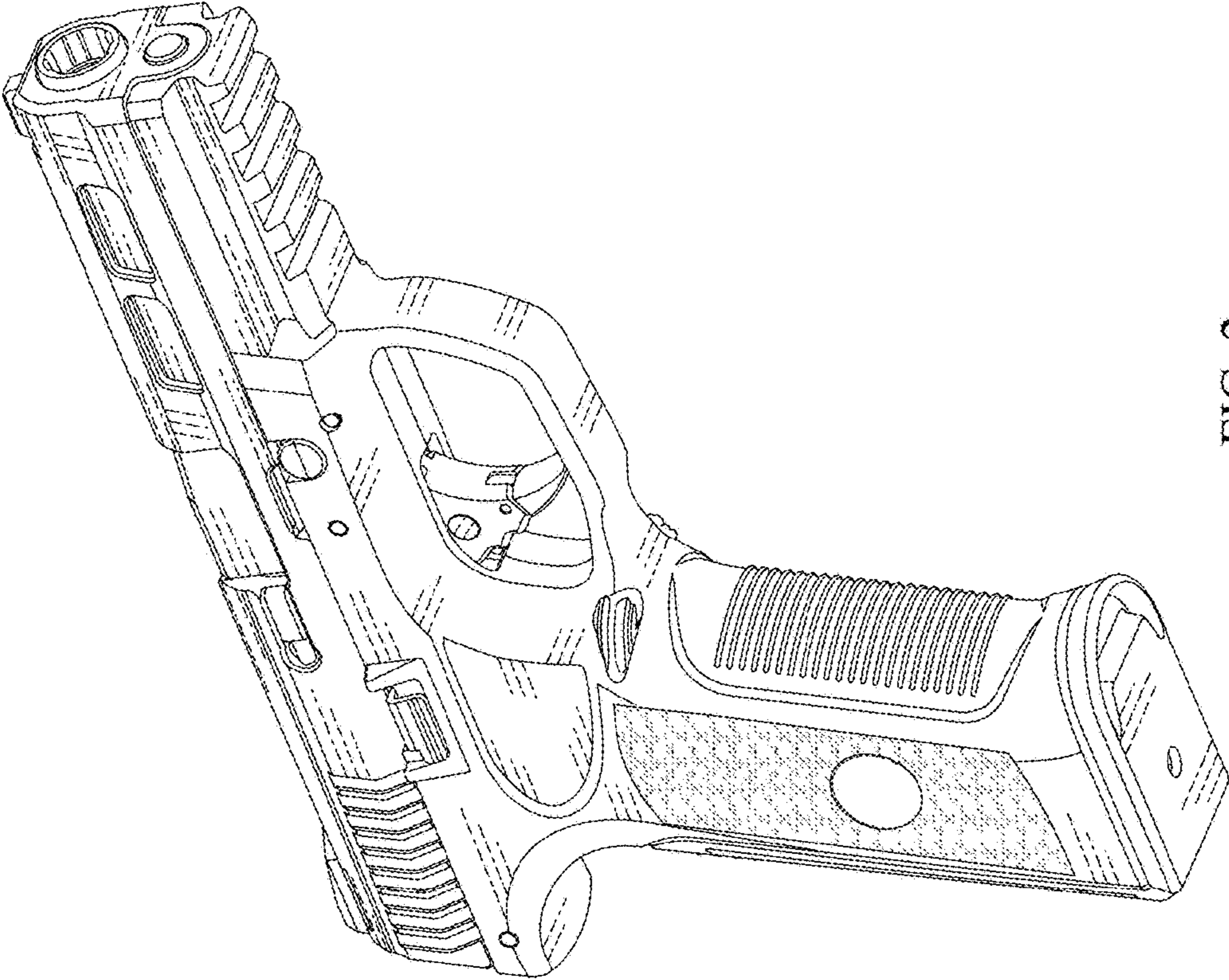


FIG. 2

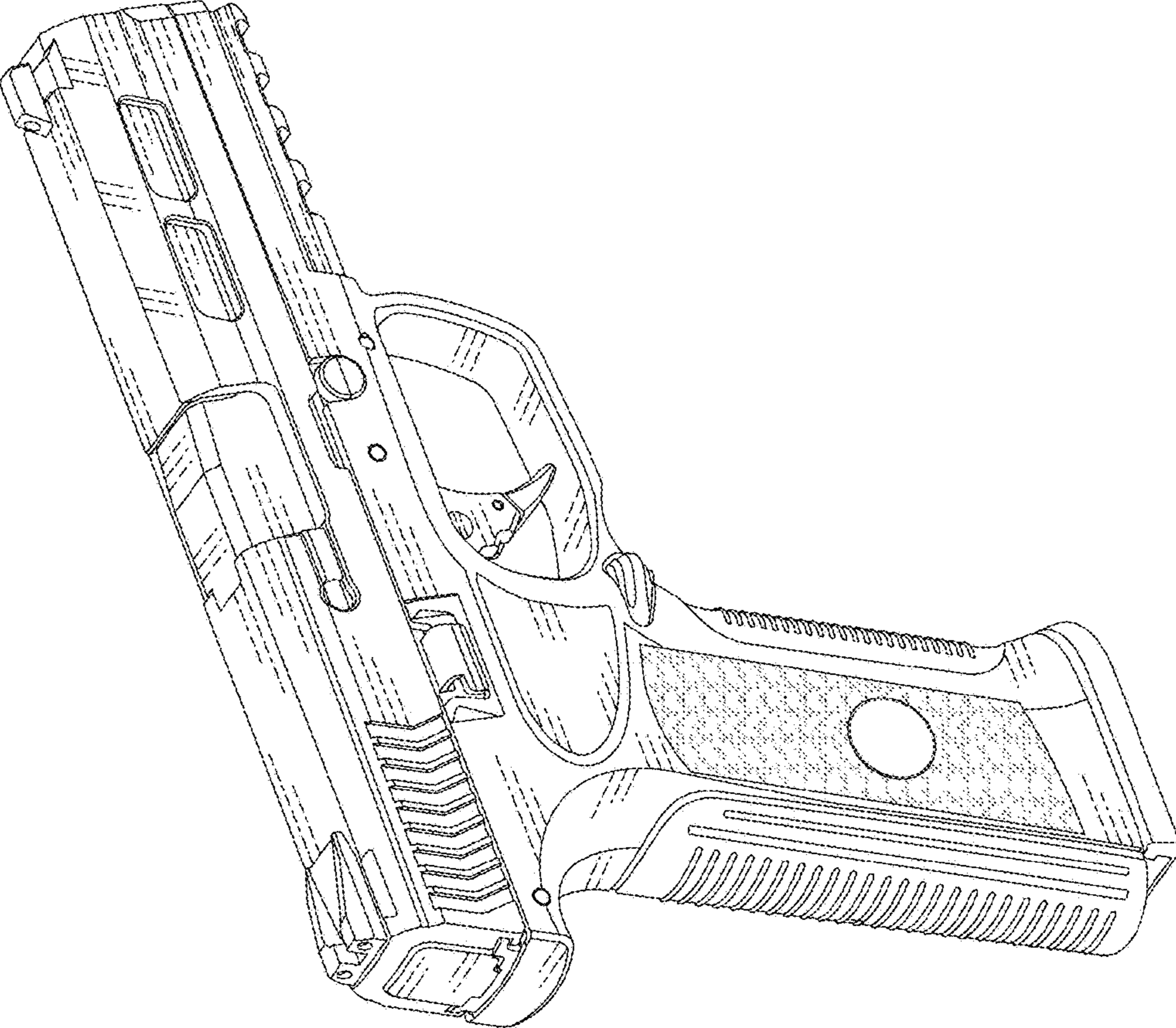


FIG.3

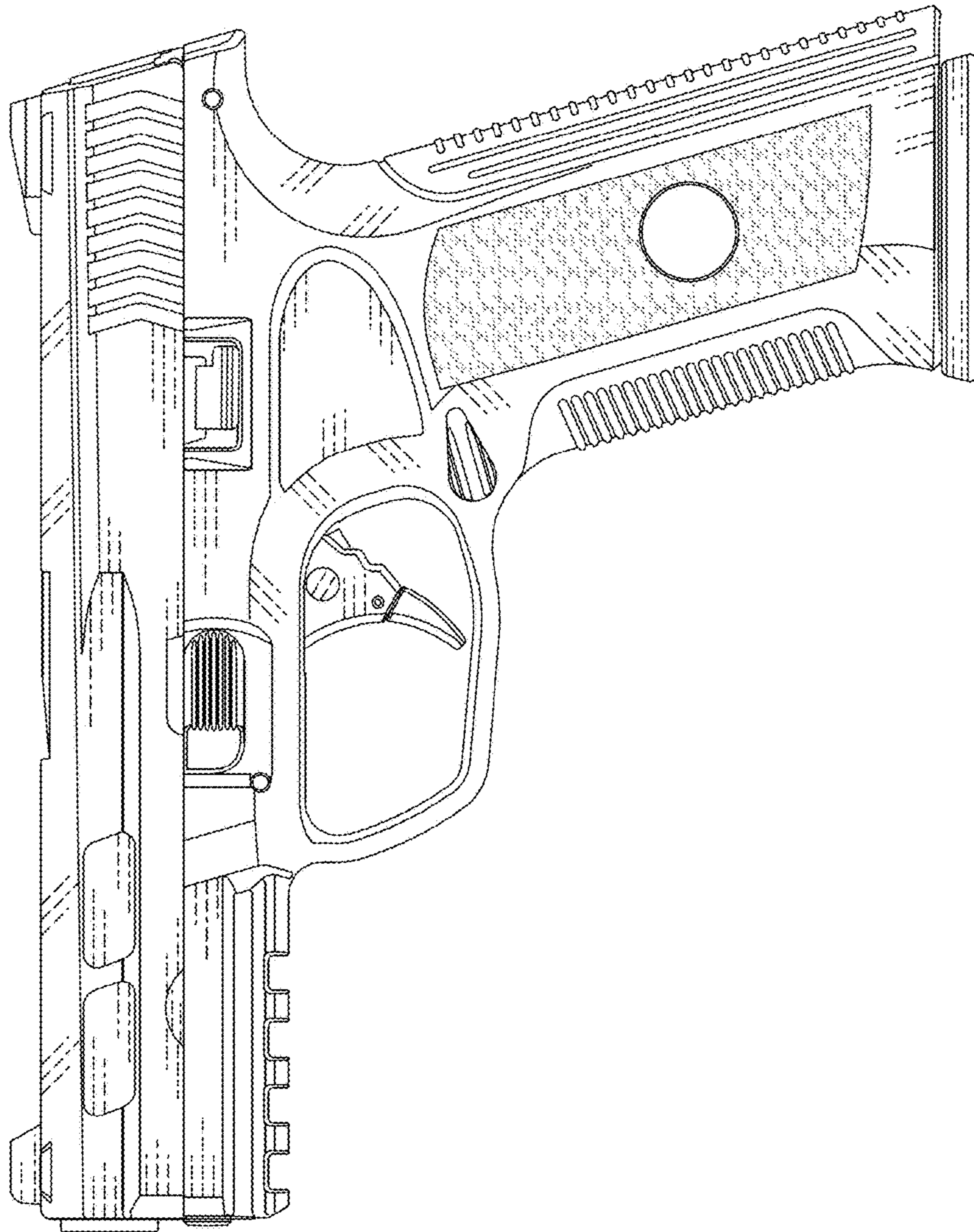


FIG. 4

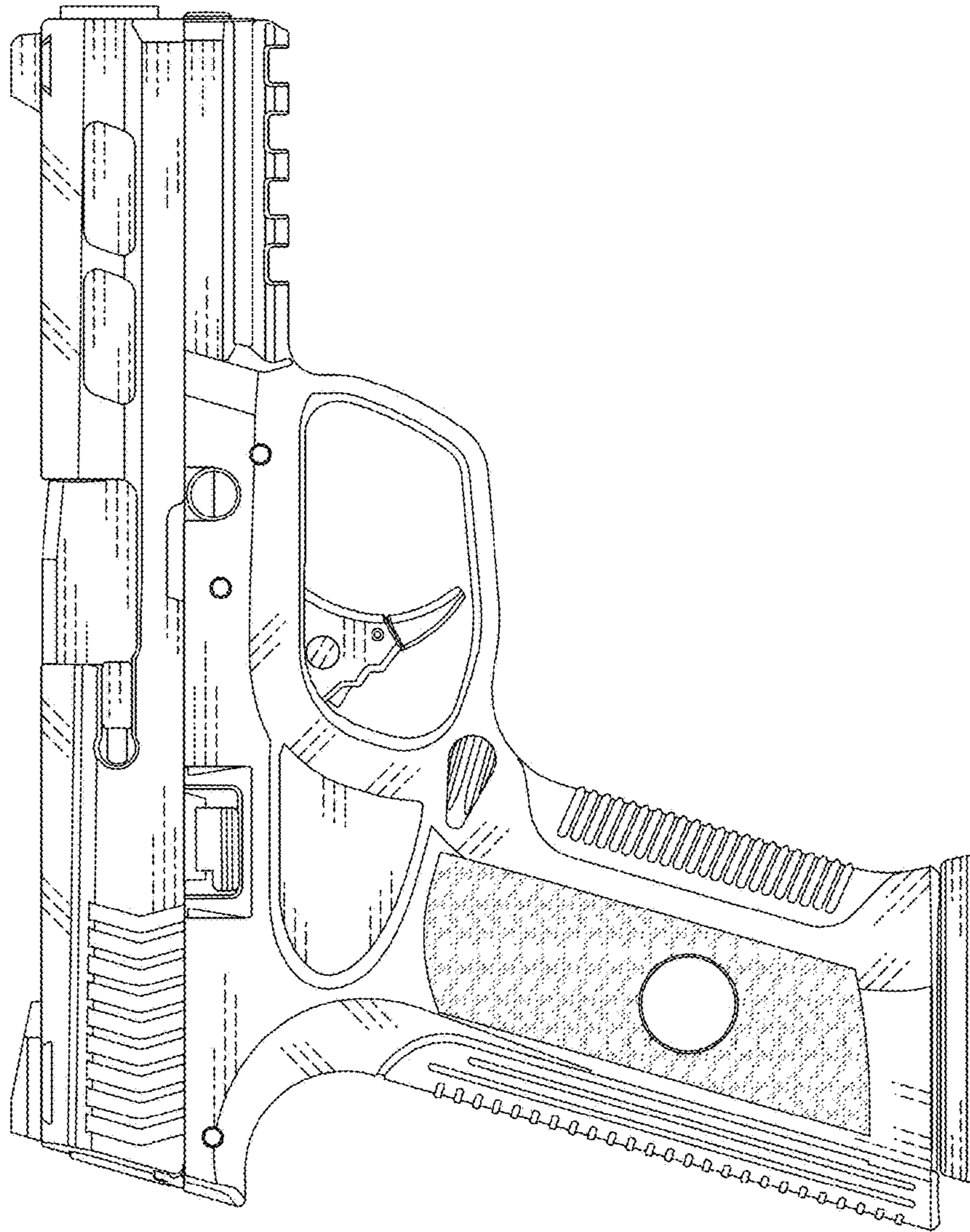


FIG. 5

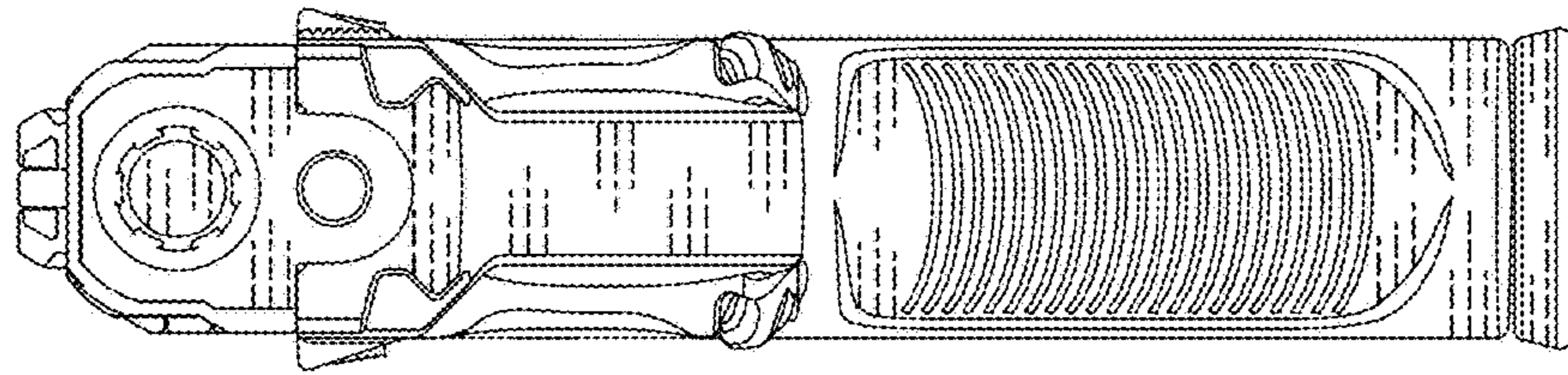


FIG. 6

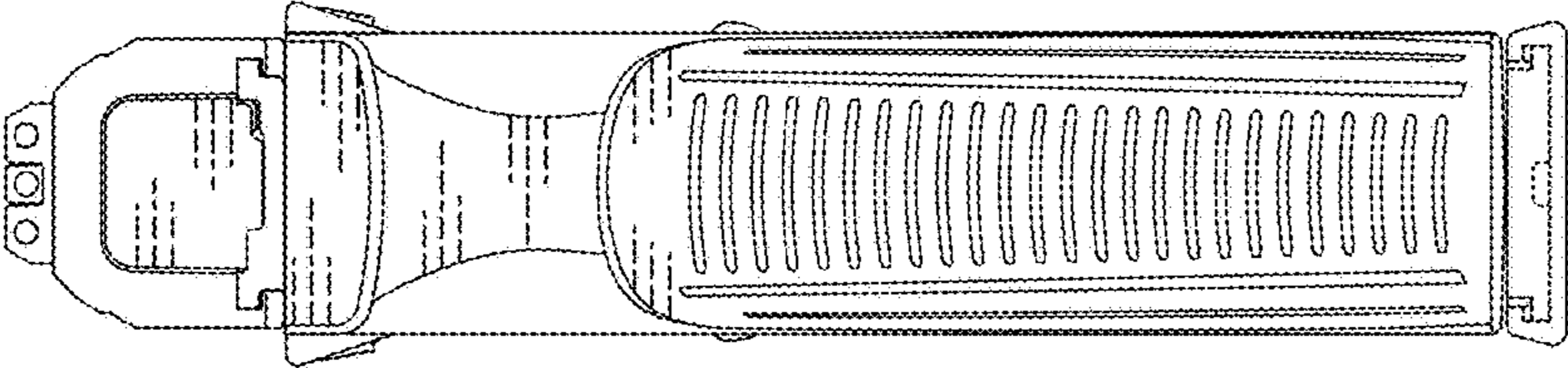


FIG. 7



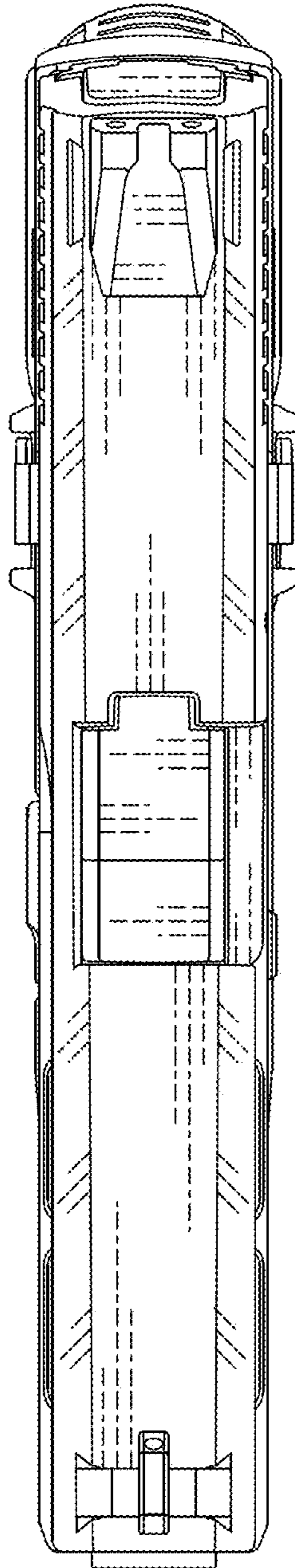


FIG. 8

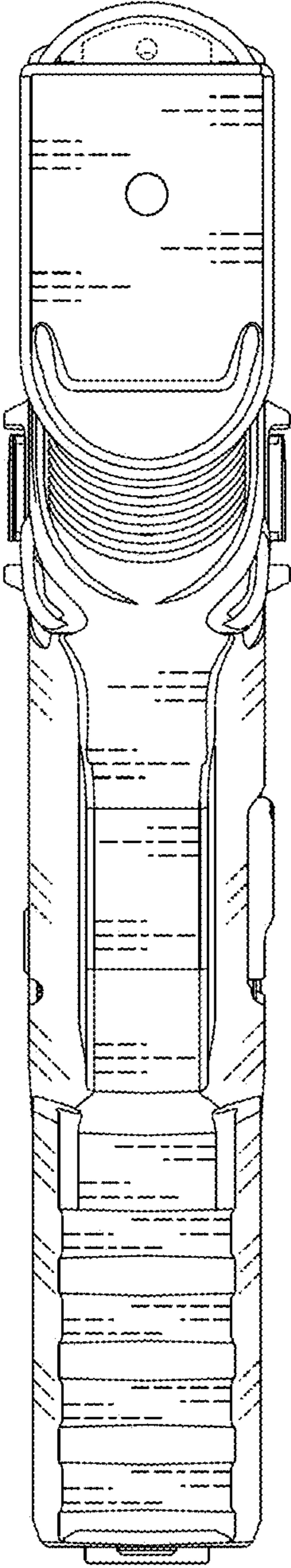


FIG. 9