



US00D830476S

(12) **United States Design Patent** (10) **Patent No.:** **US D830,476 S**
Barse (45) **Date of Patent:** **** Oct. 9, 2018**

(54) **REMOTE-CONTROLLED TOY**

(56) **References Cited**

(71) Applicant: **PARROT DRONES**, Paris (FR)

U.S. PATENT DOCUMENTS

(72) Inventor: **Thomas Barse**, Paris (FR)

D772,991 S *	11/2016	Caubel	D12/16.1
D783,727 S *	4/2017	Xiao	D21/441
D785,717 S *	5/2017	Xiao	D21/441
D793,482 S *	8/2017	Wang	D12/16.1
D796,586 S *	9/2017	Chen	D12/16.1
D798,961 S *	10/2017	Li	D21/441
D798,962 S *	10/2017	Xiao	D21/441
D798,963 S *	10/2017	Xiao	D21/441

(**) Term: **15 Years**

(21) Appl. No.: **35/502,423**

(22) Filed: **Dec. 21, 2016**

* cited by examiner

(80) **Hague Agreement Data**

Int. Filing Date: **Dec. 21, 2016**

Primary Examiner — Zenia I Bennett

Int. Reg. No.: **DM/094475**

Int. Reg. Date: **Dec. 21, 2016**

Int. Reg. Pub. Date: **Feb. 10, 2017**

(57) **CLAIM**

(30) **Foreign Application Priority Data**

The ornamental design of a remote-controlled toy, as shown and described.

Jun. 22, 2016 (EM) 003233584-0001

Jun. 22, 2016 (EM) 003233584-0005

Sep. 2, 2016 (EM) 003361815-0001

Sep. 2, 2016 (EM) 003361815-0002

(51) **LOC (11) Cl.** **21-01**

(52) **U.S. Cl.**

USPC **D21/491**

(58) **Field of Classification Search**

USPC D21/436, 438, 440-443, 446-451, 453;

D12/16.1, 319-345

CPC . B64C 39/024; B64C 27/32; B64C 2201/024;

B64C 27/12; B64C 39/00; B64C 27/08

See application file for complete search history.

DESCRIPTION

1. Remote-controlled toy

1.1 : Front

1.2 : Back

1.3 : Left

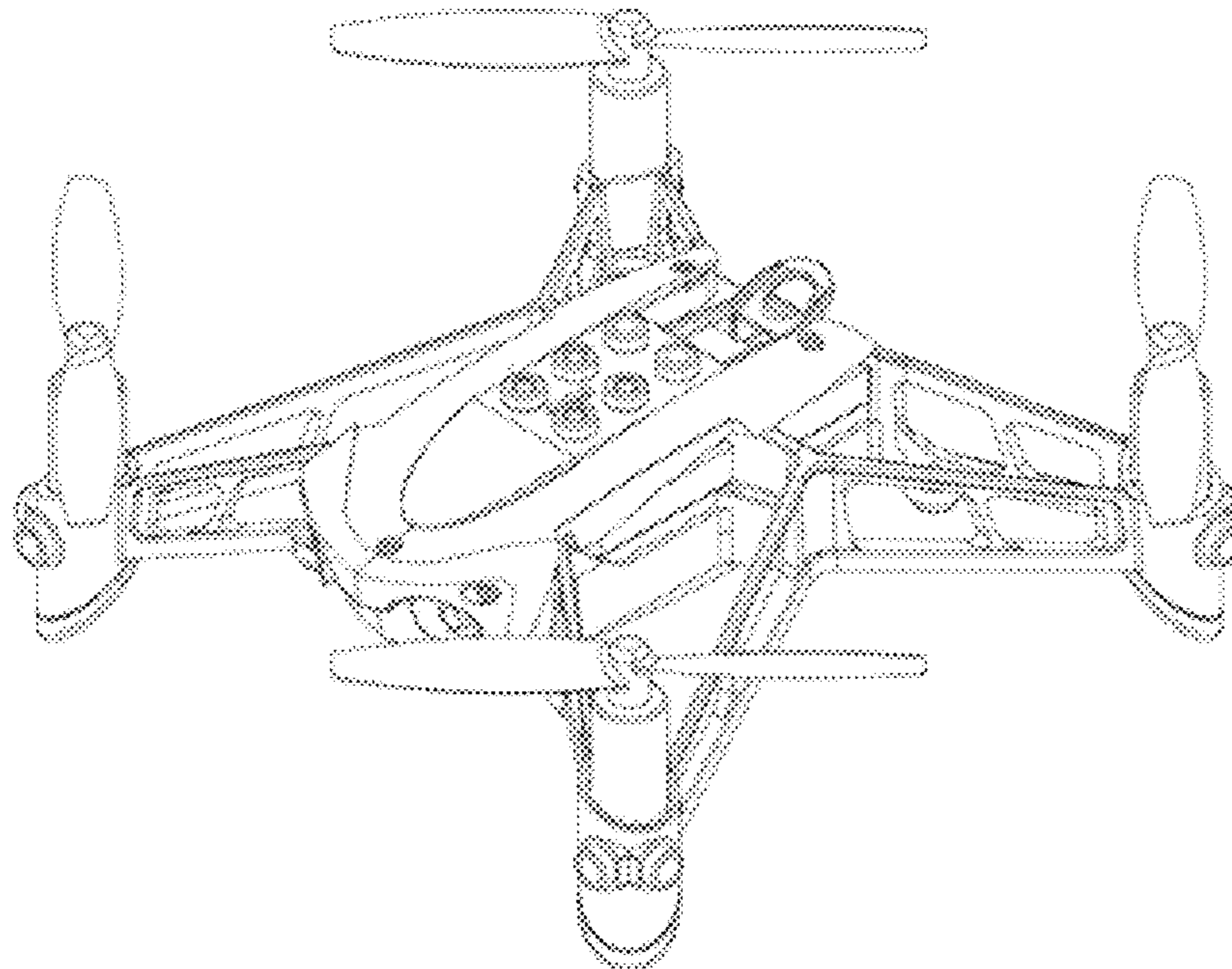
1.4 : Right

1.5 : Top

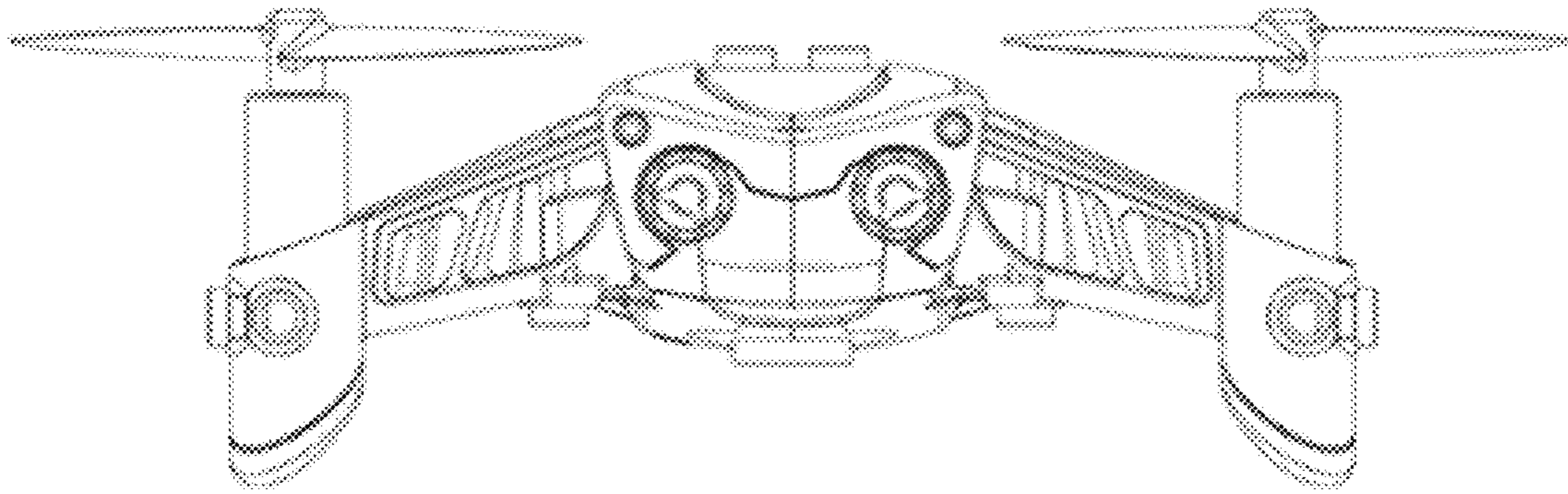
1.6 : Bottom

1.7 : Perspective

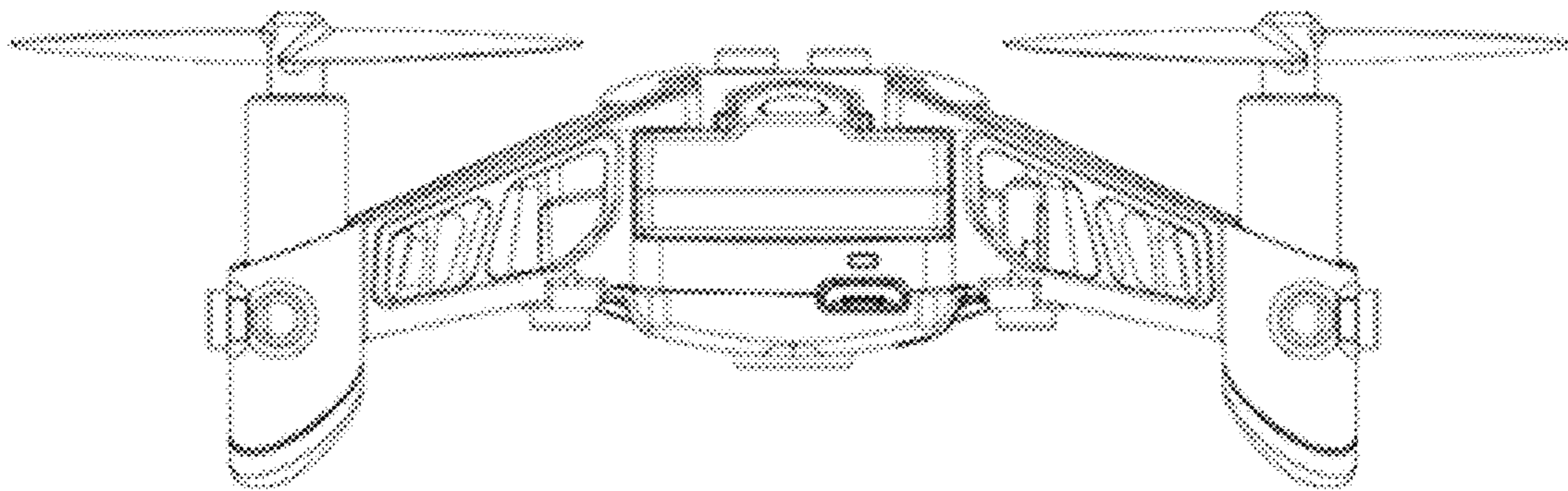
1 Claim, 7 Drawing Sheets



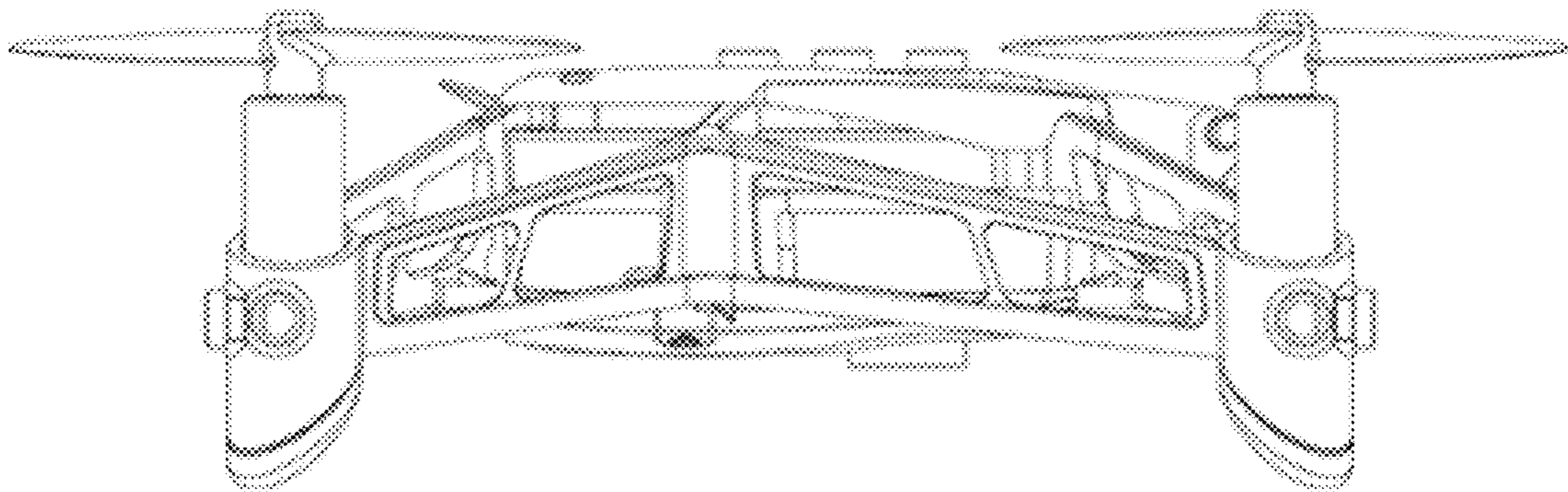
1.1



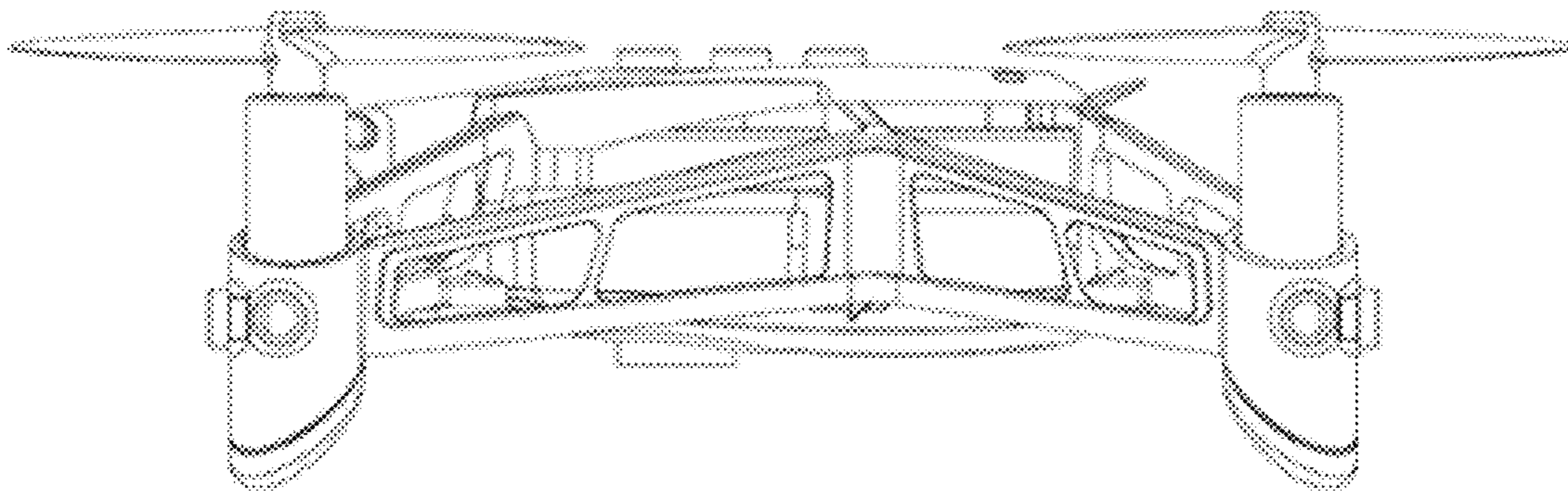
1.2



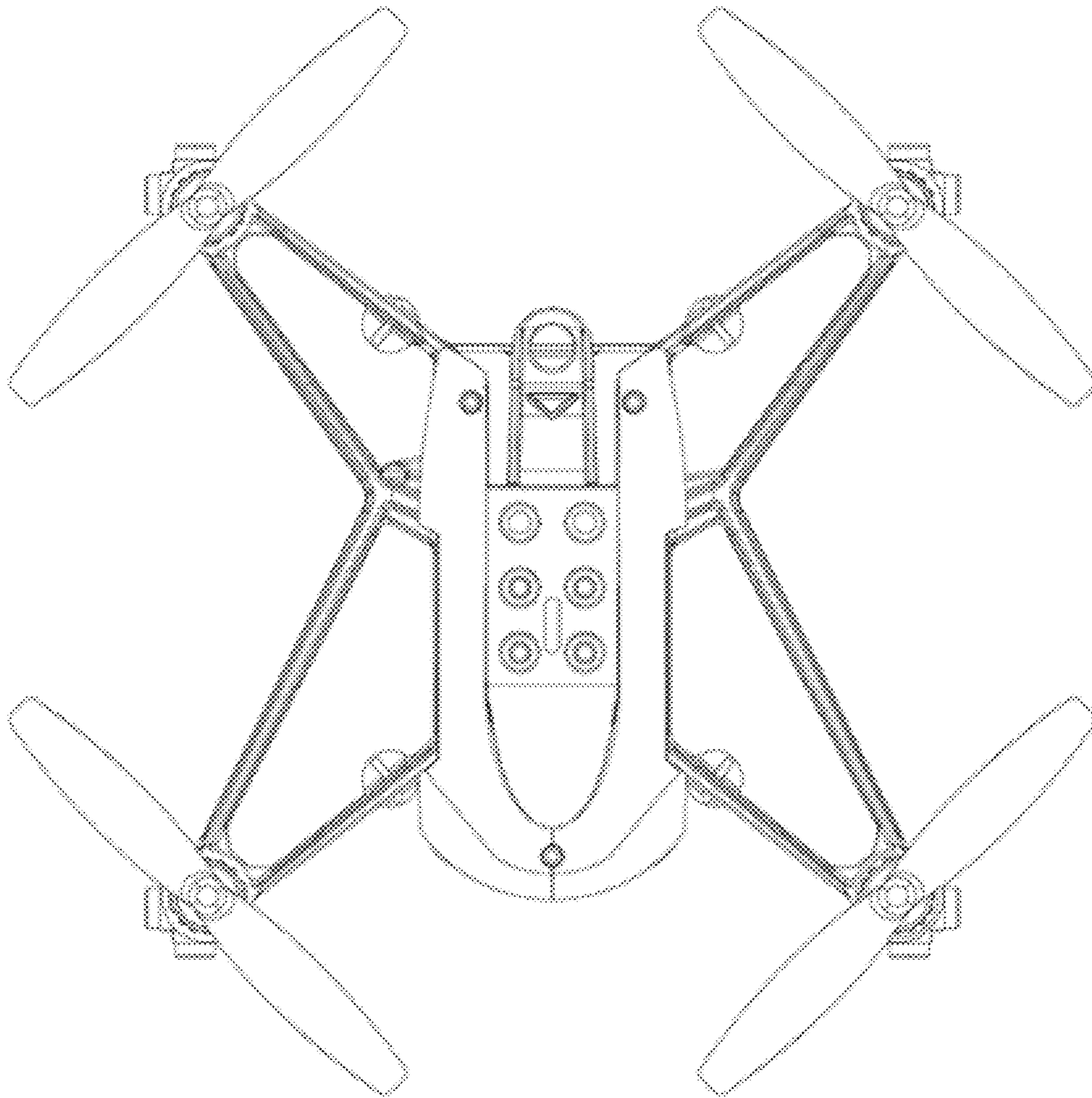
1.3



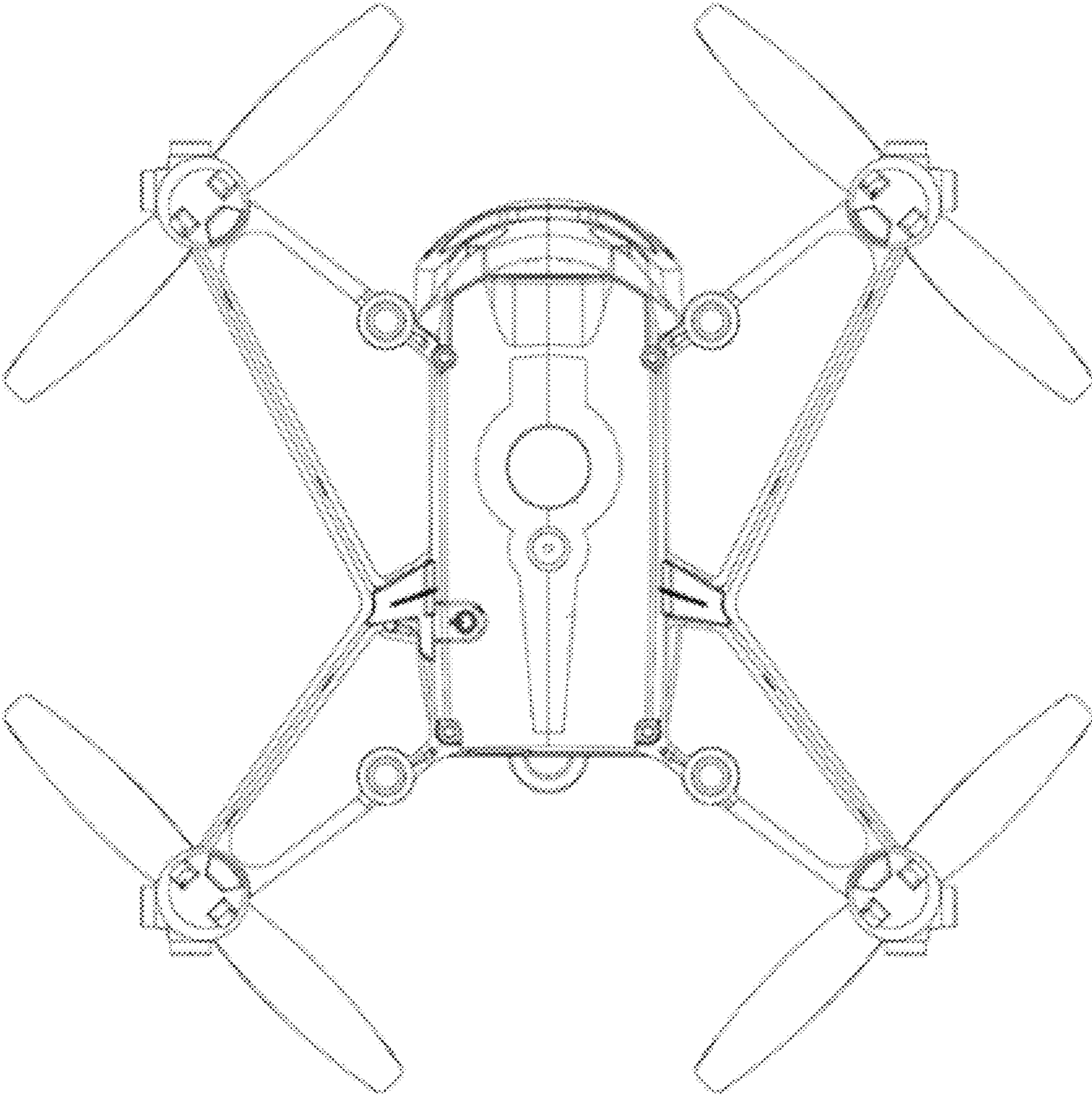
1.4



1.5



1.6



1.7

