



US00D830473S

(12) **United States Design Patent**  
**Holman**

(10) **Patent No.:** **US D830,473 S**  
(45) **Date of Patent:** **\*\* Oct. 9, 2018**

(54) **PLAY CONSTRUCTION KIT**

(71) Applicant: **Heroes Will Rise, Inc.**, Hope, RI (US)

(72) Inventor: **Cas Holman**, Hope, RI (US)

(73) Assignee: **HEROES WILL RISE, INC.**, Hope, RI (US)

(\*\*) Term: **15 Years**

(21) Appl. No.: **29/606,565**

(22) Filed: **Jun. 13, 2017**

(51) **LOC (11) Cl.** ..... **21-01**

(52) **U.S. Cl.**  
USPC ..... **D21/484**

(58) **Field of Classification Search**  
USPC ..... D21/333, 373, 386, 389, 404, 468, 470,  
D21/471, 475, 484-505; 446/69, 85,  
(Continued)

(56) **References Cited**

U.S. PATENT DOCUMENTS

- 810,148 A \* 1/1906 Hornby ..... B60B 37/04  
212/345
- 1,166,688 A \* 1/1916 Hornby ..... E04B 1/1903  
182/222

(Continued)

*Primary Examiner* — Cynthia M. Chin

(74) *Attorney, Agent, or Firm* — Joseph D. Hodler

(57) **CLAIM**

The ornamental design for a play construction kit, as shown and described.

**DESCRIPTION**

FIG. 1 is a top, front, right isometric view of a first part of the play construction kit;

FIG. 2 is an enlarged front view of FIG. 1, the rear view being a mirror image thereof;

FIG. 3 is a top view of FIG. 1, the bottom view being a mirror image thereof;

FIG. 4 is a right view of FIG. 1, the left view being a mirror image thereof;

FIG. 5 is a top, front, right isometric view of a second part of the play construction kit;

FIG. 6 is an enlarged front view of FIG. 5, the rear view being a mirror image thereof;

FIG. 7 is a top view of FIG. 5, the bottom view being a mirror image thereof;

FIG. 8 is a right view of FIG. 5, the left view being a mirror image thereof;

FIG. 9 is a top, front, right isometric view of a third part of the play construction kit;

FIG. 10 is an enlarged front view of FIG. 9, the rear view being a mirror image thereof;

FIG. 11 is a top view of FIG. 9;

FIG. 12 is a bottom view of FIG. 9;

FIG. 13 is a left view of FIG. 9; the right view being a mirror image thereof;

FIG. 14 is a top, front, right isometric view of a fourth part of the play construction kit;

FIG. 15 is an enlarged front view of FIG. 14; the rear view being a mirror image thereof;

FIG. 16 is a top view of FIG. 14;

FIG. 17 is a bottom view of FIG. 14;

FIG. 18 is a left view of FIG. 14, the right view being a mirror image thereof;

FIG. 19 is a top, front, left isometric view of a fifth part of the play construction kit;

FIG. 20 is an enlarged front view of FIG. 19; the rear view being a mirror image thereof;

FIG. 21 is a top view of FIG. 19;

FIG. 22 is a bottom view of FIG. 19;

FIG. 23 is a left view of FIG. 19, the right view being a mirror image thereof;

FIG. 24 is a top, rear, right isometric view of a sixth part of the play construction kit;

FIG. 25 is a top view of FIG. 24;

FIG. 26 is a bottom view of FIG. 24;

FIG. 27 is a top, front, left isometric view of a seventh part of the play construction kit;

(Continued)

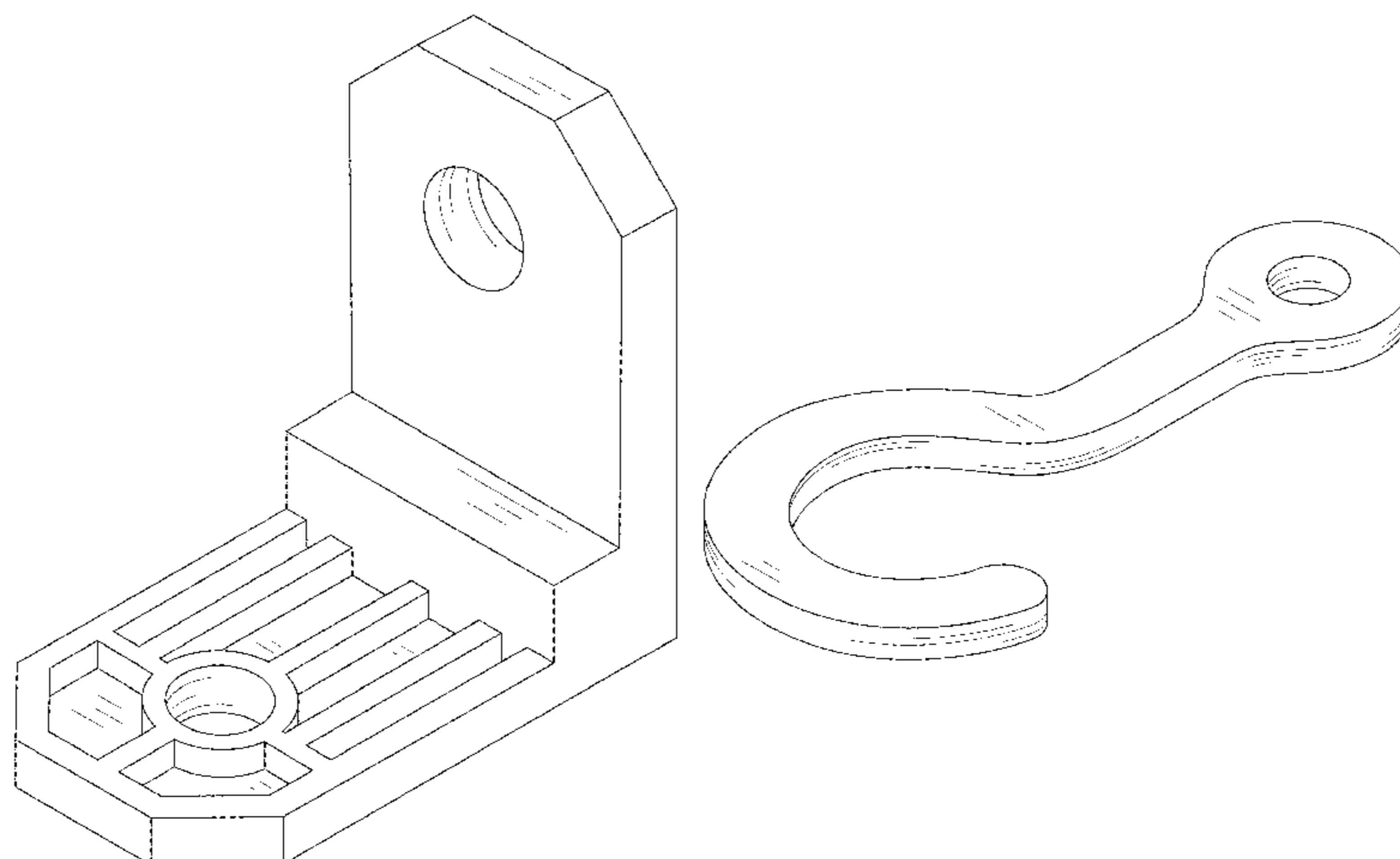


FIG. 28 is a right view of FIG. 27, the left view being a mirror image thereof;  
 FIG. 29 is a front view of FIG. 27;  
 FIG. 30 is a bottom view of FIG. 27;  
 FIG. 31 is a rear view of FIG. 27, the portions of the article shown in broken lines form no part of the claimed design;  
 FIG. 32 is a top view of FIG. 27;  
 FIG. 33 is a top, front, left isometric view of an eighth part of the play construction kit;  
 FIG. 34 is a top view of FIG. 33, the bottom view being a mirror image thereof;  
 FIG. 35 is a left view of FIG. 33, the right view being a mirror image thereof;  
 FIG. 36 is a top, front, left isometric view of a ninth part of the play construction kit;  
 FIG. 37 is a top view of FIG. 36, the bottom view being a mirror image thereof;  
 FIG. 38 is a left view of FIG. 36, the right view being a mirror image thereof;  
 FIG. 39 is a top, front, left isometric view of a tenth part of the play construction kit;  
 FIG. 40 is a rear view of FIG. 39;  
 FIG. 41 is a top view of FIG. 39, the bottom view being a mirror image thereof;  
 FIG. 42 is a left view of FIG. 39, the right view being a mirror image thereof;  
 FIG. 43 is a top, front, left isometric view of an eleventh part of the play construction kit, the portions of the article shown in broken lines form no part of the claimed design;  
 FIG. 44 is a top view of FIG. 43;  
 FIG. 45 is a left view of FIG. 43, the right view being a mirror image thereof;  
 FIG. 46 is a bottom view of FIG. 42, the portions of the article shown in broken lines form no part of the claimed design;  
 FIG. 47 is a top, front, right isometric view of a twelfth part of the play construction kit;  
 FIG. 48 is a right view of FIG. 47;  
 FIG. 49 is a front view of FIG. 47; the rear view being a mirror image thereof;  
 FIG. 50 is a top, front, left isometric view of a thirteenth part of the play construction kit;  
 FIG. 51 is an enlarged rear view of FIG. 50;  
 FIG. 52 is an enlarged front view of FIG. 50;  
 FIG. 53 is a top view of FIG. 50, the bottom view being a mirror image thereof;  
 FIG. 54 is a top, front, left isometric view of a fourteenth part of the play construction kit;  
 FIG. 55 is a top view of FIG. 54, the bottom view being a mirror image thereof;  
 FIG. 56 is a left view of FIG. 57; and,

FIG. 57 is a left, front, bottom isometric view of the fourth part of the play construction kit shown in an exemplary assembly. The broken lines represent an exemplary arrangement in which the article resides and forms no part of the claim.

The fourteen parts from the play construction kit are shown separately for ease and clarity of illustration.

**1 Claim, 31 Drawing Sheets**

(58) **Field of Classification Search**

USPC ..... 446/102-128; 434/167, 208, 259, 403;  
 273/153, 156, 160  
 CPC ..... A63H 33/04; A63H 33/06; A63H 33/062;  
 A63H 33/08; A63H 33/086; A63H  
 33/088; A63H 33/10; A63H 33/101;  
 A63H 33/108; A63H 33/12; A63F 9/12;  
 A63F 9/1224

See application file for complete search history.

(56) **References Cited**

U.S. PATENT DOCUMENTS

1,779,826	A *	10/1930	Potter	.....	A63H 33/06 446/116
1,996,722	A *	4/1935	Gilbert	.....	A63H 33/12 411/360
2,577,702	A *	12/1951	De Swart	.....	A63H 33/062 446/101
3,315,376	A *	4/1967	Nielsen	.....	G09B 1/40 434/160
3,355,837	A *	12/1967	Pedersen	.....	A63H 33/12 403/343
D258,830	S *	4/1981	Sigg	.....	D21/497
4,589,853	A *	5/1986	Hidvegi	.....	A63H 33/12 446/104
5,186,672	A *	2/1993	Tung	.....	A63F 9/0098 446/108
5,518,434	A *	5/1996	Ziegler	.....	A63H 33/062 403/4
5,816,882	A *	10/1998	Guegan	.....	A63H 33/12 446/113
6,190,231	B1 *	2/2001	Hoberman	.....	A63F 9/0819 446/104
8,210,898	B2 *	7/2012	Johnson	.....	A63F 9/0826 434/160
8,444,419	B2 *	5/2013	Driskell	.....	G09B 23/04 434/211
D685,861	S *	7/2013	Holman	.....	D21/484
D724,676	S *	3/2015	Winkelmann	.....	D21/484
9,550,130	B2 *	1/2017	Petty	.....	A63H 33/042
D786,364	S *	5/2017	Richards	.....	D21/484

\* cited by examiner

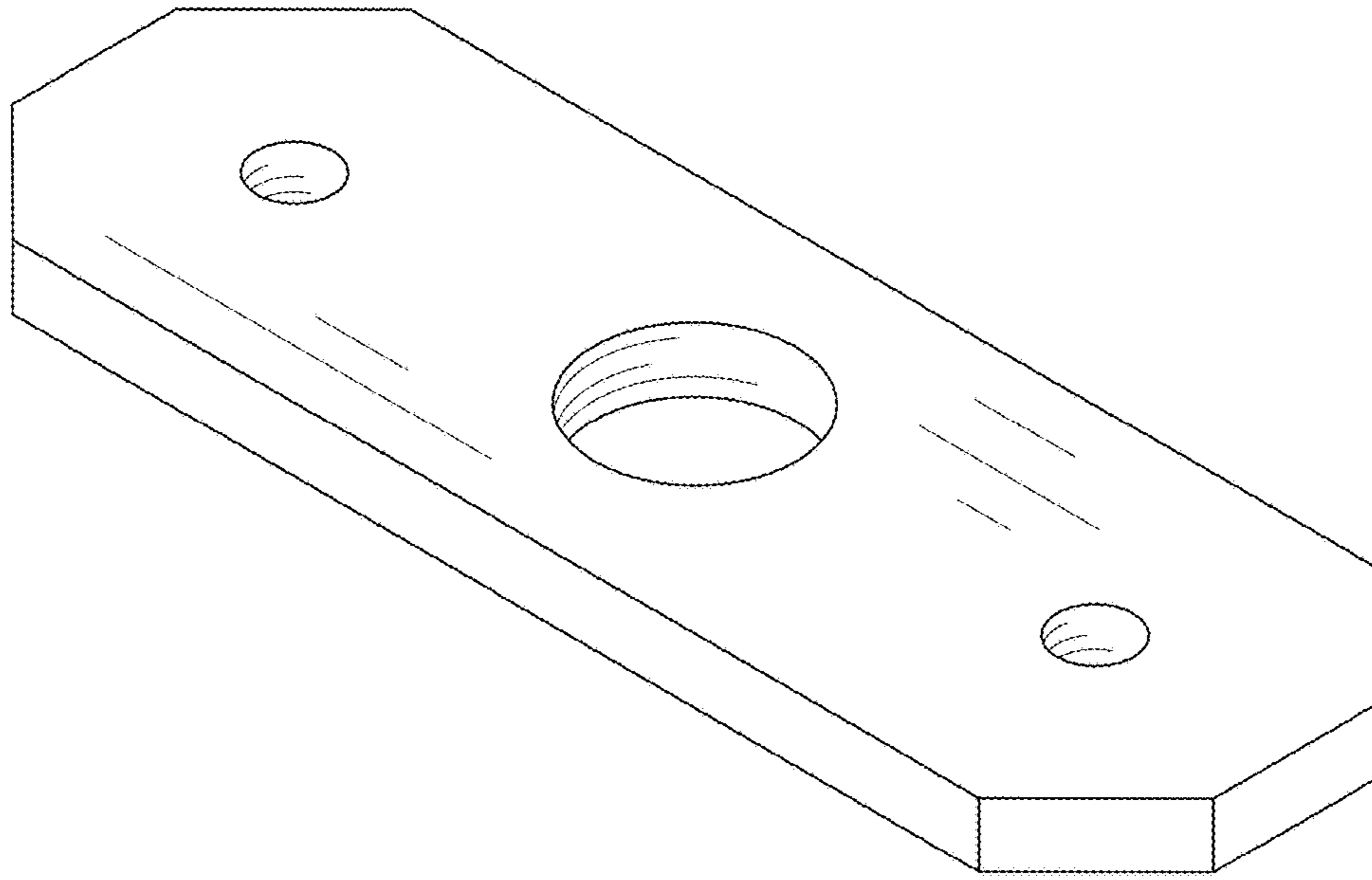


Fig 1



Fig 2

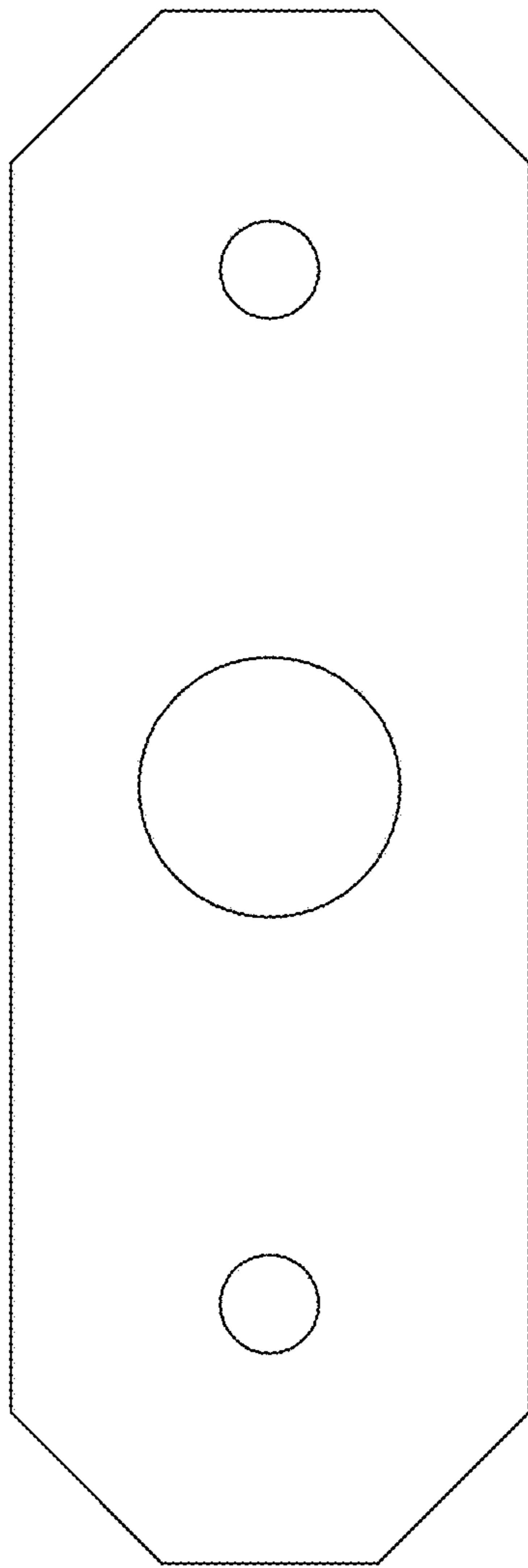


Fig 3

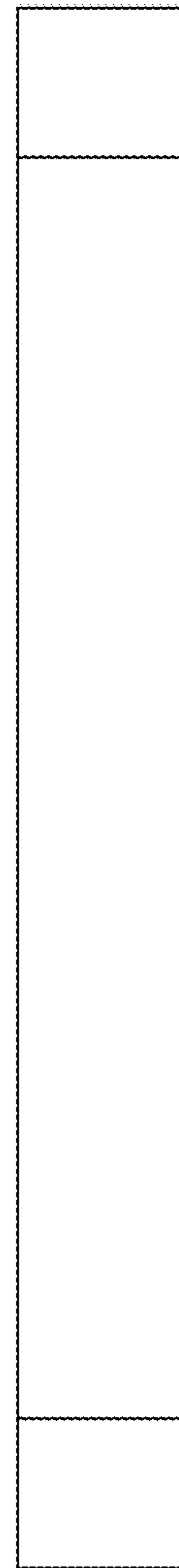


Fig 4

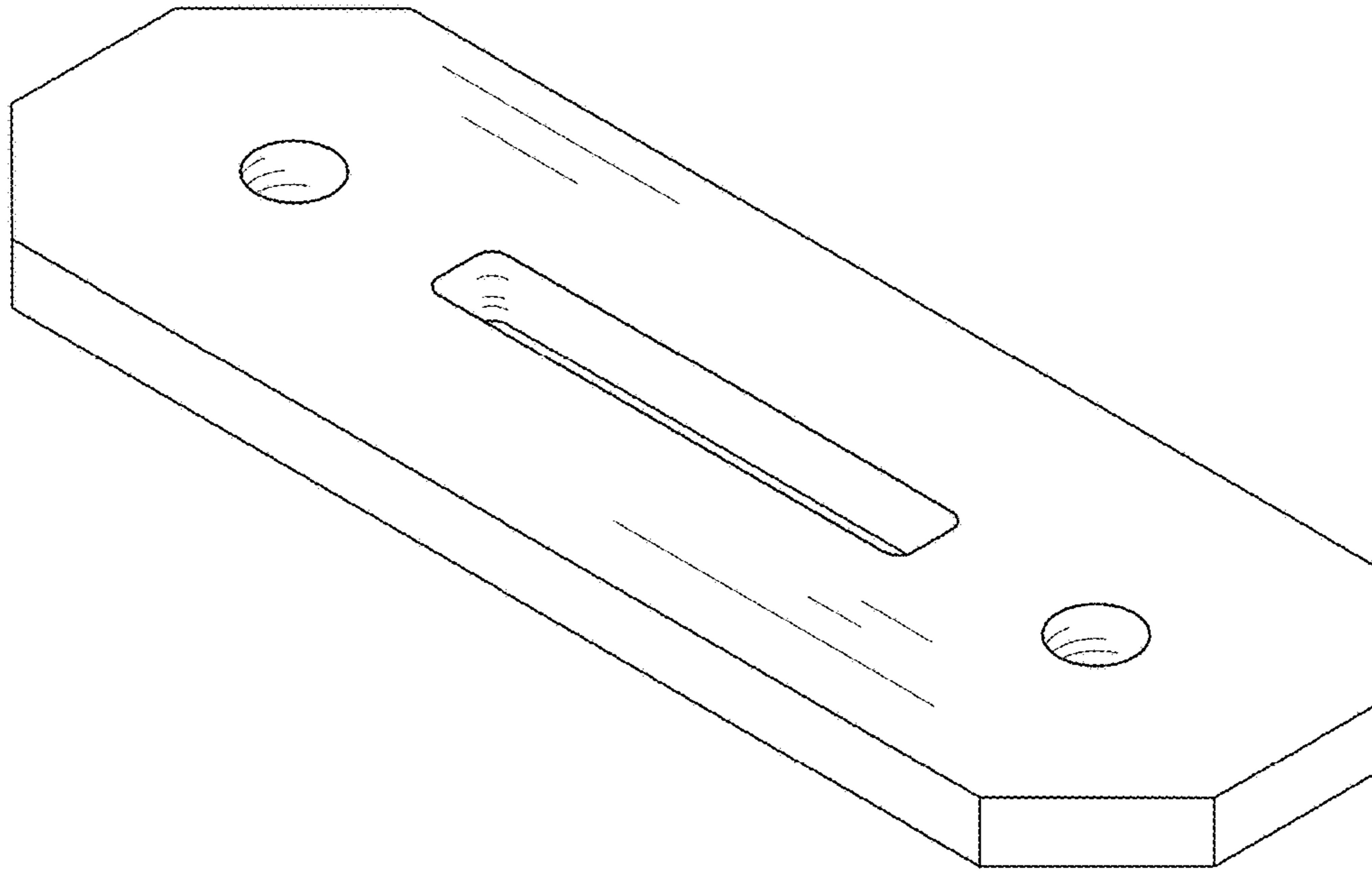


Fig 5

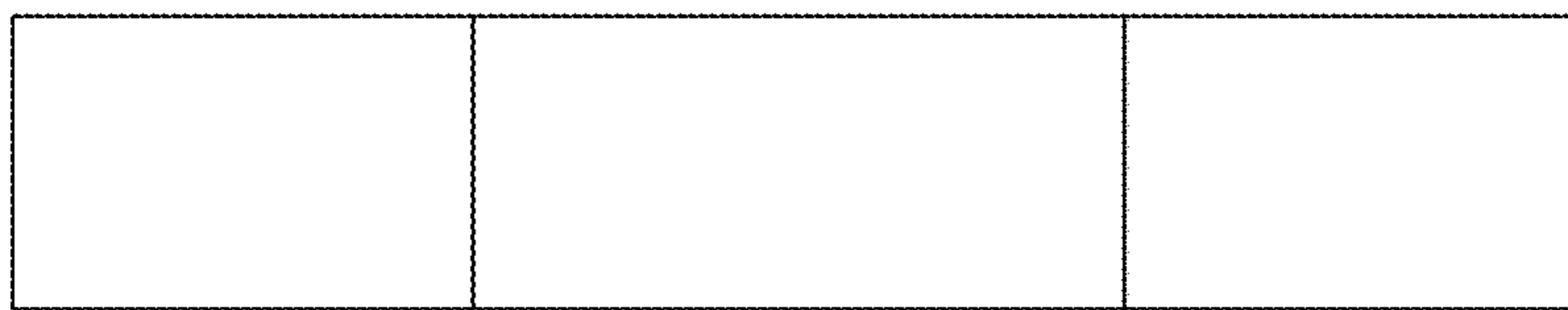


Fig 6

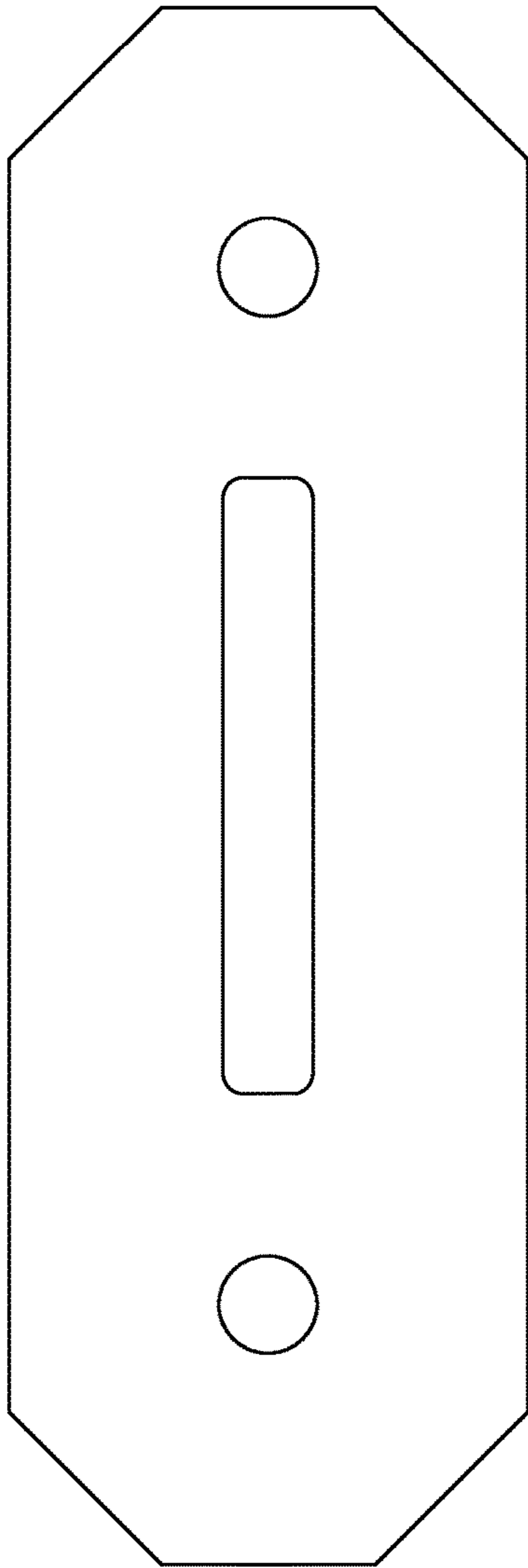


Fig 7



Fig 8

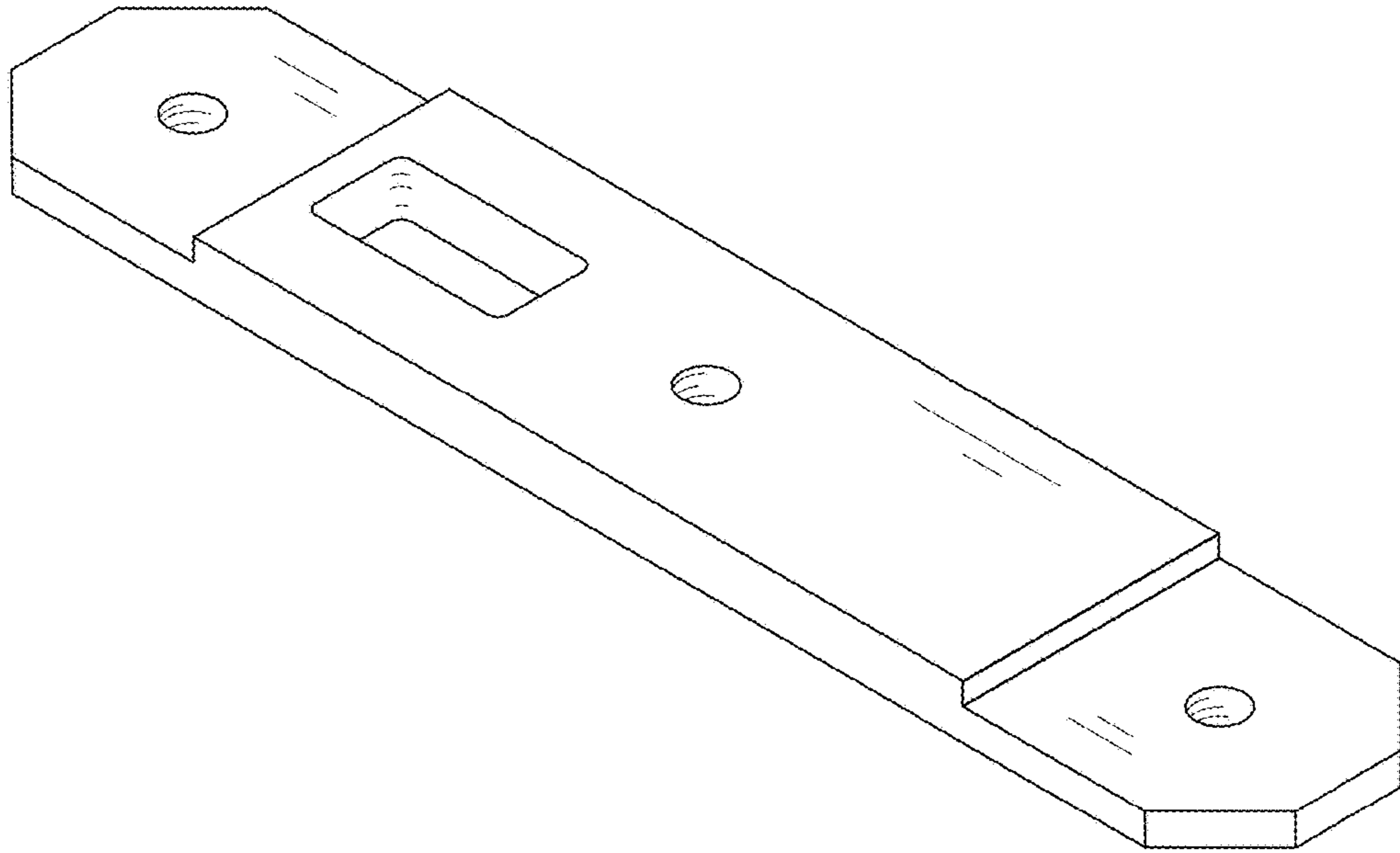


Fig 9

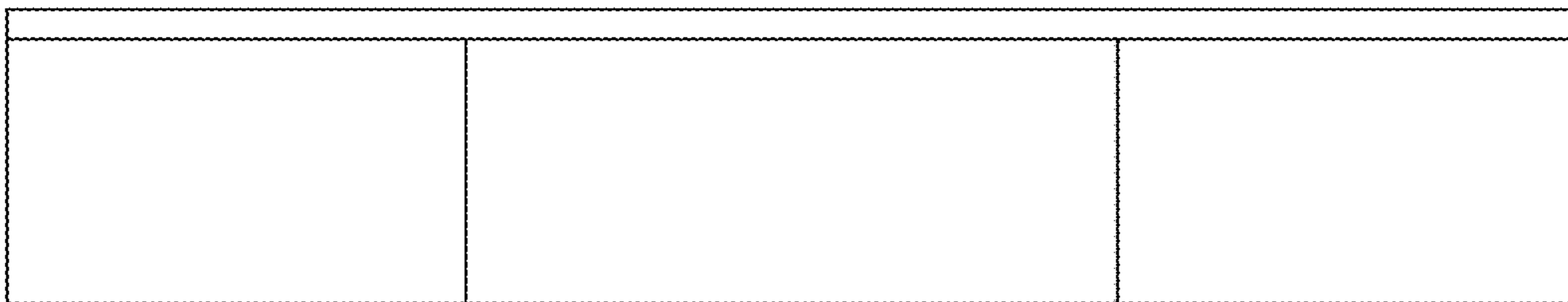


Fig 10

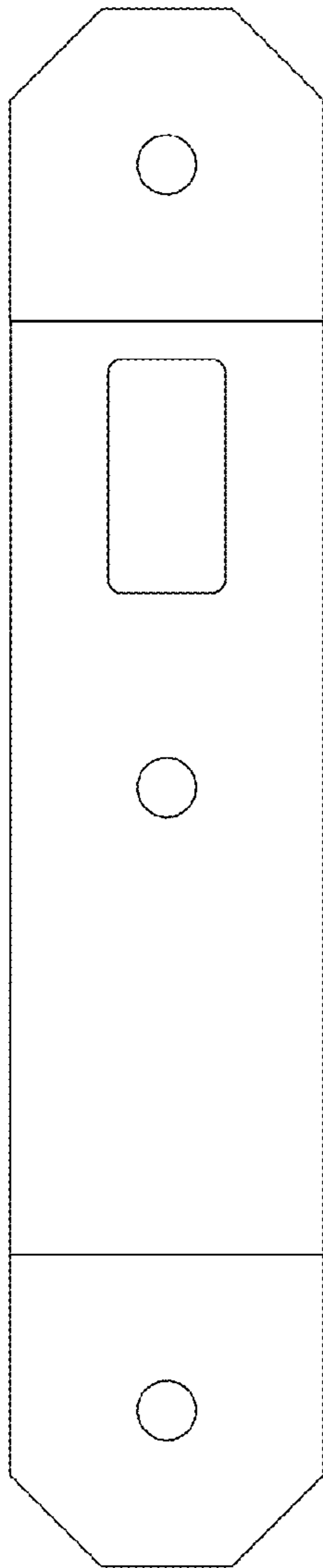


Fig 11

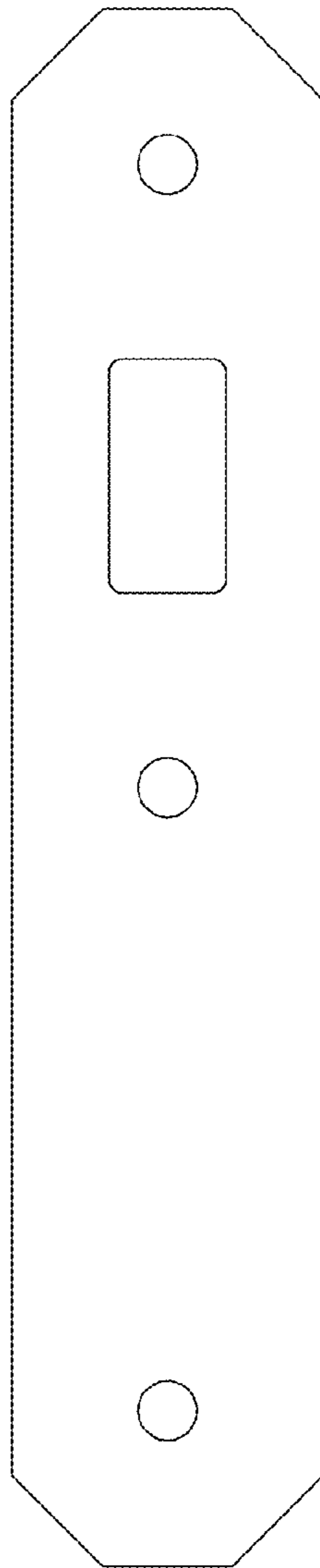


Fig 12



Fig 13



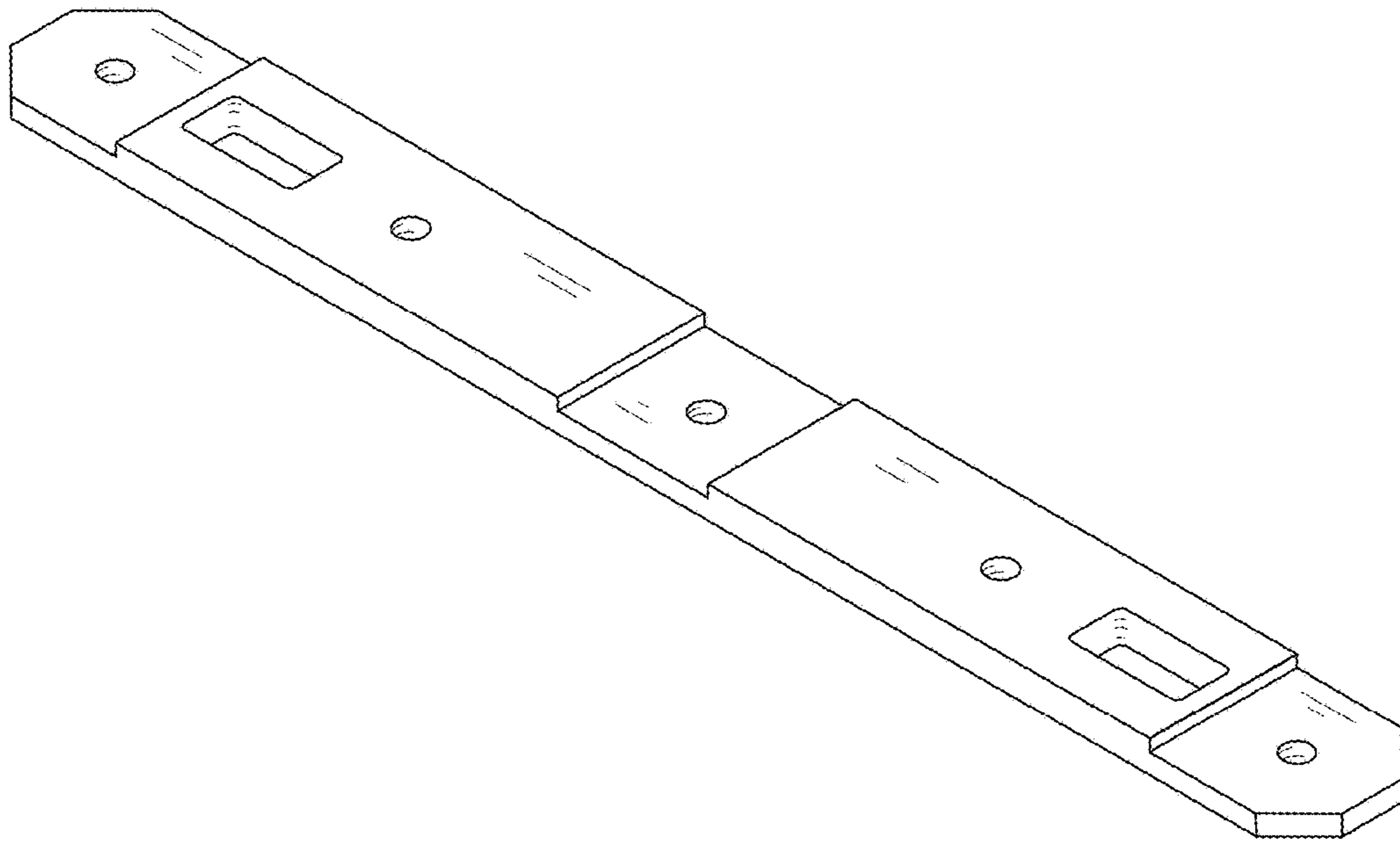


Fig 14

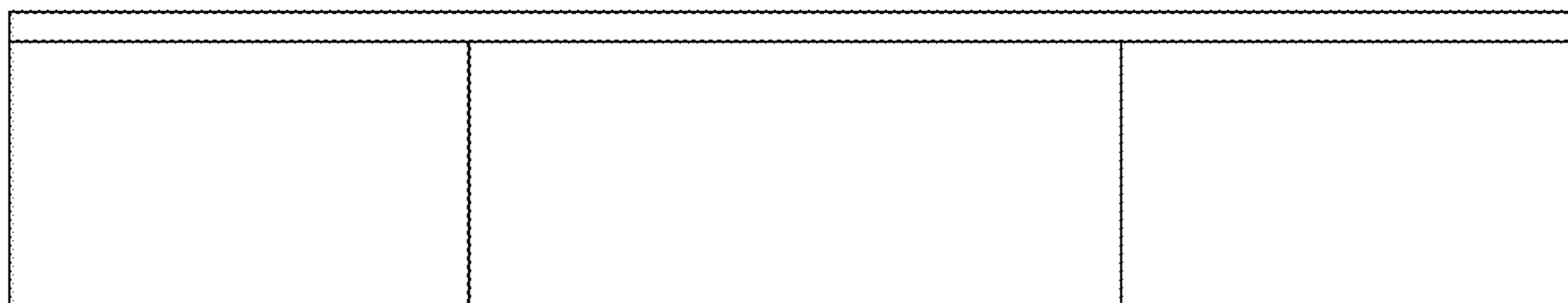


Fig 15

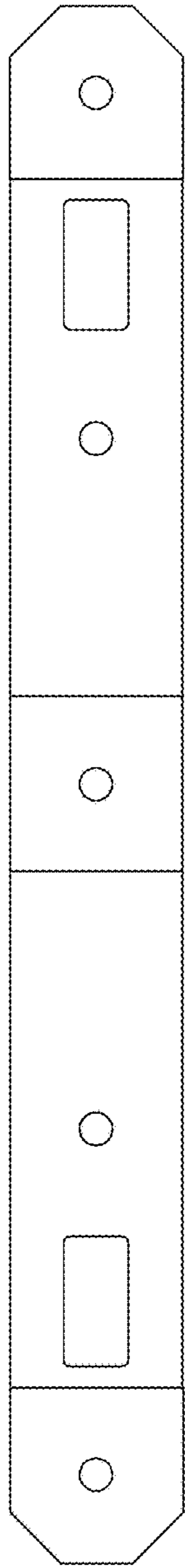


Fig 16

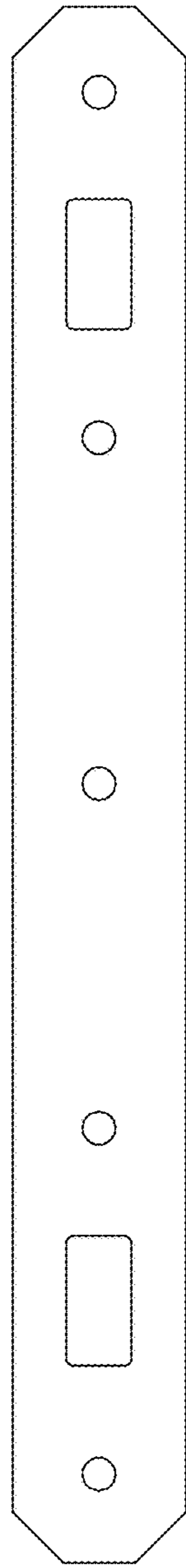


Fig 17

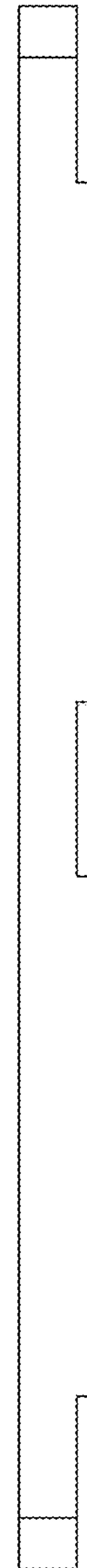


Fig 18

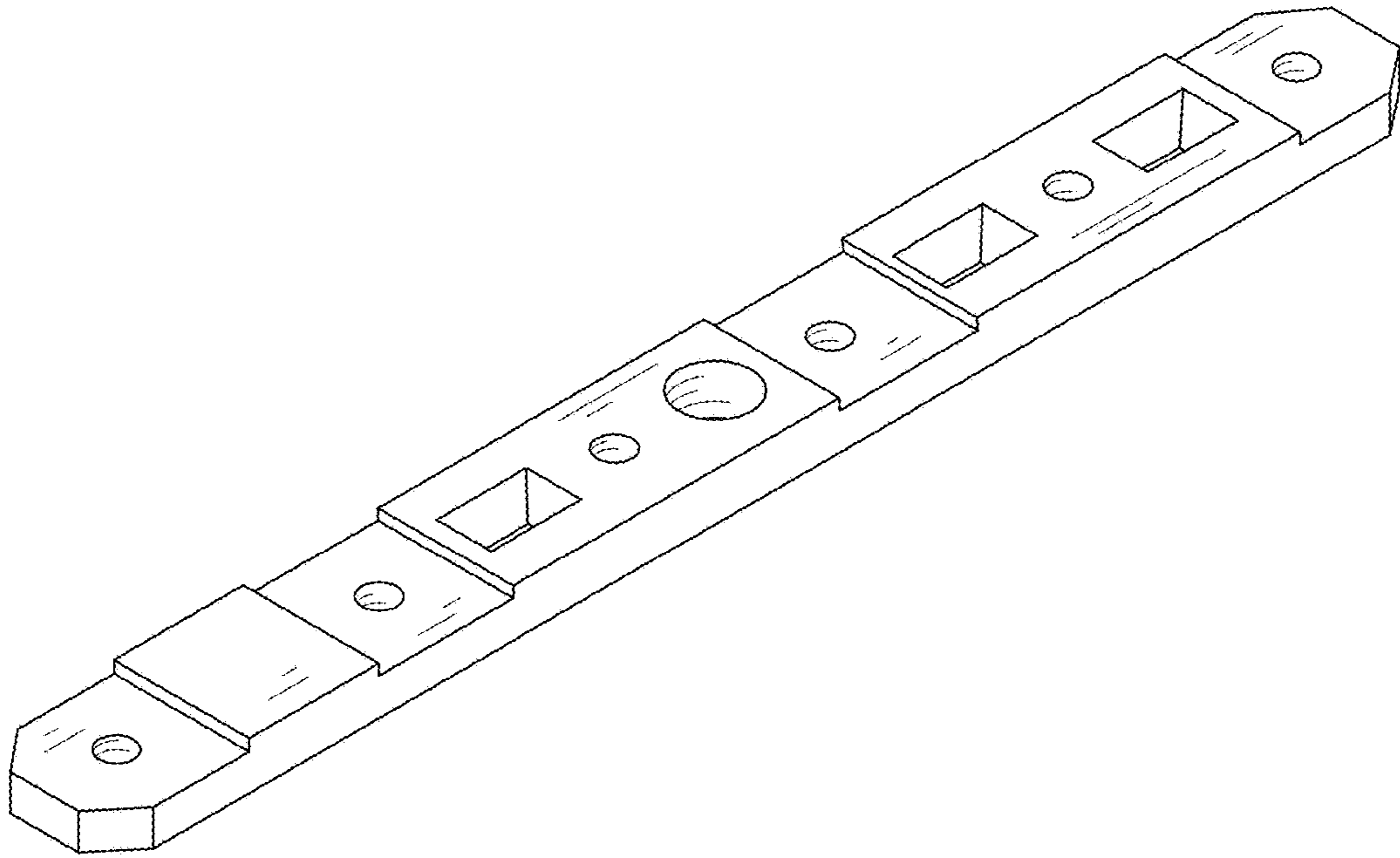


Fig 19

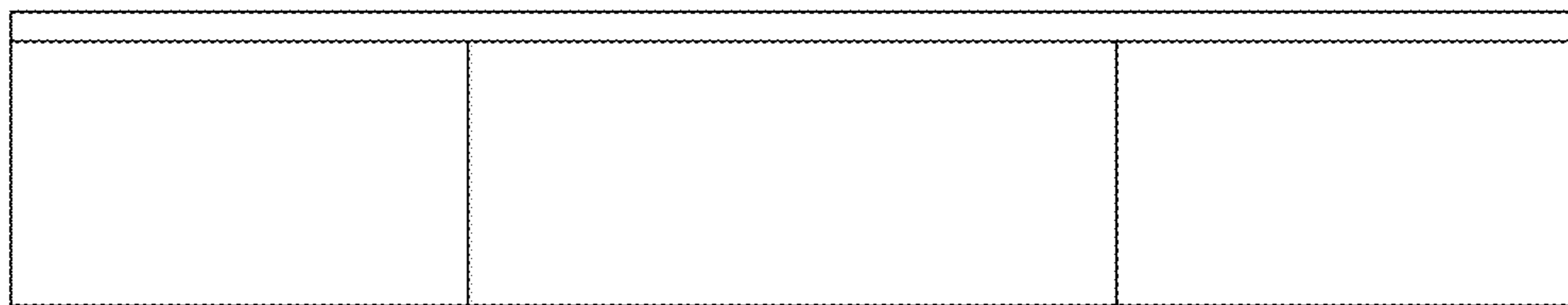


Fig 20

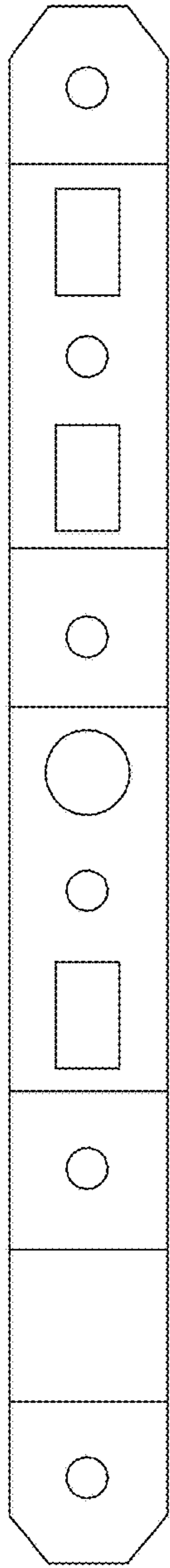


Fig 21

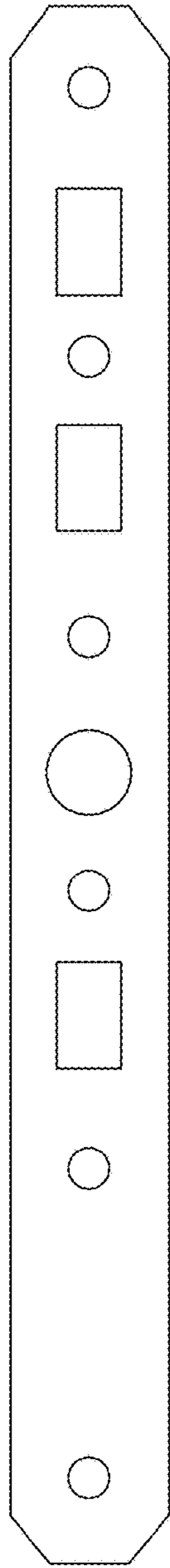


Fig 22

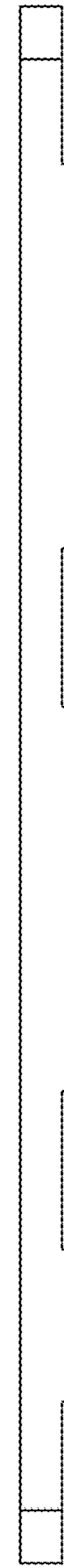


Fig 23

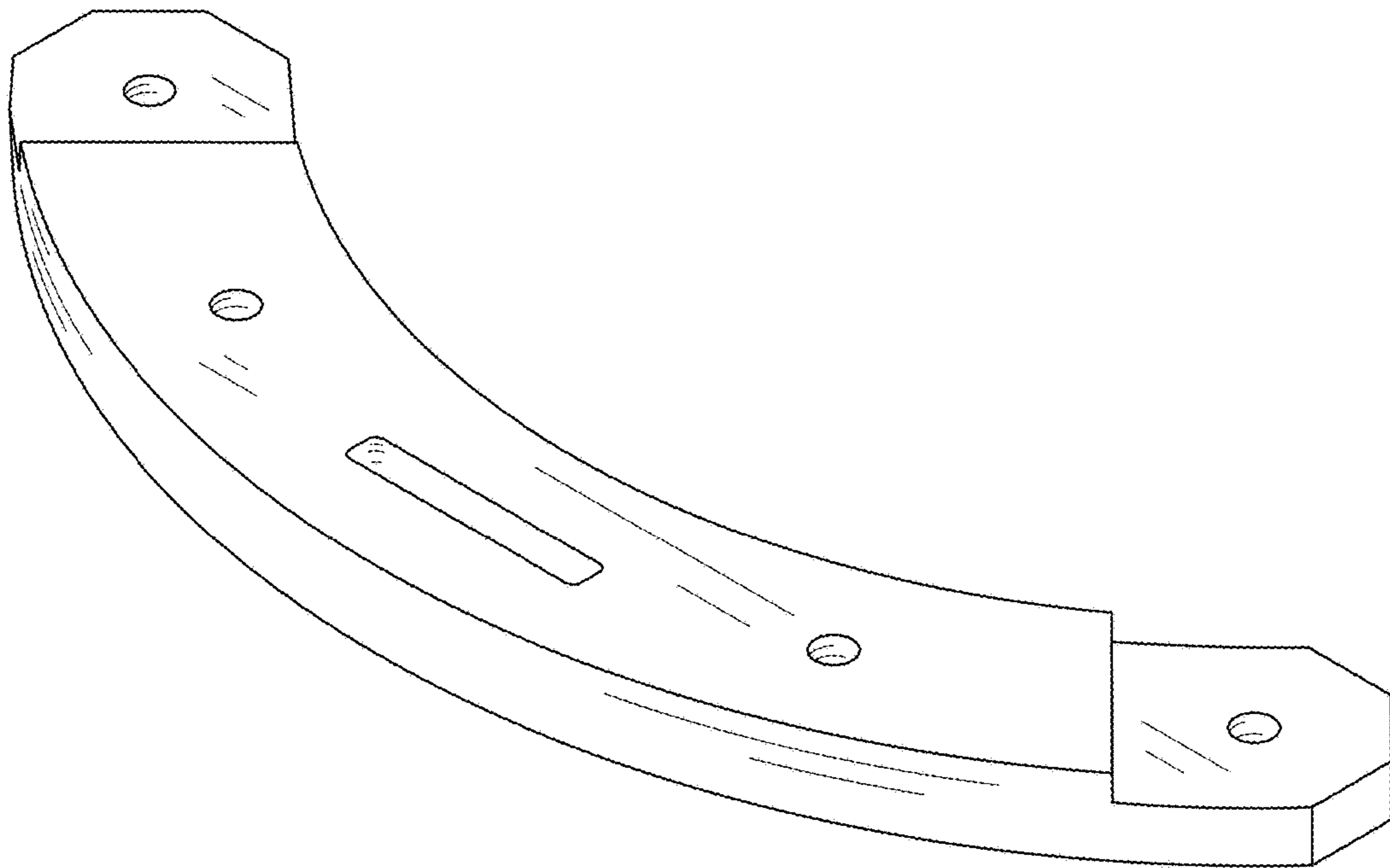


Fig 24

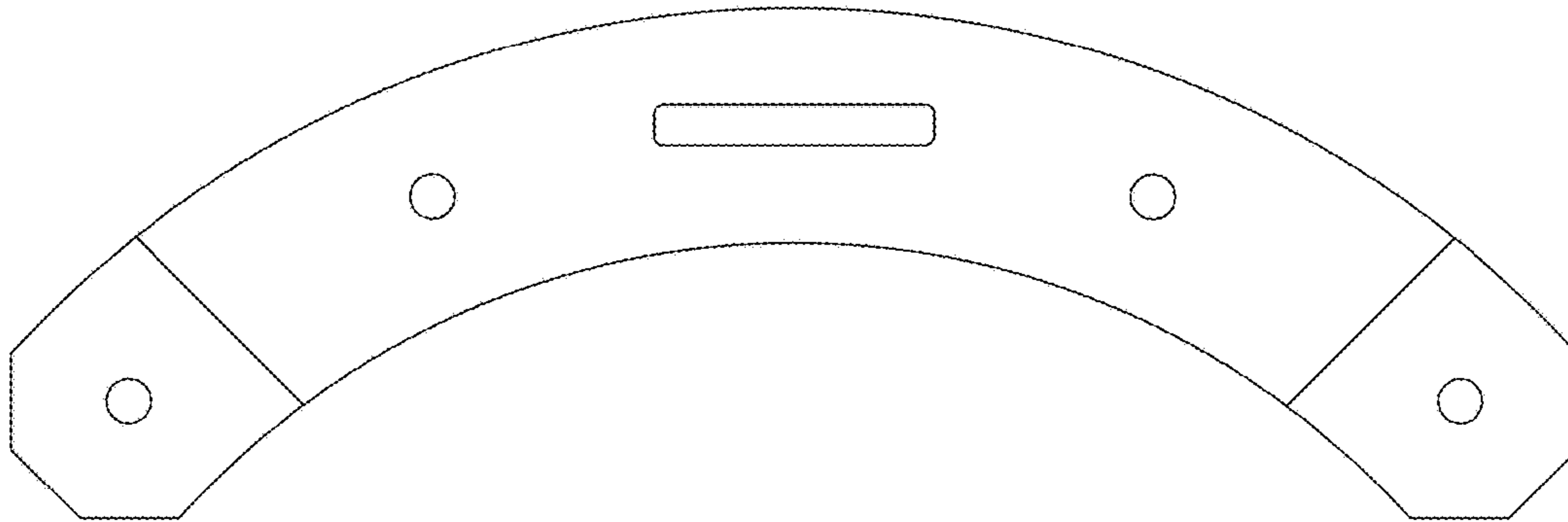


Fig 25

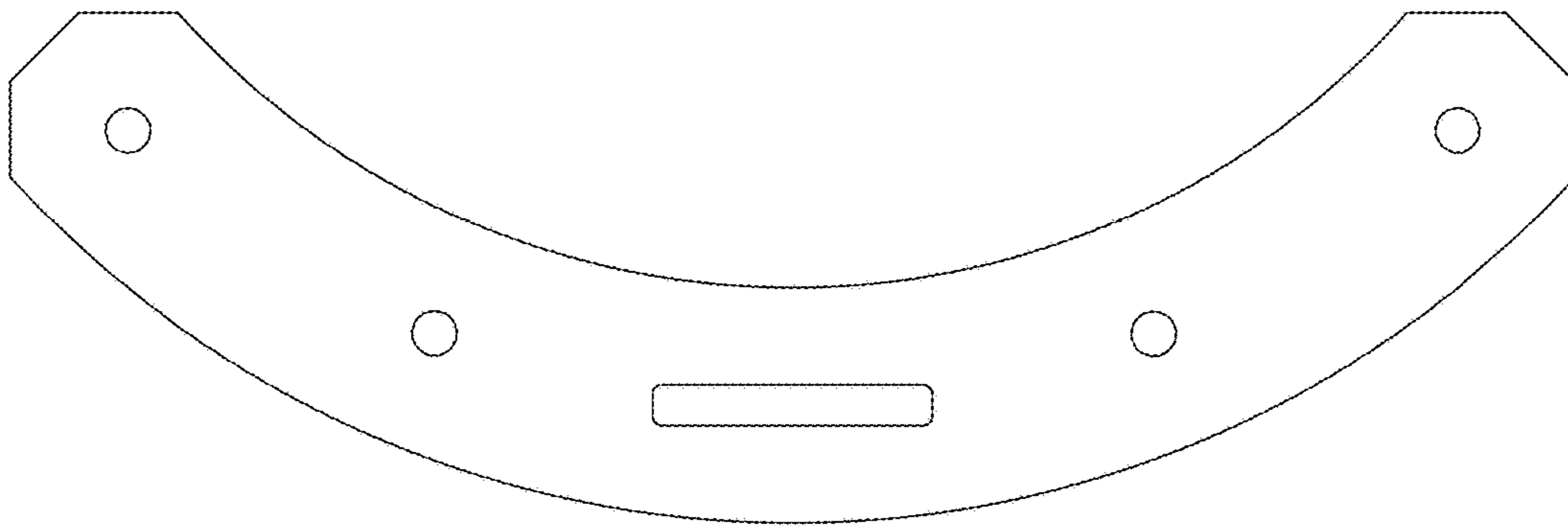


Fig 26

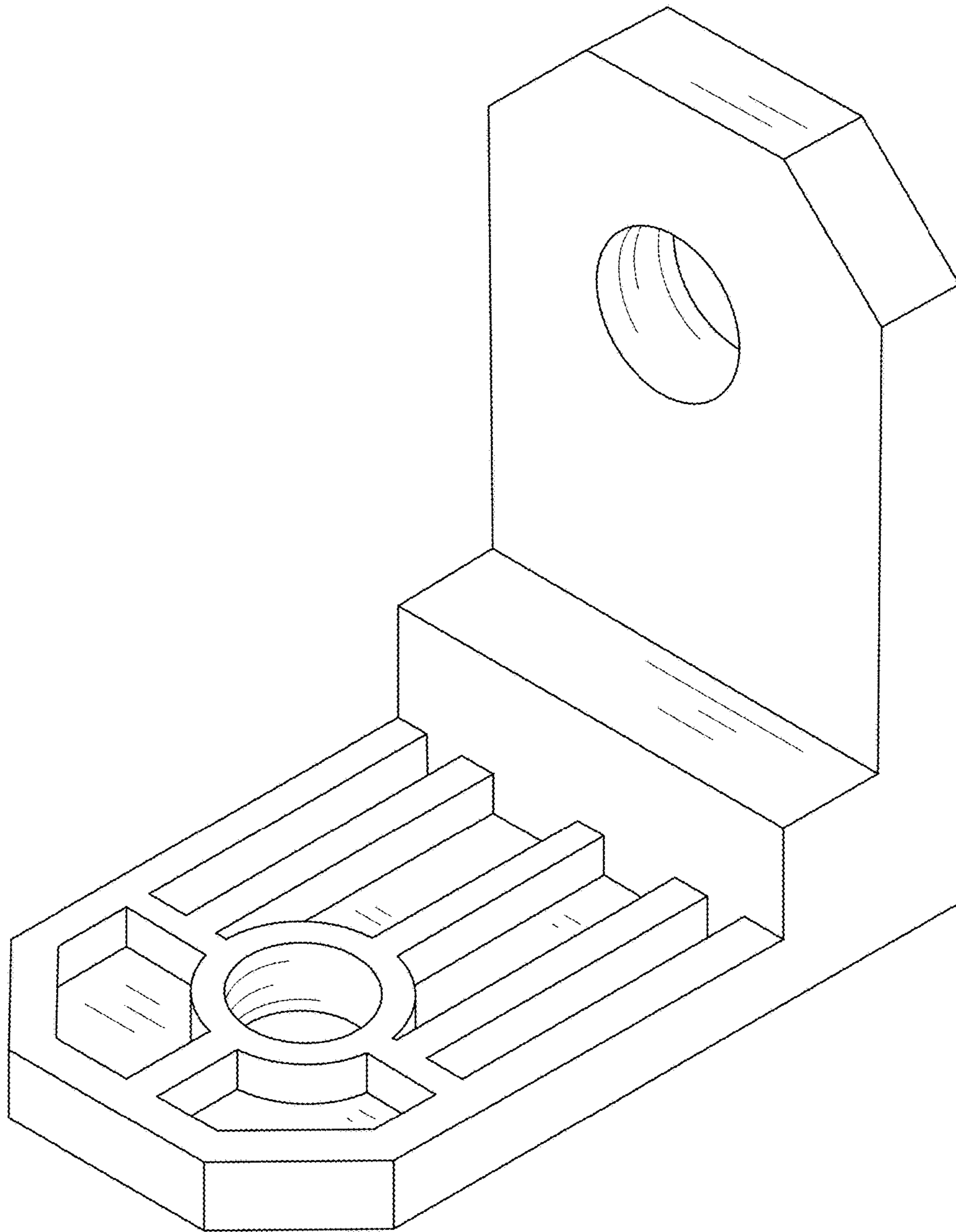


Fig 27

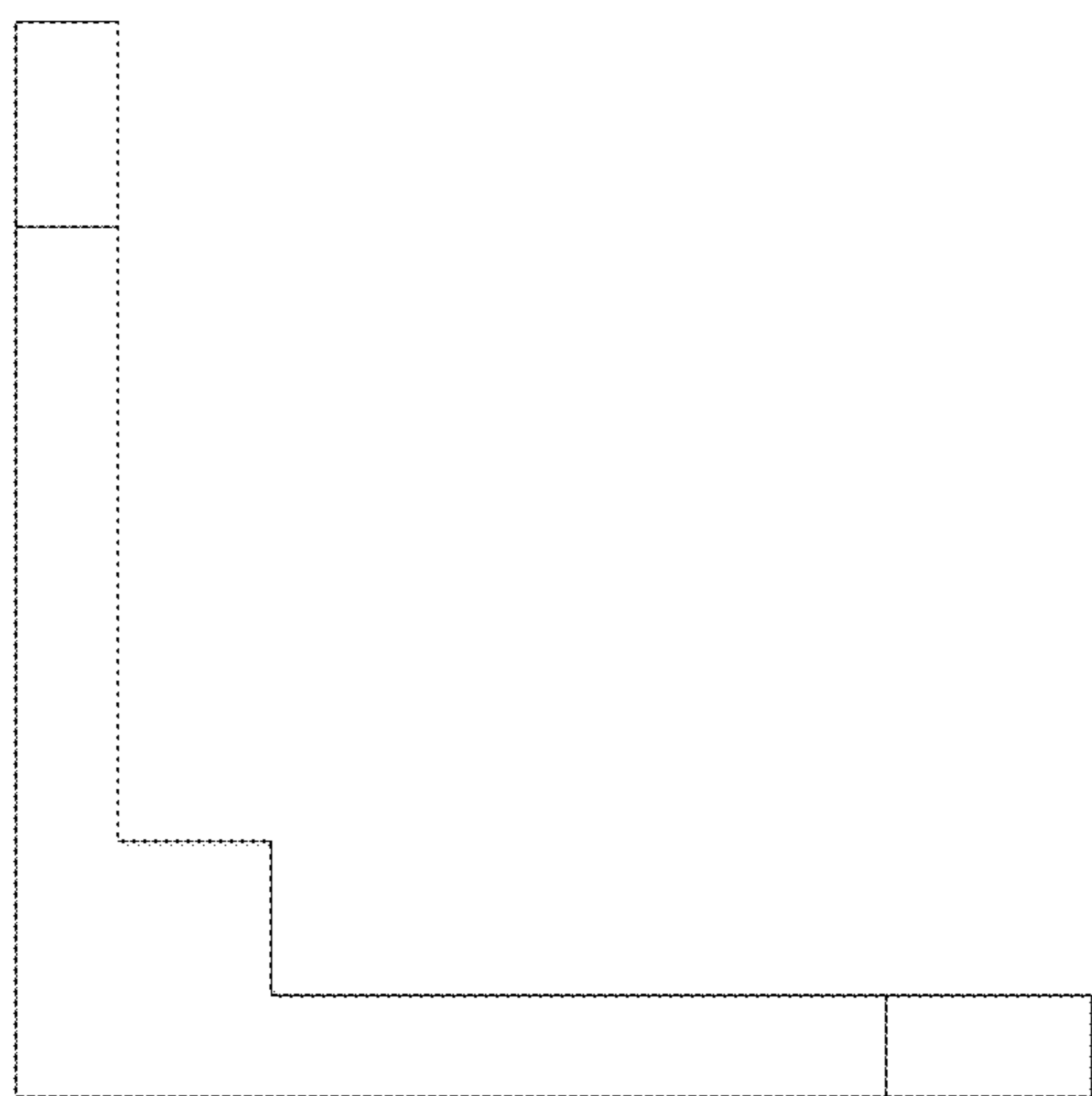


Fig 28

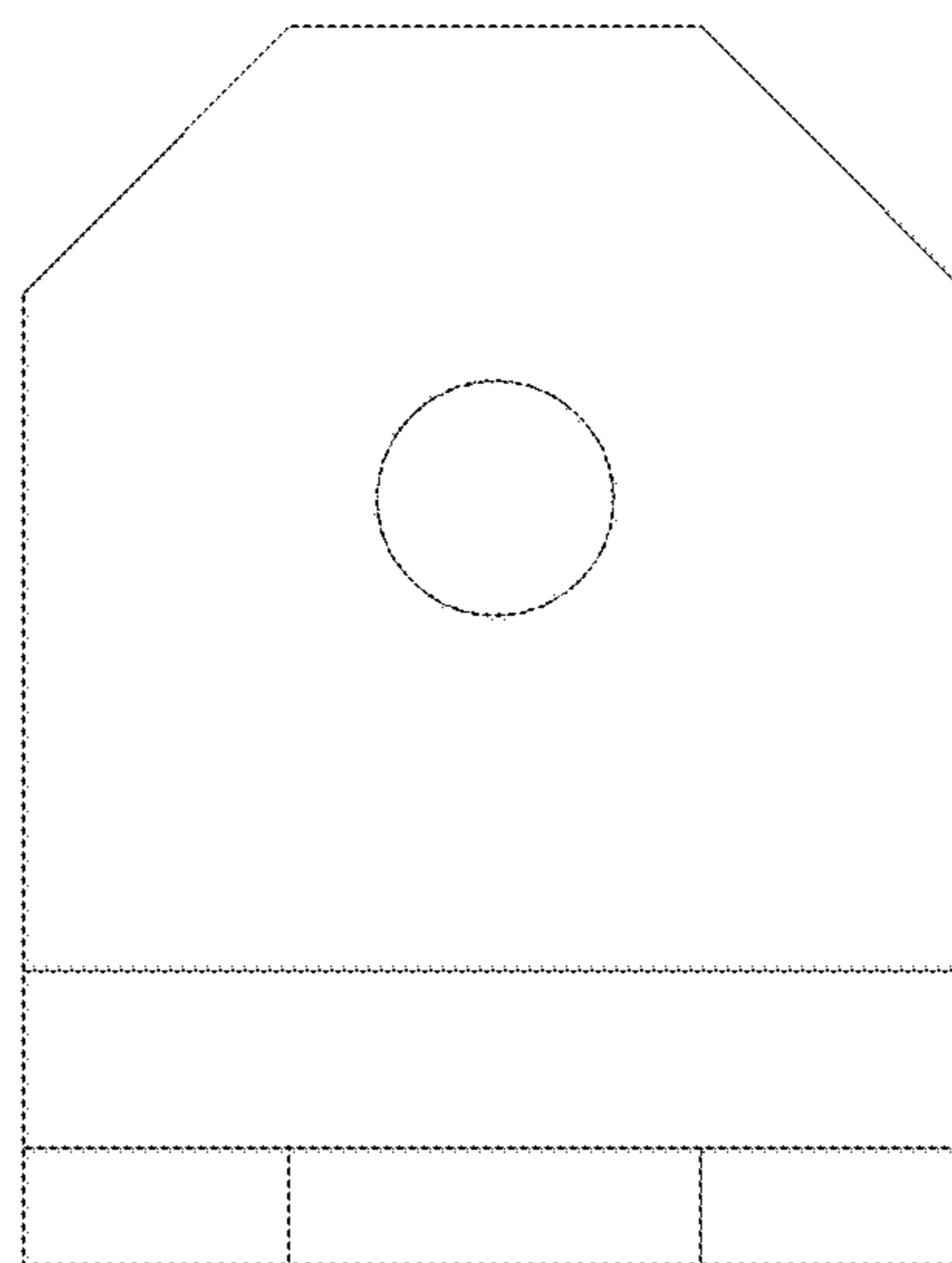


Fig 29

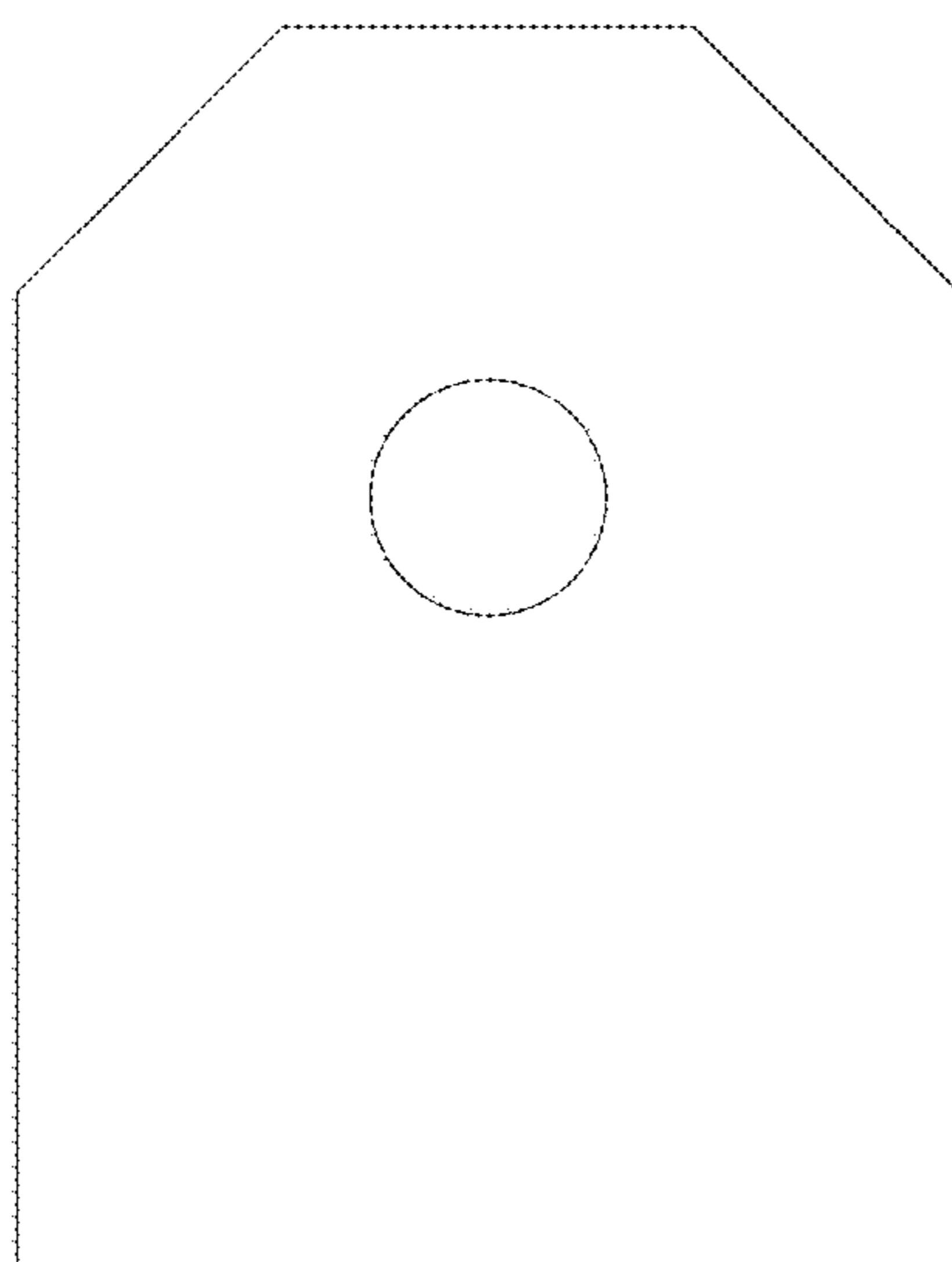


Fig 30



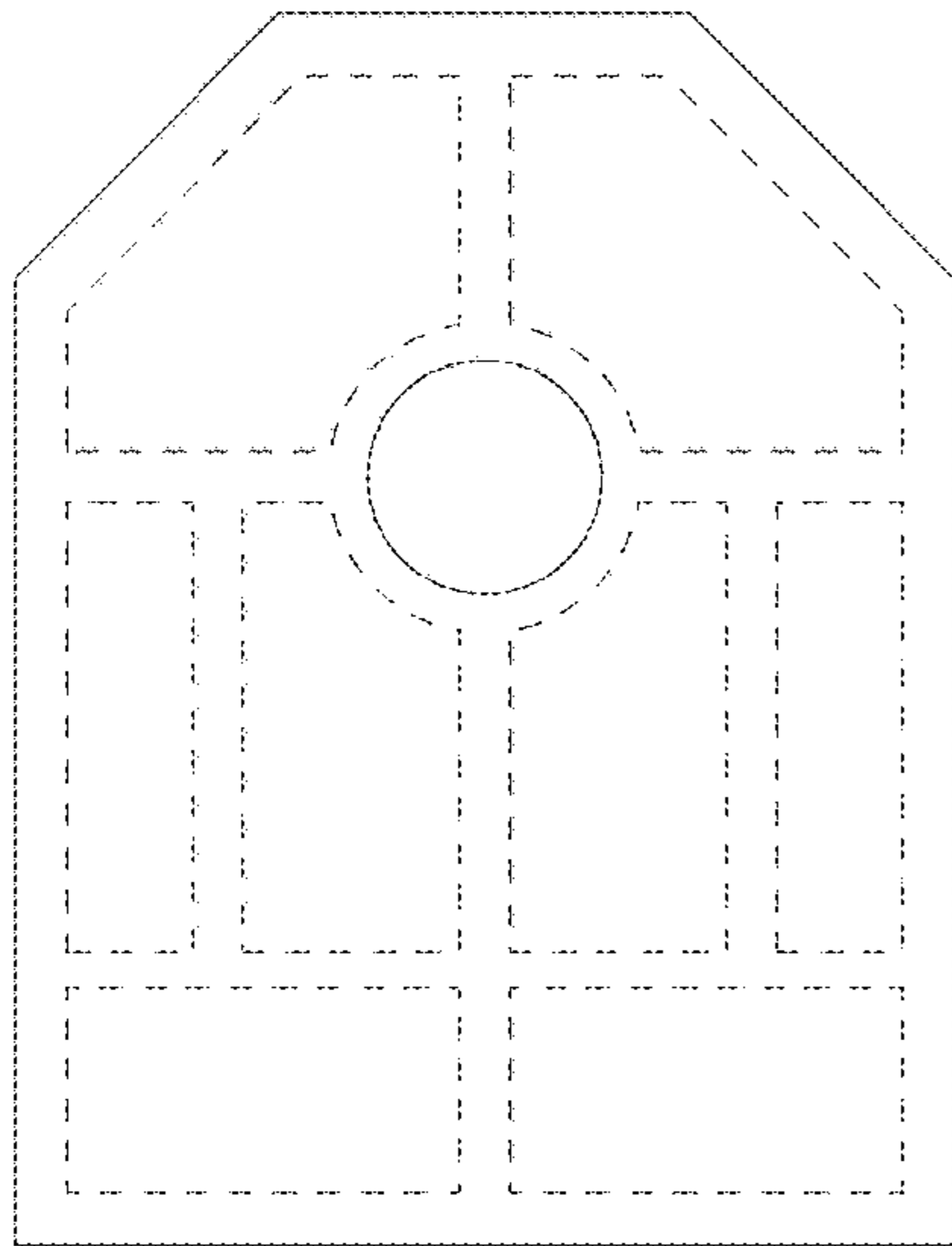


Fig 31

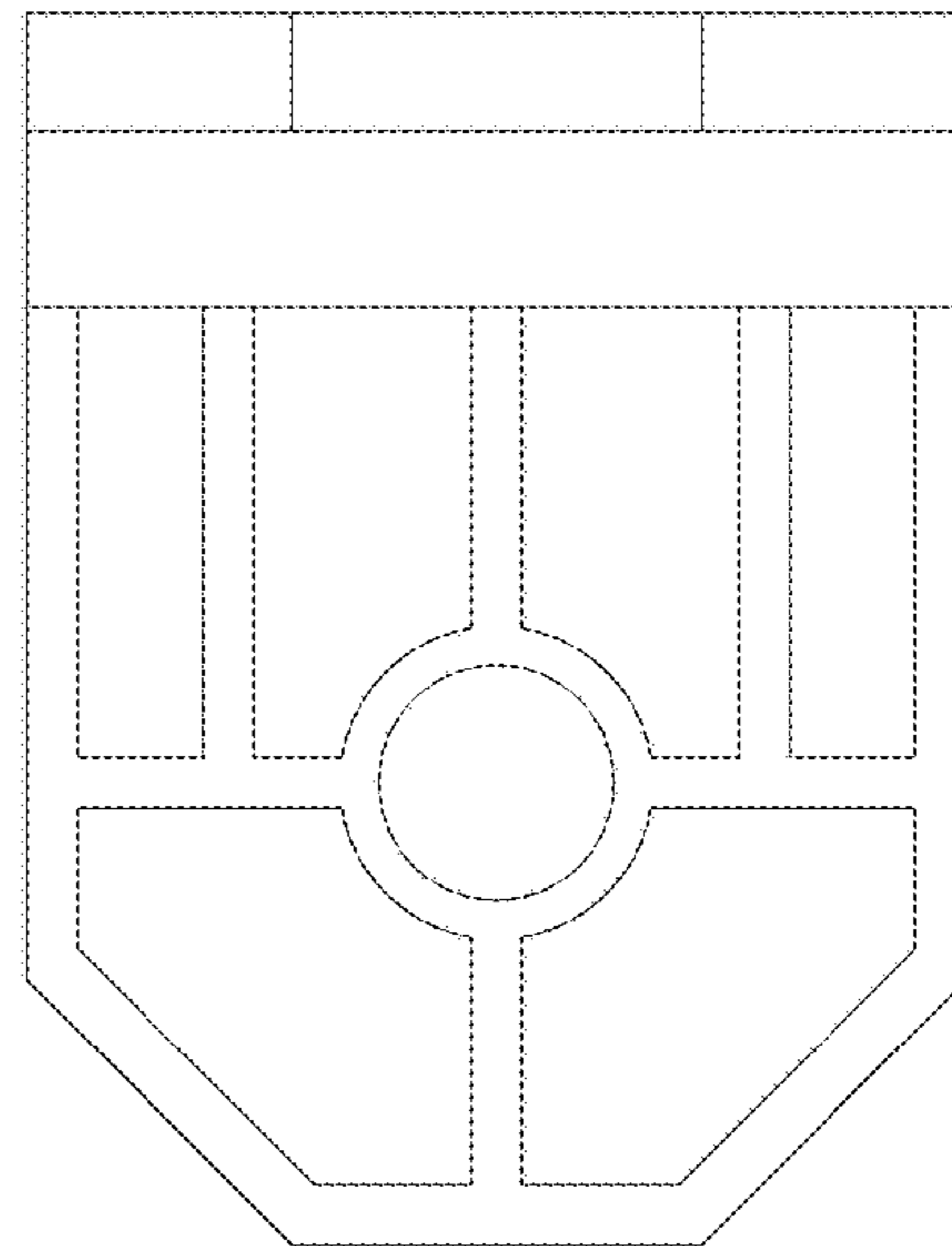


Fig 32

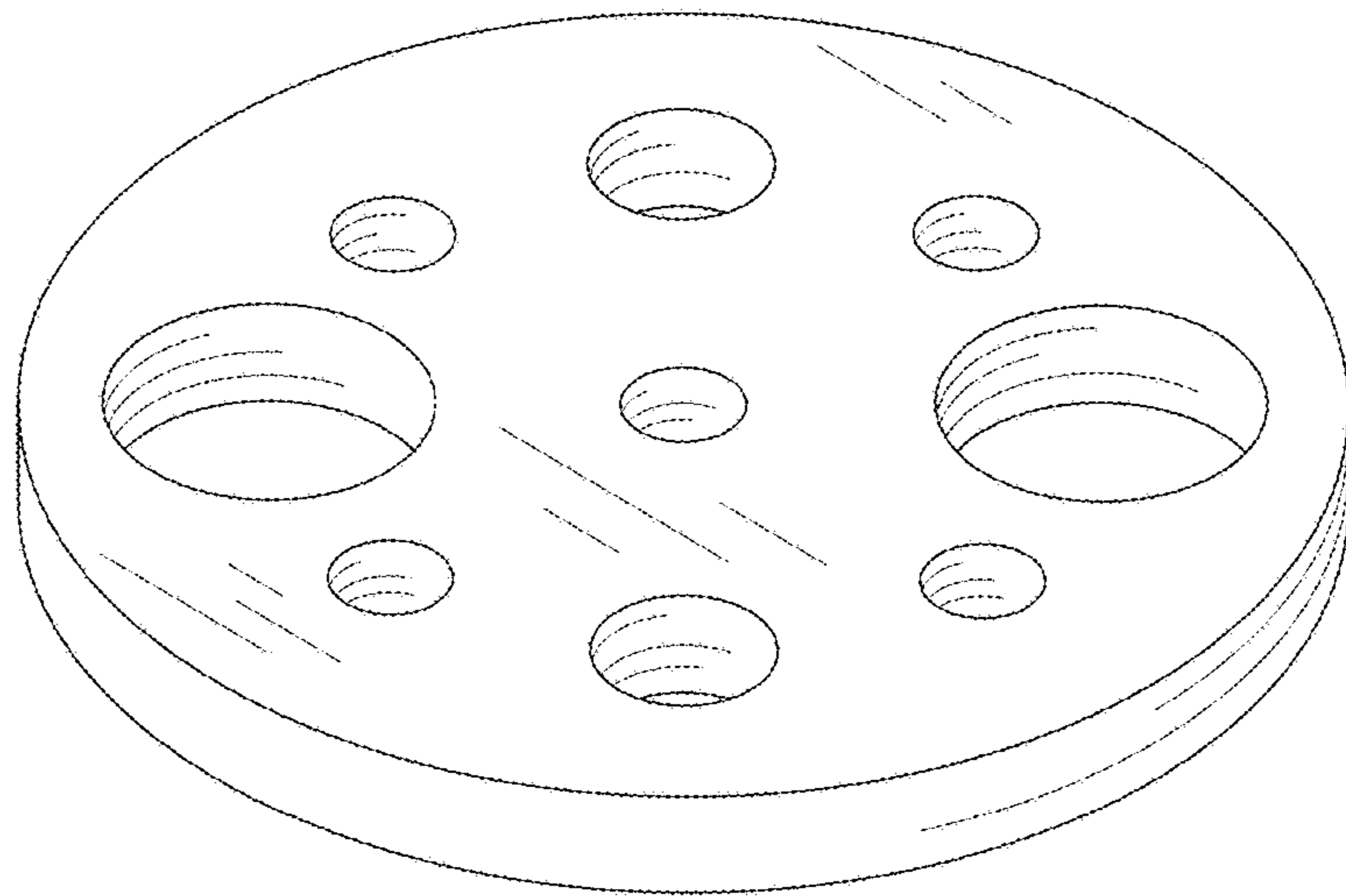


Fig 33

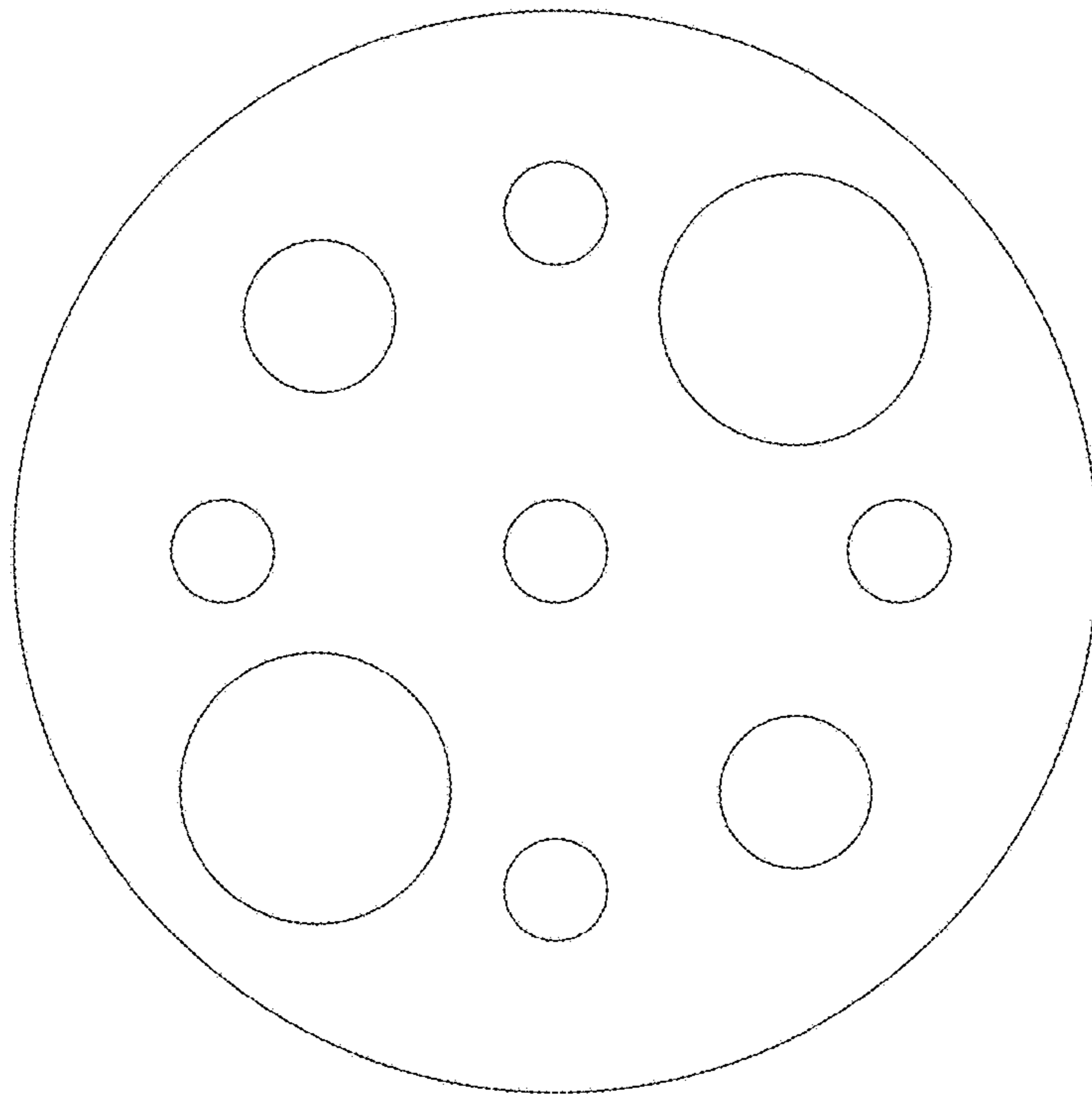


Fig 34

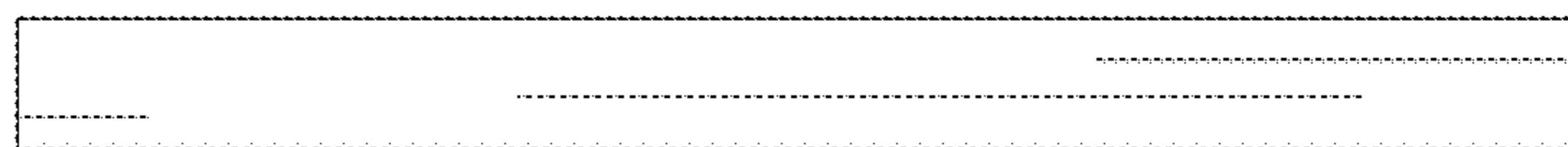


Fig 35

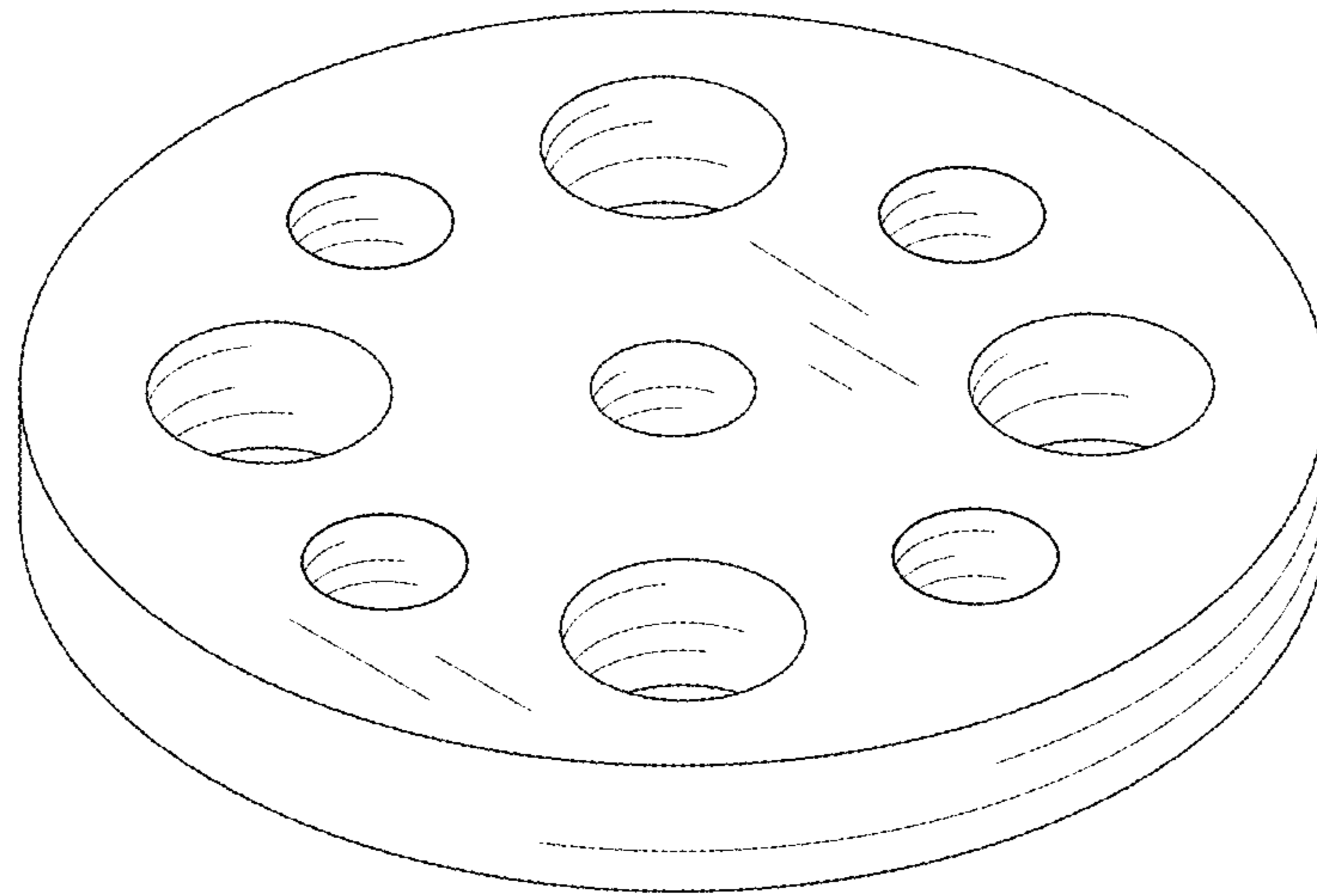


Fig 36

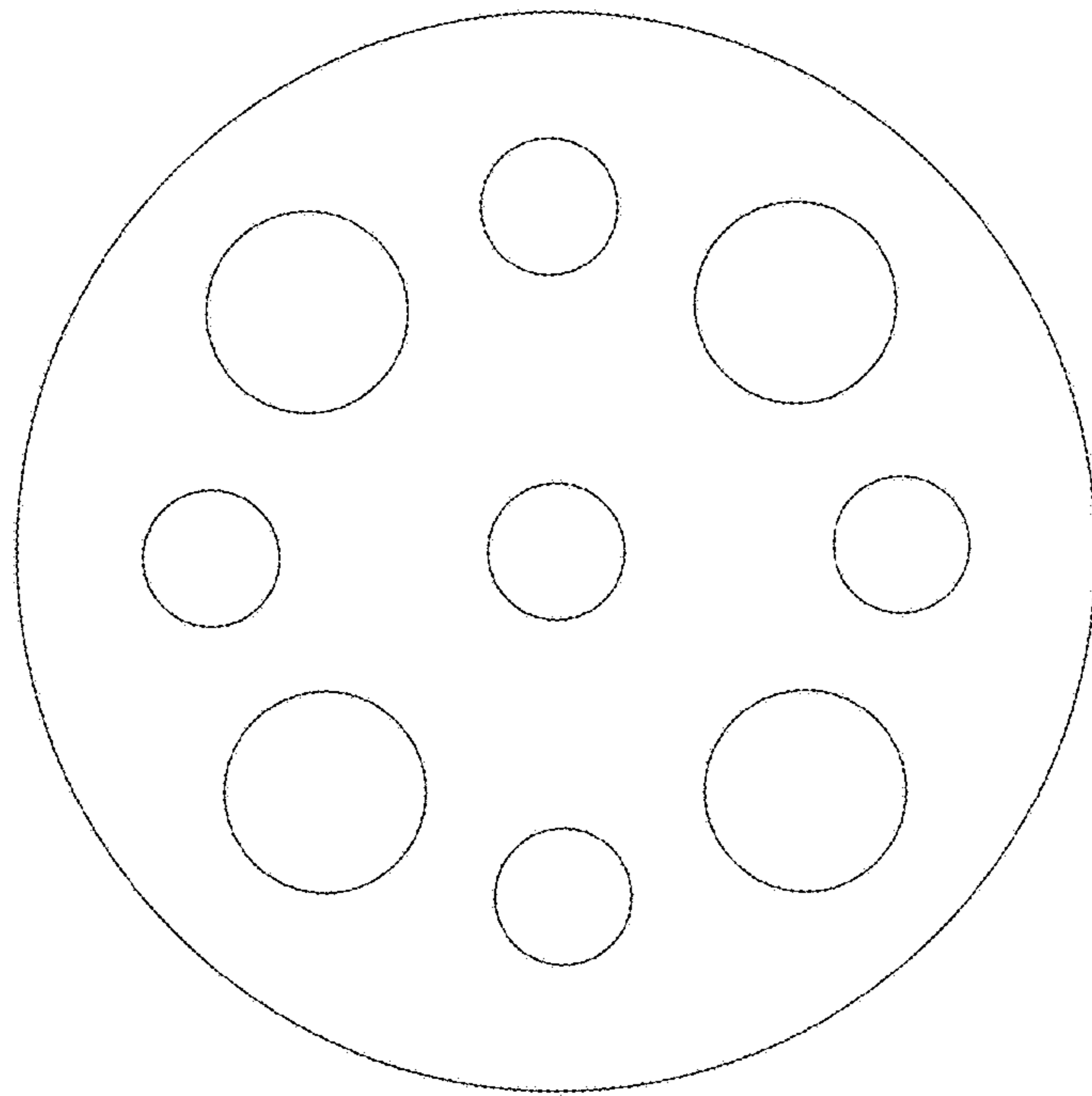


Fig 37

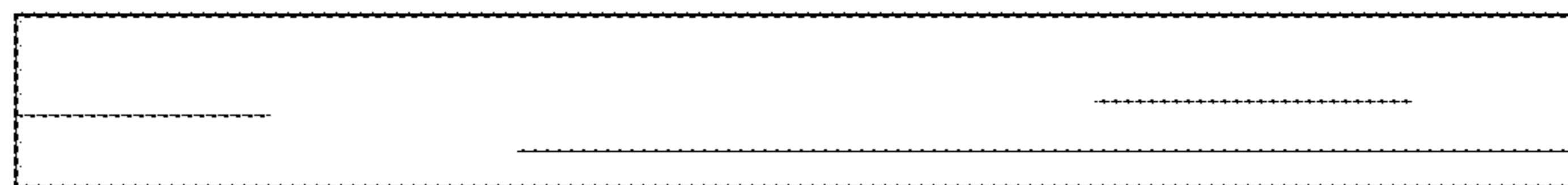


Fig 38

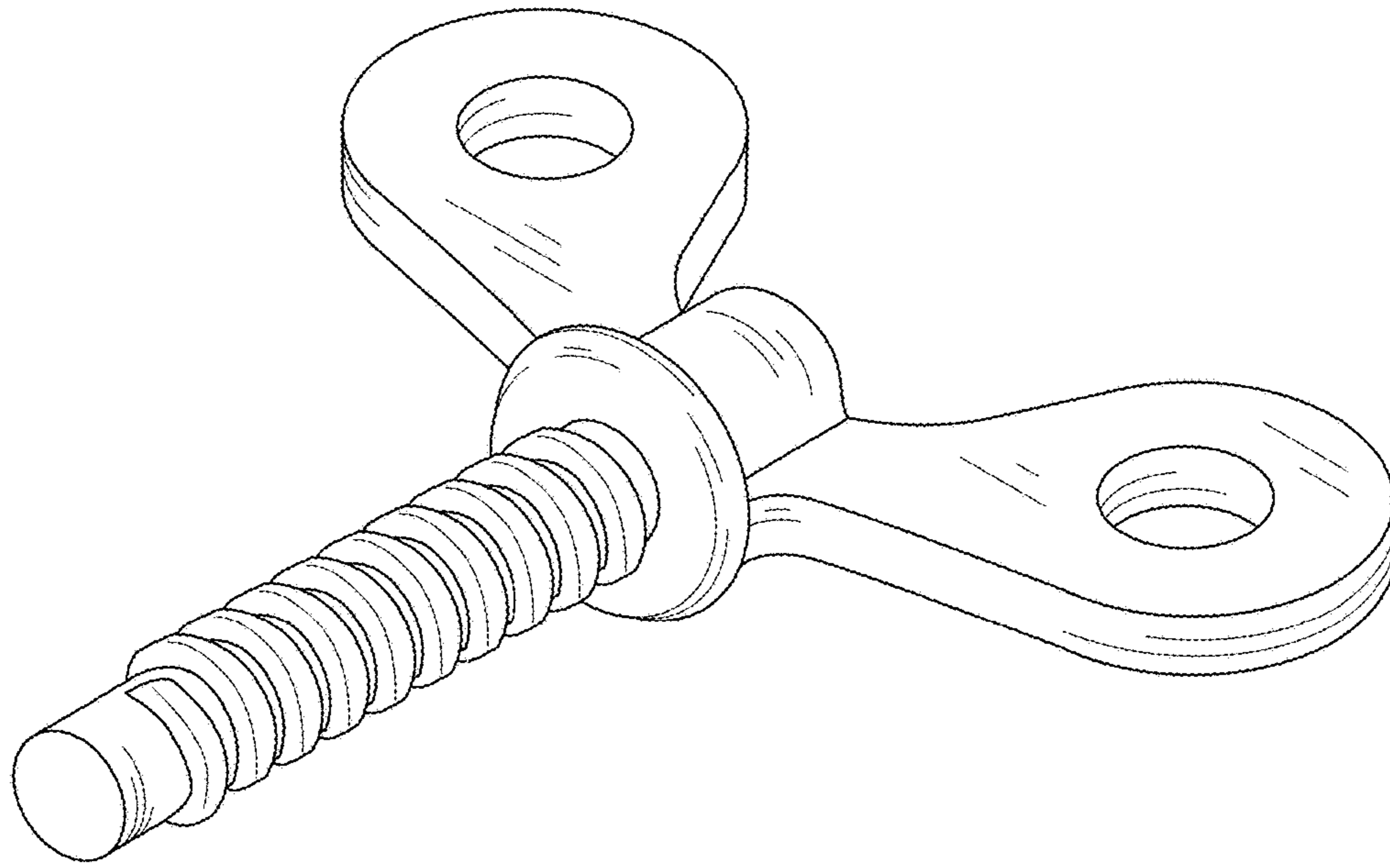


Fig 39

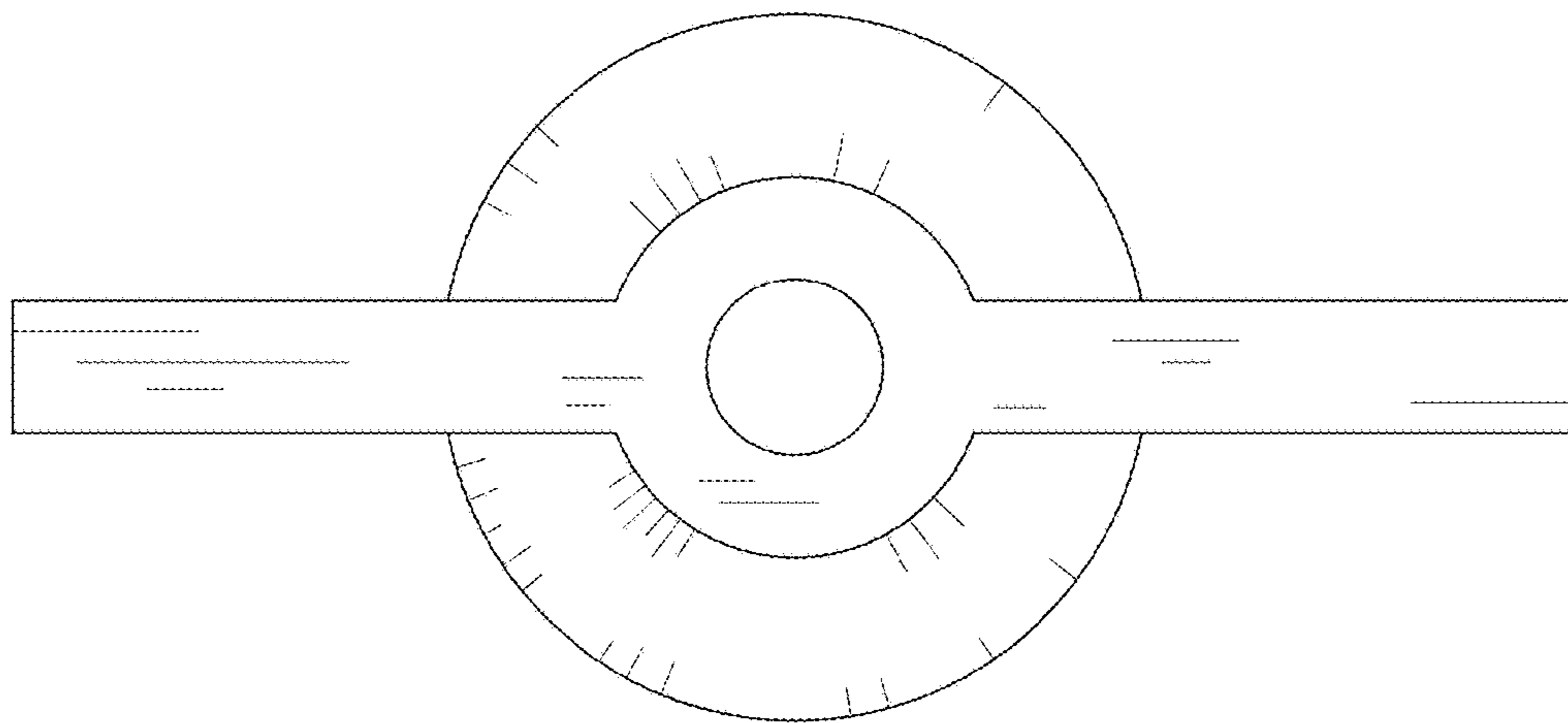


Fig 40

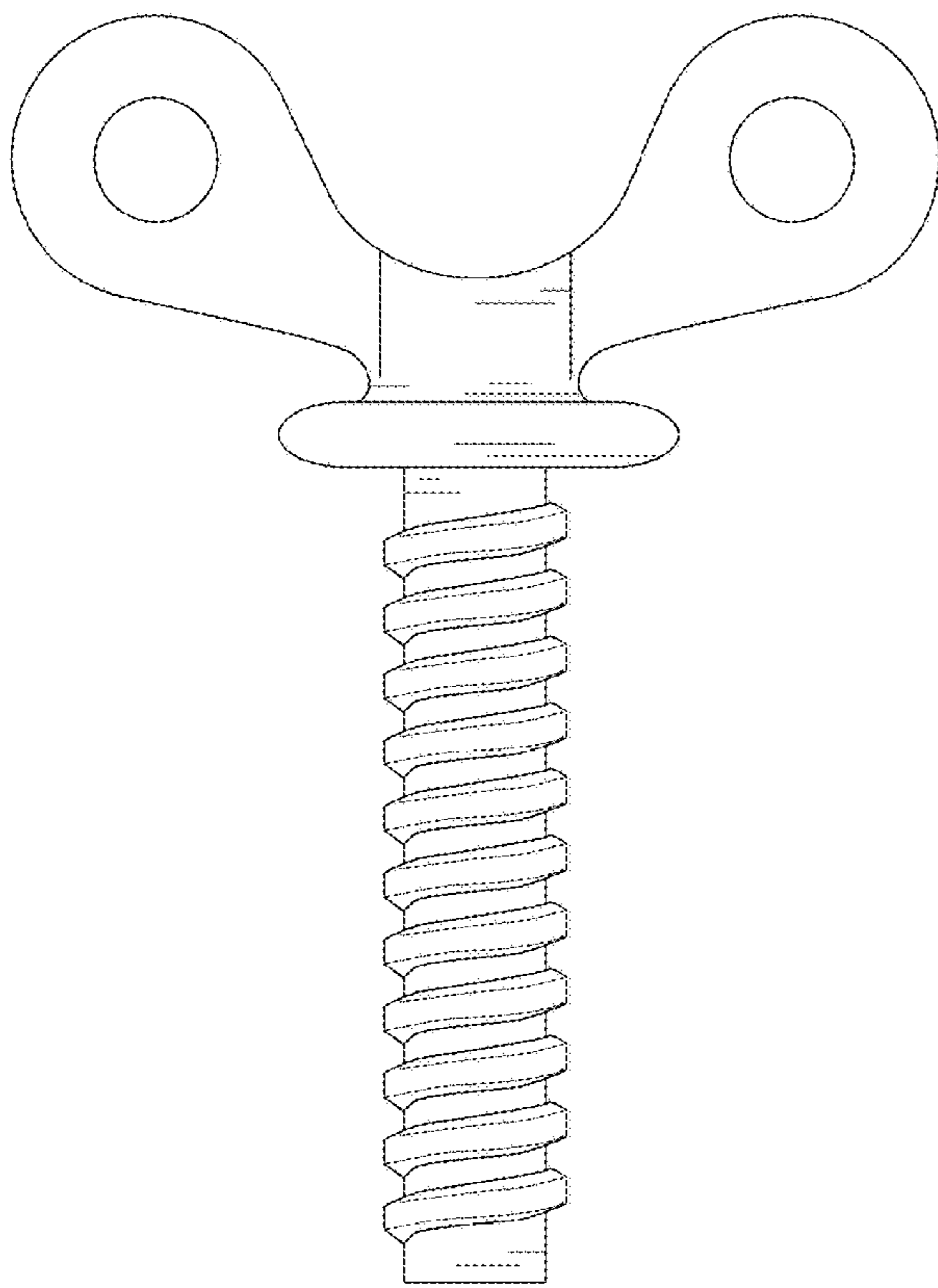


Fig 41

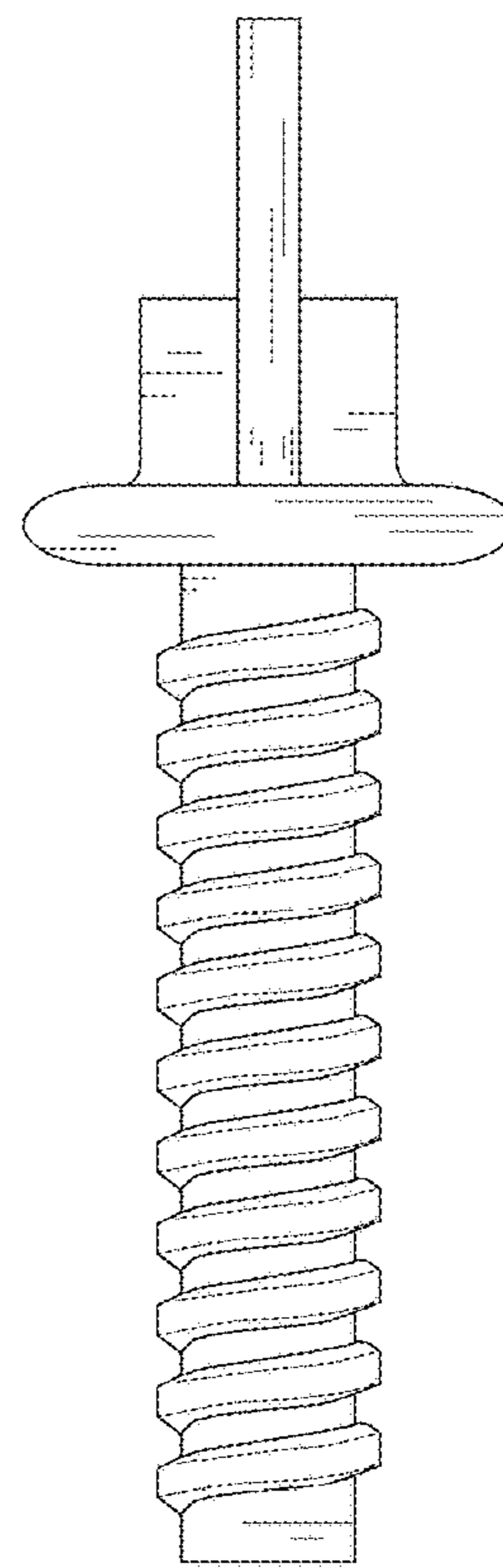


Fig 42

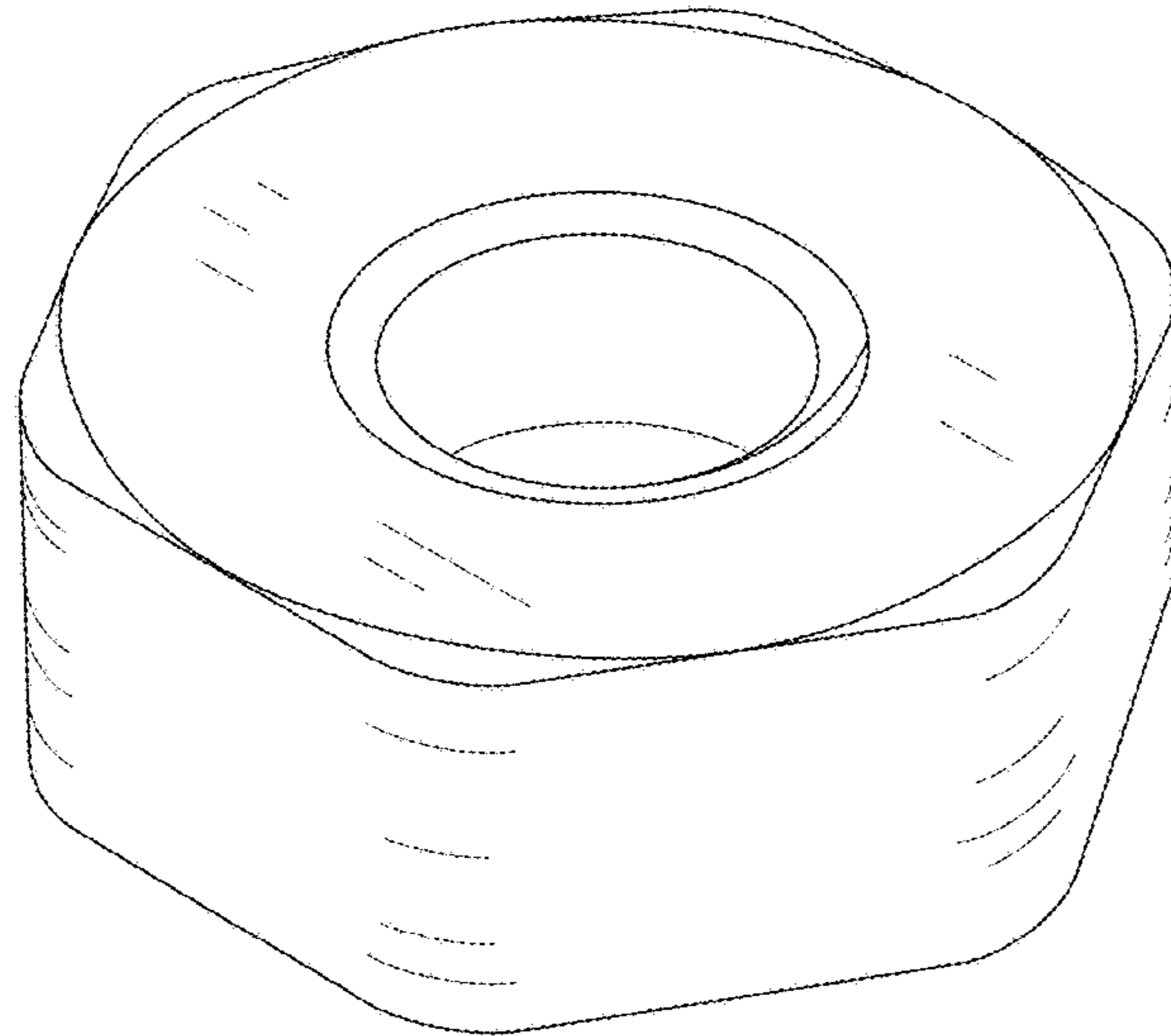


Fig 43

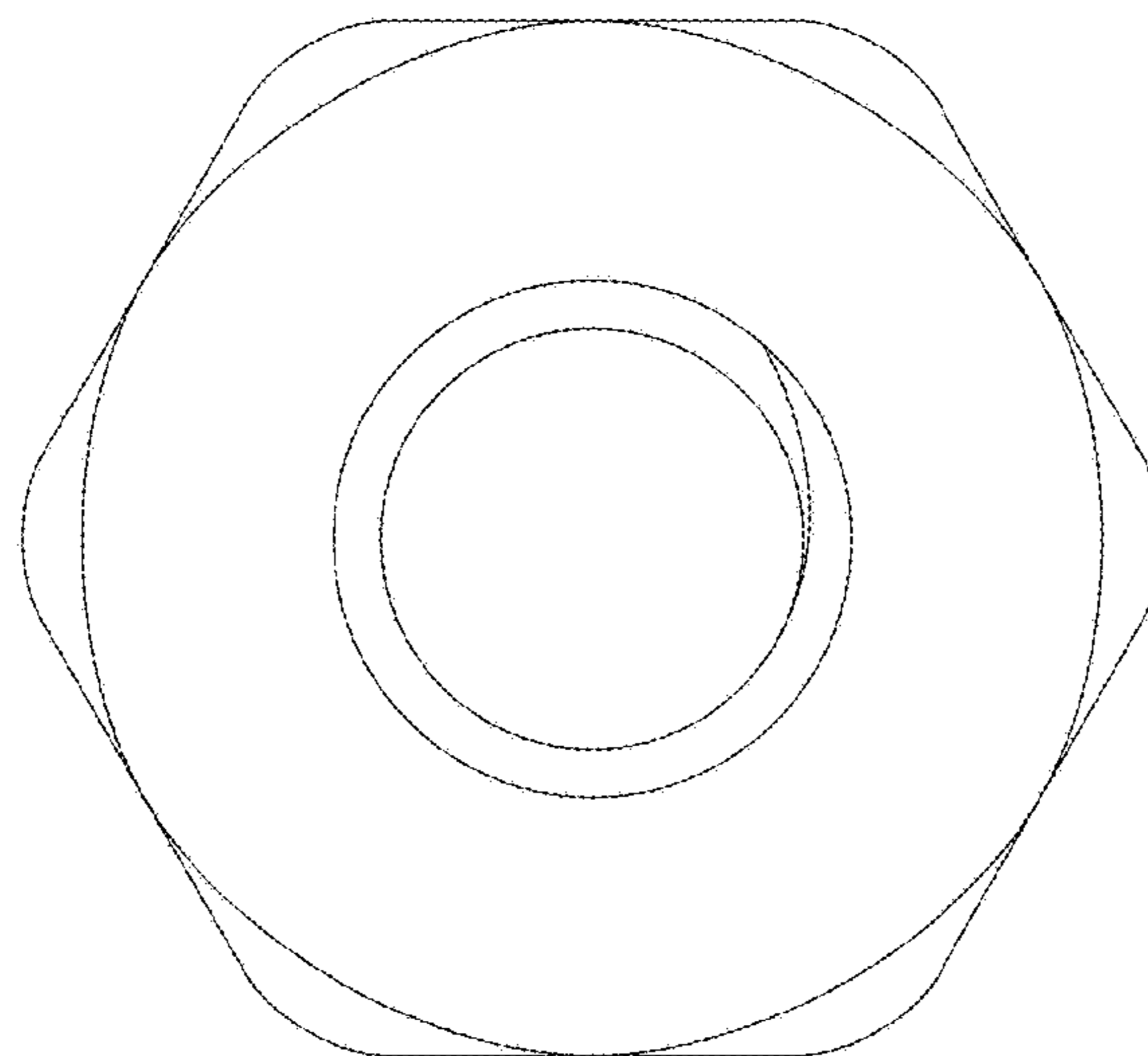


Fig 44



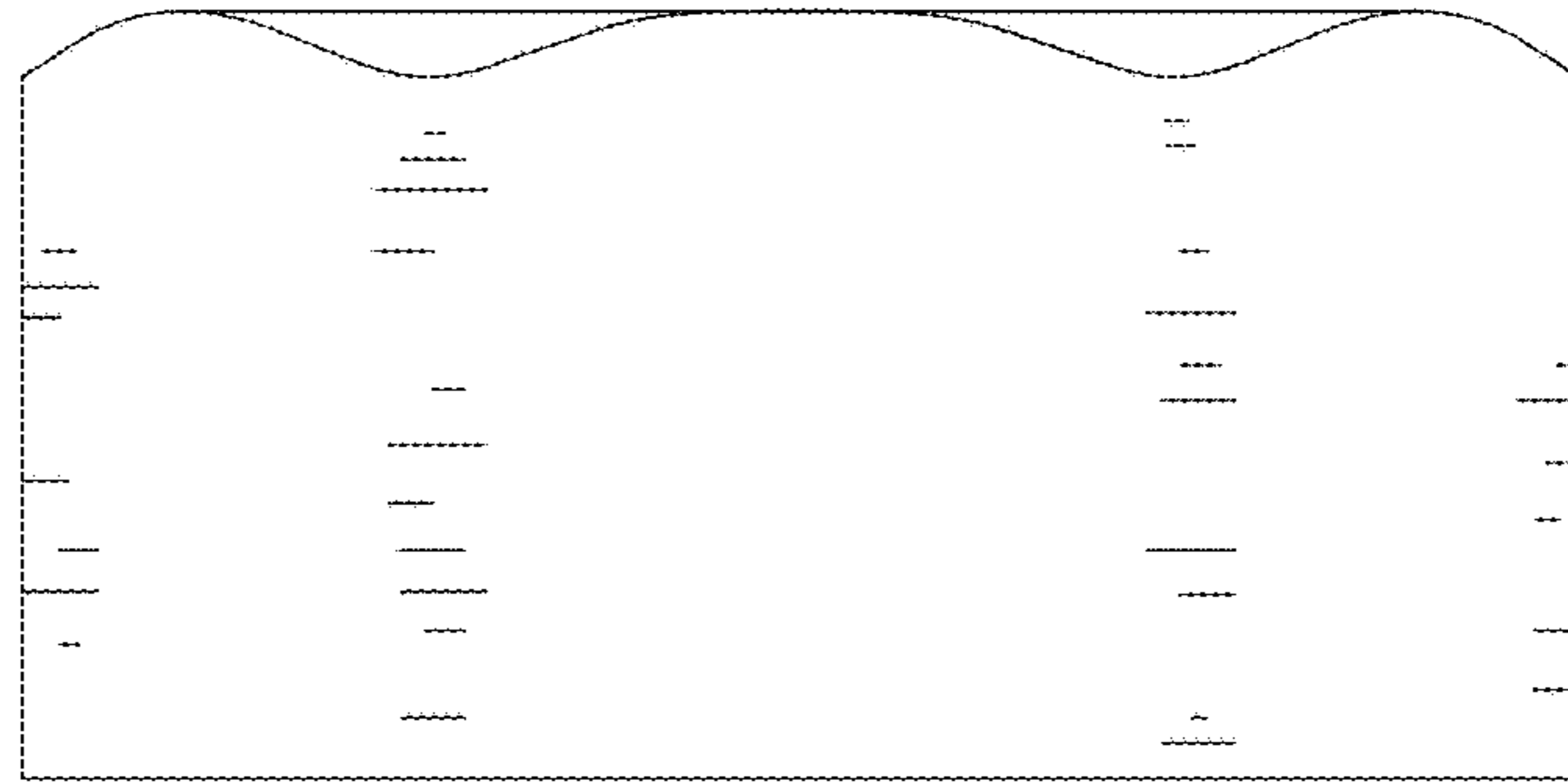


Fig 45

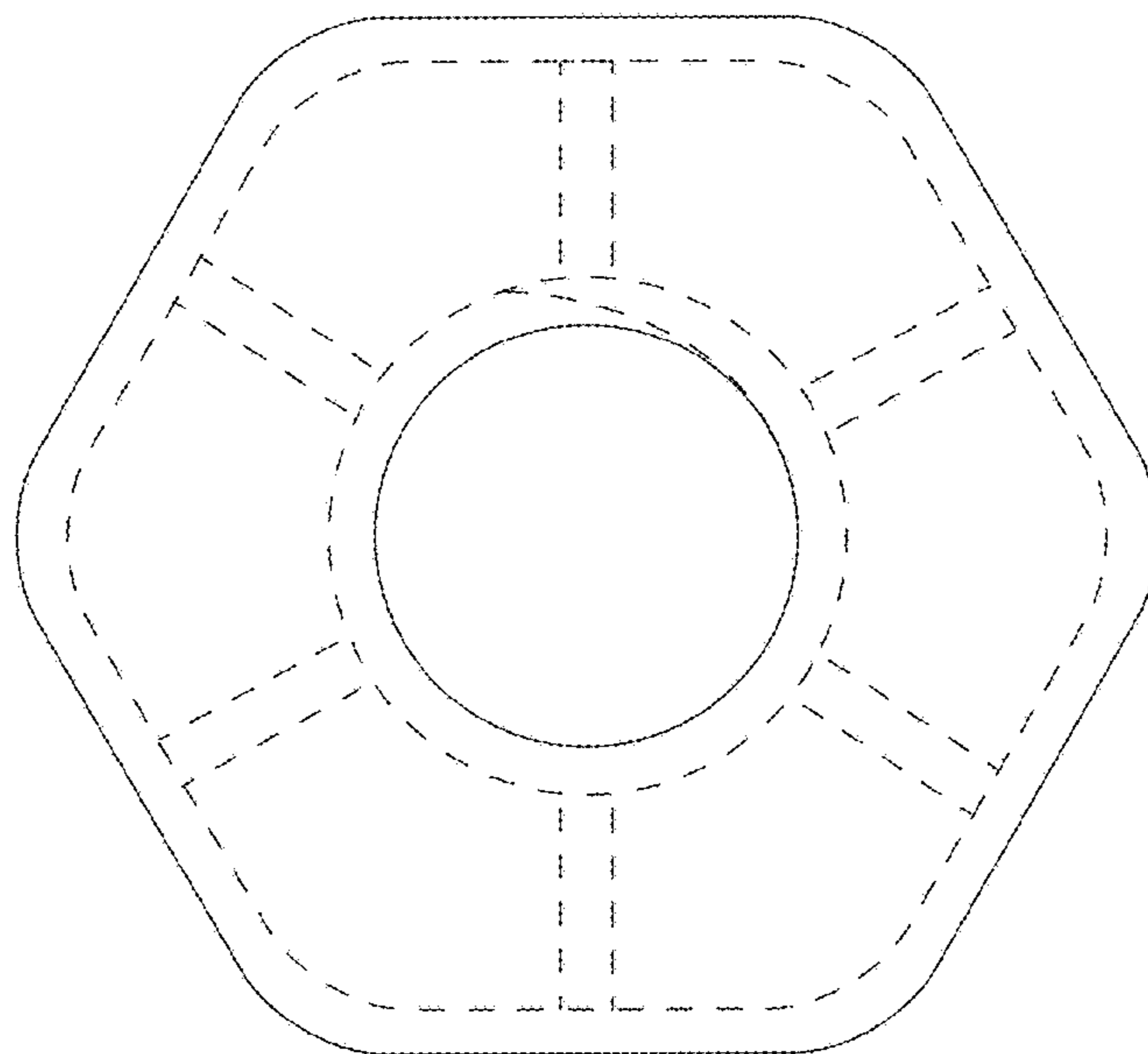


Fig 46

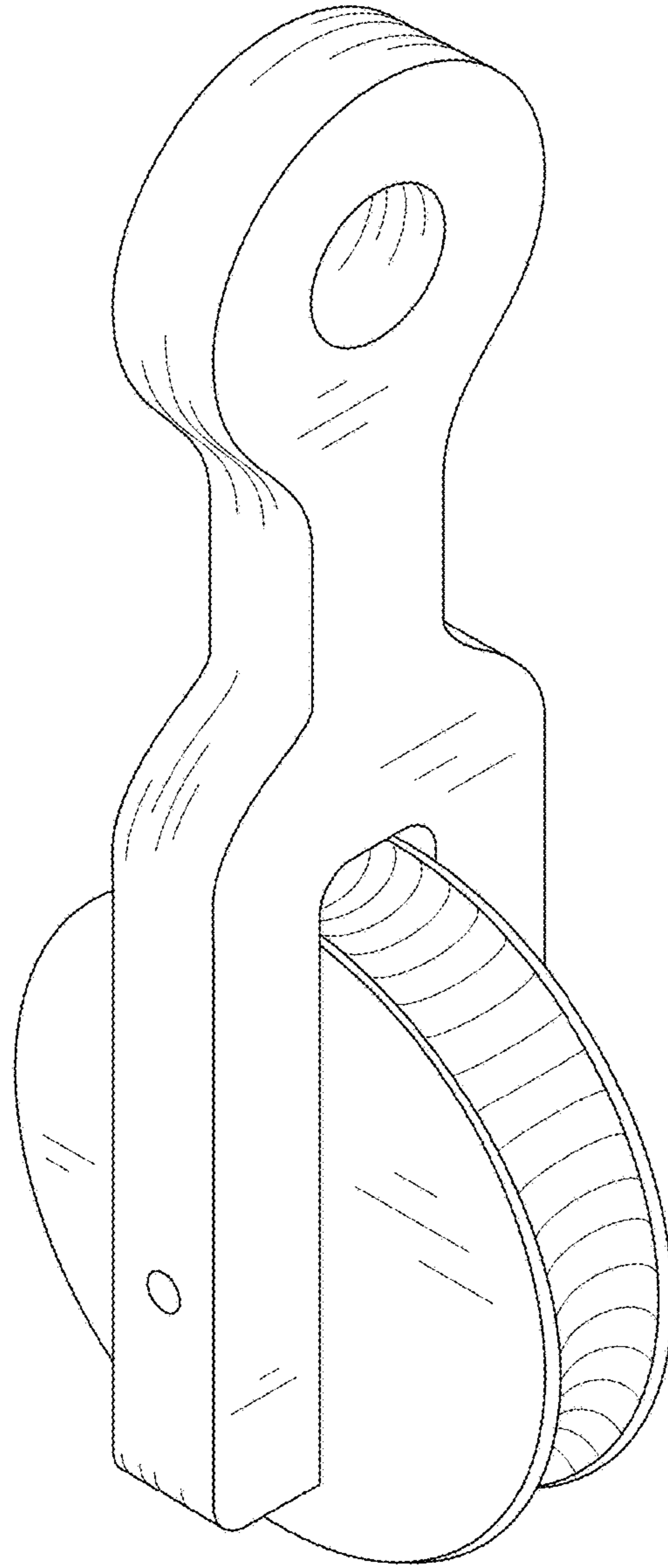


Fig 47

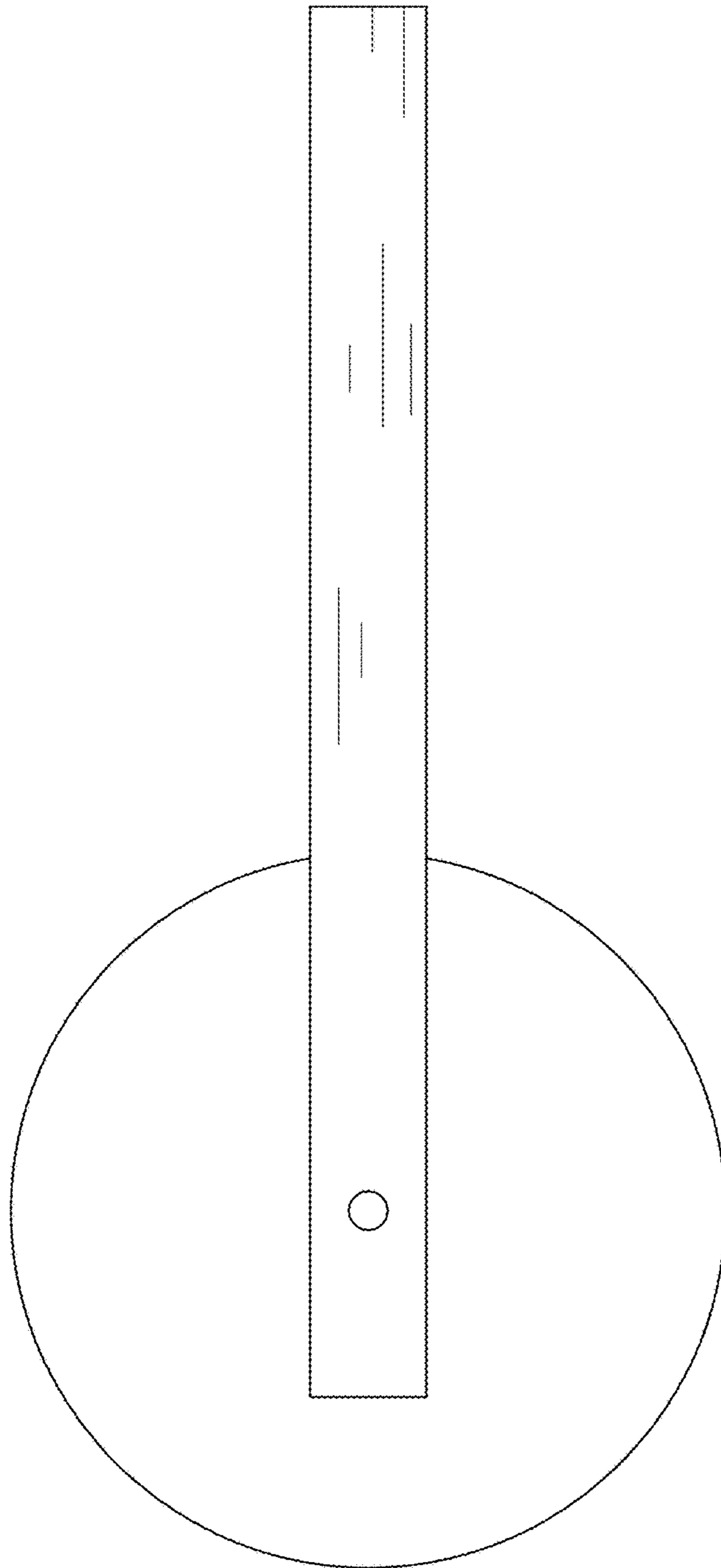


Fig 48

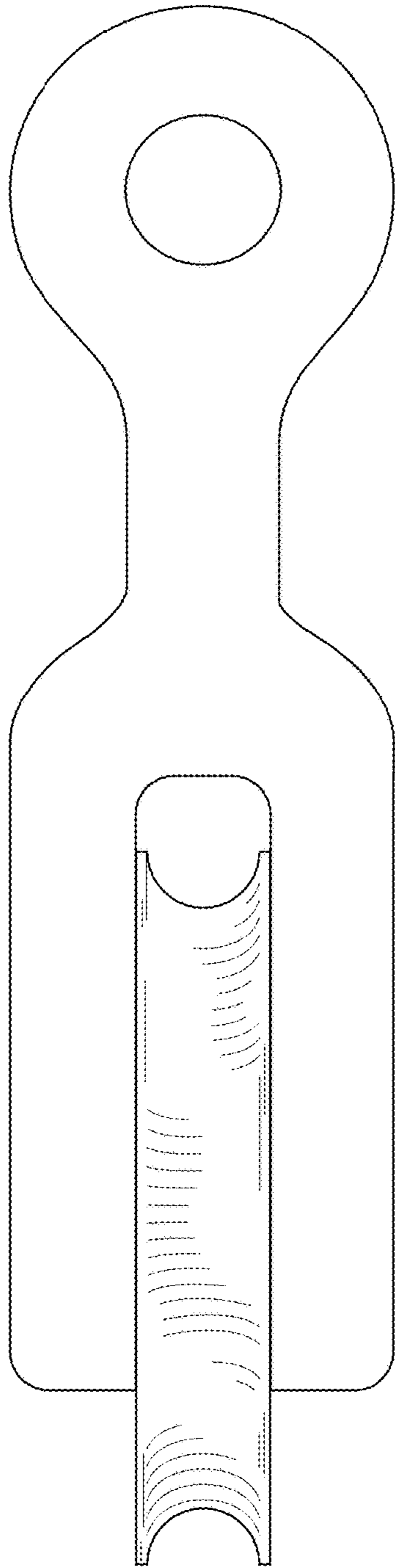


Fig 49

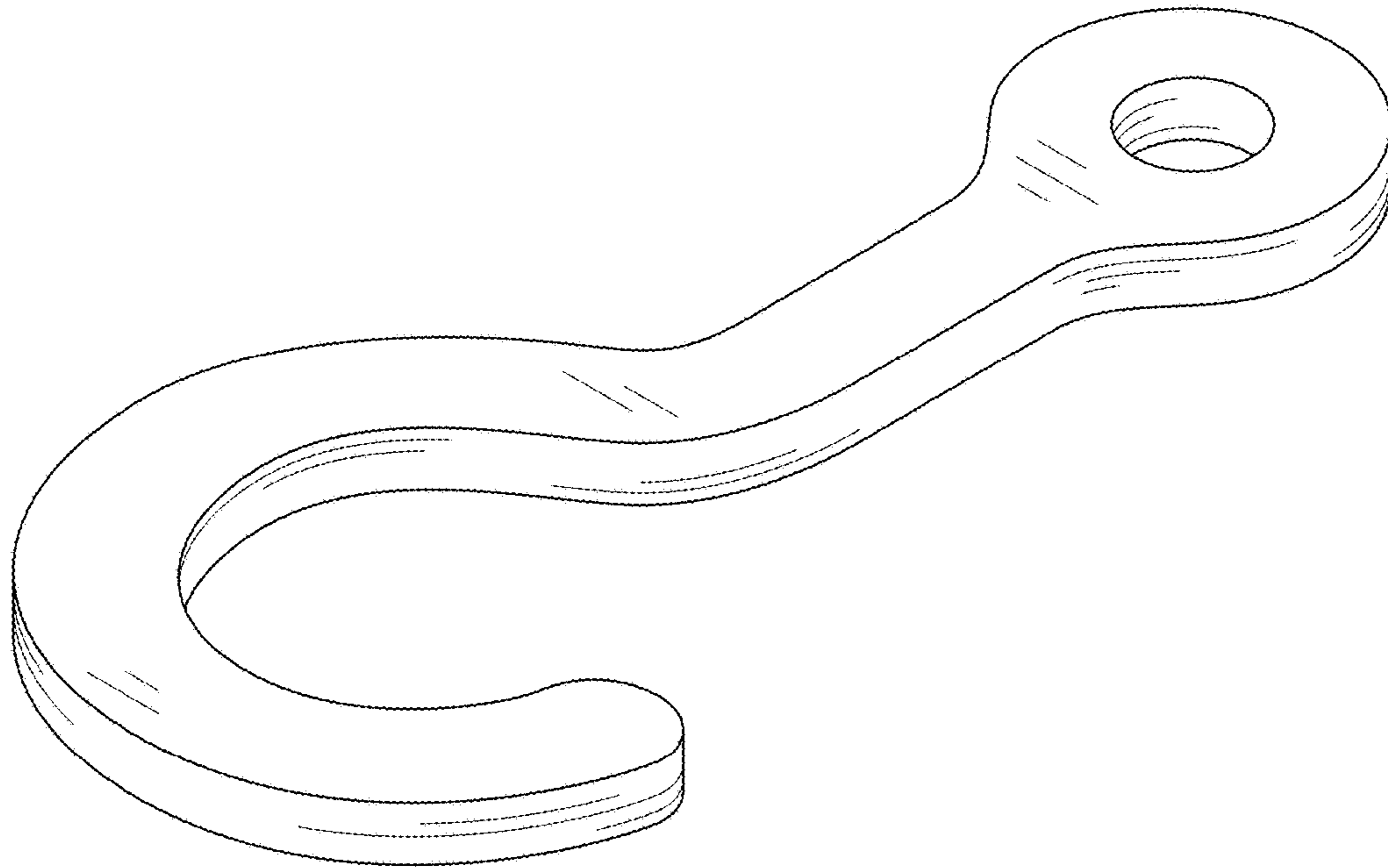


Fig 50

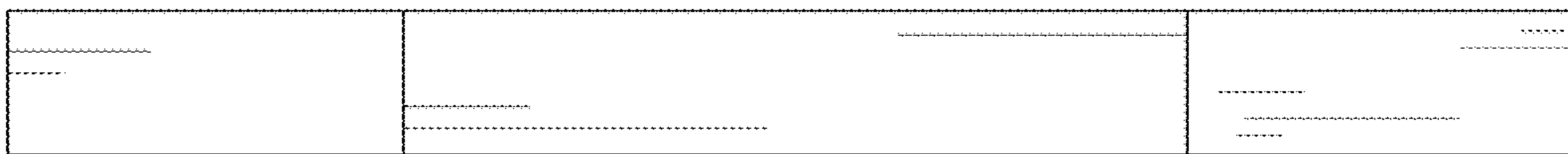


Fig 51

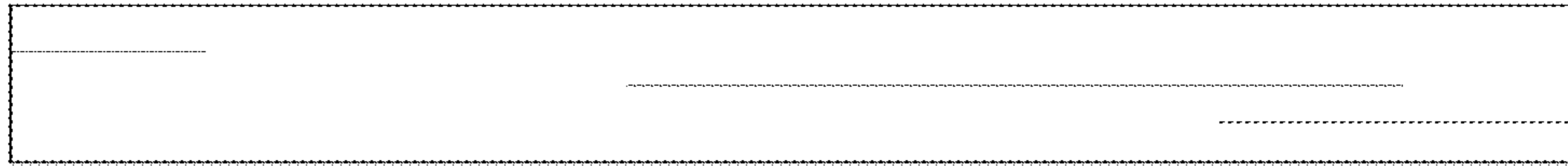


Fig 52

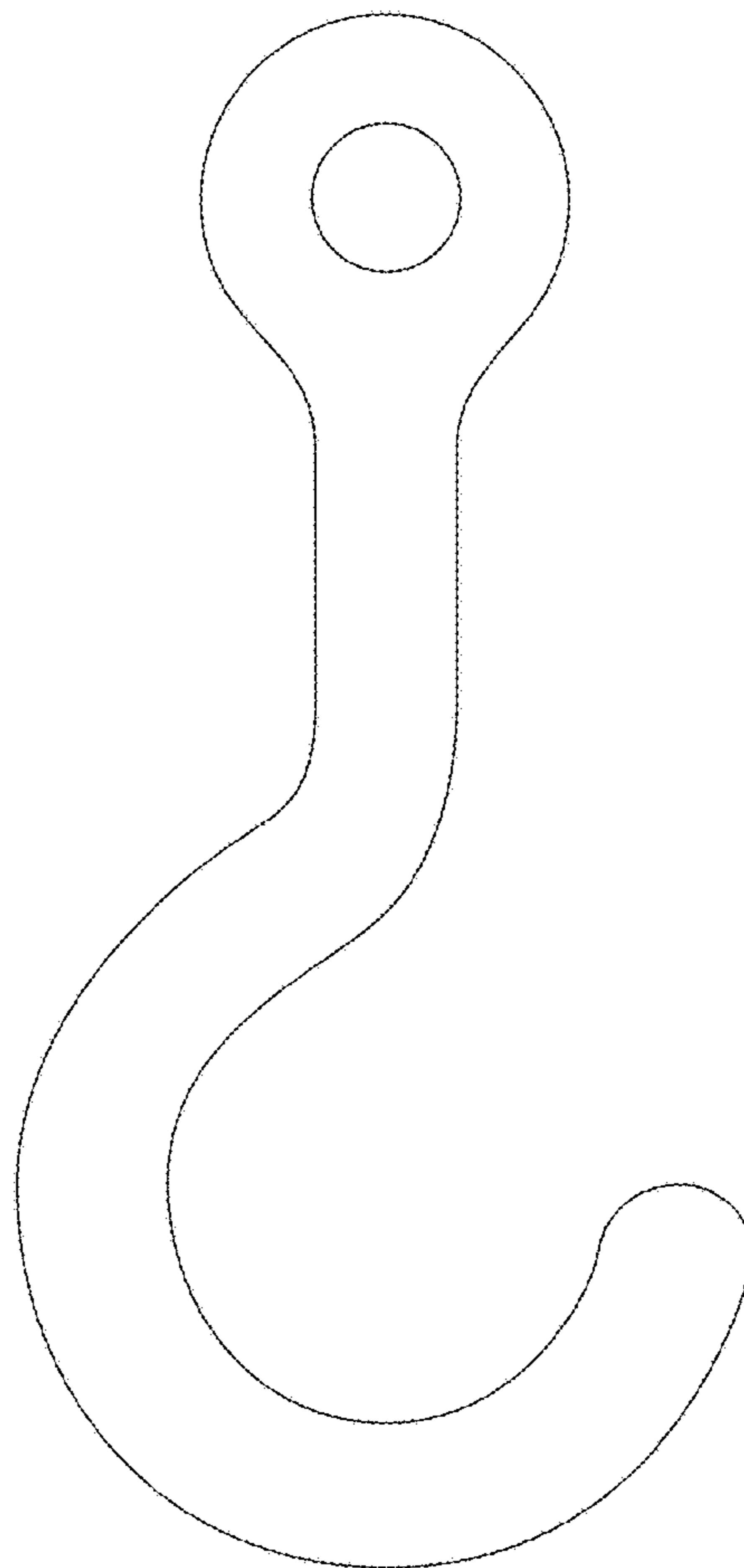


Fig 53

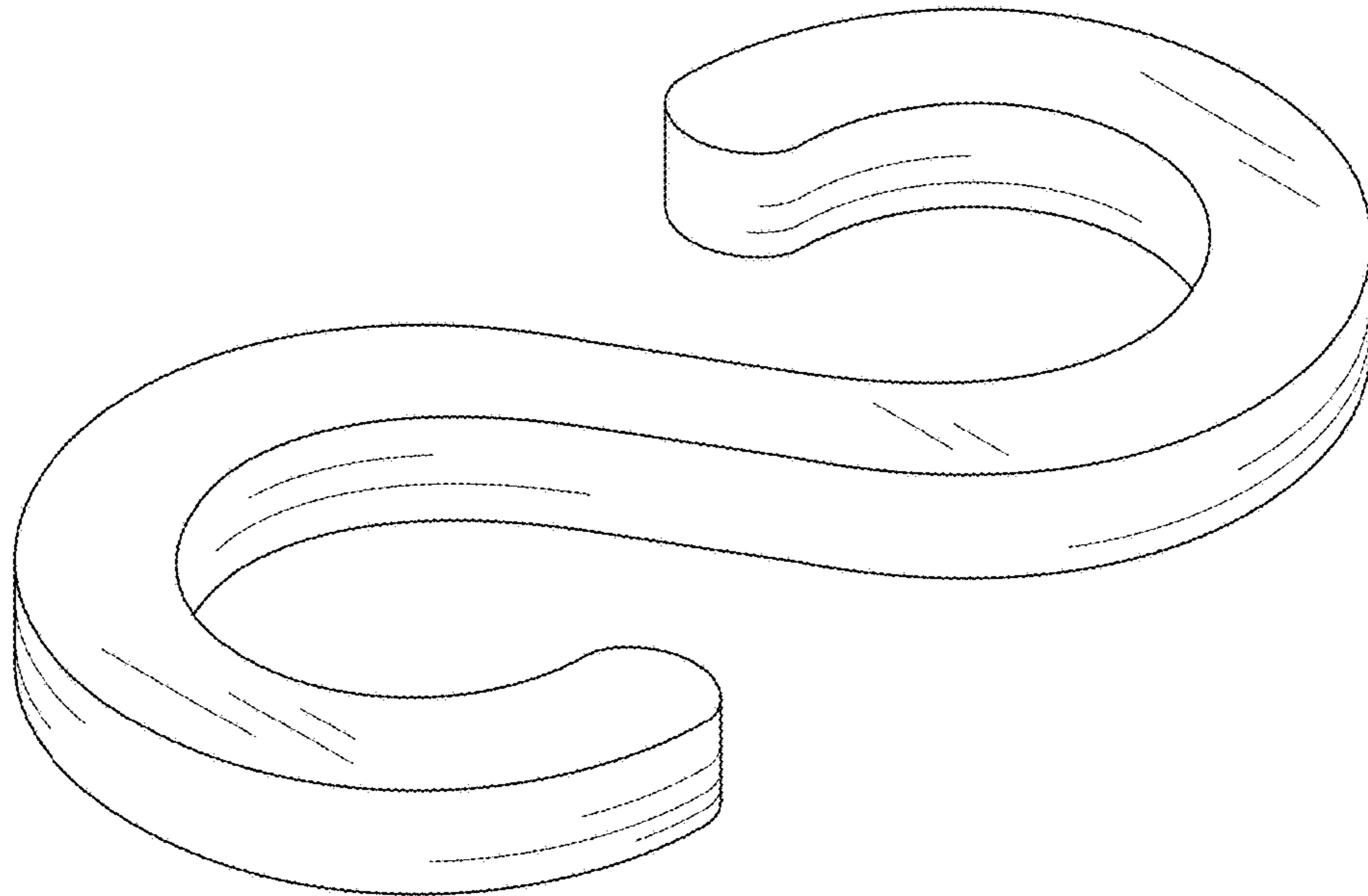


Fig 54

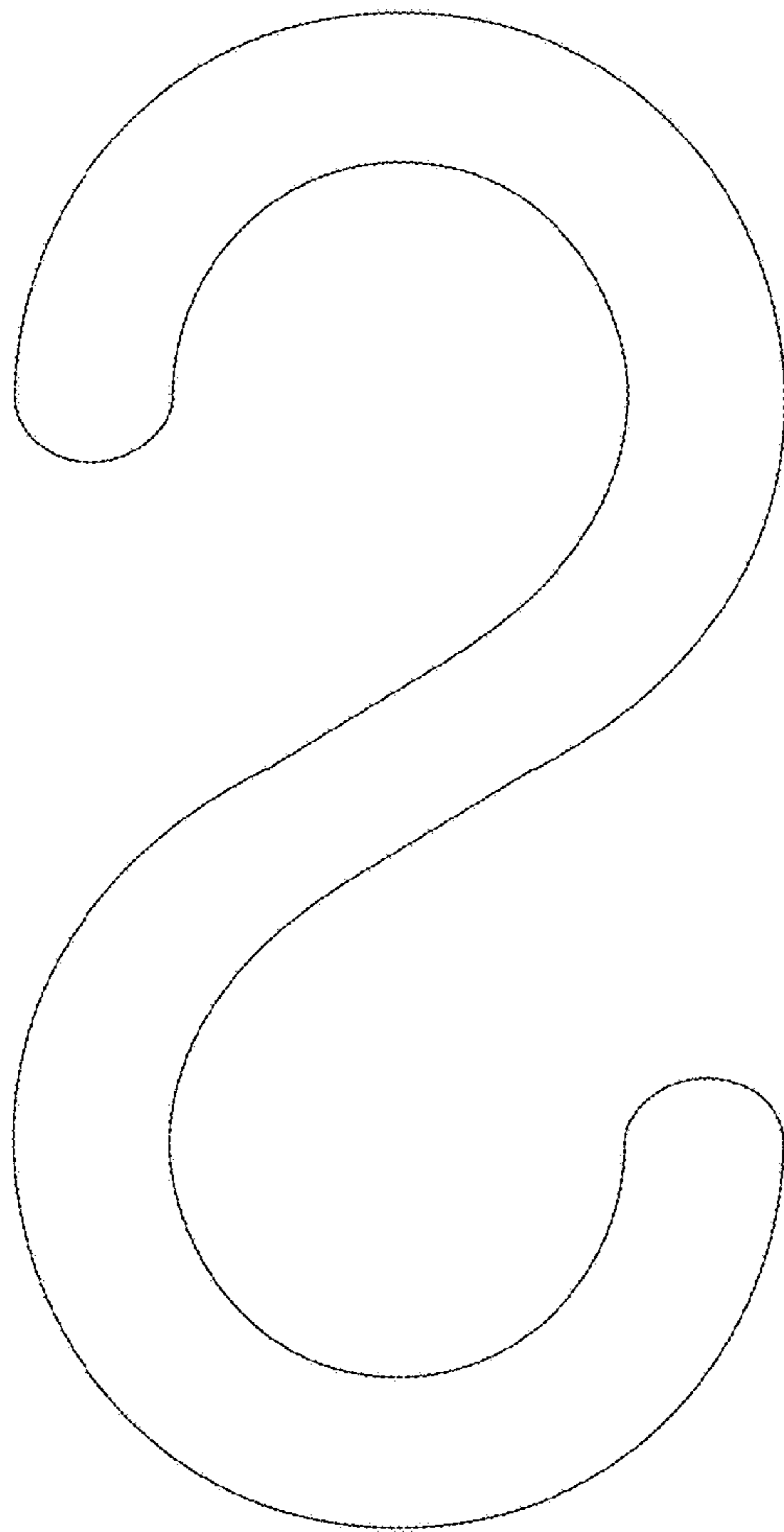


Fig 55

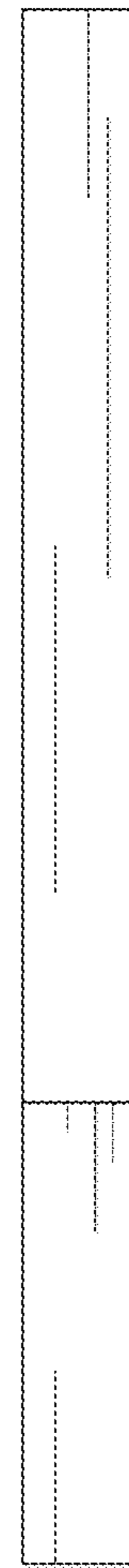


Fig 56



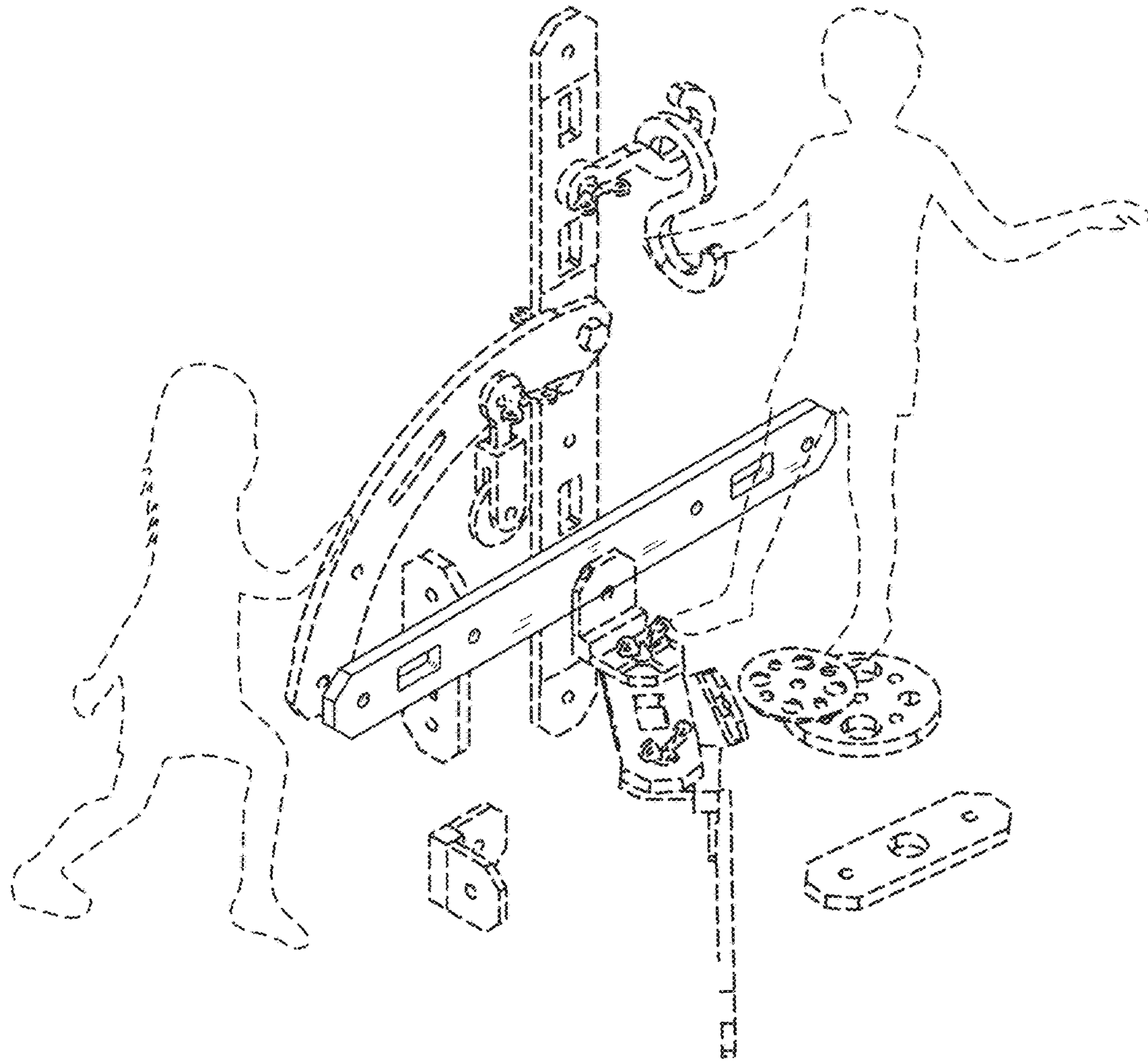


Fig 57