

US00D830469S

(12) **United States Design Patent** (10) **Patent No.:** **US D830,469 S**
Kermani et al. (45) **Date of Patent:** **** Oct. 9, 2018**

(54) **DRIFTING KART**

FOREIGN PATENT DOCUMENTS

(71) Applicant: **RAZOR USA LLC**, Cerritos, CA (US)

CN 2936826 8/2007
CN 200977859 11/2007

(72) Inventors: **Ali Kermani**, Cerritos, CA (US);
Robert Hadley, Cerritos, CA (US);
Robert (Wei-Pin) Chen, San Marino,
CA (US)

(Continued)

(73) Assignee: **Razor USA LLC**, Cerritos, CA (US)

(**) Term: **15 Years**

(21) Appl. No.: **29/612,025**

(22) Filed: **Jul. 27, 2017**

OTHER PUBLICATIONS

Aamoth, Doug, "Razor Builds the Ultimate Drifting Go-Kart: Why Must I Always Be Over the Weight Limit for Everything Good in This World?," Jul. 11, 2013, retrieved on Aug. 6, 2016, <http://techland.time.com/2013/07/11/razor-builds-the-ultimate-drifting-go-kart-why-must-i-always-be-over-the-weight-limit-for-everything-good-in-this-world/>, in 2 pages.

(Continued)

Related U.S. Application Data

Primary Examiner — Cynthia M. Chin

(63) Continuation of application No. 29/565,023, filed on May 17, 2016, now Pat. No. Des. 793,481.

(74) *Attorney, Agent, or Firm* — Knobbe, Martens, Olson & Bear, LLP

(51) **LOC (11) Cl.** **21-01**

(52) **U.S. Cl.**
USPC **D21/426**

(57) **CLAIM**

The ornamental design for a drifting kart, as shown and described.

(58) **Field of Classification Search**
USPC D21/419, 421, 423, 426, 662, 760, 765,
D21/766, 769, 771, 776, 803; D12/1, 6,
D12/130; 280/7.14, 11.115, 11.19, 11.27,
280/11.28, 14.21, 79.11, 79.2, 87.01,
280/87.021, 87.03, 87.041, 87.042, 607,
280/608, 609, 809; 180/180, 181;
434/247, 253, 258; D34/23, 28
CPC . A63C 17/00; A63C 17/0026; A63C 17/0033;
A63C 17/01; A63C 17/04; A63C 17/265;
A63C 17/26; A63C 17/28; B62K 3/002
See application file for complete search history.

DESCRIPTION

FIG. 1 is a top, front, left-side perspective view of a drifting kart of our design;
FIG. 2 is a bottom, front, right-side perspective view thereof;
FIG. 3 is a front elevation view thereof;
FIG. 4 is a rear elevation view thereof;
FIG. 5 is a right-side elevation view thereof;
FIG. 6 is a left-side elevation view thereof;
FIG. 7 is a top plan view thereof; and,
FIG. 8 is a bottom plan view thereof.
The dash-dot lines immediately adjacent the shaded areas represent the bounds of the claim and all other broken lines represent unclaimed portions of the article. None of the broken lines form a part of the claimed design.

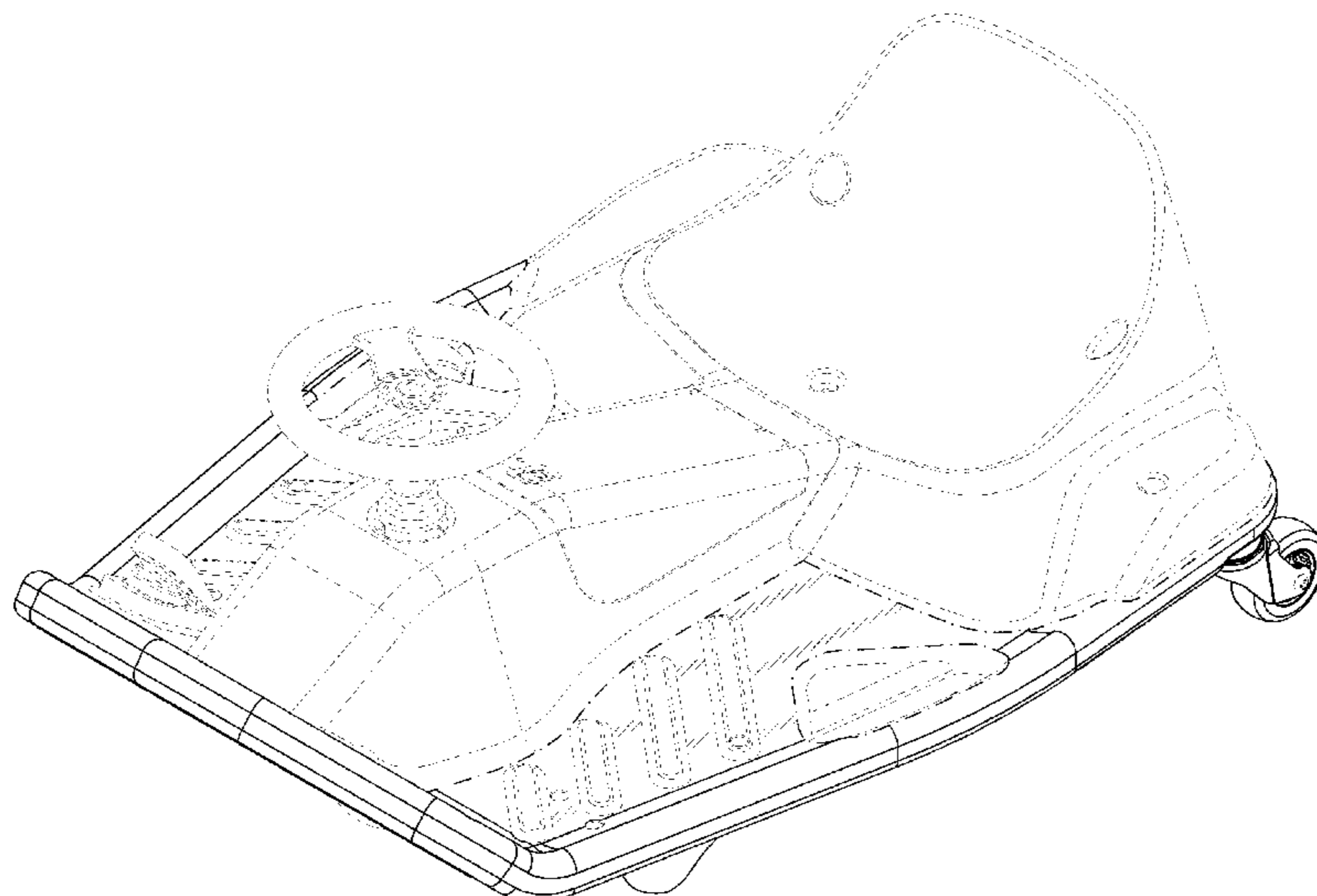
(56) **References Cited**

U.S. PATENT DOCUMENTS

3,062,559 A 6/1959 Hewitt
D189,614 S 1/1961 Beale

(Continued)

1 Claim, 7 Drawing Sheets



(56)

References Cited

U.S. PATENT DOCUMENTS

D190,024 S 4/1961 Rouse
 3,125,177 A 3/1964 Paller
 3,533,484 A 10/1970 Wood
 D222,283 S 10/1971 Reeves
 3,799,283 A 3/1974 Freber
 3,938,608 A 2/1976 Folco-Zambelli
 3,960,392 A 6/1976 Read
 D243,627 S 3/1977 Clower
 D246,198 S 10/1977 Rose
 D249,496 S 9/1978 Morgan
 D252,714 S 8/1979 Tidwell
 4,281,844 A 8/1981 Jackman et al.
 4,359,231 A 11/1982 Mulcahy
 4,403,673 A 9/1983 Ball
 D276,058 S 10/1984 Rogers
 D280,916 S 10/1985 Castle
 4,572,535 A 2/1986 Stewart
 D290,451 S 6/1987 Engum
 4,750,578 A 6/1988 Brandenfels
 4,826,190 A 5/1989 Hartmann
 4,898,508 A 2/1990 Hayata
 4,915,075 A 4/1990 Brown
 4,944,360 A 7/1990 Sturges
 4,993,733 A 2/1991 Eilers
 5,036,938 A 8/1991 Blount et al.
 D320,420 S 10/1991 Dupont
 D320,586 S 10/1991 Tellinghuisen
 D332,765 S 1/1993 Tellinghuisen
 D332,977 S 2/1993 Huffman et al.
 5,257,671 A 11/1993 Watkins
 5,265,690 A 11/1993 Amundsen et al.
 5,477,936 A 12/1995 Sugioka et al.
 5,479,998 A 1/1996 Ishikawa
 5,494,126 A 2/1996 Meeker
 D369,130 S 4/1996 Cummings
 D378,226 S 2/1997 Sundqvist
 5,628,379 A 5/1997 Watkins
 5,826,670 A 10/1998 Nan
 D408,869 S 4/1999 Patmont
 5,904,218 A 5/1999 Watkins
 6,026,923 A * 2/2000 Uphaus B60G 99/006
 180/312
 6,047,786 A 4/2000 Stevenson et al.
 D440,607 S 4/2001 Mahlow
 6,276,480 B1 8/2001 Aregger
 6,349,786 B1 * 2/2002 Gift A63G 25/00
 180/271
 D460,723 S 7/2002 Smit
 D466,560 S * 12/2002 Stolpmann D21/419
 D469,819 S 2/2003 Nicolle et al.
 D483,420 S 12/2003 Delong et al.
 D488,194 S 4/2004 Fox et al.
 6,749,039 B1 6/2004 Uphaus
 6,766,871 B2 7/2004 Sawyer
 D512,467 S 12/2005 Hadley et al.
 7,117,967 B2 10/2006 Kidd
 7,198,322 B2 * 4/2007 Savo B62D 35/005
 296/180.5
 D562,914 S 2/2008 Oveson et al.
 D570,572 S * 6/2008 Whiteside D34/23
 D574,297 S 8/2008 Carl

D575,675 S 8/2008 Williams et al.
 D582,992 S 12/2008 Alais
 7,552,934 B2 6/2009 Lee et al.
 D608,250 S 1/2010 Van De
 D611,106 S 3/2010 Van Beek
 7,712,558 B2 5/2010 Helson et al.
 7,823,675 B2 11/2010 Kermani
 D637,116 S * 5/2011 Kettler D12/107
 D637,660 S * 5/2011 Markowitz D21/424
 8,091,658 B2 1/2012 Peng
 8,356,686 B2 1/2013 Kermani
 8,365,850 B2 2/2013 Gal et al.
 D682,746 S 5/2013 Doherty et al.
 D692,505 S 10/2013 Jiang
 D692,506 S 10/2013 Jiang
 8,801,005 B1 * 8/2014 Flickner B62B 3/04
 280/35
 8,875,831 B2 11/2014 Kermani
 9,102,375 B2 8/2015 Kermani
 9,139,248 B2 9/2015 Xiao
 D761,700 S 7/2016 Kermani
 D766,780 S 9/2016 Fusco
 D771,196 S 11/2016 Chen
 9,499,220 B2 11/2016 Kermani
 D774,602 S 12/2016 Desberg
 D774,981 S 12/2016 Chen
 D775,282 S 12/2016 Williams et al.
 D778,369 S 2/2017 Douma et al.
 D783,726 S 4/2017 Williams et al.
 D787,379 S 5/2017 Kermani
 D792,811 S * 7/2017 Kermani D12/112
 D793,480 S 8/2017 Chen
 D793,481 S 8/2017 Kermani et al.
 D793,912 S 8/2017 Kermani
 D807,438 S * 1/2018 Desberg D21/425
 2004/0035627 A1 2/2004 Richey et al.
 2004/0040769 A1 3/2004 Richey et al.
 2004/0199311 A1 10/2004 Aguilar et al.
 2007/0045022 A1 3/2007 Greig et al.
 2008/0196951 A1 8/2008 Gal et al.
 2009/0065272 A1 3/2009 Martin et al.
 2010/0032223 A1 2/2010 Kermani
 2012/0133111 A1 5/2012 Schmutzer et al.
 2017/0156953 A1 6/2017 Kermani
 2018/0029458 A1 2/2018 Chen et al.
 2018/0043950 A1 2/2018 Kermani et al.

FOREIGN PATENT DOCUMENTS

CN 203186508 U 9/2013
 CN 203427959 U 2/2014
 EP 0529188 A1 3/1993
 WO WO 2018/035060 A1 2/2018

OTHER PUBLICATIONS

OTL Elektrokart, "Storm Series—Competition" Datasheet, Jun. 14, 2014, retrieved on Aug. 6, 2016, <https://www.kart1.com/pdf/competition.pdf>, in 3 pages.
 International Written Opinion of International Patent Application No. PCT/CN2017/072086, dated May 19, 2017.

* cited by examiner

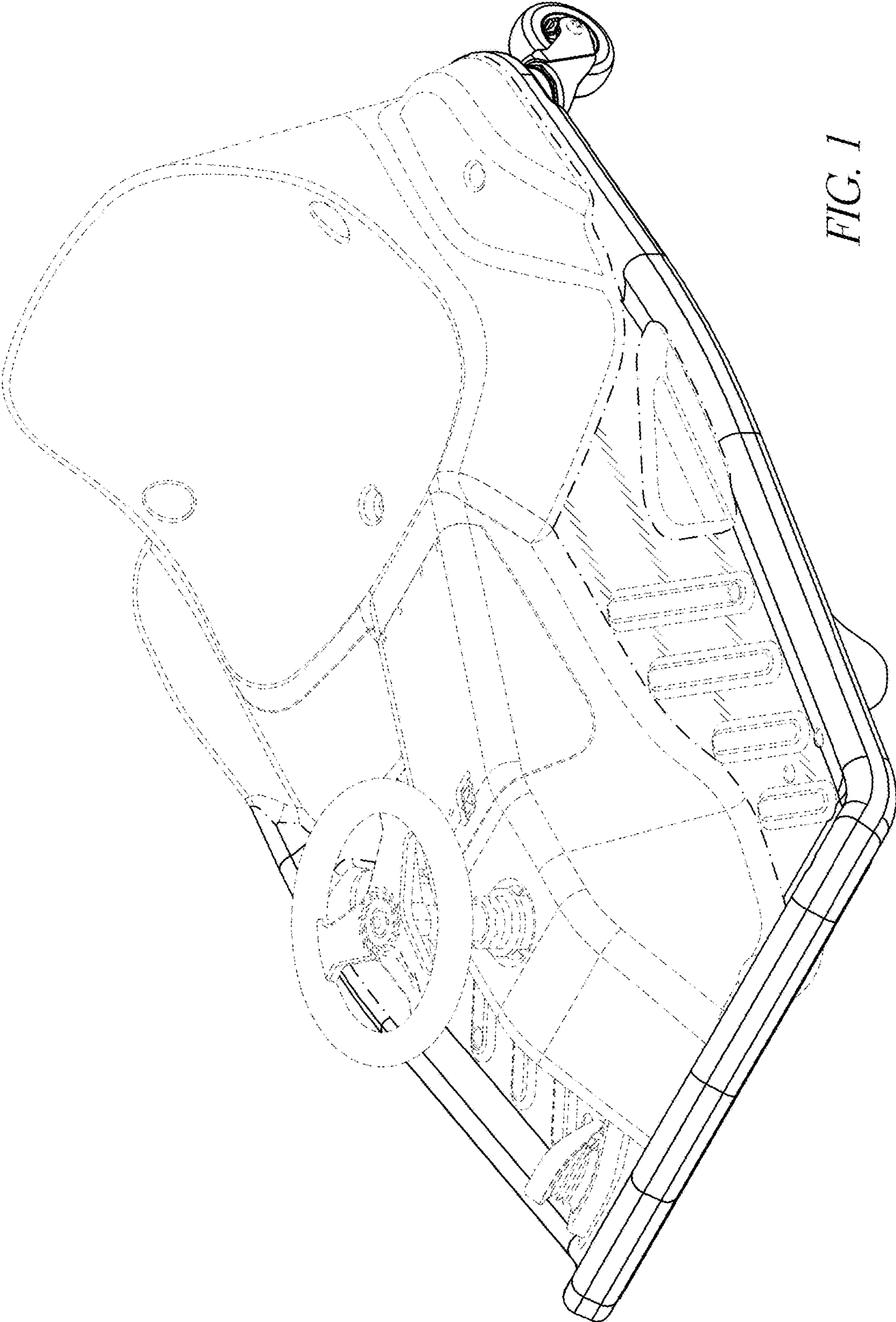


FIG. 1

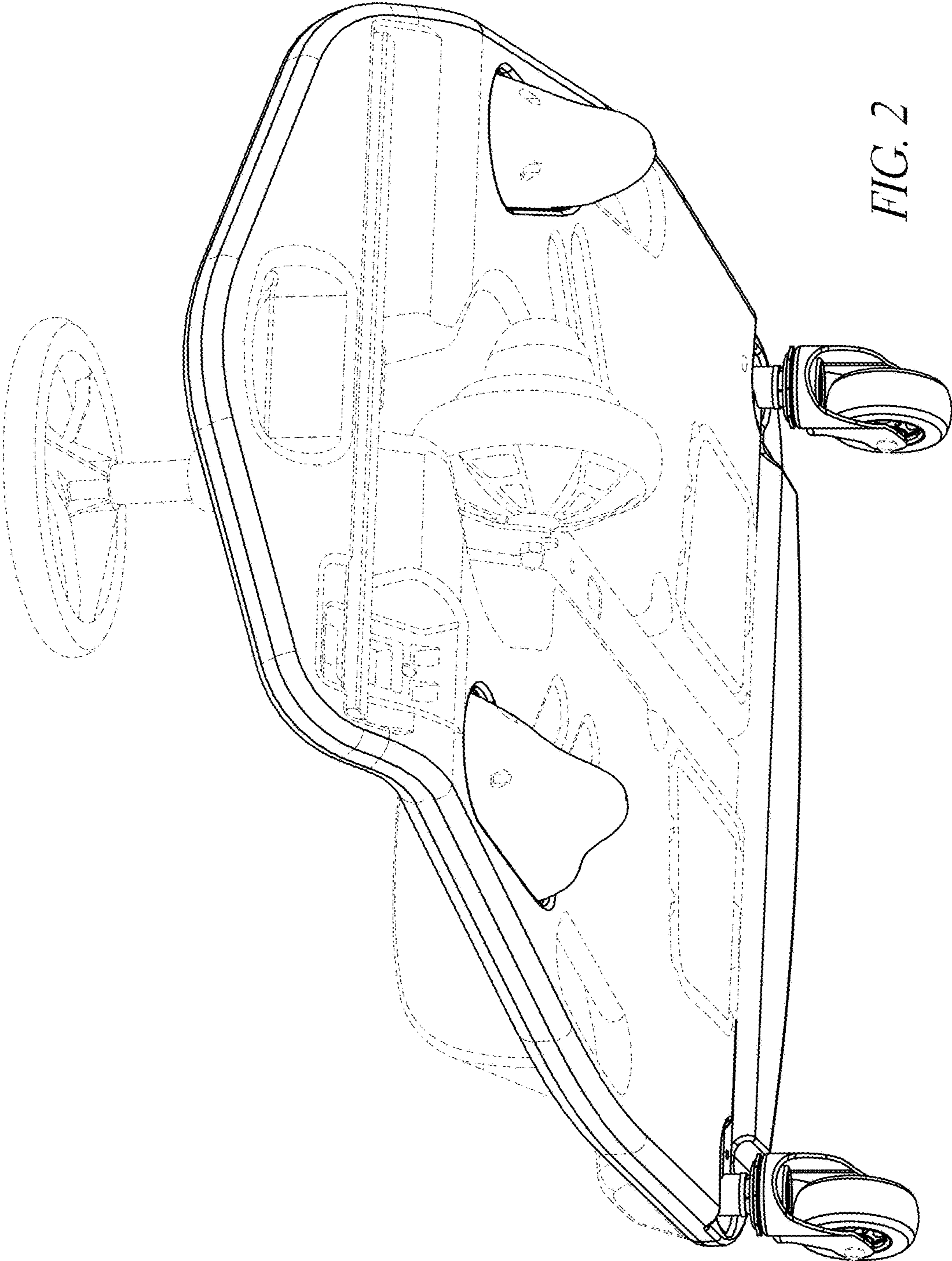


FIG. 2

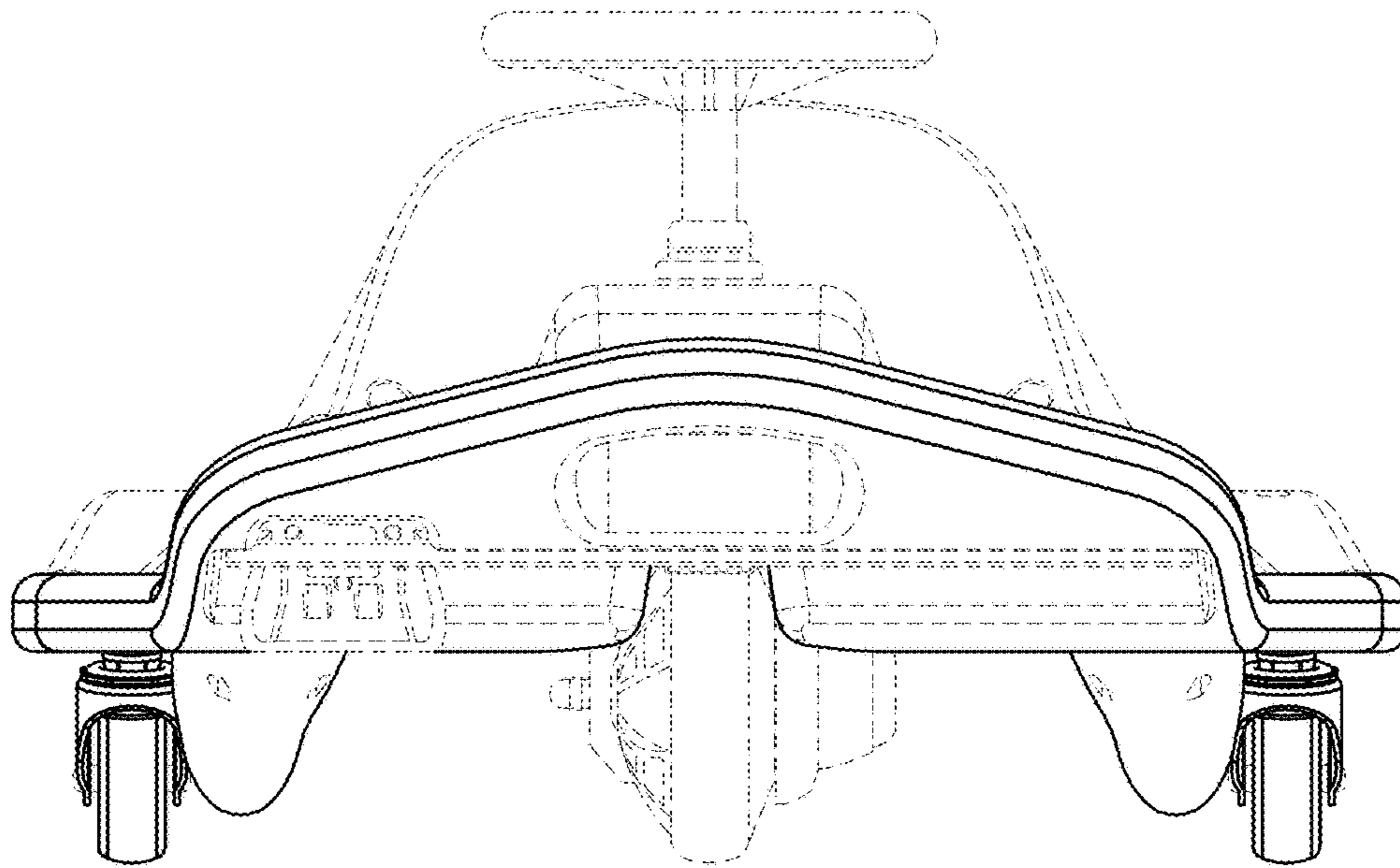


FIG. 3

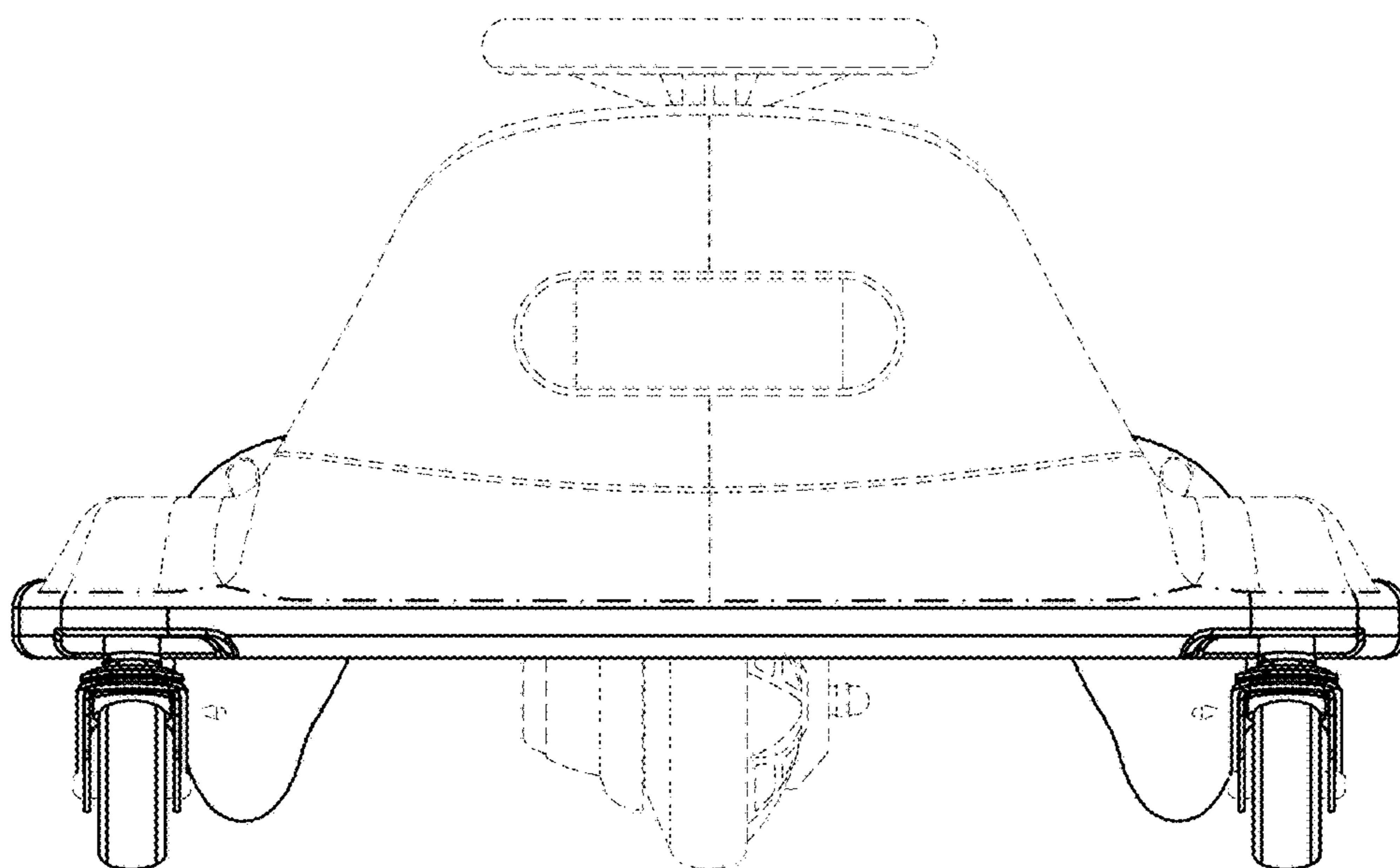


FIG. 4

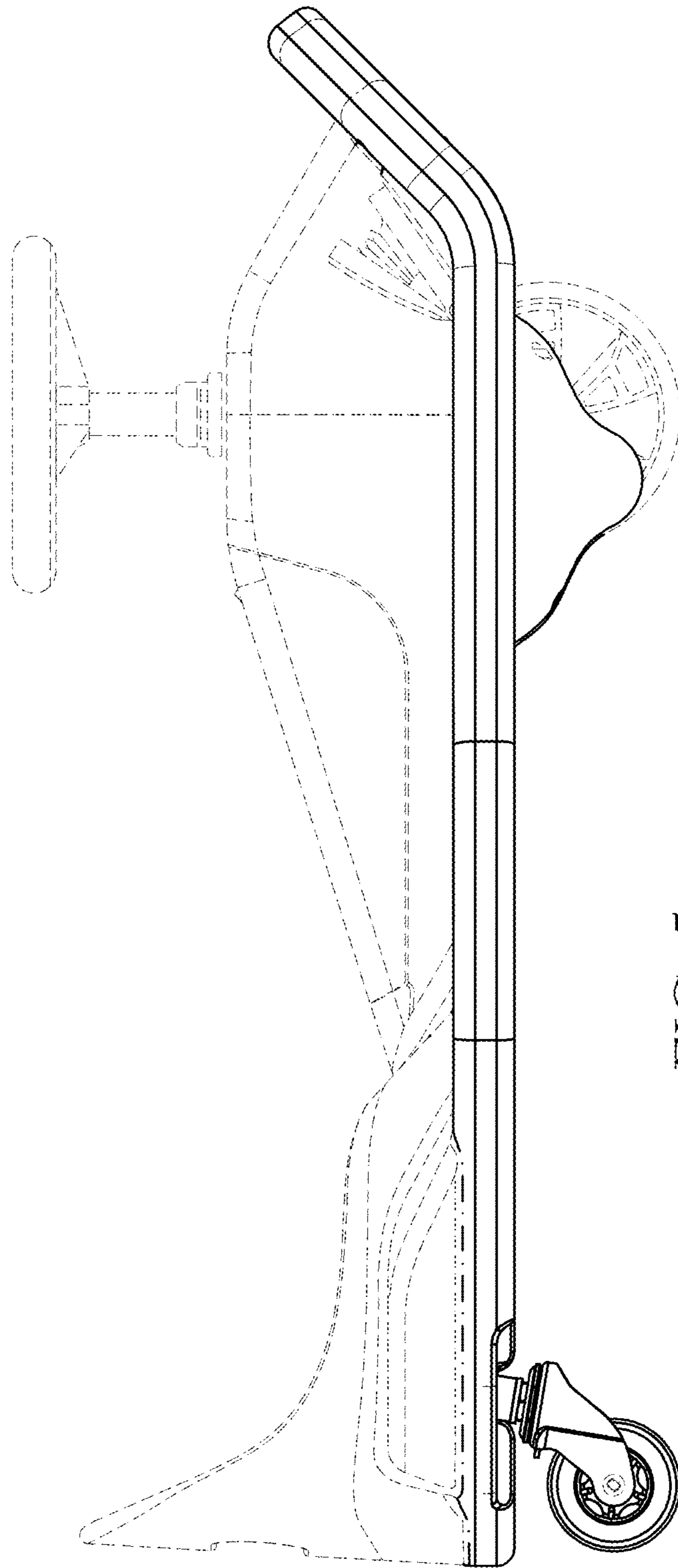


FIG. 5

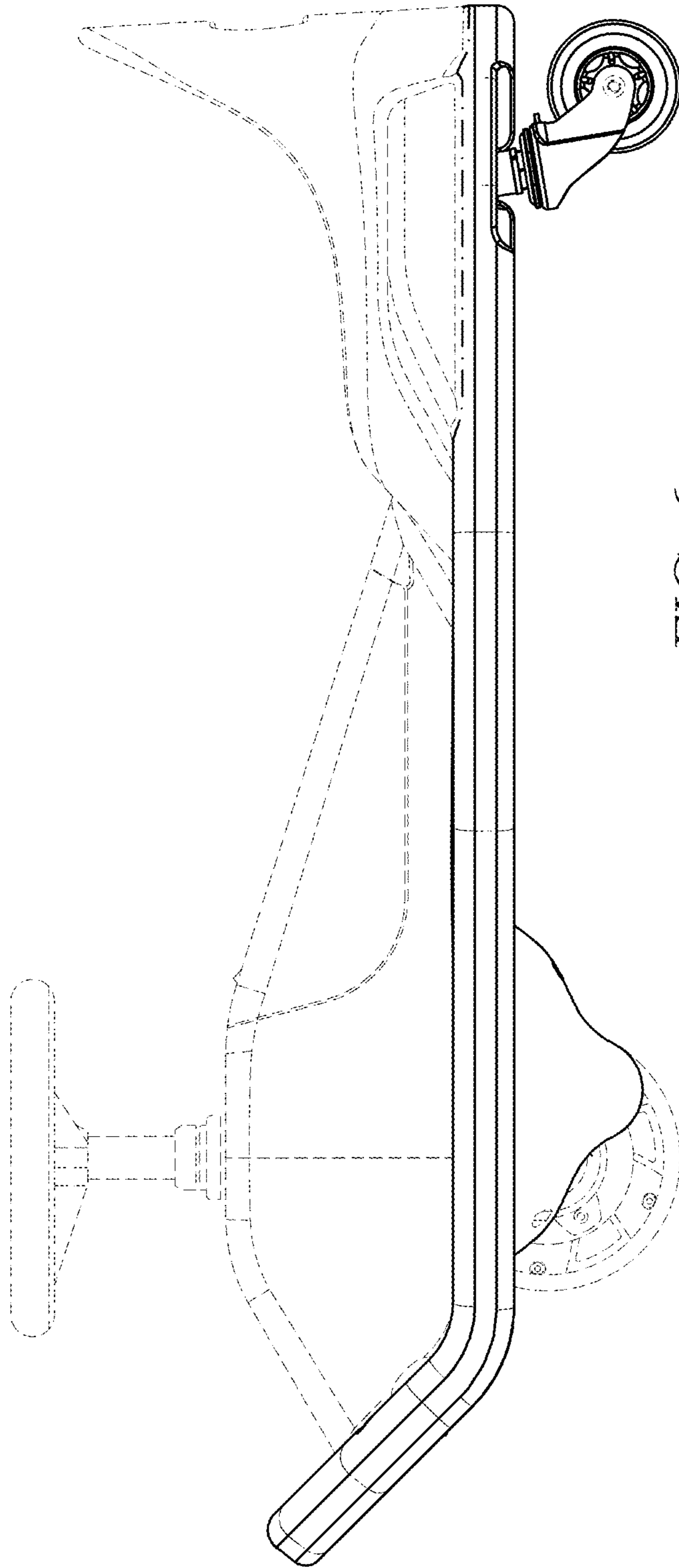


FIG. 6

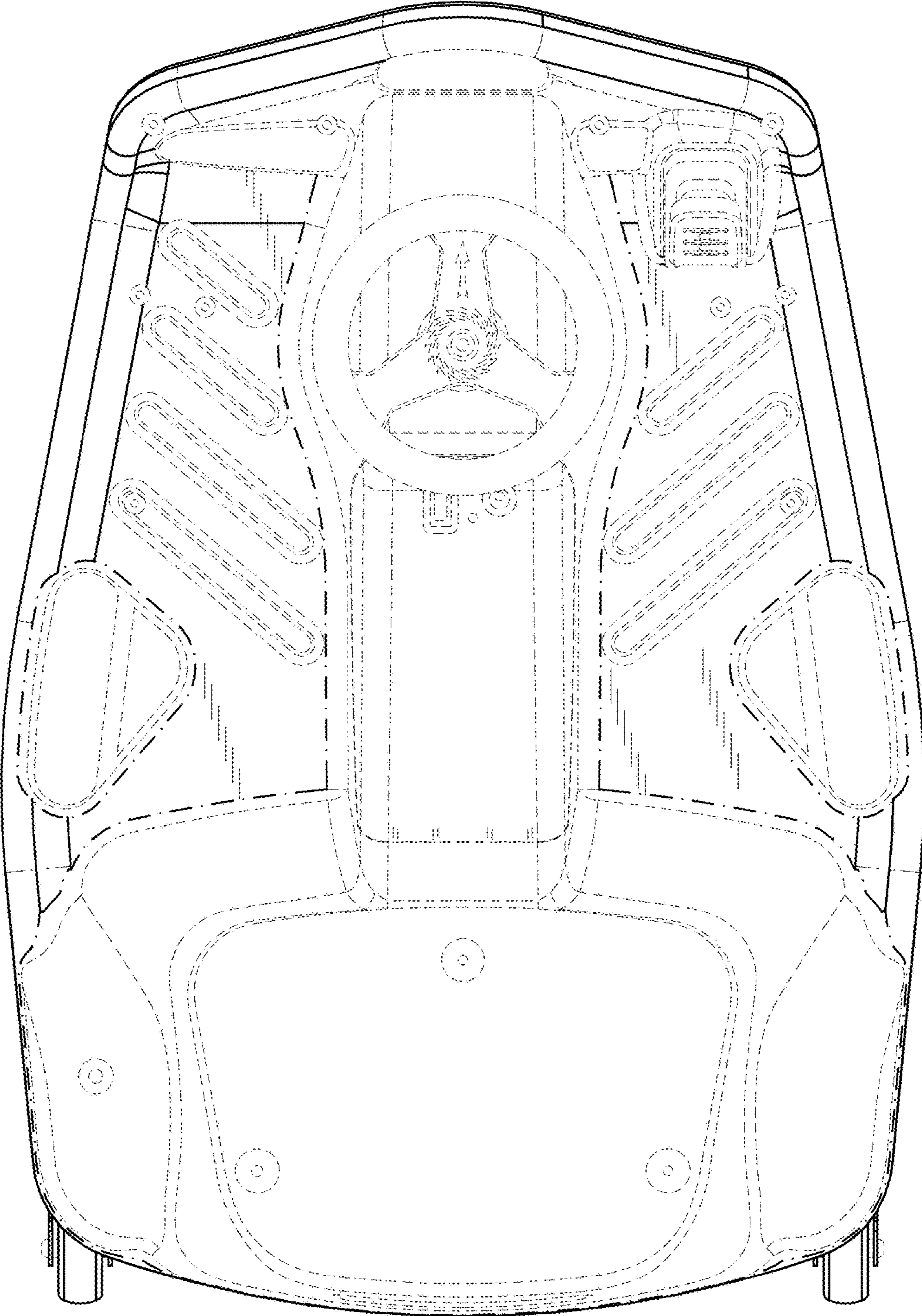


FIG. 7

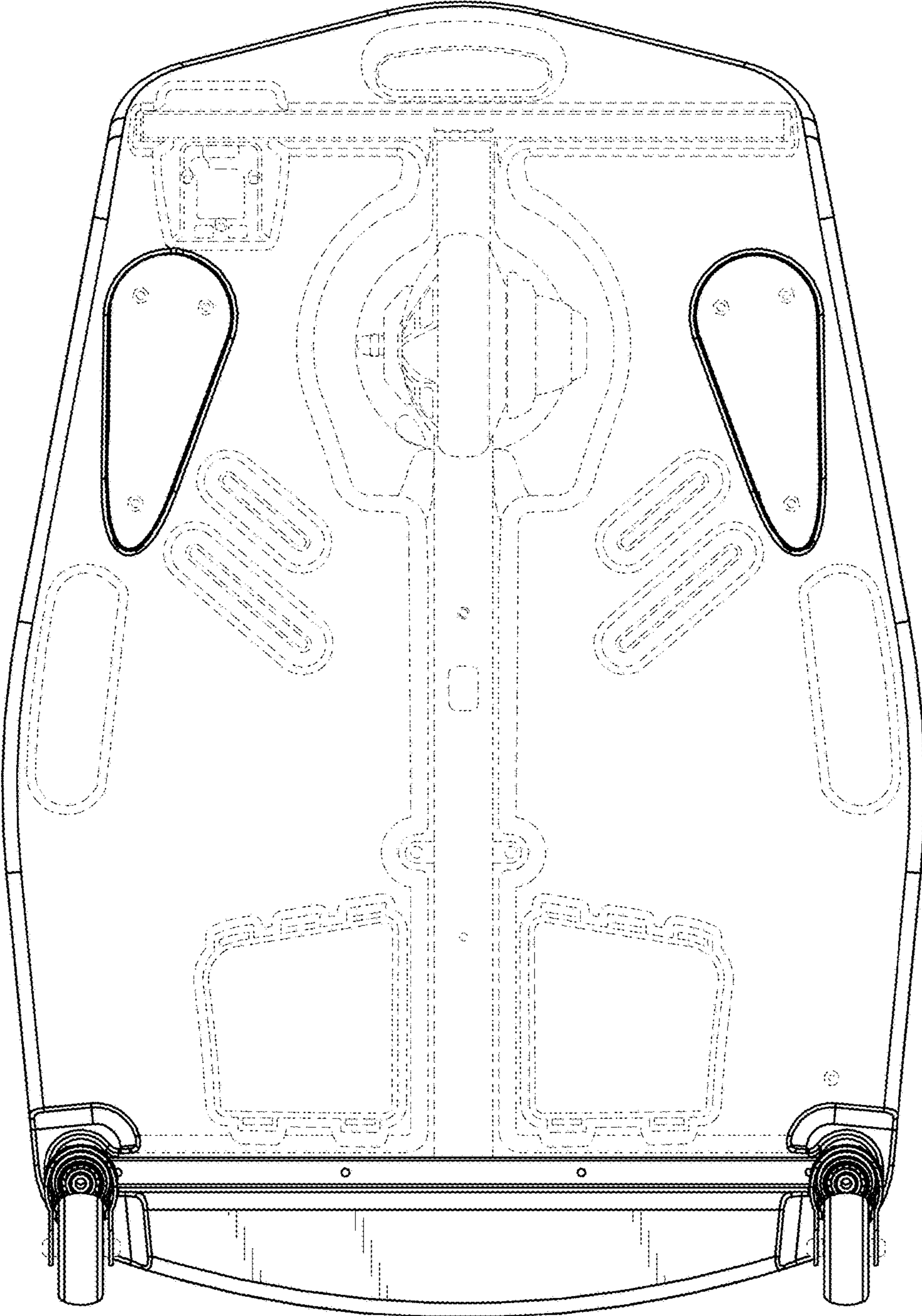


FIG. 8