



US00D830468S

(12) **United States Design Patent**
Liu

(10) **Patent No.:** **US D830,468 S**

(45) **Date of Patent:** **** Oct. 9, 2018**

- (54) **SCOOTER**
- (71) Applicant: **Antang Liu**, Guangdong (CN)
- (72) Inventor: **Antang Liu**, Guangdong (CN)
- (73) Assignee: **X.L.T. International Electronics Co. Ltd**, Shenzhen (CN)
- (**) Term: **15 Years**
- (21) Appl. No.: **29/619,724**
- (22) Filed: **Oct. 1, 2017**
- (51) **LOC (11) Cl.** **21-01**
- (52) **U.S. Cl.**
USPC **D21/423**
- (58) **Field of Classification Search**
USPC D21/419, 421, 423, 426, 662, 760, 765,
D21/766, 769, 771, 776, 803
CPC A63C 17/01; A63C 17/011; A63C 17/012;
A63C 17/014; A63C 17/015; A63C
17/02; A63C 17/26; A63C 5/003; B60Q
1/326; B62K 3/001
See application file for complete search history.

(56) **References Cited**

U.S. PATENT DOCUMENTS

D435,873 S *	1/2001	Lee	D21/423
D435,874 S *	1/2001	Cheng	D21/423
D438,911 S *	3/2001	Chen	D21/423
D438,912 S *	3/2001	Barrera	D21/423
D447,187 S	8/2001	Powers		
D452,284 S	12/2001	McGinnis		
D497,397 S *	10/2004	Sramek	D21/423
D497,957 S *	11/2004	Chuang	D21/423
D645,522 S *	9/2011	Powers	D21/423
D671,600 S *	11/2012	Horne	D21/423
D686,674 S *	7/2013	Hadley	D21/423
D691,671 S *	10/2013	Chen	D21/423
D692,963 S *	11/2013	Radtke	D21/423

D693,414 S *	11/2013	Hadley	D21/423
D710,949 S *	8/2014	Huang	D21/423
D727,434 S *	4/2015	O'connell	D21/423
D727,833 S *	4/2015	Talios	D12/423
D728,033 S *	4/2015	O'connell	D21/423
D736,324 S *	8/2015	Lu	D21/423
D748,738 S *	2/2016	Hadley	D21/423
D750,180 S *	2/2016	Edlauer	D21/423
D756,464 S *	5/2016	Edlauer	D21/423
D756,465 S *	5/2016	Byrne	D21/423
D772,990 S *	11/2016	Allais	D21/423
D774,145 S *	12/2016	Hadley	D21/423
D777,261 S *	1/2017	Desberg	D21/423
D777,844 S *	1/2017	O Connell	D21/423
D783,724 S *	4/2017	Pickavance	D12/192
D795,354 S *	8/2017	Desberg	D21/423
D806,176 S *	12/2017	Peng	D21/423
D810,836 S *	2/2018	Hadley	D21/423
D811,489 S *	2/2018	Hadley	D21/423

(Continued)

Primary Examiner — Robin V Webster
(74) *Attorney, Agent, or Firm* — Minder Law Group;
Willy H. Wong

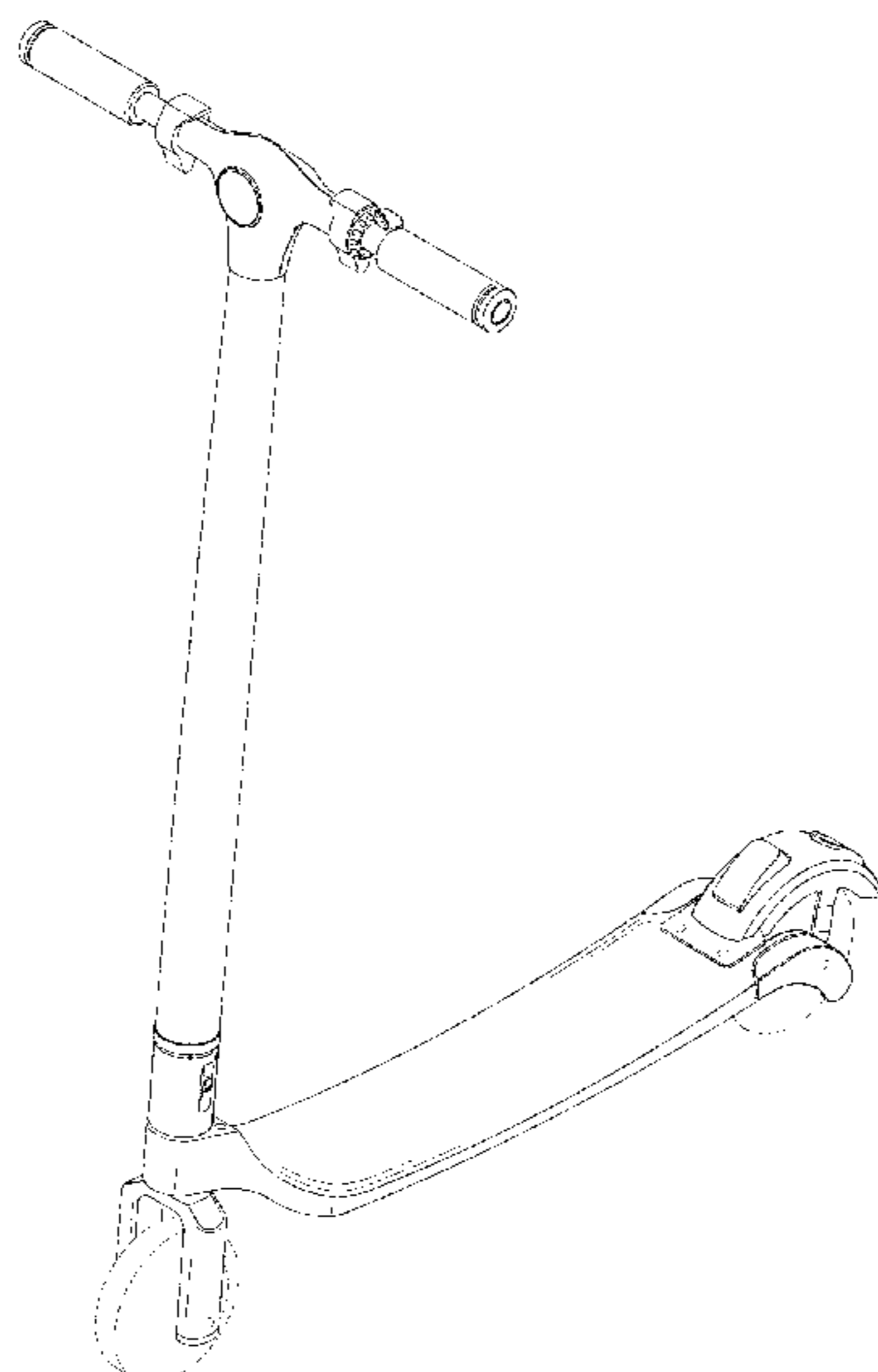
(57) **CLAIM**

The ornamental design for a scooter, as shown and described.

DESCRIPTION

FIG. 1 is a perspective view of a scooter in accordance with the present invention.
FIG. 2 is a front side view thereof.
FIG. 3 is a back side view thereof.
FIG. 4 is a left view thereof.
FIG. 5 is a right view thereof.
FIG. 6 is a top view thereof; and,
FIG. 7 is a bottom view thereof.
The broken lines showing of portions of the scooter are for the purpose of illustrating environmental structure and form no part of the claimed design.

1 Claim, 7 Drawing Sheets



(56)

References Cited

U.S. PATENT DOCUMENTS

D815,215 S * 4/2018 Desberg D21/423
D818,541 S * 5/2018 Huang D21/423

* cited by examiner

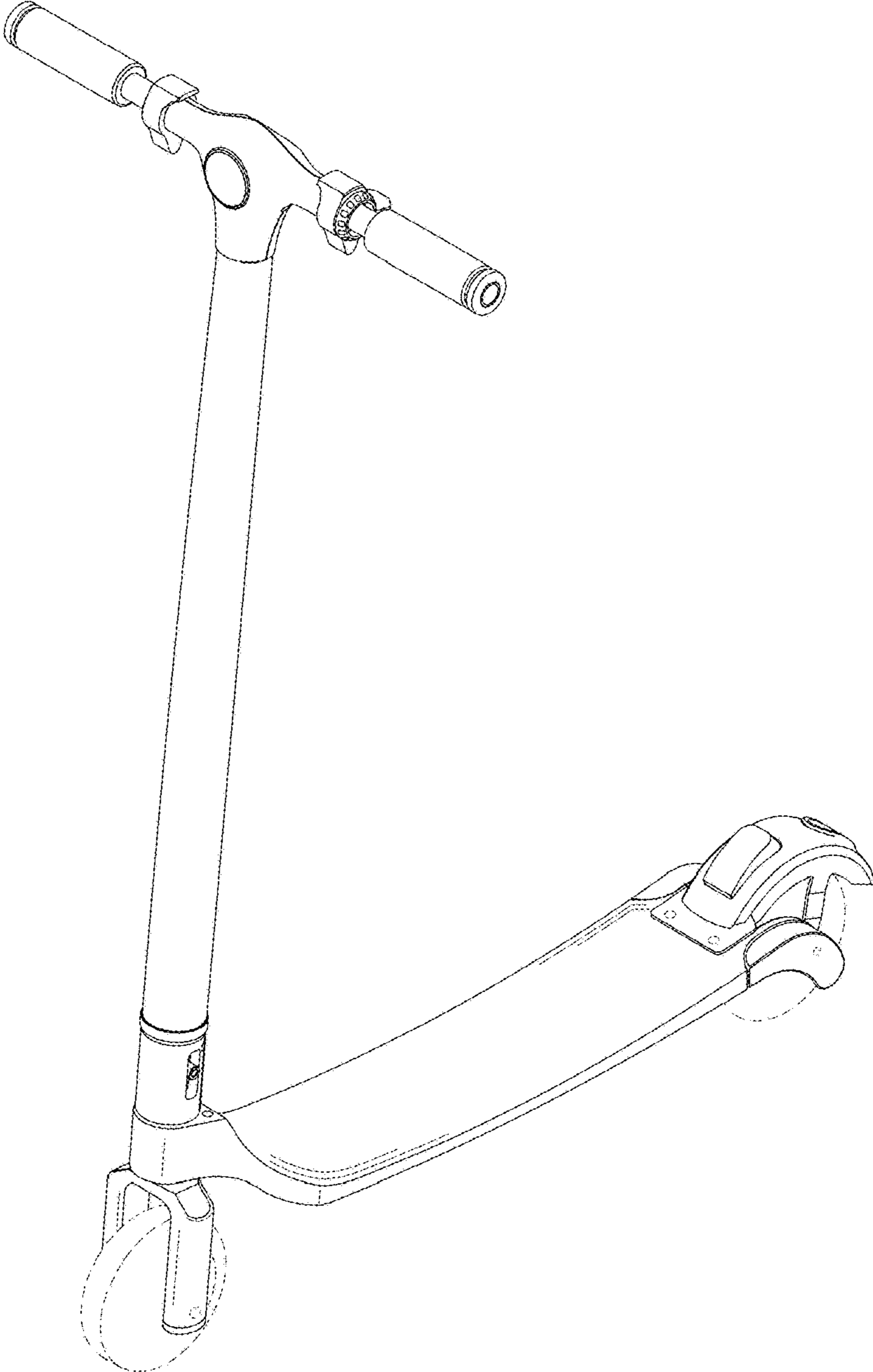


FIG.1

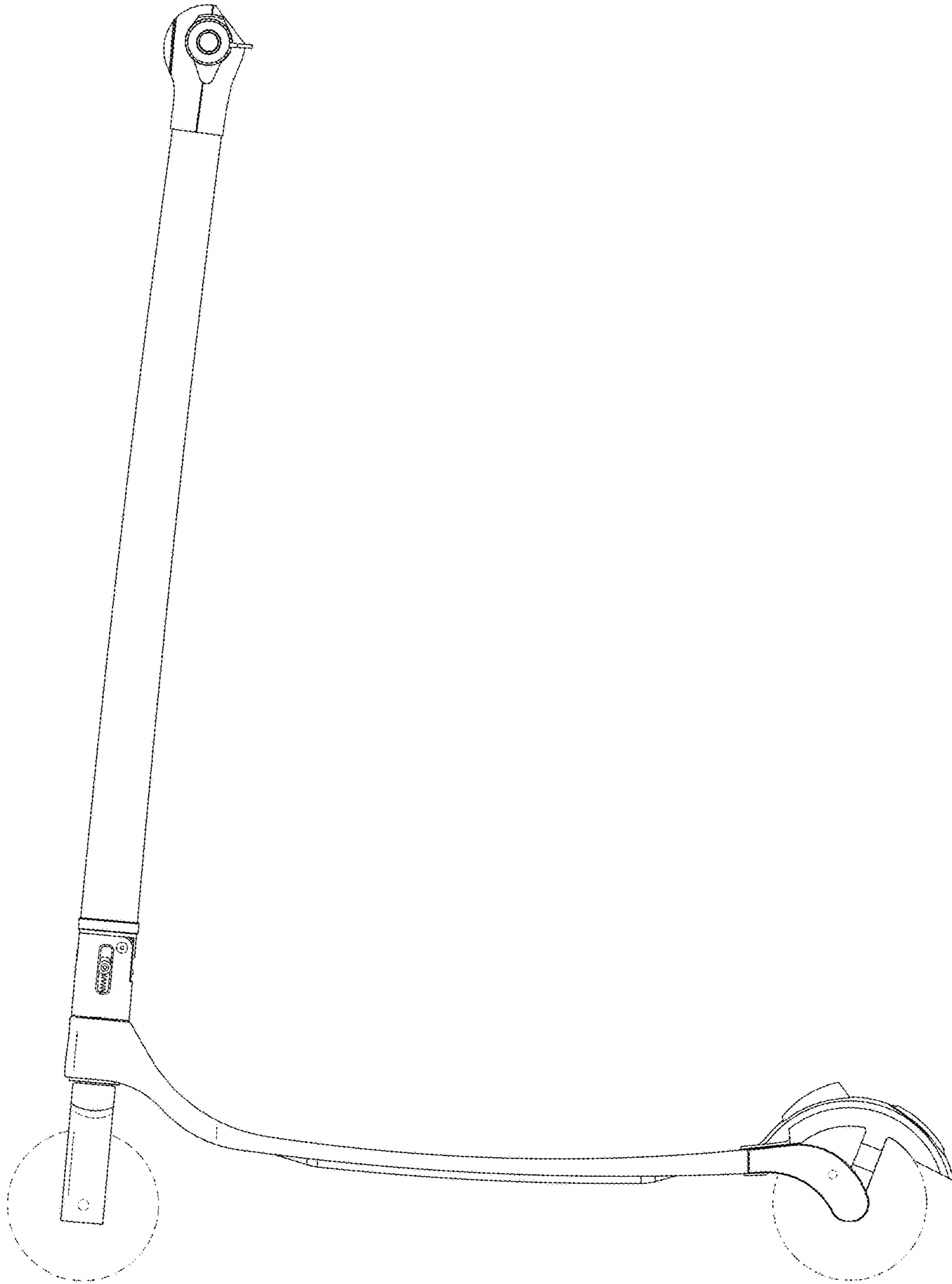


FIG.2

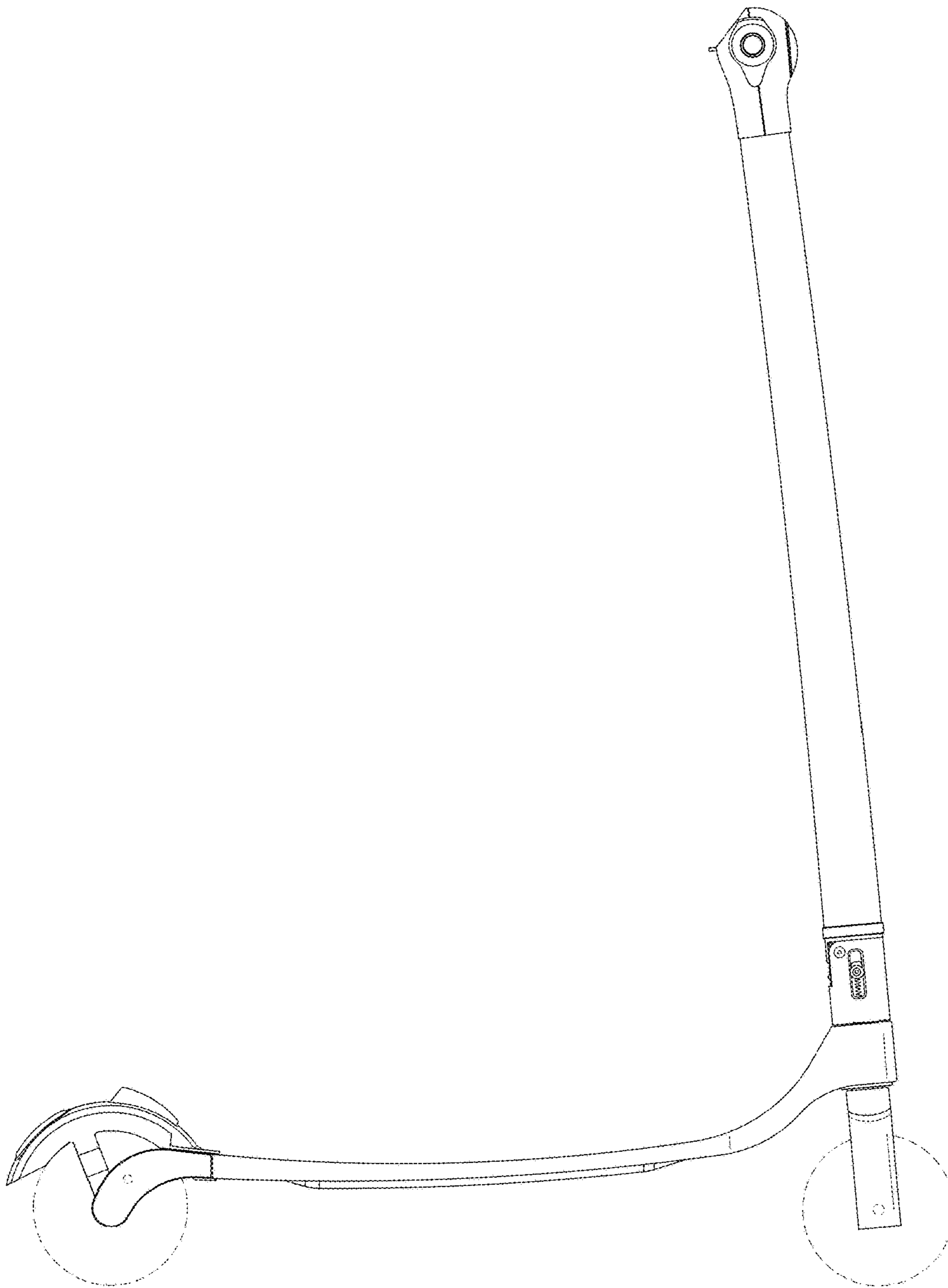


FIG.3

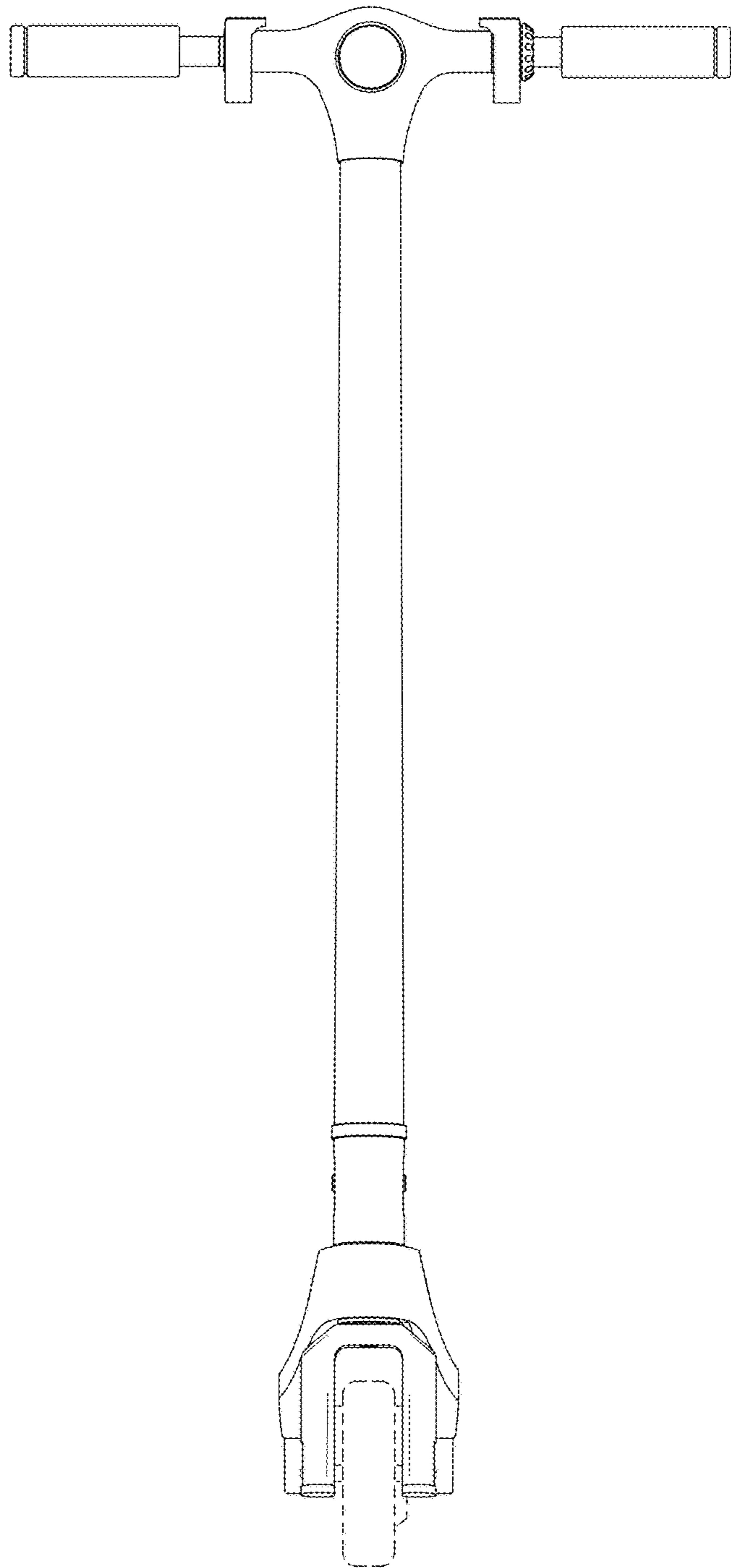


FIG.4

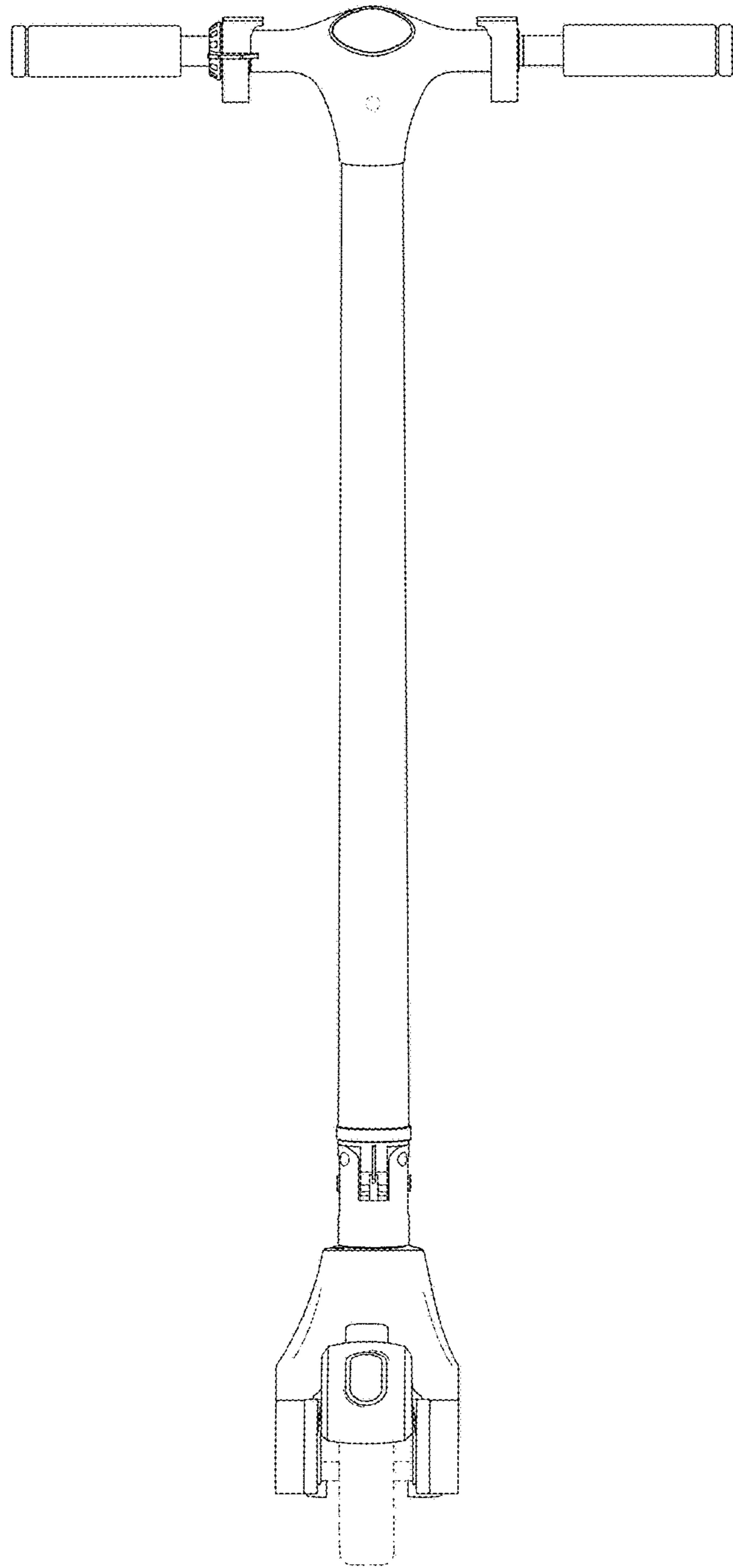


FIG. 5

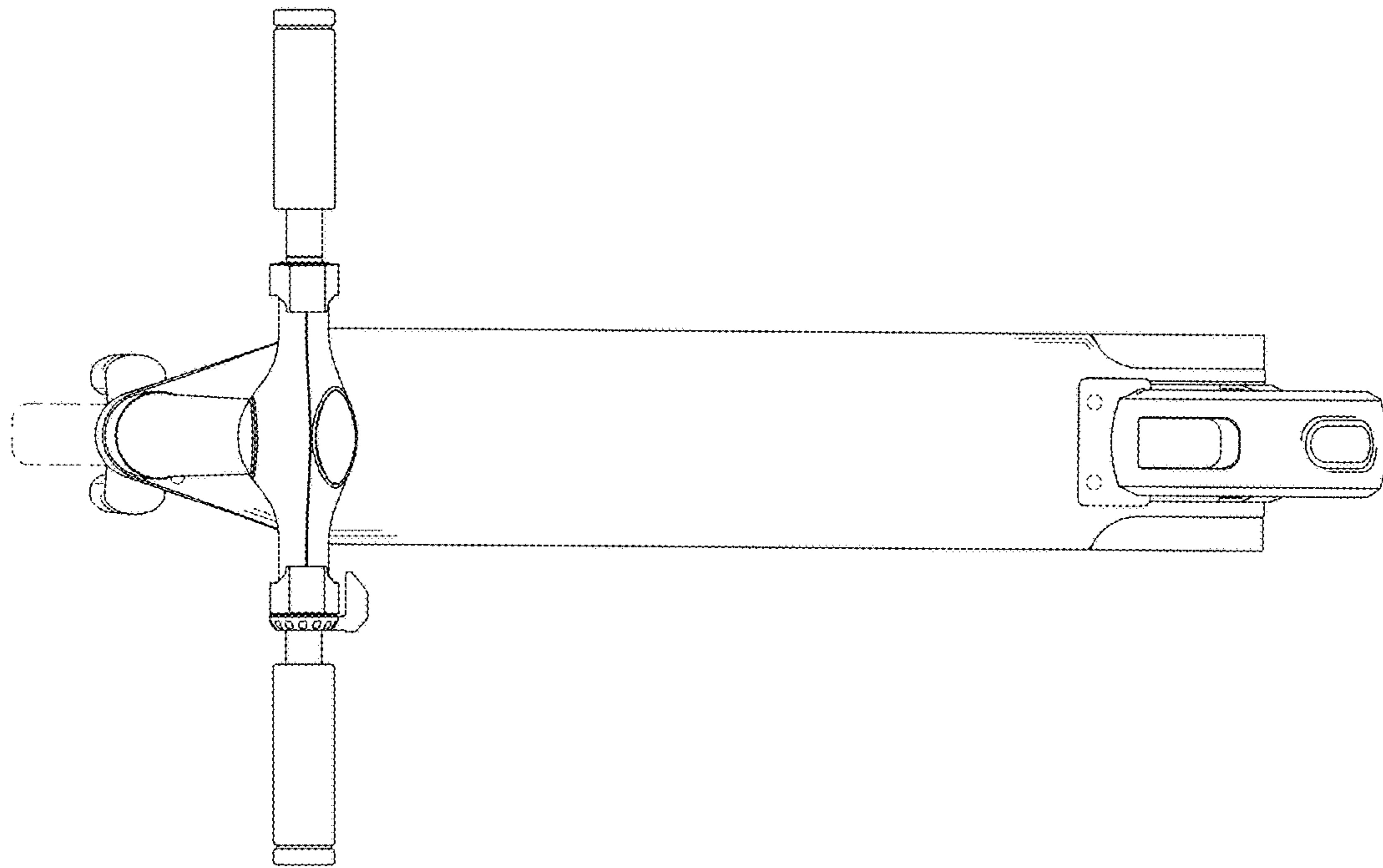


FIG.6

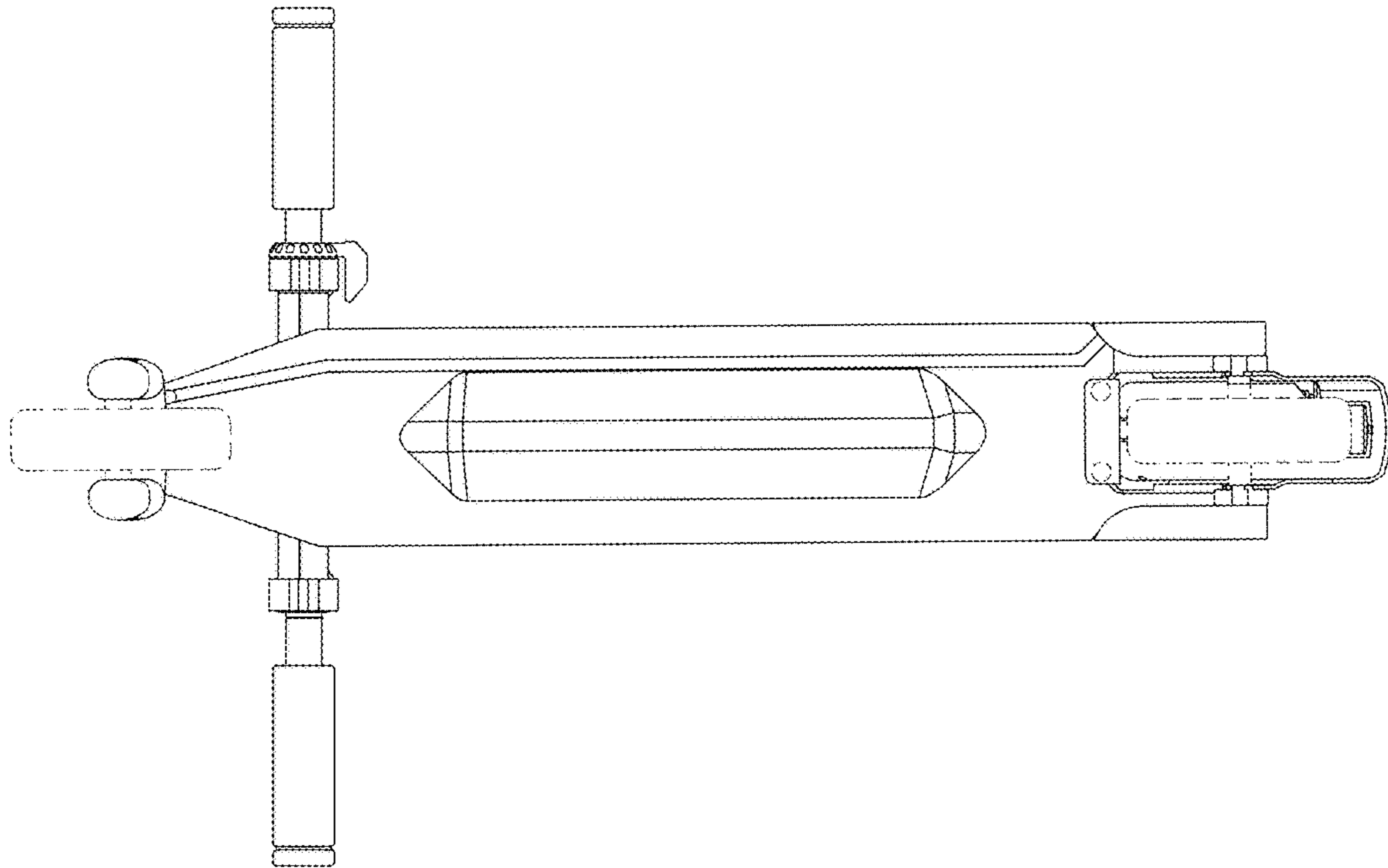


FIG. 7