

US00D830462S

(12) **United States Design Patent**
Takanashi

(10) **Patent No.:** **US D830,462 S**

(45) **Date of Patent:** **** Oct. 9, 2018**

- (54) **PEN**
- (71) Applicant: **Mitsubishi Pencil Company, Limited,**
Tokyo (JP)
- (72) Inventor: **Kazuhiko Takanashi,** Tokyo (JP)
- (73) Assignee: **MITSUBISHI PENCIL COMPANY,**
LIMITED, Tokyo (JP)
- (**) Term: **15 Years**
- (21) Appl. No.: **29/605,024**
- (22) Filed: **May 23, 2017**

5,000,599	A *	3/1991	McCall	B43K 5/005
					16/430
D332,626	S *	1/1993	Wada	D19/163
D456,846	S *	5/2002	Pellisa Beneyto	D19/173
D523,081	S *	6/2006	Pellisa Beneyto	D19/174
D564,026	S *	3/2008	Bhavnani	D19/173
D589,559	S *	3/2009	Slemp	D19/169
D593,604	S *	6/2009	Yu	D19/173
D596,228	S *	7/2009	Koch	D19/173
D611,538	S *	3/2010	Zhou	D19/173
D648,387	S *	11/2011	Liang	D19/172
D664,196	S *	7/2012	Buchler	D19/173
D697,970	S *	1/2014	Jin	D19/173
D697,971	S *	1/2014	Jin	D19/172
D724,148	S *	3/2015	Bo	D19/173

(Continued)

(30) **Foreign Application Priority Data**

Nov. 24, 2016 (JP) 2016-025542

(51) **LOC (11) Cl.** **19-06**

(52) **U.S. Cl.**
USPC **D19/173; D19/923**

(58) **Field of Classification Search**
USPC D14/411; D19/115–204
CPC . B43K 5/005; B43K 7/12; B43K 8/04; B43K
8/06; B43K 19/00; B43K 19/02; B43K
19/14; B43K 21/006; B43K 21/06
See application file for complete search history.

(56) **References Cited**

U.S. PATENT DOCUMENTS

D189,803	S *	2/1961	Riepe	D19/163
3,463,323	A *	8/1969	Riepe	B43M 99/007
					211/69.5
3,866,992	A *	2/1975	Katz	B43M 99/007
					211/69.5
D271,212	S *	11/1983	Itoh	D19/165
4,548,325	A *	10/1985	Hojer	B43M 99/007
					211/69.5
D285,937	S *	9/1986	Booker	D19/174

FOREIGN PATENT DOCUMENTS

JP	D1333079	6/2008
JP	D1373779	11/2009

(Continued)

Primary Examiner — Elizabeth A Albert
(74) *Attorney, Agent, or Firm* — Andrew F. Young, Esq.;
Lackenbach Siegel, LLP

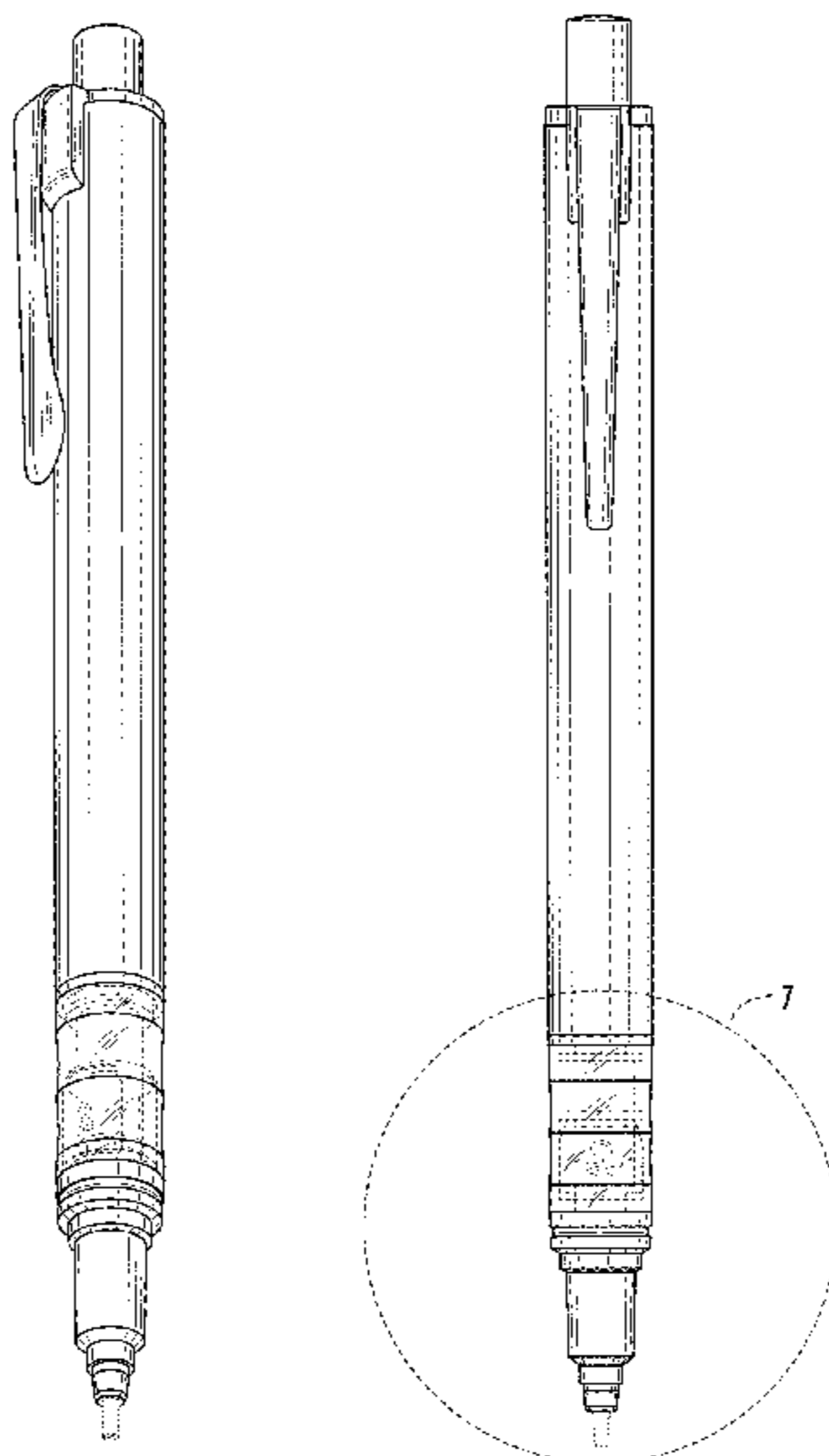
(57) **CLAIM**

The ornamental design for a pen, as shown and described.

DESCRIPTION

FIG. 1 is a perspective view of a pen.
FIG. 2 is a front view of FIG. 1.
FIG. 3 is a right side elevation view of FIG. 1.
FIG. 4 is a rear elevation view of FIG. 1.
FIG. 5 is a top plan view of FIG. 1.
FIG. 6 is a bottom plan view of FIG. 1; and,
FIG. 7 shows the detailed view of FIG. 2.
The unclaimed broken lines in FIGS. 1, 2, 3, 4, 6, and 7, are included to show portions that form no part of the claimed design.

1 Claim, 4 Drawing Sheets



(56)

References Cited

U.S. PATENT DOCUMENTS

D724,670 S * 3/2015 Yokoyama D19/174
D736,855 S * 8/2015 Fan D19/173
9,545,813 B2* 1/2017 Fukumoto B43K 1/08

FOREIGN PATENT DOCUMENTS

JP D1523622 5/2015
JP D1536578 11/2015

* cited by examiner

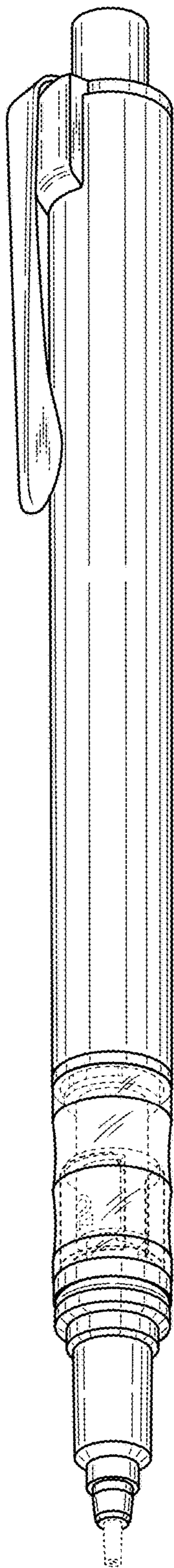


FIG. 1

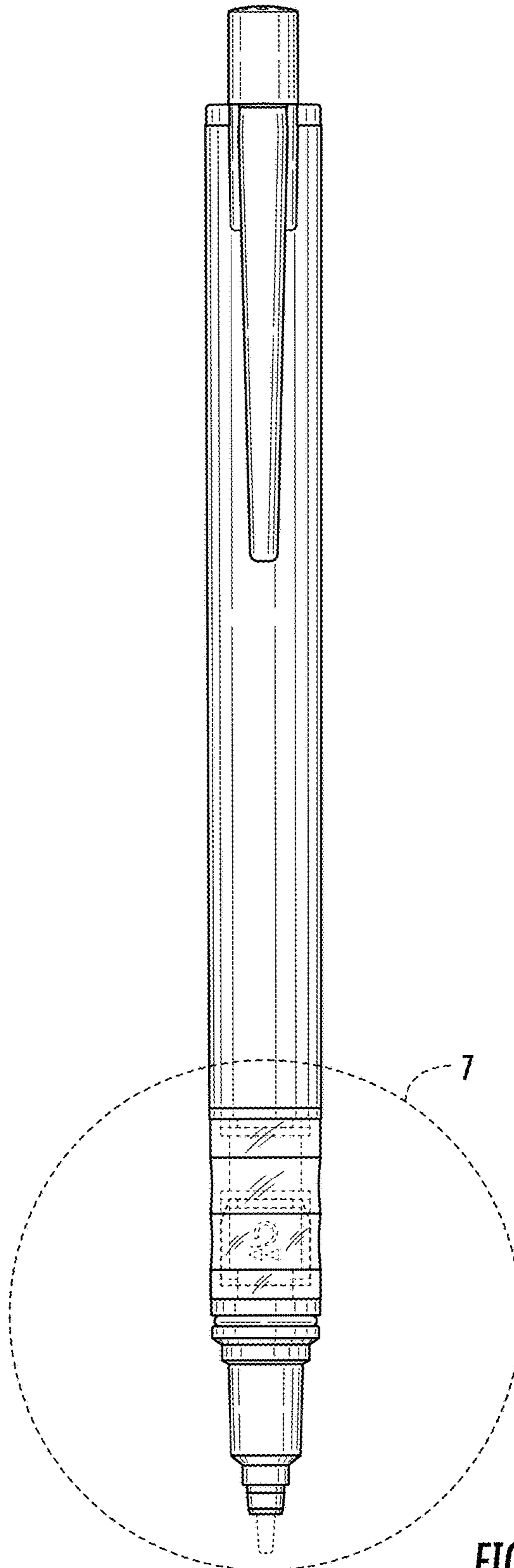


FIG. 2

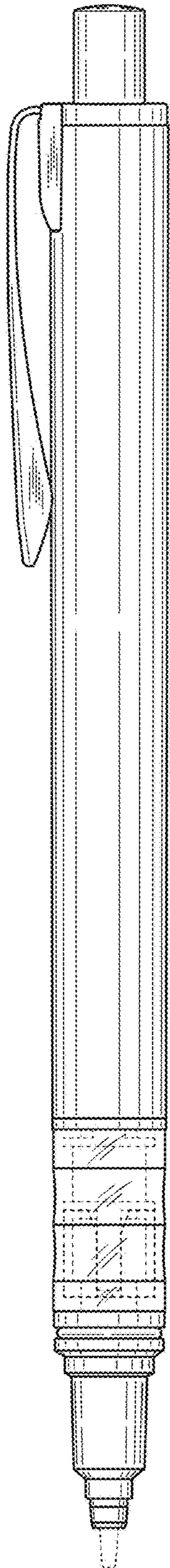


FIG. 3

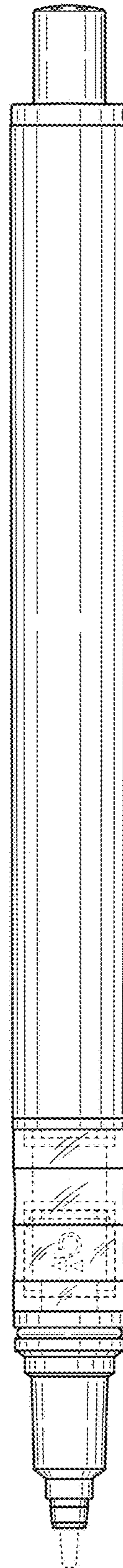


FIG. 4

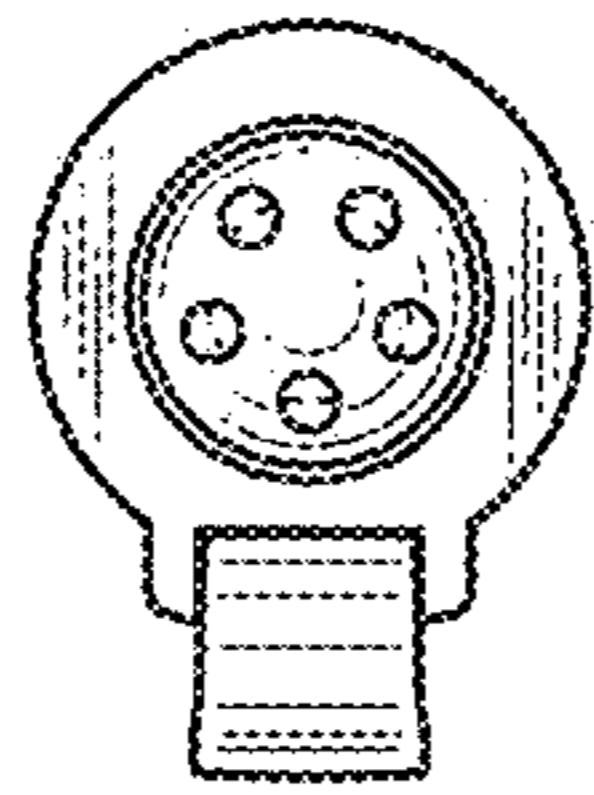


FIG. 5

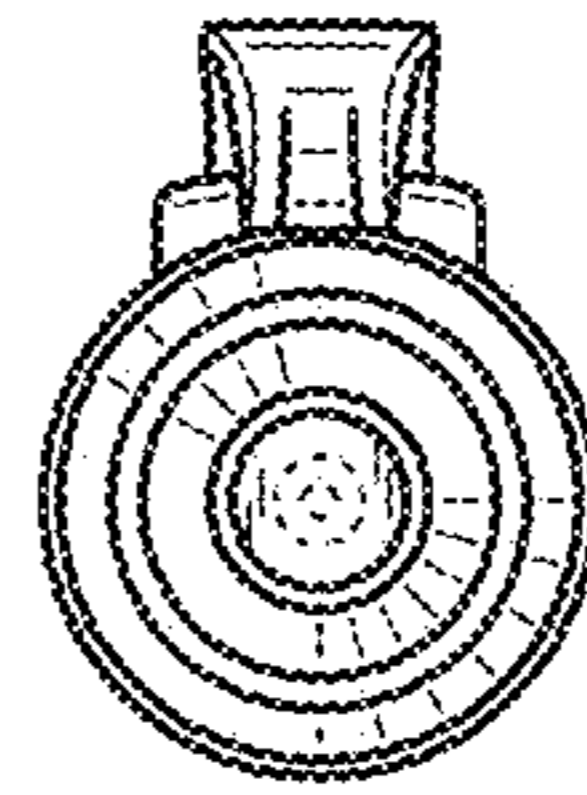


FIG. 6

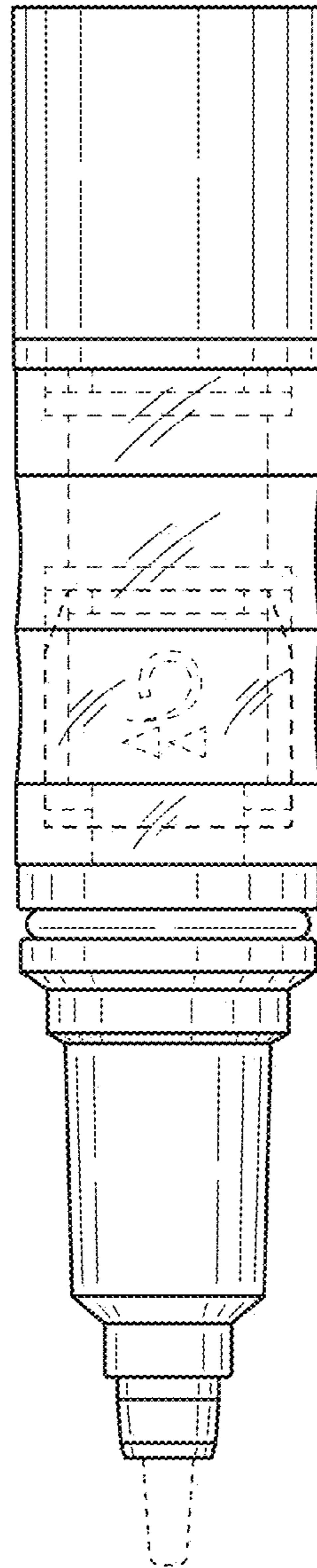


FIG. 7