



US00D830453S

(12) **United States Design Patent**  
**Takahashi**

(10) **Patent No.:** **US D830,453 S**  
(45) **Date of Patent:** **\*\* Oct. 9, 2018**

- (54) **INK CARTRIDGE**
- (71) Applicant: **BROTHER INDUSTRIES, LTD.**,  
Nagoya-shi, Aichi-ken (JP)
- (72) Inventor: **Hiroaki Takahashi**, Nagoya (JP)
- (73) Assignee: **BROTHER INDUSTRIES, LTD.**,  
Nagoya (JP)
- (\*\*) Term: **15 Years**
- (21) Appl. No.: **29/613,786**
- (22) Filed: **Aug. 14, 2017**
- (30) **Foreign Application Priority Data**  
Feb. 28, 2017 (JP) ..... 2017-3892
- (51) **LOC (11) Cl.** ..... **18-02**
- (52) **U.S. Cl.**  
USPC ..... **D18/56**
- (58) **Field of Classification Search**  
USPC ..... D18/56, 18, 40, 43, 58, 99; 347/86  
CPC . B41J 2/17; B41J 2/1721; B41J 2/1572; B41J  
2/1574; B41J 2/17503; B41J 2/17553;  
B41J 2/17556; B41J 2/16547  
See application file for complete search history.

- (56) **References Cited**  
**U.S. PATENT DOCUMENTS**  
D387,379 S 12/1997 Sasaki  
D540,376 S \* 4/2007 Hwang ..... D18/56

- D591,340 S \* 4/2009 Nozawa ..... 347/86
- D704,259 S \* 5/2014 Lecheheb ..... D18/56
- D720,804 S \* 1/2015 Van Den Broecke ..... D18/56
- D761,905 S \* 7/2016 Tanaka ..... D18/56
- D788,195 S \* 5/2017 Liu ..... D15/122
- D796,576 S \* 9/2017 Smith ..... D18/56
- D798,382 S \* 9/2017 Smith ..... D18/56
- D815,200 S \* 4/2018 Ishizawa ..... D18/56

\* cited by examiner

*Primary Examiner* — Robin V Webster  
*Assistant Examiner* — James C Thorn, Sr.  
(74) *Attorney, Agent, or Firm* — Oliff PLC

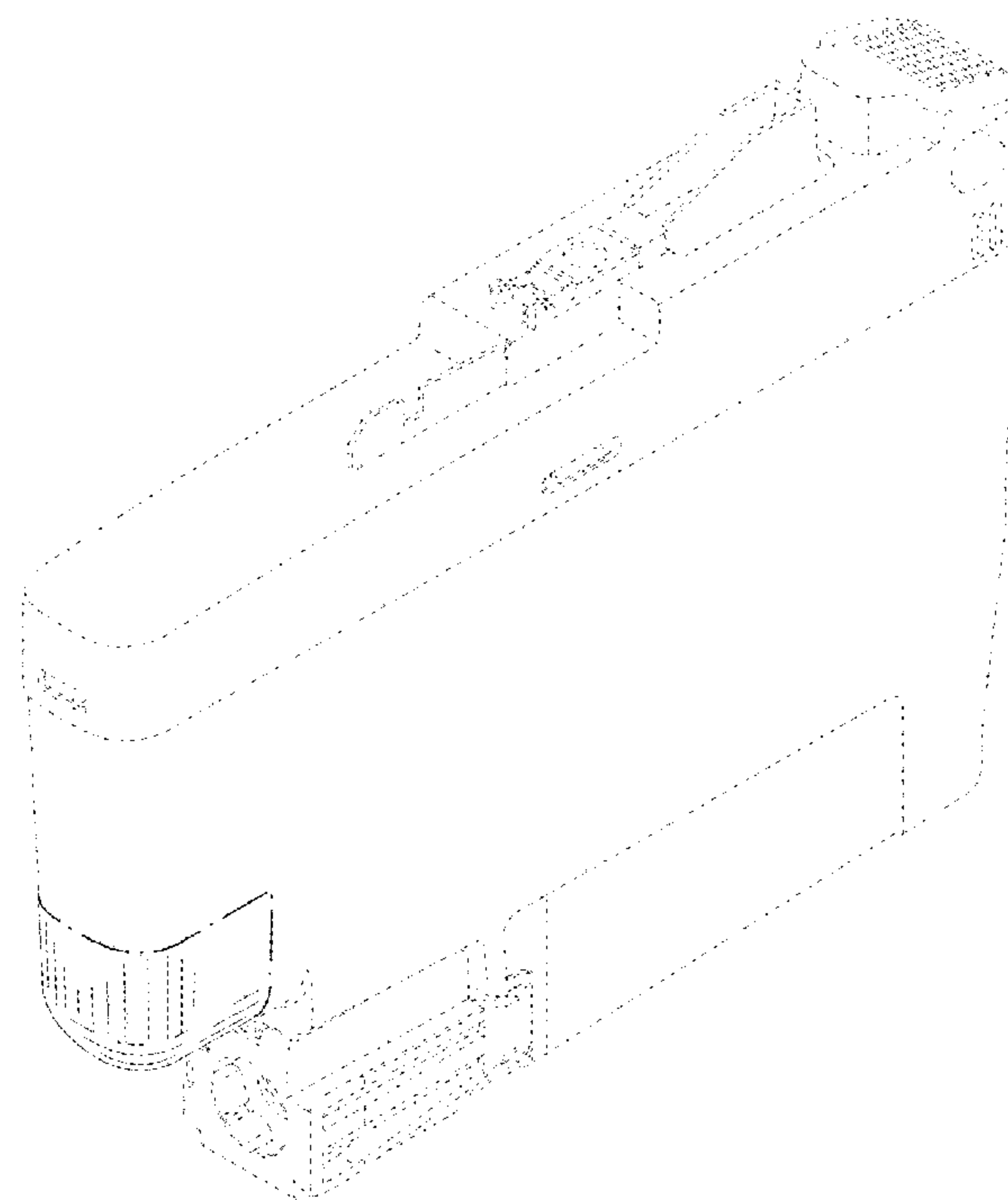
(57) **CLAIM**

The ornamental design for an ink cartridge, as shown and described.

**DESCRIPTION**

FIG. 1 is a rear, right-side perspective view of an ink cartridge;  
FIG. 2 is a front view thereof;  
FIG. 3 is a top view thereof;  
FIG. 4 is a right-side view thereof;  
FIG. 5 is a left-side view thereof;  
FIG. 6 is a rear view thereof;  
FIG. 7 is a bottom view thereof; and,  
FIG. 8 is a front, left-side perspective view thereof.  
The broken lines depict unclaimed portions of the ink cartridge and form no part of the claimed design. The dot-dash chain lines depict a boundary of the claimed subject matter and form no part of the claimed design.

**1 Claim, 7 Drawing Sheets**



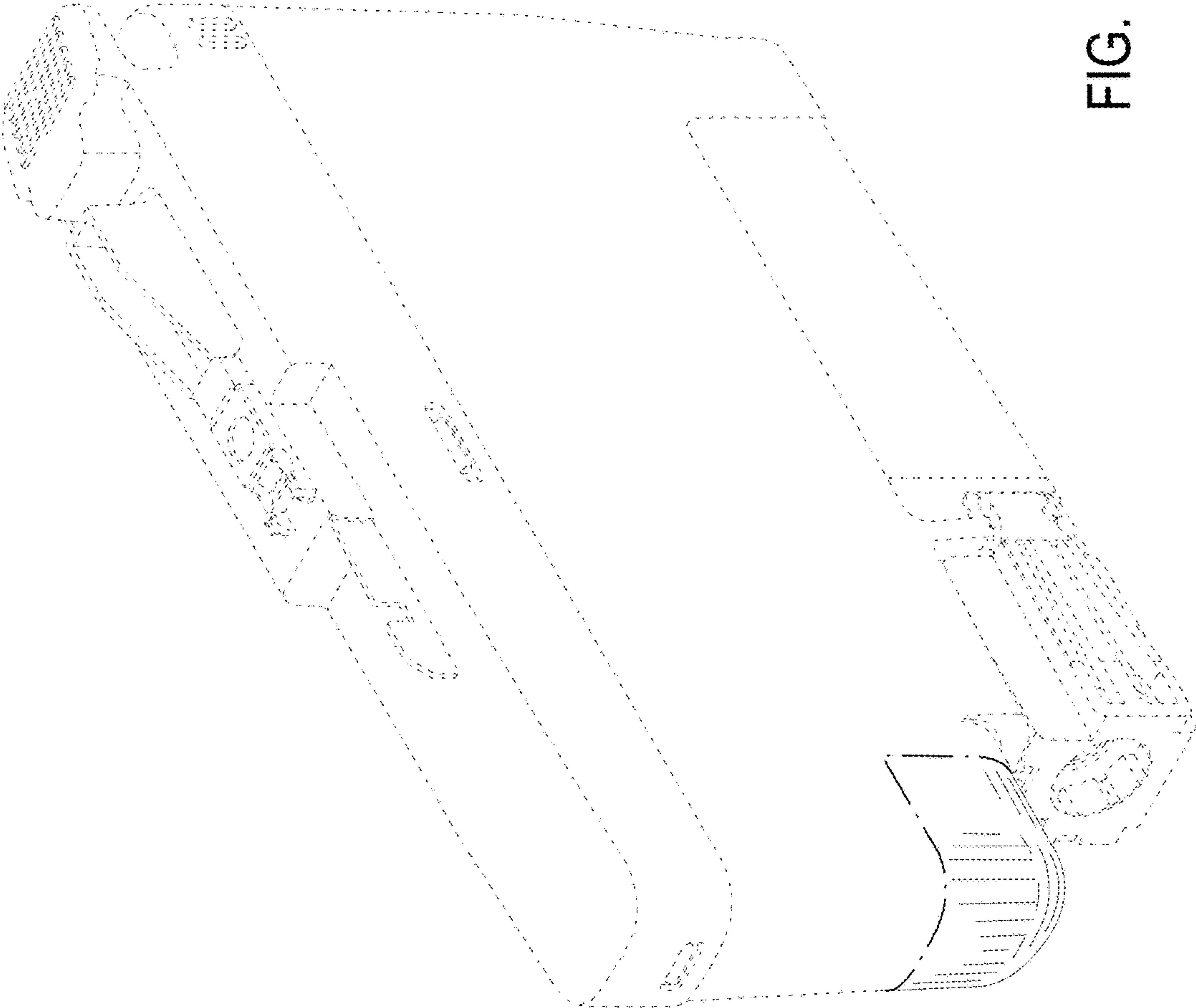


FIG. 1

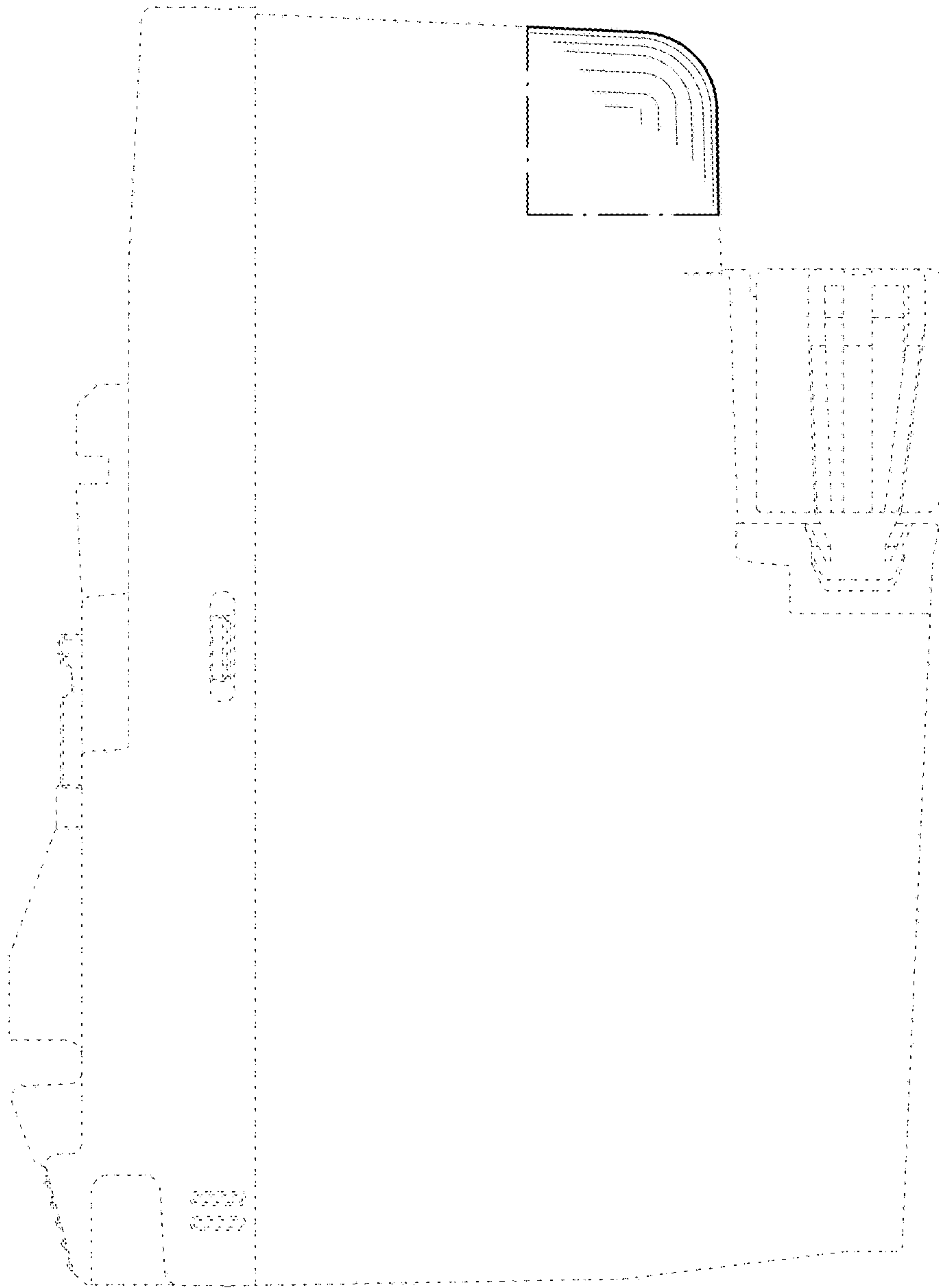


FIG. 2

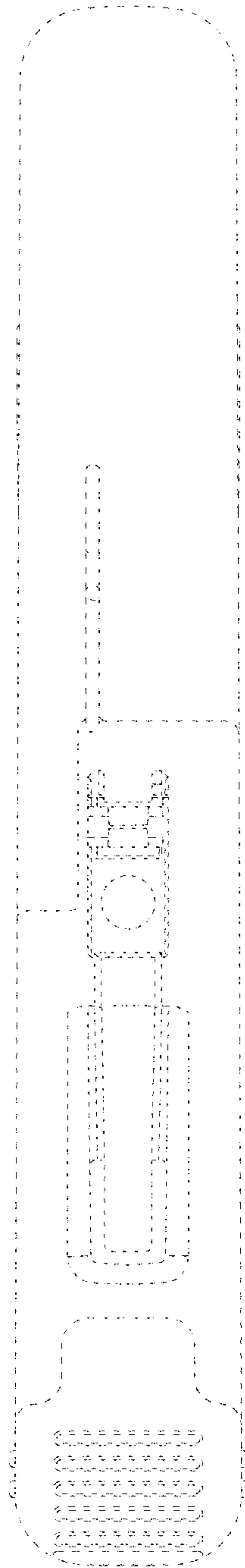


FIG. 3

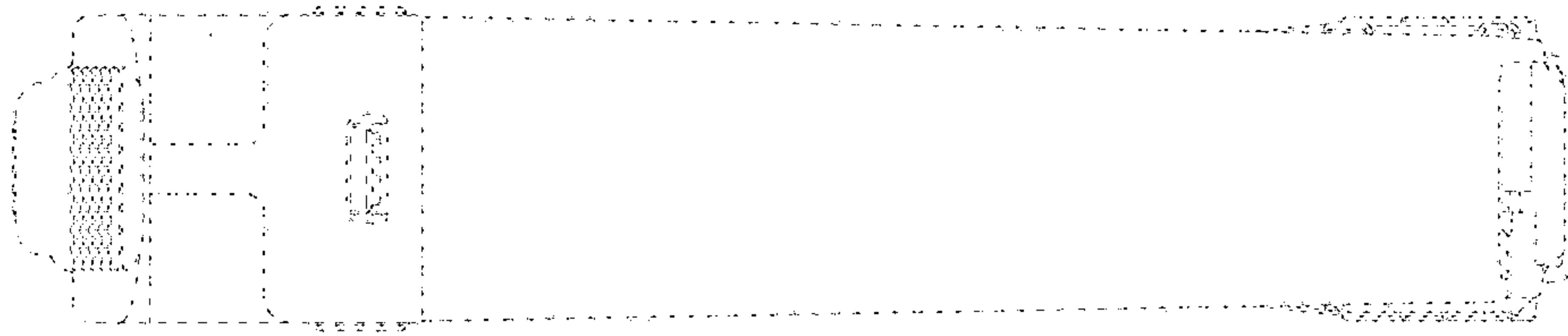


FIG. 5

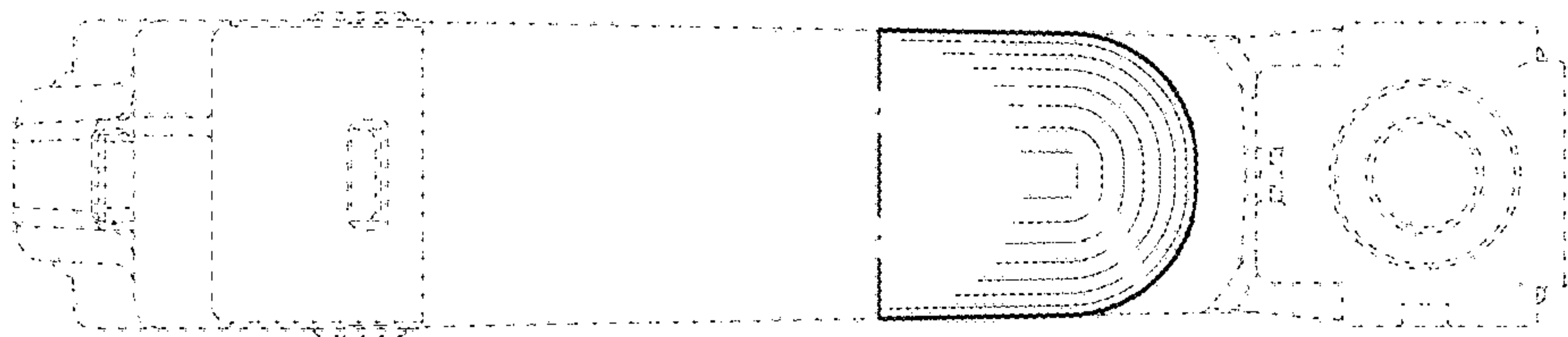


FIG. 4

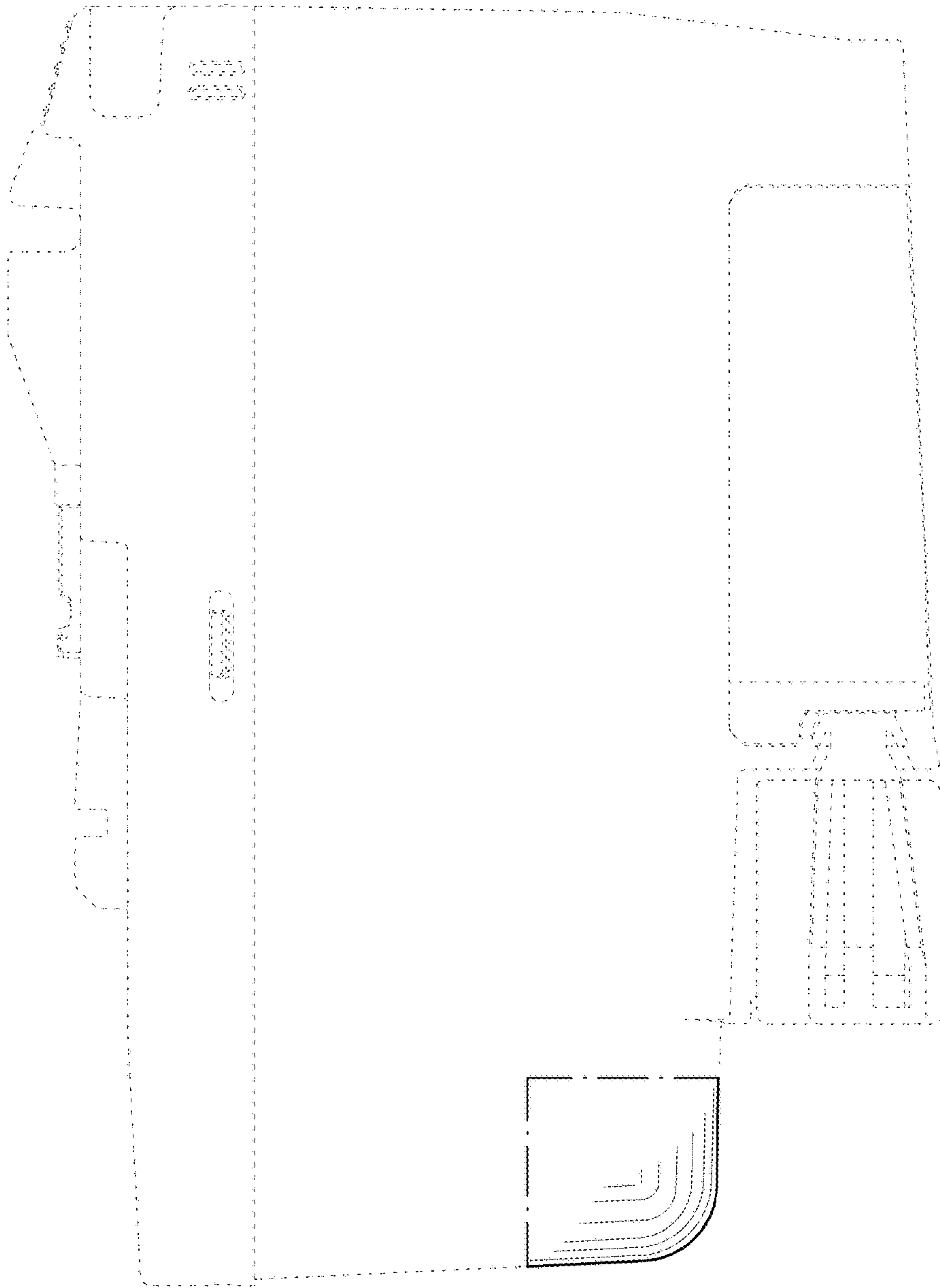


FIG. 6

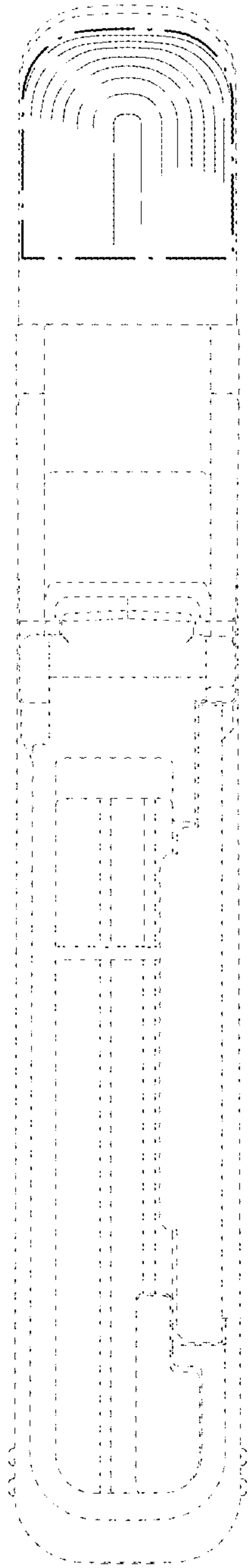


FIG. 7

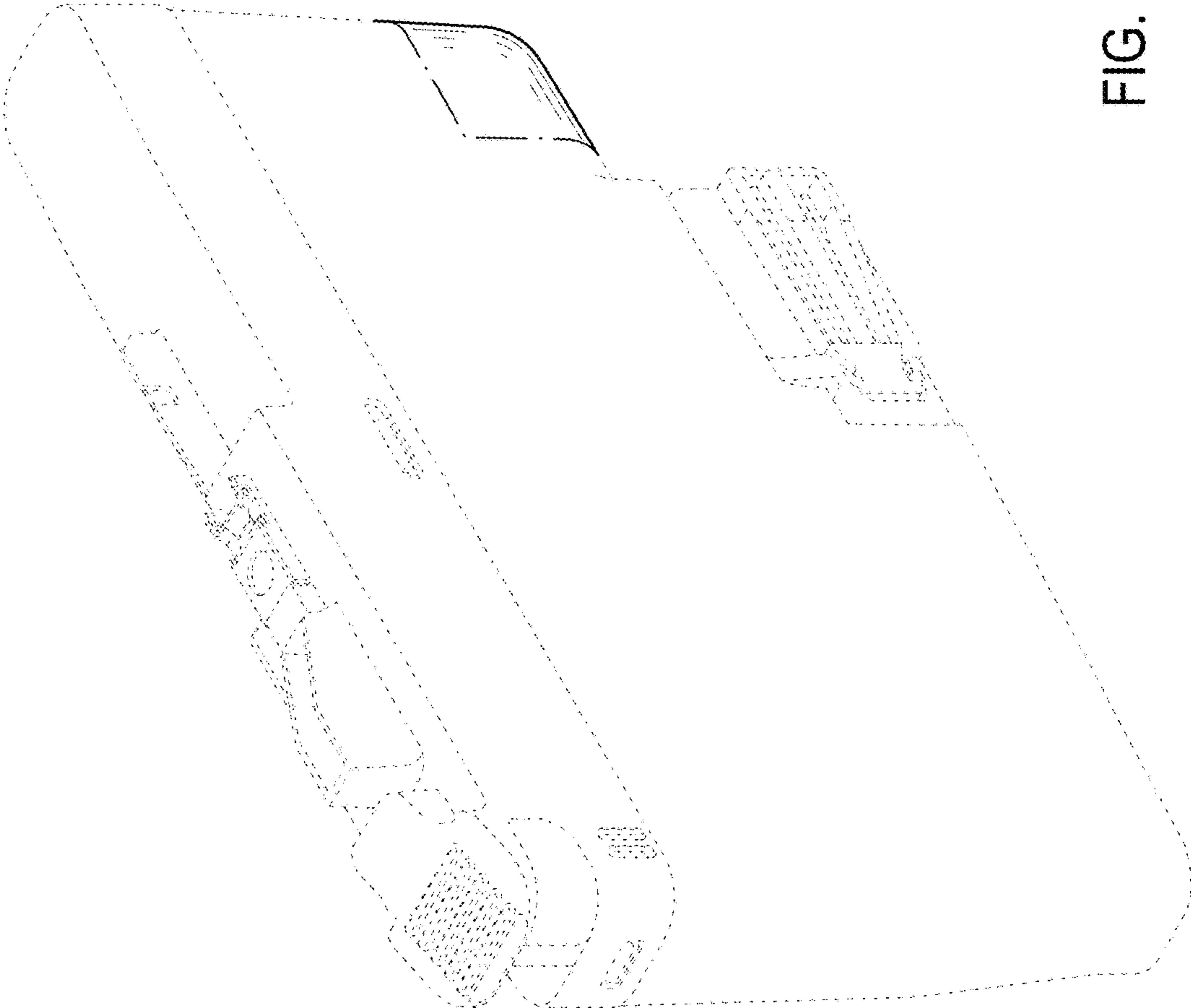


FIG. 8