



US00D830452S

(12) **United States Design Patent** (10) **Patent No.:** **US D830,452 S**
Ono (45) **Date of Patent:** **** Oct. 9, 2018**

- (54) **INK CARTRIDGE**
- (71) Applicant: **BROTHER INDUSTRIES, LTD.**,
Nagoya-shi, Aichi-ken (JP)
- (72) Inventor: **Akihito Ono**, Nagoya (JP)
- (73) Assignee: **BROTHER INDUSTRIES, LTD.**,
Nagoya (JP)
- (**) Term: **15 Years**
- (21) Appl. No.: **29/613,770**
- (22) Filed: **Aug. 14, 2017**
- (30) **Foreign Application Priority Data**
Feb. 28, 2017 (JP) 2017-3893
- (51) **LOC (11) Cl.** **18-02**
- (52) **U.S. Cl.**
USPC **D18/56**
- (58) **Field of Classification Search**
USPC D18/56, 18, 40, 43, 58, 99; 347/86
CPC . B41J 2/17; B41J 2/1721; B41J 2/1572; B41J
2/1574; B41J 2/17503; B41J 2/17553;
B41J 2/17556; B41J 2/16547
See application file for complete search history.

- (56) **References Cited**
U.S. PATENT DOCUMENTS
D372,732 S * 8/1996 Taneya 347/86
D422,627 S * 4/2000 Drinkwater D18/40
D481,756 S * 11/2003 Shinada 347/86
D489,756 S * 5/2004 Matsumoto D18/56
D519,554 S * 4/2006 Sasaki 347/86
D531,208 S * 10/2006 Shinada D18/56
D543,234 S * 5/2007 Hattori 347/86
D543,236 S * 5/2007 Hattori 347/86
D647,134 S * 10/2011 Hattori D18/56

- D680,164 S * 4/2013 Kawate D18/56
- D680,165 S * 4/2013 Takagi et al.
- D681,728 S * 5/2013 Takagi 347/86
- D692,052 S * 10/2013 Ishizawa D18/56
- D699,284 S * 2/2014 Nanjo D18/56
- D712,466 S * 9/2014 Nagashima D18/56
- D721,132 S * 1/2015 Kobayashi
- 8,979,227 B2 * 3/2015 Blowfield B41J 2/175
347/7
- D767,673 S * 9/2016 Nanjo D18/56
- D783,089 S * 4/2017 Okazaki
- D783,090 S * 4/2017 Okazaki
- D783,091 S * 4/2017 Okazaki
- D785,087 S * 4/2017 Hayashi D18/56
- 9,630,415 B2 * 4/2017 Qing B41J 2/17506
- D786,347 S * 5/2017 Okazaki
- 9,802,418 B2 * 10/2017 Nagashima B41J 2/17536
- 9,849,677 B2 * 12/2017 Anderson, Jr. B41J 2/16505
- D815,200 S * 4/2018 Ishizawa D18/56

* cited by examiner

Primary Examiner — Robin V Webster
Assistant Examiner — James C Thorn, Sr.
(74) *Attorney, Agent, or Firm* — Oliff PLC

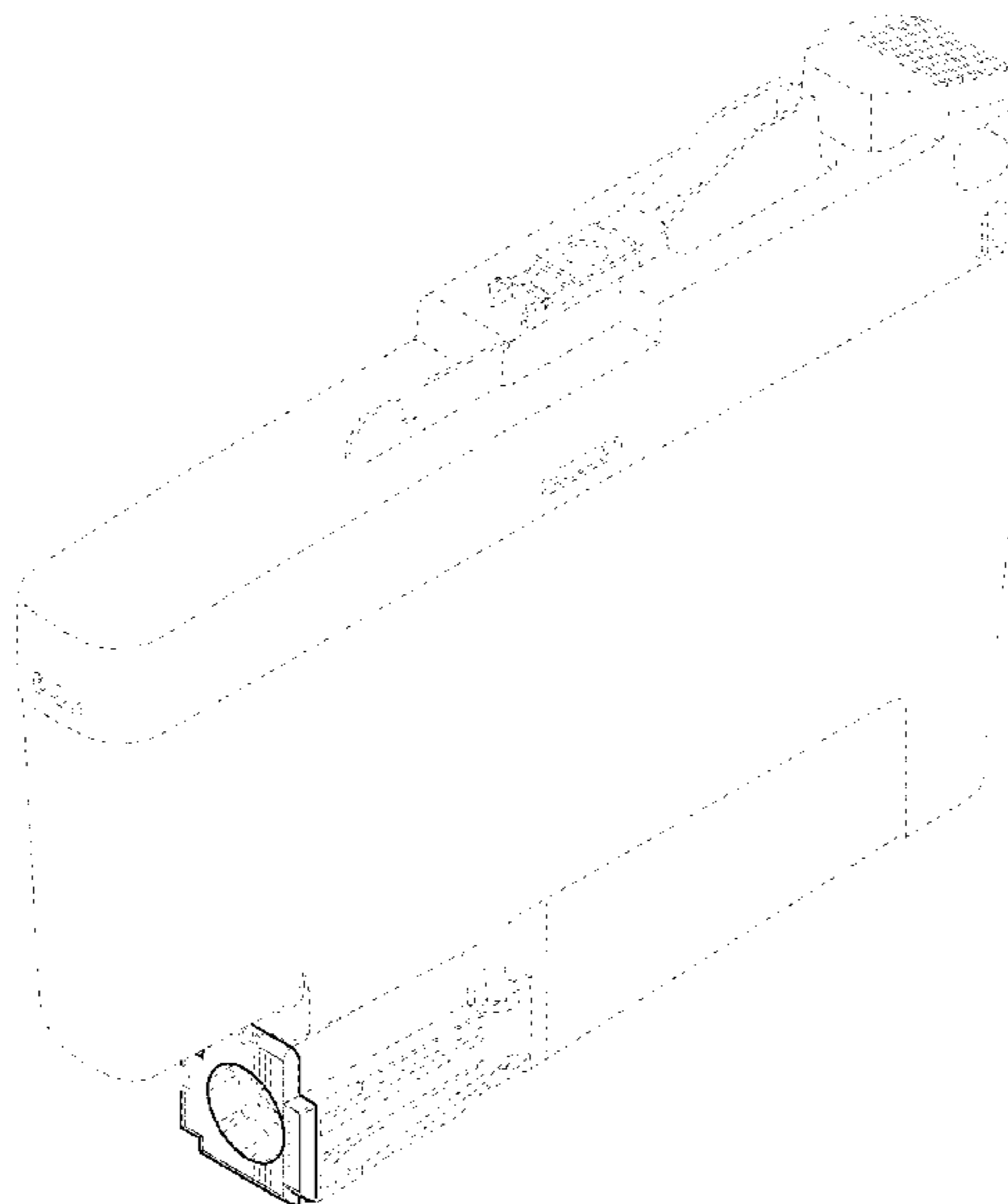
(57) **CLAIM**

The ornamental design for an ink cartridge, as shown and described.

DESCRIPTION

FIG. 1 is a rear, right-side perspective view of an ink cartridge;
FIG. 2 is a front view thereof;
FIG. 3 is a top view thereof;
FIG. 4 is a right-side view thereof;
FIG. 5 is a left-side view thereof;
FIG. 6 is a rear view thereof; and,
FIG. 7 is a bottom view thereof.
The broken lines depict unclaimed portions of the ink cartridge and form no part of the claimed design.

1 Claim, 6 Drawing Sheets



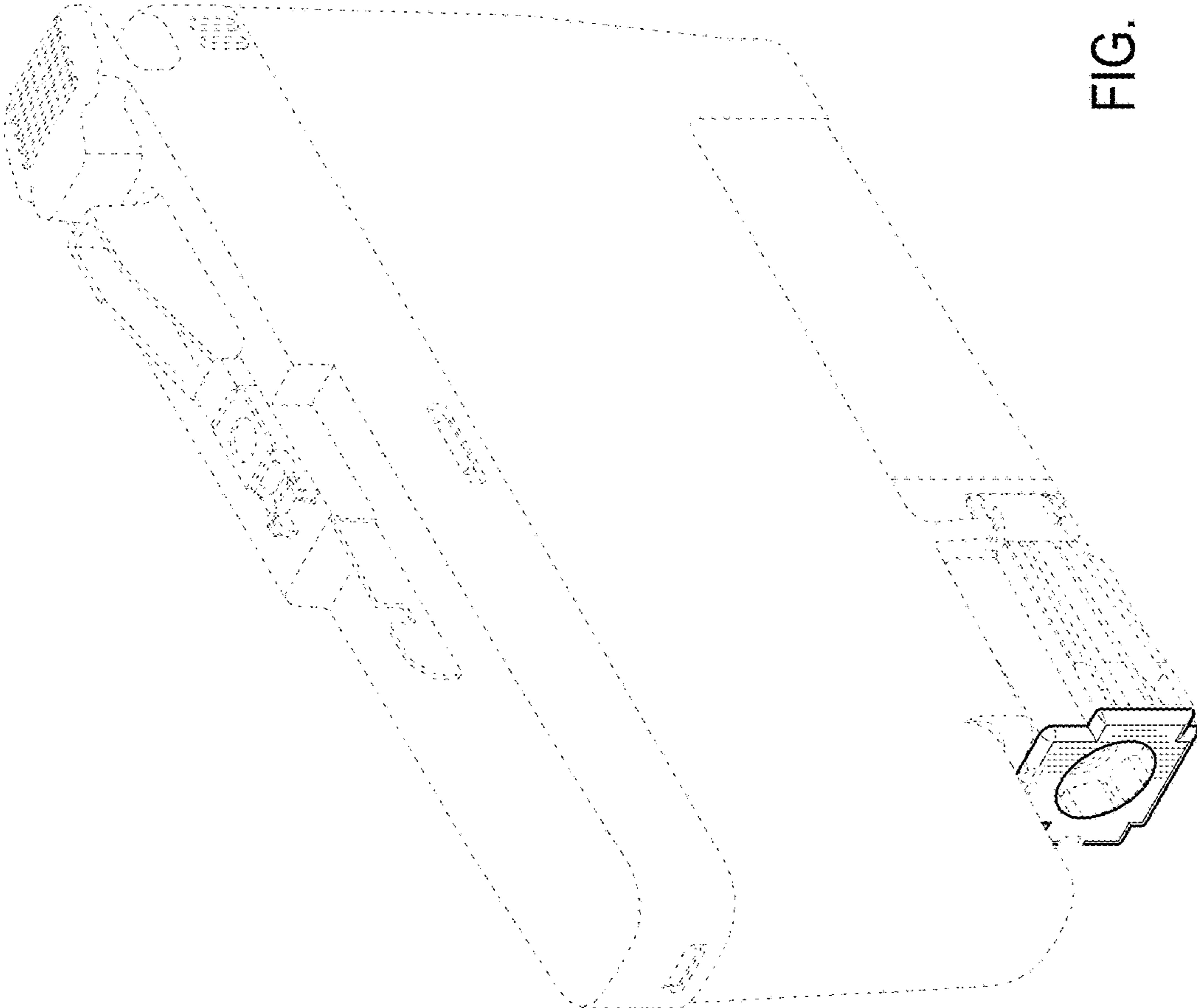


FIG. 1

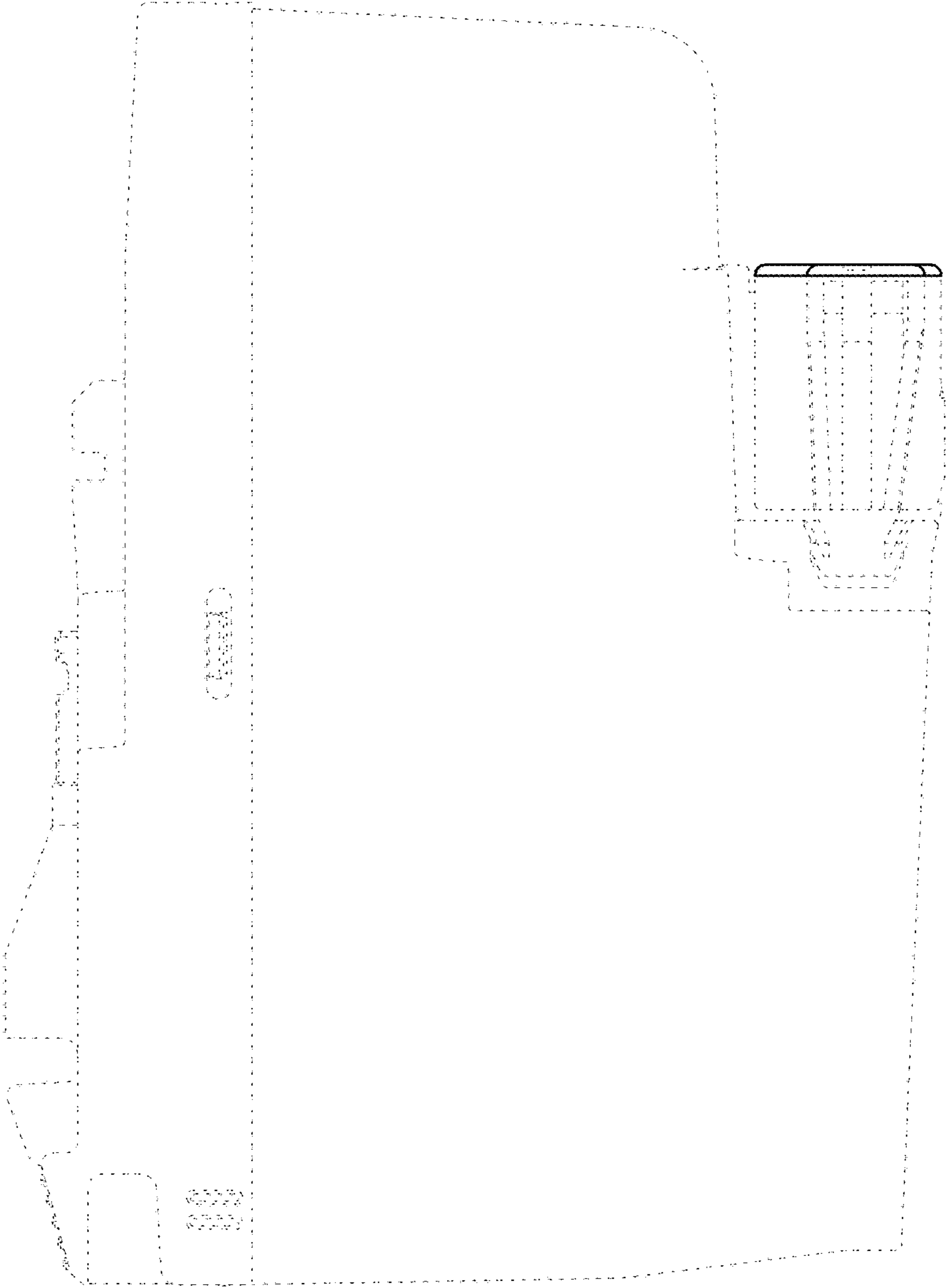


FIG. 2

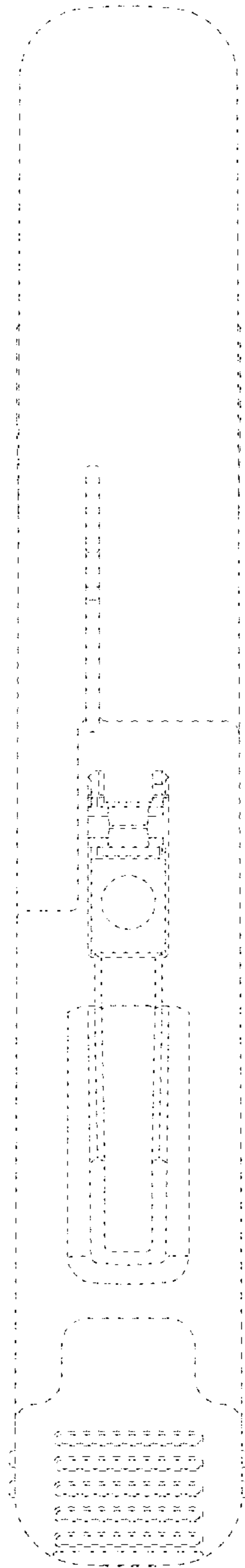


FIG. 3

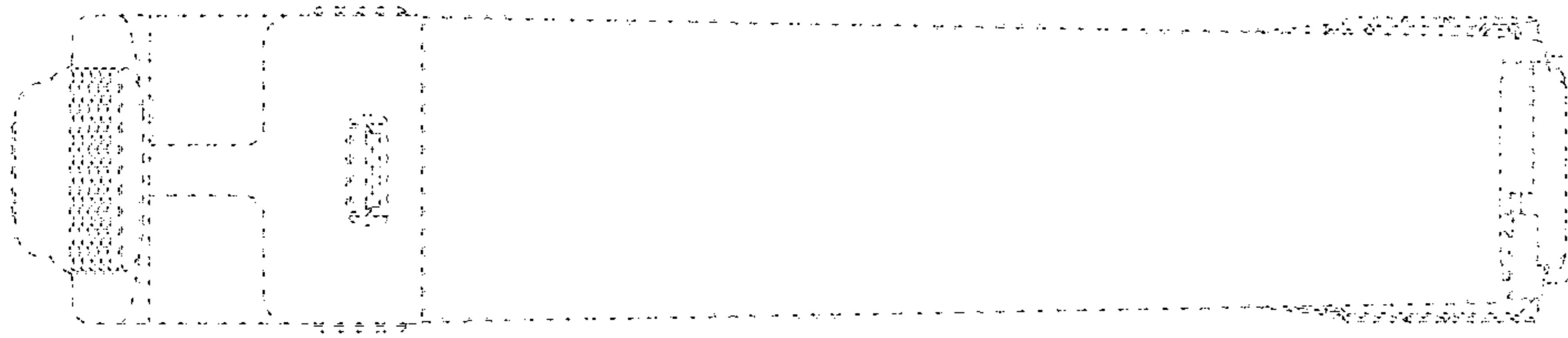


FIG. 5

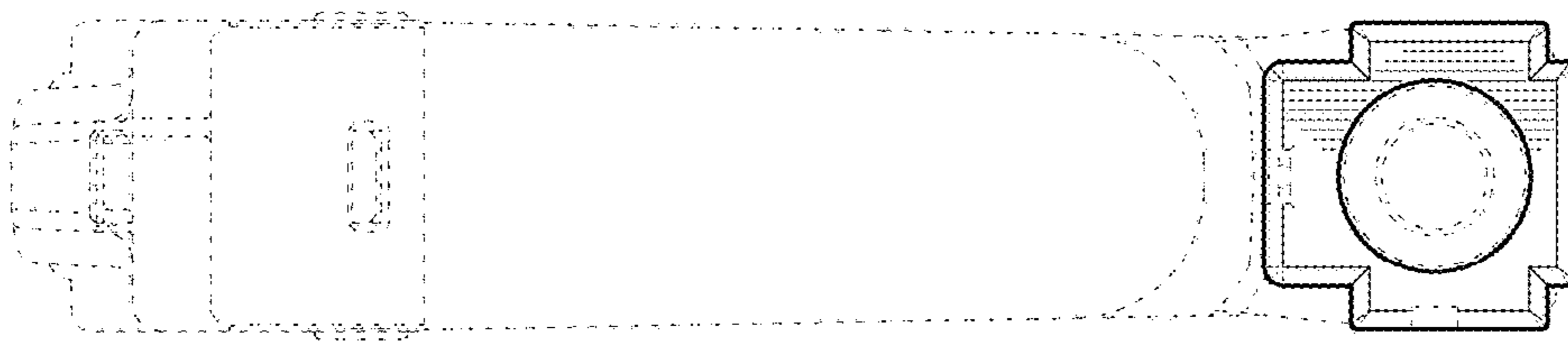


FIG. 4

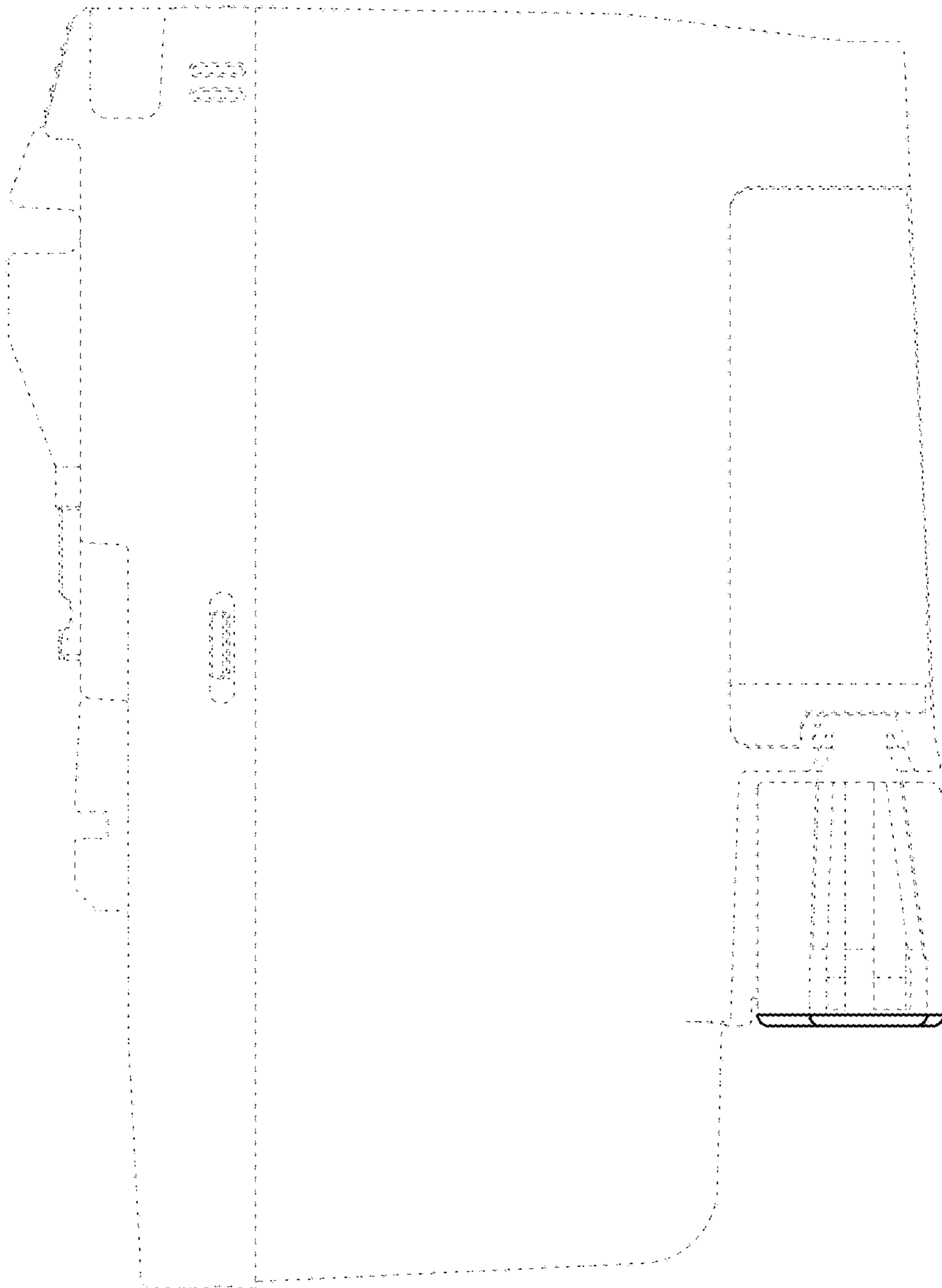


FIG. 6

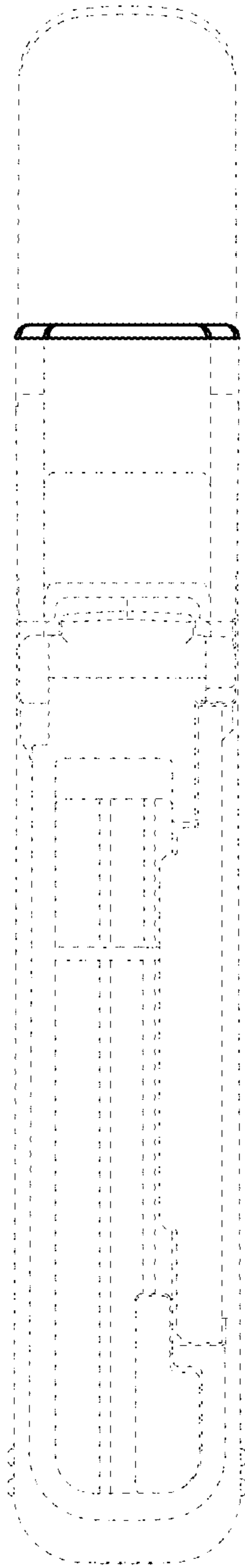


FIG. 7