



US00D830450S

(12) **United States Design Patent**
Kaminsky

(10) **Patent No.:** **US D830,450 S**

(45) **Date of Patent:** **** Oct. 9, 2018**

(54) **RETRACTABLE STRAP HORN FOR STRING INSTRUMENT**

(71) Applicant: **Bruce Kaminsky**, Upper Darby, PA (US)

(72) Inventor: **Bruce Kaminsky**, Upper Darby, PA (US)

(**) Term: **15 Years**

(21) Appl. No.: **29/585,582**

(22) Filed: **Nov. 28, 2016**

(51) **LOC (11) Cl.** **17-03**

(52) **U.S. Cl.**
USPC **D17/20**

(58) **Field of Classification Search**
USPC D17/14, 15, 16, 17, 18, 19, 20, 21, 99;
D21/405, 409, 410, 324; D30/133;
D6/315, 326, 327, 328, 546, 547, 549,
D6/552, 553, 556; D15/76; D8/300,
D8/306, 325, 354, 499; D26/87, 92, 155,
D26/143, 145; D3/308, 327, 328, 27
(Continued)

(56) **References Cited**

U.S. PATENT DOCUMENTS

1,861,717 A * 6/1932 Pfeil G10D 1/02
84/294
D200,593 S * 3/1965 Pettengill D26/145
(Continued)

OTHER PUBLICATIONS

Blogspot, Homebrew Horn Strap, posted Jul. 25, 2013, [online], [site visited Feb. 22, 2018]. Available from Internet, <URL: <http://k6jca.blogspot.com/2013/06/homebrew-horn-strap-button-extender-for.html>> (Year: 2013).*

(Continued)

Primary Examiner — Sheryl Lane

Assistant Examiner — Samantha N Wood

(74) *Attorney, Agent, or Firm* — Panitch Schwarze
Belisario & Nadel LLP

(57) **CLAIM**

The ornamental design for a retractable strap horn for string instrument, as shown and described.

DESCRIPTION

FIG. 1 is a right front perspective view of a retractable strap horn for string instrument, showing my new design in an exemplary environment;

FIG. 2 is a right front perspective view thereof;

FIG. 3 is an enlarged right front perspective view thereof;

FIG. 4 is a rear elevational view thereof;

FIG. 5 is a front elevational view thereof;

FIG. 6 is a left side elevational view thereof;

FIG. 7 is a right side elevational view thereof;

FIG. 8 is a top plan view thereof;

FIG. 9 is a bottom plan view thereof;

FIG. 10 is a left rear perspective view thereof, shown in retracted or closed configuration;

FIG. 11 is an enlarged left rear perspective view thereof, shown in retracted or closed configuration;

FIG. 12 is a rear elevational view thereof, shown in closed configuration;

FIG. 13 is a right side elevational view thereof, shown in closed configuration;

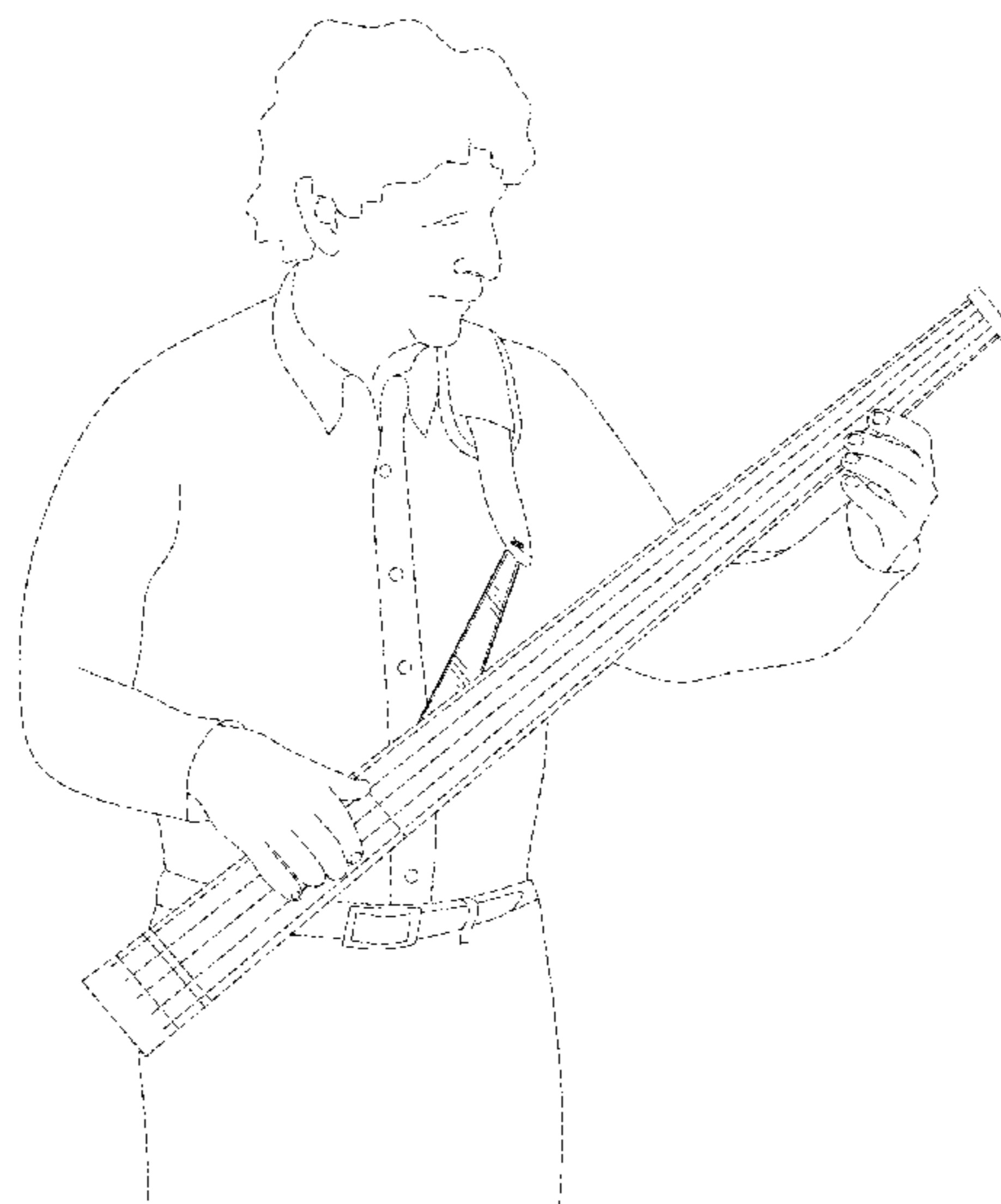
FIG. 14 is a left side elevational view thereof, shown in closed configuration;

FIG. 15 is a top plan view thereof, shown in closed configuration; and,

FIG. 16 is a bottom plan view thereof, shown in closed configuration.

The broken lines are included for the purpose of illustrating the environmental structure and form no part of the claimed design.

1 Claim, 8 Drawing Sheets



(58) **Field of Classification Search**

CPC G10D 3/00; G10D 3/04; G10D 3/043;
G10D 3/06; G10D 3/10; G10D 1/00;
G10D 1/005; G10D 1/08; G10D 1/02;
G10D 3/02; G10D 3/08; G10D 3/12;
G10D 3/14; G10D 1/085; G10G 1/02;
G10G 7/005; G10H 1/32

See application file for complete search history.

(56) **References Cited**

U.S. PATENT DOCUMENTS

3,512,443 A * 5/1970 Parson G10D 3/143
84/313
4,192,213 A * 3/1980 Steinberger G10D 1/085
84/267
RE31,722 E * 11/1984 Steinberger G10D 1/085
224/910
4,715,259 A * 12/1987 Wittman G10D 3/00
224/910
D478,611 S * 8/2003 Nakajima D17/14
D791,222 S * 7/2017 Champion D17/20

OTHER PUBLICATIONS

Headless USA, Steinberger Prototype: The Missing Link, posted Dec. 20, 2011, [online], [site visited Feb. 22, 2018]. Available from Internet, <URL: <http://www.headlessusa.com/blog/2011/12/20/steinberger-prototype-the-missing-link>> (Year: 2011).*

Steinberger L2 Fretless Bass, 1982, from web page: www.12fret.com.

* cited by examiner

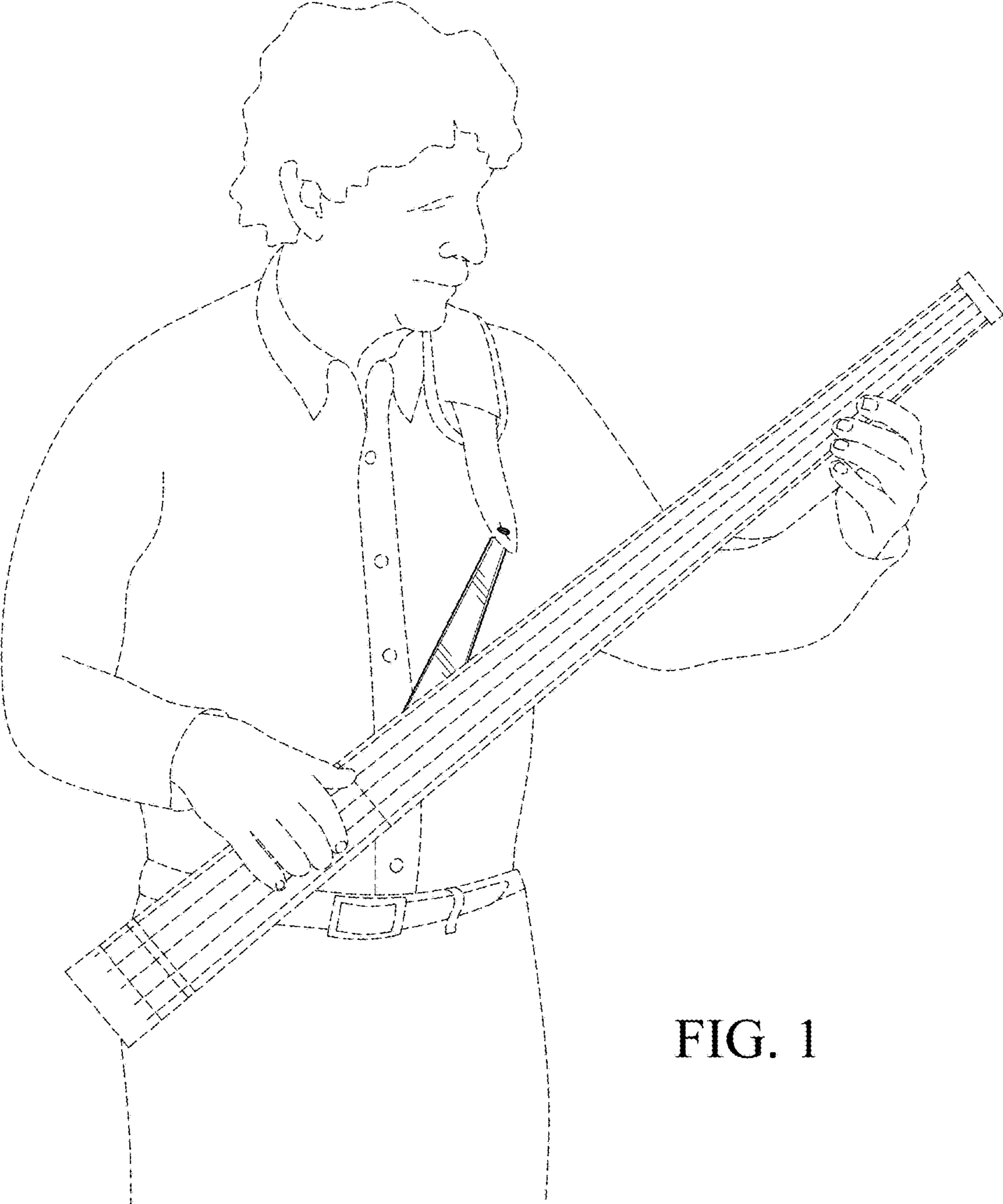


FIG. 1

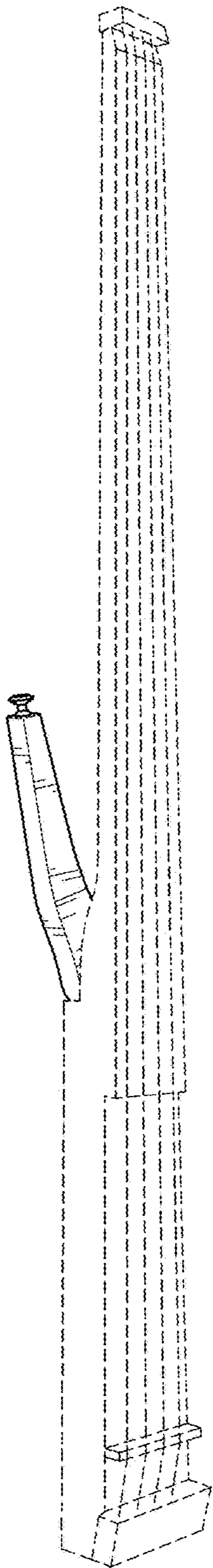


FIG. 2

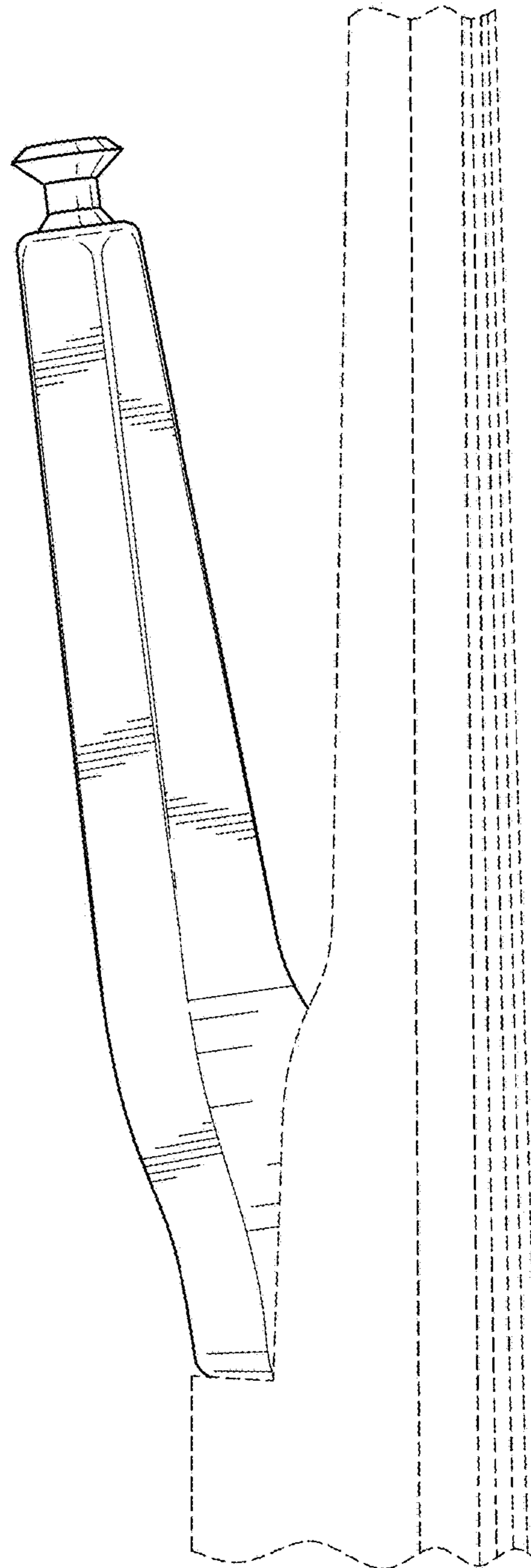


FIG. 3

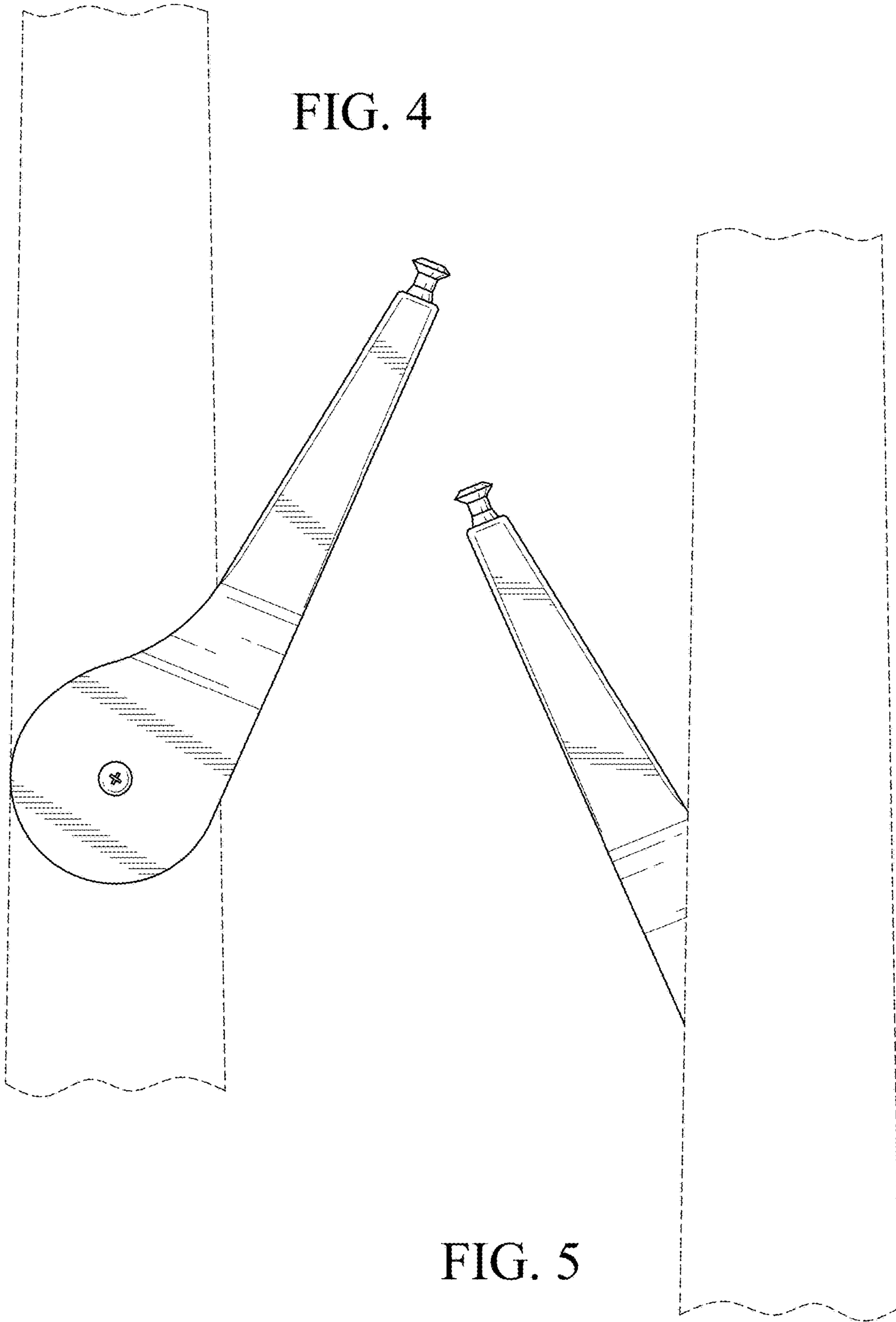


FIG. 4

FIG. 5

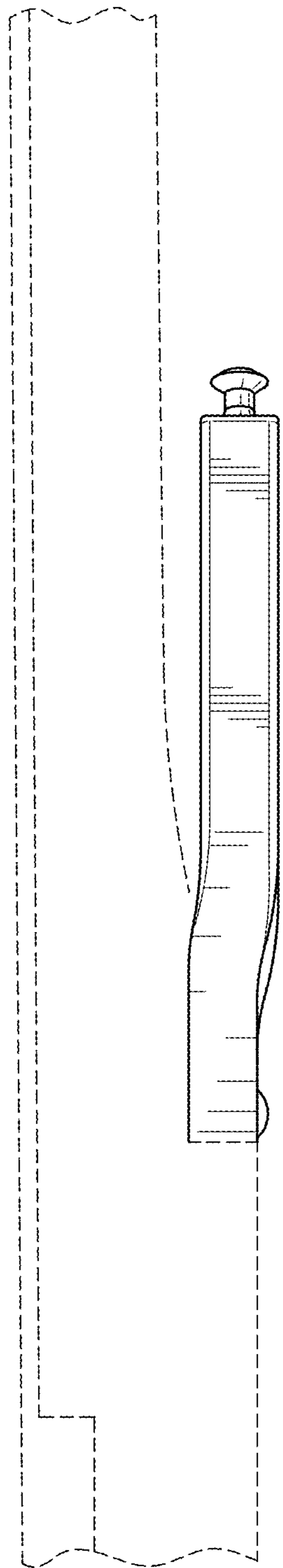


FIG. 6

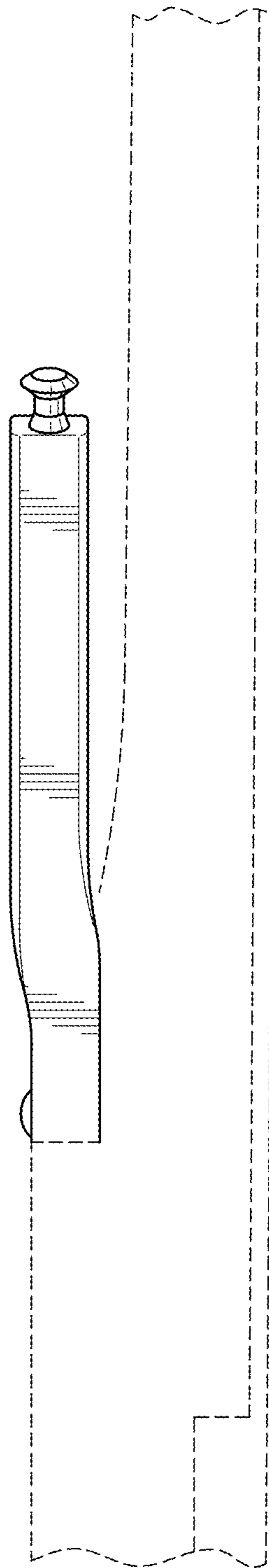


FIG. 7

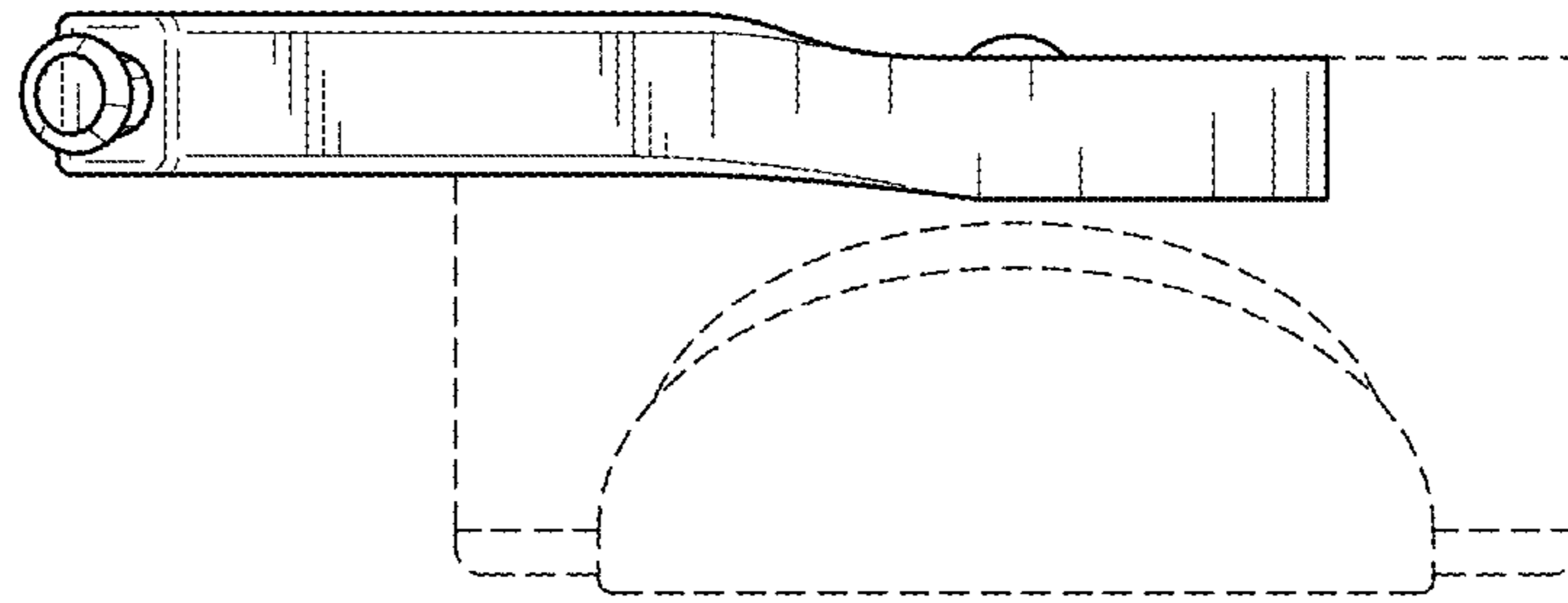


FIG. 8

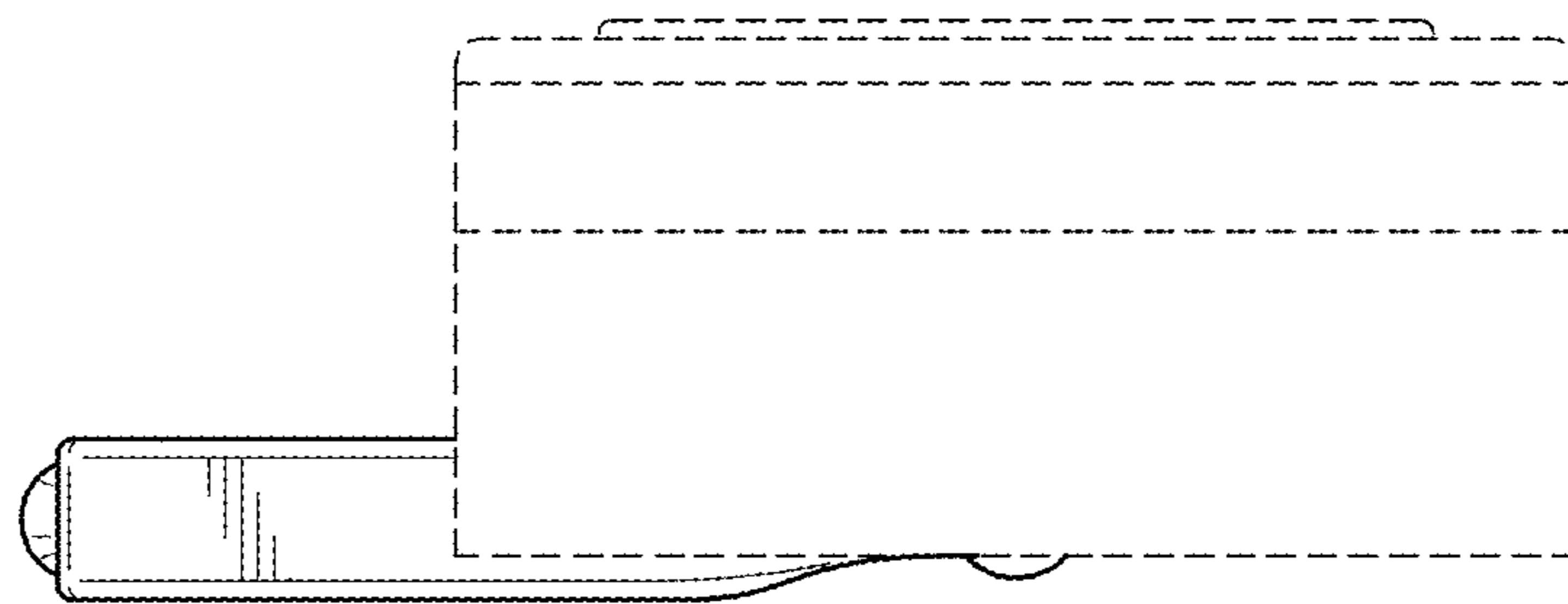


FIG. 9

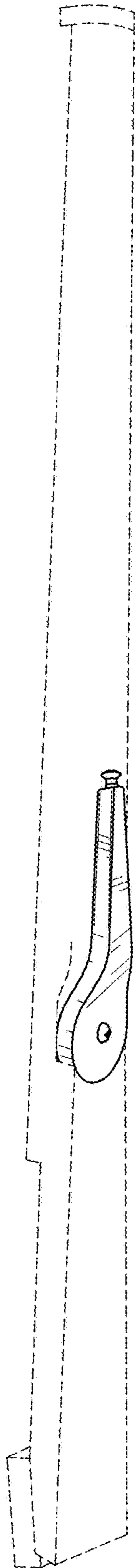


FIG. 10

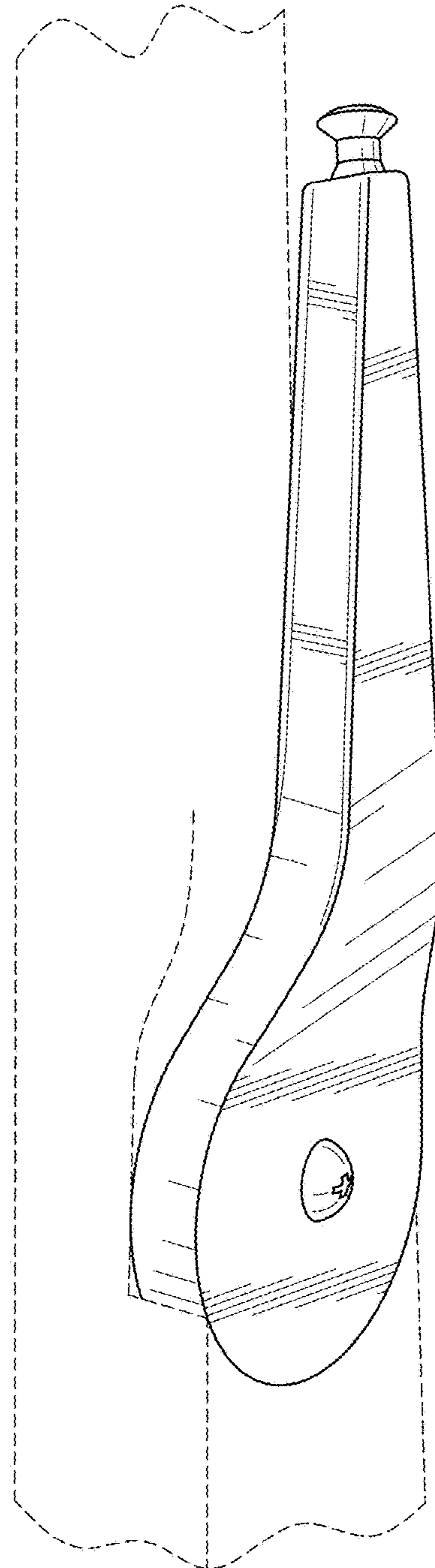


FIG. 11

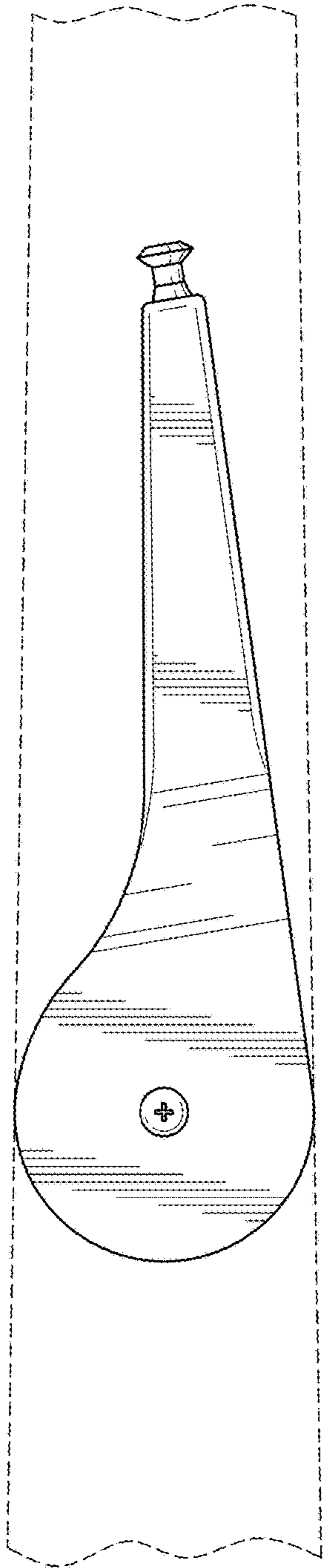


FIG. 12

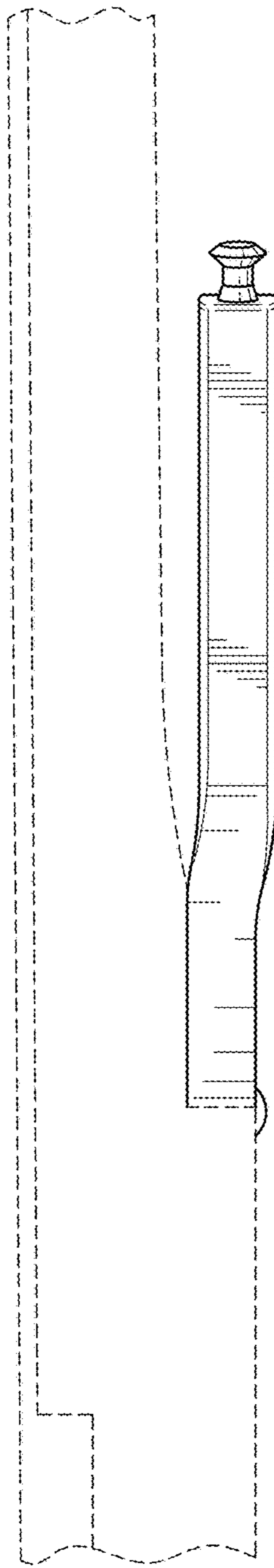


FIG. 13

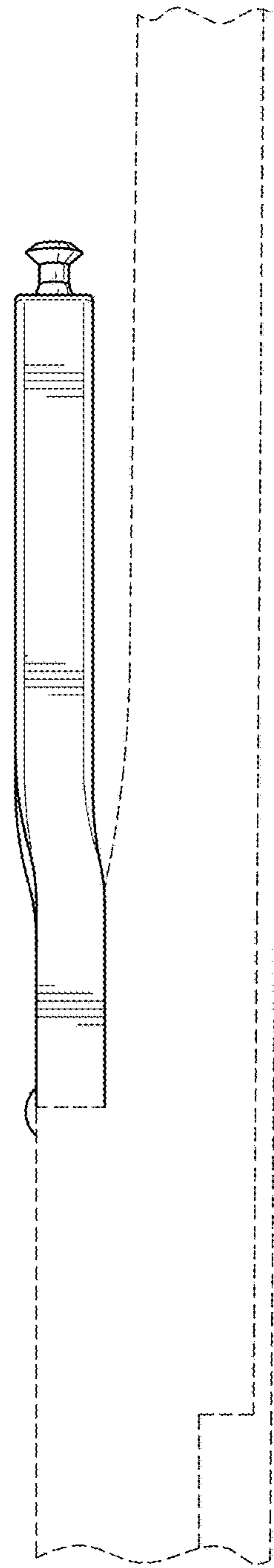


FIG. 14

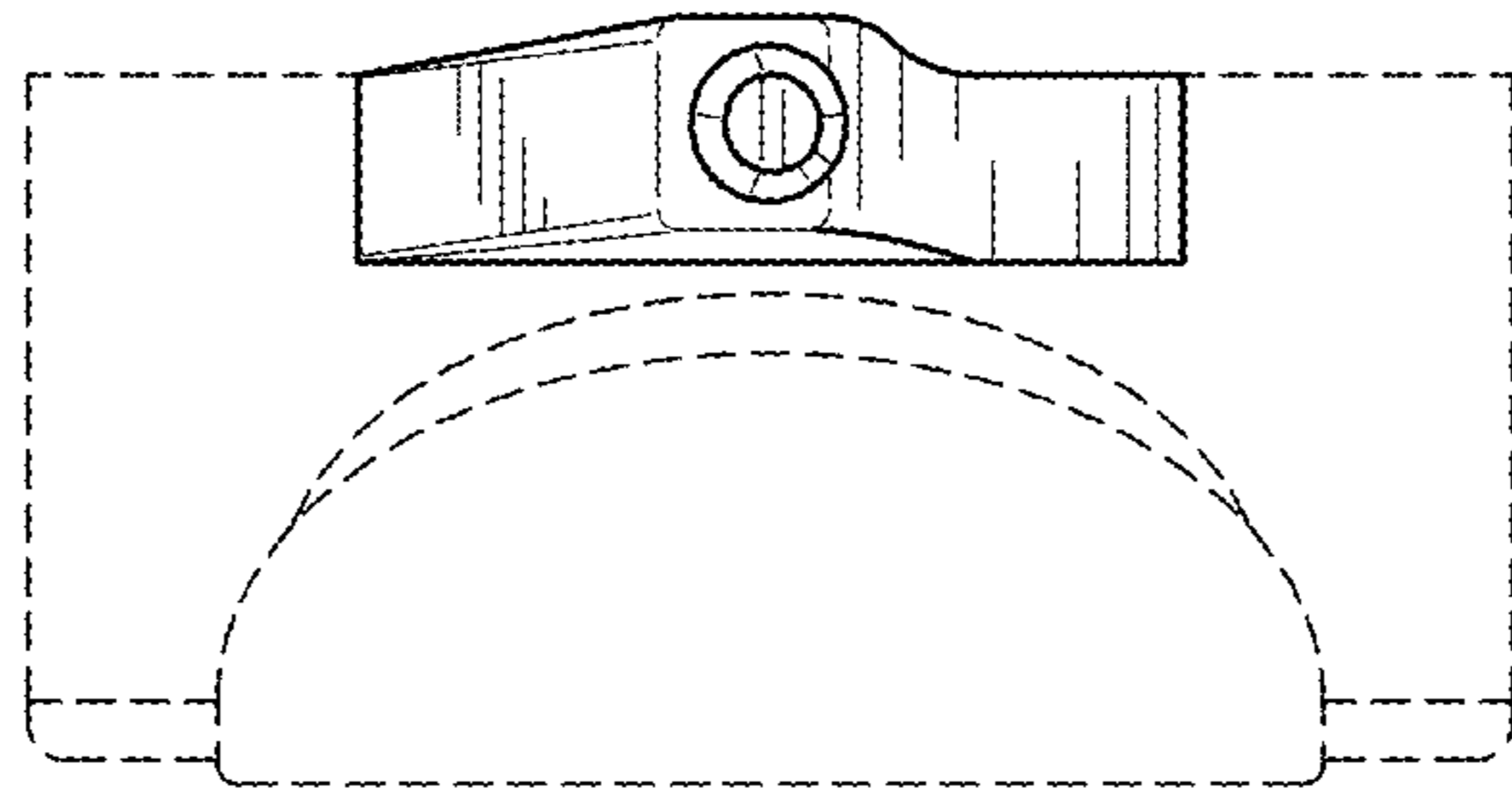


FIG. 15

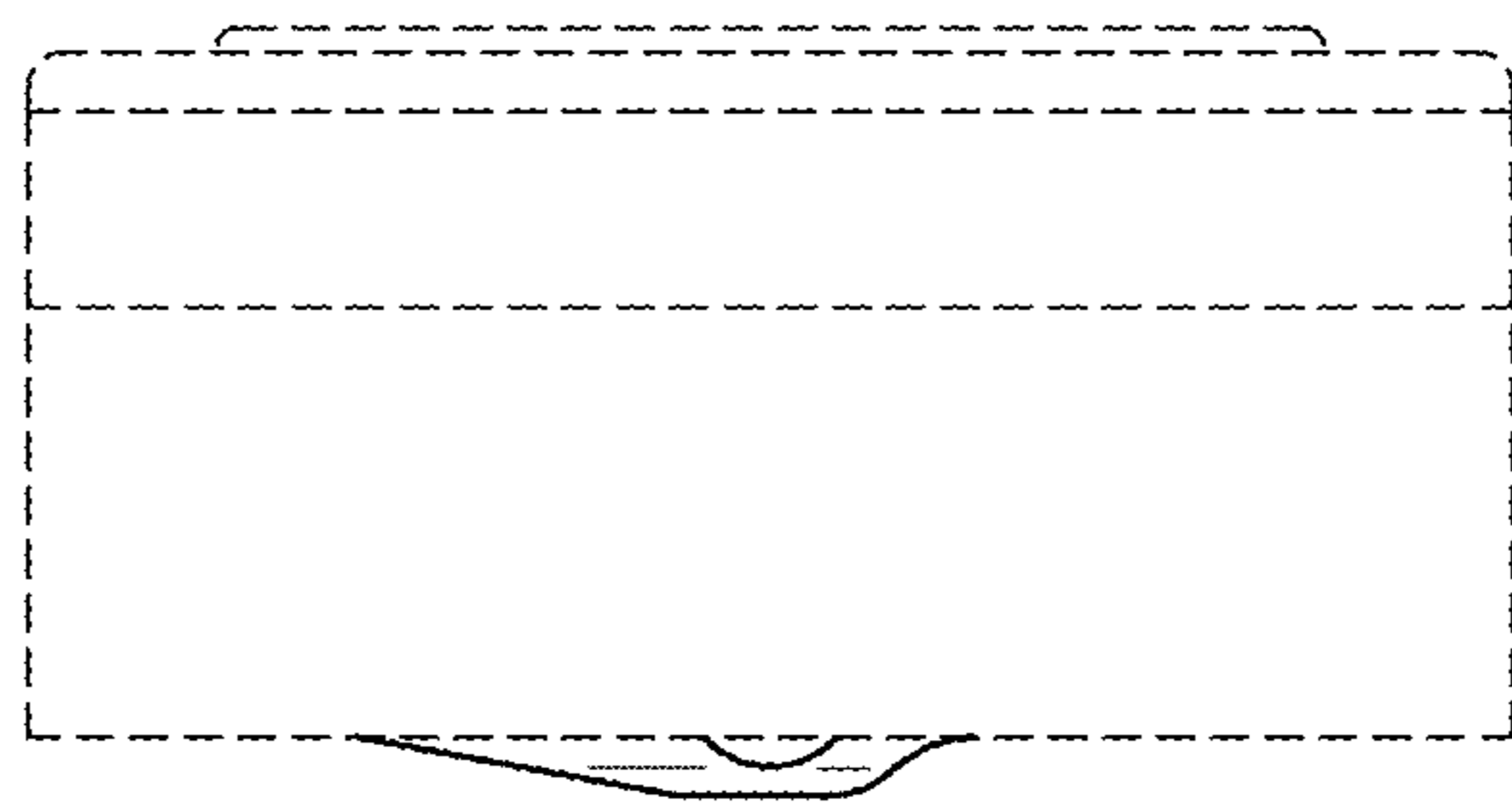


FIG. 16