



US00D830447S

(12) **United States Design Patent**  
**Nagata**

(10) **Patent No.:** **US D830,447 S**  
(45) **Date of Patent:** **\*\* Oct. 9, 2018**

(54) **PLANETARIUM PROJECTOR**  
(71) Applicant: **KONICA MINOLTA**  
**PLANETARIUM CO., LTD.,**  
Toshima-ku, Tokyo (JP)  
(72) Inventor: **Agato Nagata**, Hino (JP)  
(73) Assignee: **KONICA MINOLTA**  
**PLANETARIUM CO., LTD.,** Tokyo  
(JP)

4,020,568 A \* 5/1977 Tajima ..... G09B 27/02  
434/286  
4,588,384 A \* 5/1986 Shiba ..... G09B 27/00  
434/286  
4,606,627 A \* 8/1986 Hattori ..... G09B 27/00  
353/119  
4,639,224 A \* 1/1987 Maejima ..... G09B 27/00  
434/286  
4,643,681 A \* 2/1987 Suzuki ..... G09B 27/00  
434/286

(Continued)

(\*\*) Term: **15 Years**  
(21) Appl. No.: **29/587,696**  
(22) Filed: **Dec. 15, 2016**

**FOREIGN PATENT DOCUMENTS**

JP 1502358 S 7/2014

**OTHER PUBLICATIONS**

Johann Ambrosius Barth, "Der Himmel Auf Erden", Die Welt der Planetarien, 1992, pp. 38 and 48.

(30) **Foreign Application Priority Data**  
Jun. 15, 2016 (JP) ..... 2016-012743  
(51) **LOC (11) Cl.** ..... **16-02**  
(52) **U.S. Cl.**  
USPC ..... **D16/221; D16/225**  
(58) **Field of Classification Search**  
USPC ..... D16/221, 225, 229-231; D21/514;  
D19/59, 62  
CPC .... G03B 21/00; G03B 21/001; G03B 21/003;  
G03B 21/14; G03B 21/142; G09B 27/00;  
G09B 27/02  
See application file for complete search history.

*Primary Examiner* — Wan Laymon

(74) *Attorney, Agent, or Firm* — Buchanan Ingersoll & Rooney PC

(57) **CLAIM**

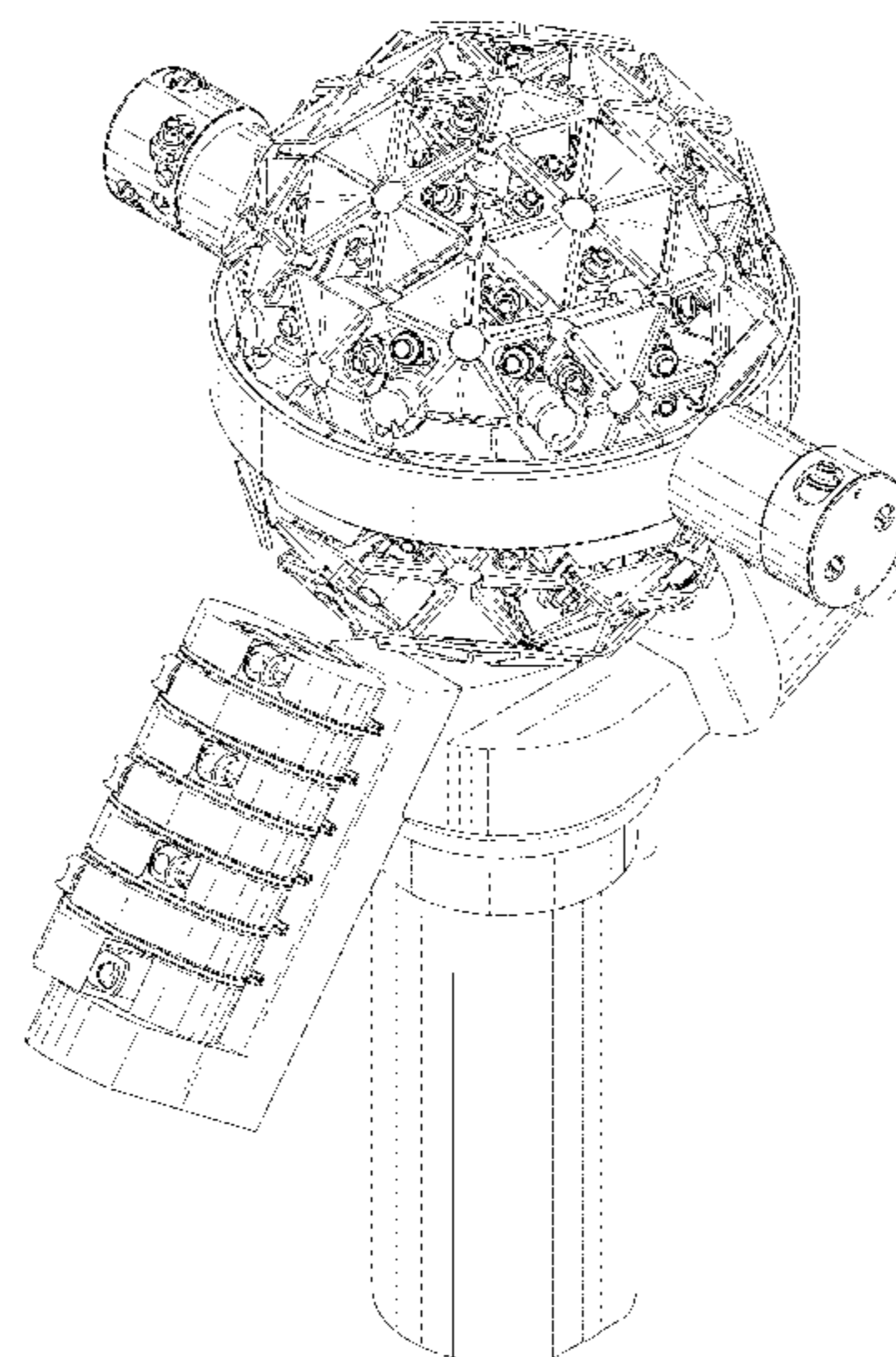
The ornamental design for a planetarium projector, as shown and described.

**DESCRIPTION**

FIG. 1 is a first perspective view of a planetarium projector; FIG. 2 is a second perspective view thereof; FIG. 3 is a front view thereof; FIG. 4 is a rear view thereof; FIG. 5 is a left side view thereof; FIG. 6 is a right side view thereof; FIG. 7 is a top view thereof; and, FIG. 8 is a bottom view thereof. The broken line showing in the drawings is for environmental purposes and forms no part of the claimed design.

(56) **References Cited**  
**U.S. PATENT DOCUMENTS**  
1,616,736 A \* 2/1927 Bauersfeld ..... G03B 21/00  
352/69  
2,827,827 A \* 3/1958 Spitz ..... G03B 21/00  
434/286  
3,813,156 A \* 5/1974 Davis ..... G09B 27/02  
353/119  
3,863,363 A \* 2/1975 Miyajima ..... G09B 27/02  
434/286

**1 Claim, 8 Drawing Sheets**



(56)

**References Cited**

U.S. PATENT DOCUMENTS

D294,715 S \* 3/1988 Hattori ..... D19/62  
D773,549 S \* 12/2016 Tompkin ..... D16/225

\* cited by examiner

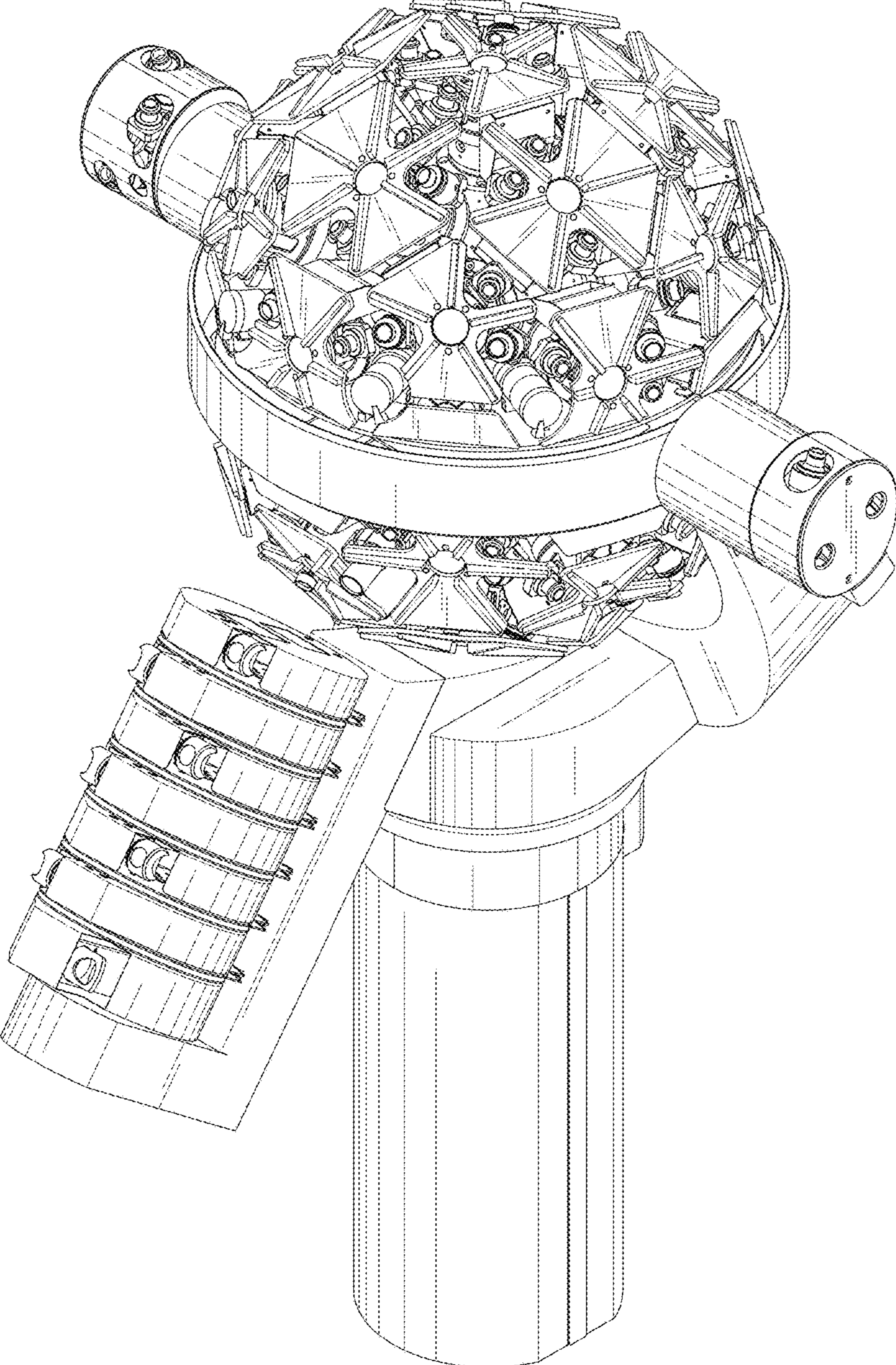


FIG. 1



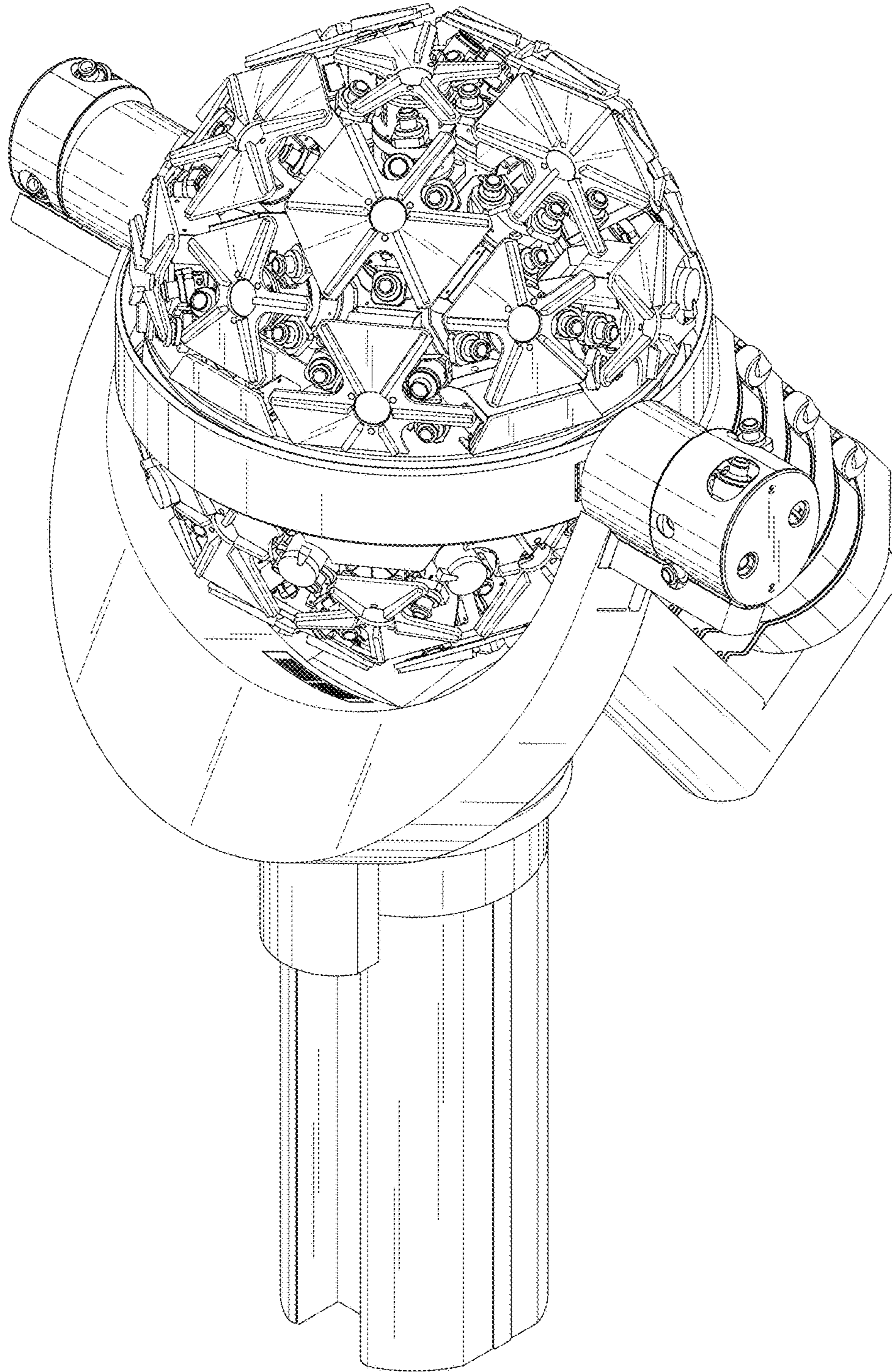


FIG.2

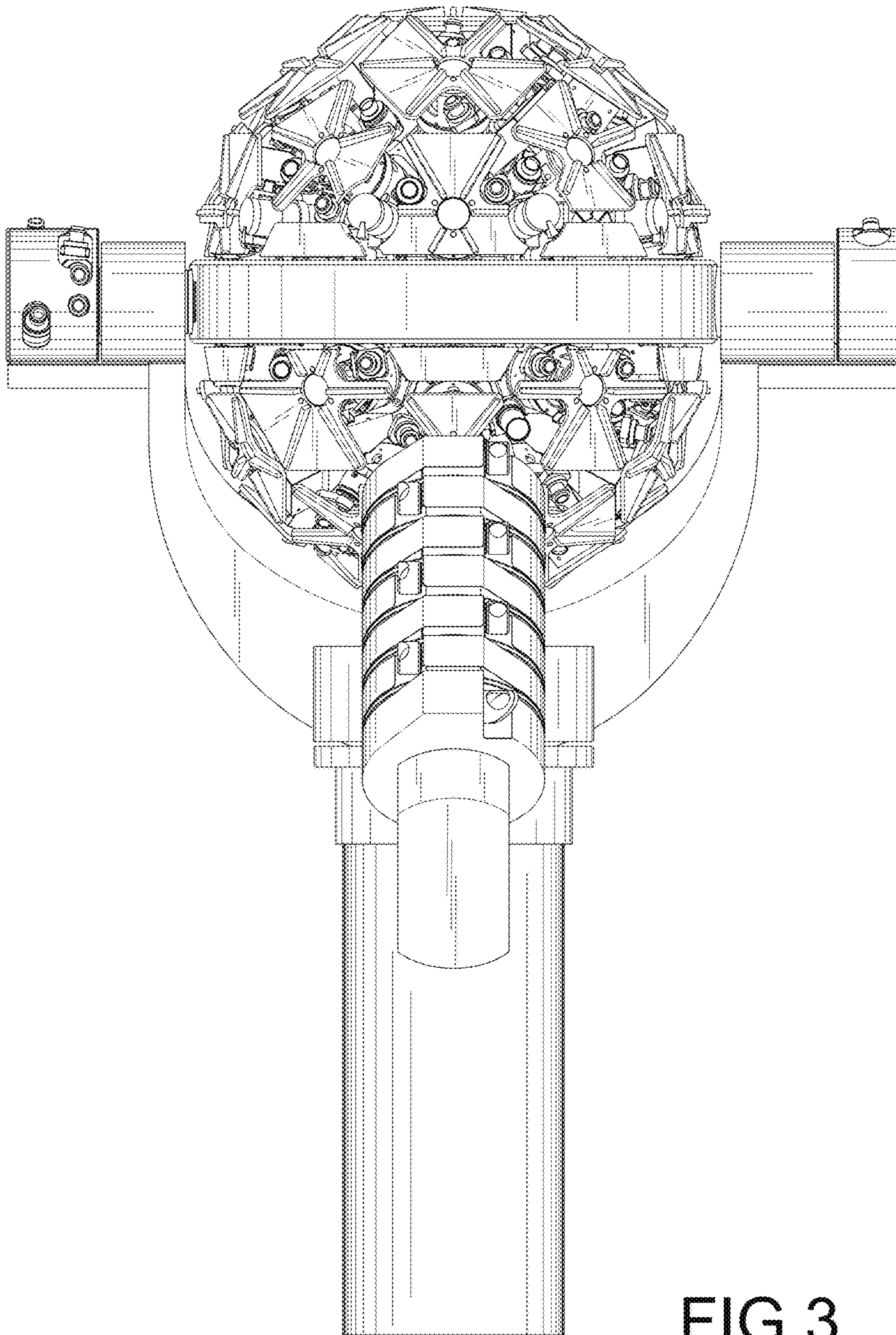


FIG.3



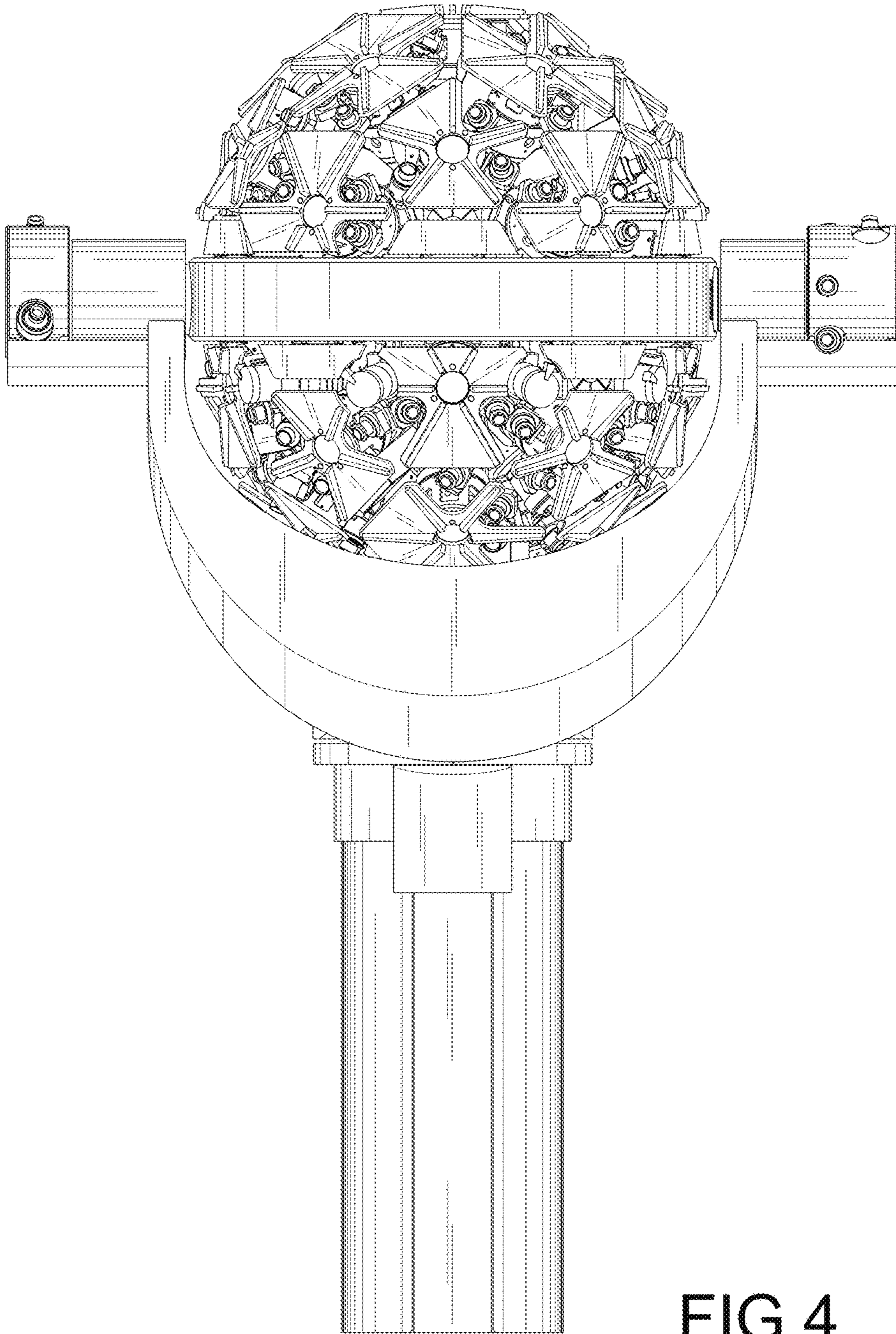


FIG.4

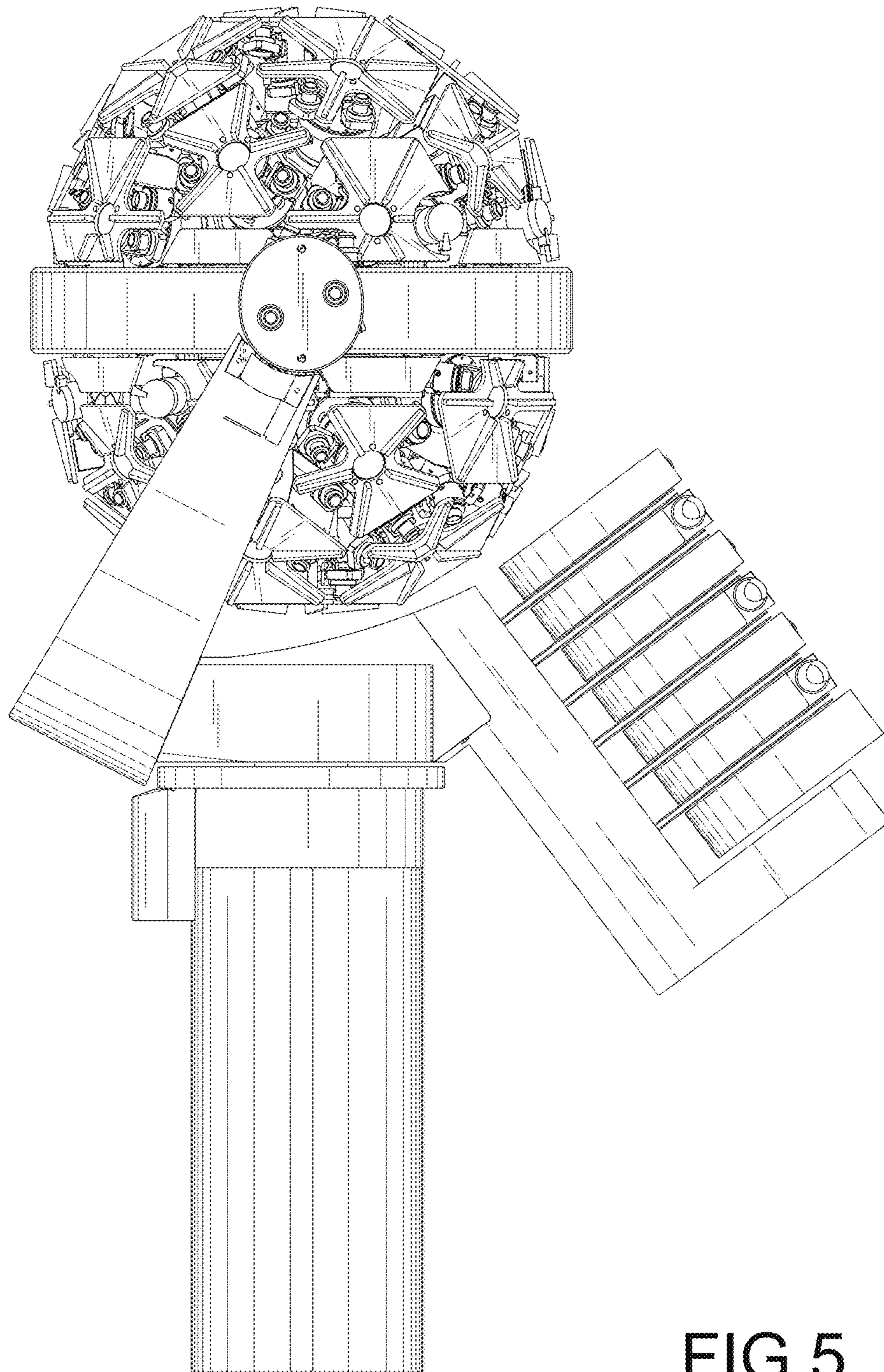


FIG. 5



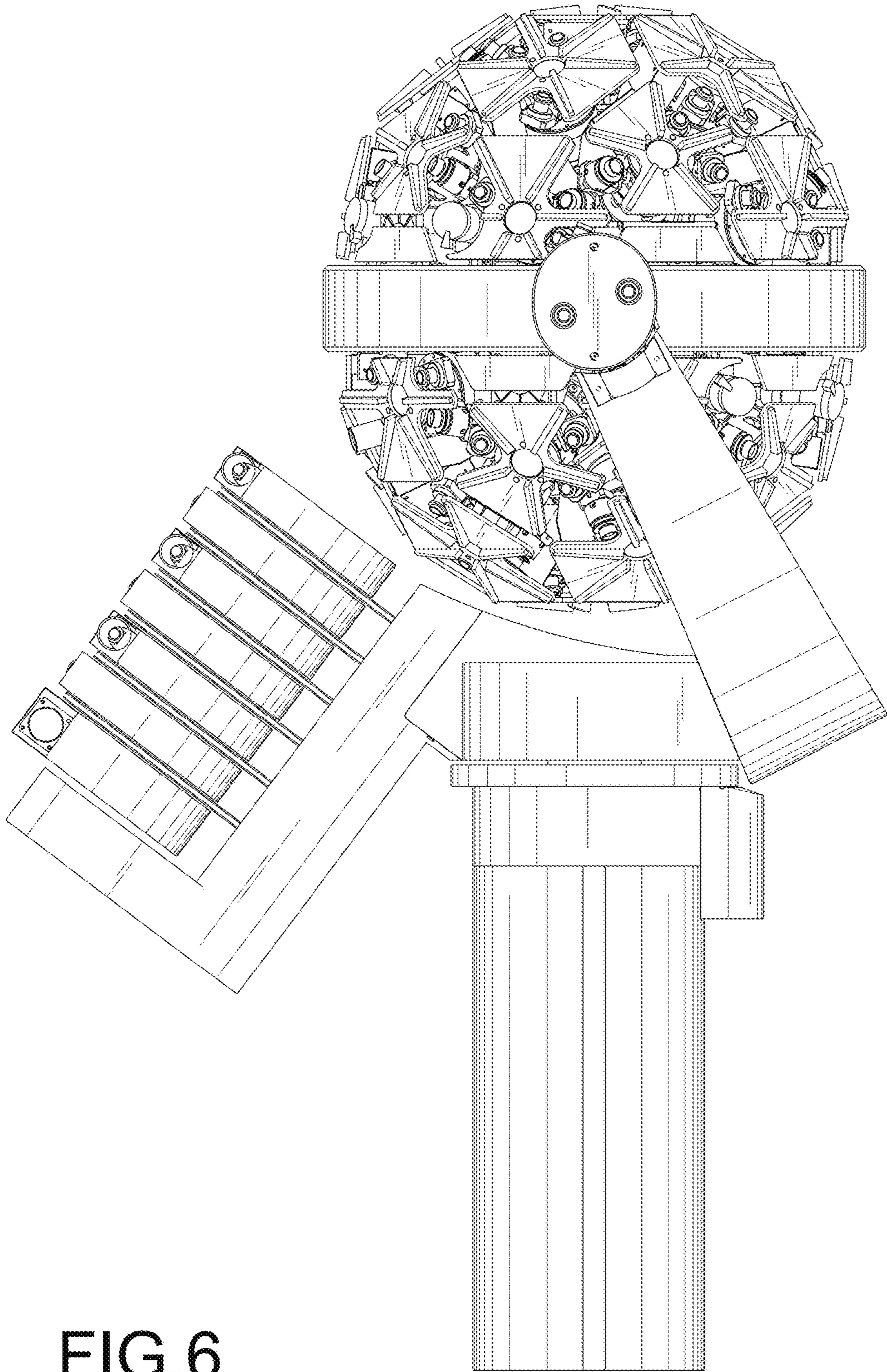


FIG. 6



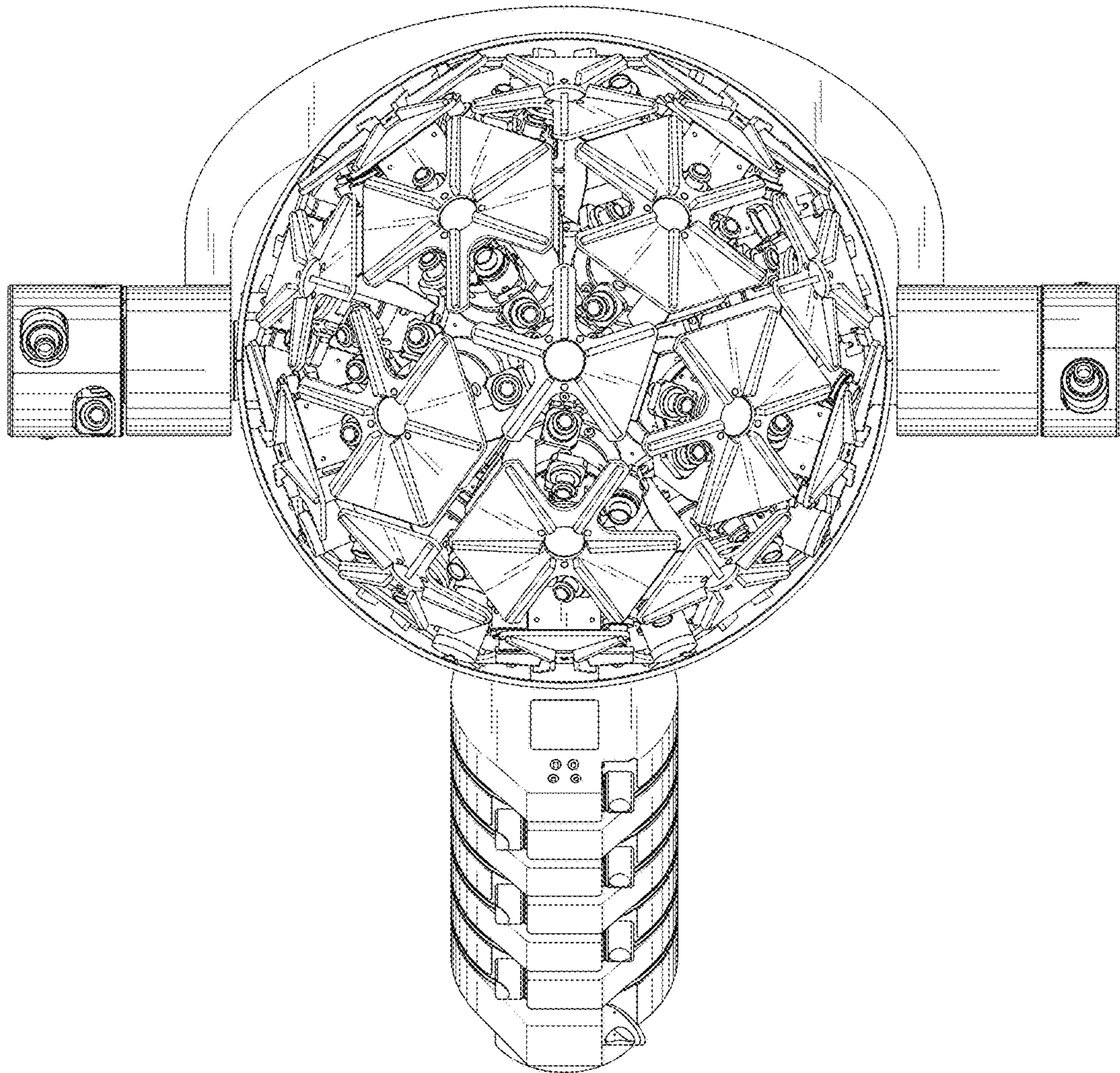


FIG. 7

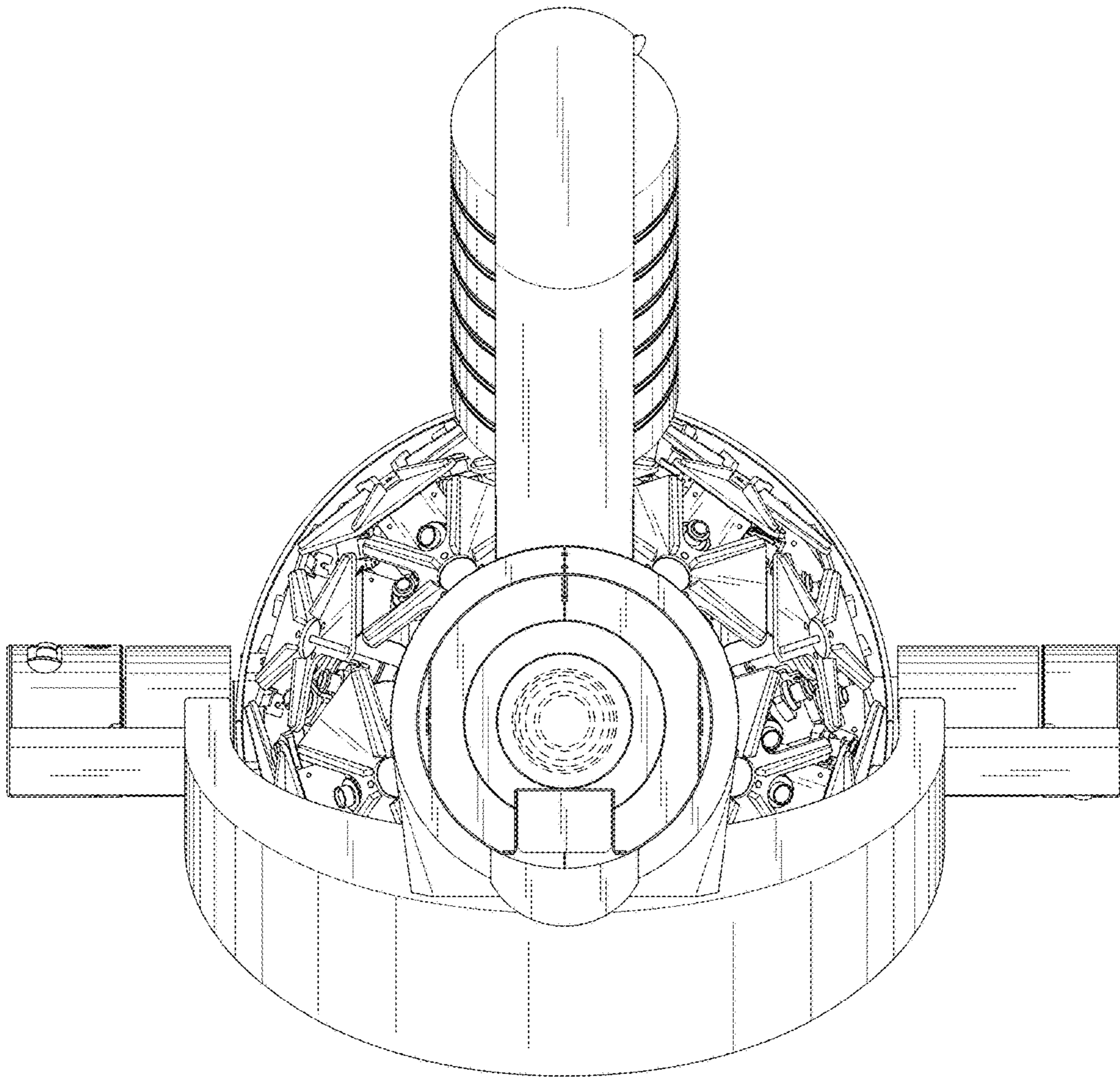


FIG.8