

US00D830446S

(12) **United States Design Patent** (10) **Patent No.:** **US D830,446 S**
Muhlenkamp, IV et al. (45) **Date of Patent:** **** Oct. 9, 2018**

(54) **MULTI-LENS CAMERA**
(71) Applicant: **GoPro, Inc.**, San Mateo, CA (US)
(72) Inventors: **John George Muhlenkamp, IV**,
Brisbane, CA (US); **Huy Phuong**
Nguyen, San Mateo, CA (US)
(73) Assignee: **GoPro, Inc.**, San Mateo, CA (US)
(**) Term: **15 Years**

D496,674 S * 9/2004 Hayashi D16/202
D531,199 S * 10/2006 Matsuda D16/202
D594,047 S * 6/2009 Lee D16/202
D676,476 S * 2/2013 Ishikura D16/202
D692,042 S * 10/2013 Dawes D16/203
D725,691 S * 3/2015 De Rosa D16/202
D744,572 S * 12/2015 Tabuchi D16/218
D755,271 S * 5/2016 Patulski D16/202
D755,274 S * 5/2016 Lee D16/218
D764,559 S * 8/2016 Luo D16/202
2014/0160349 A1 * 6/2014 Huang H04N 5/2252
348/375

(21) Appl. No.: **29/549,344**

(22) Filed: **Dec. 21, 2015**

Related U.S. Application Data

(63) Continuation-in-part of application No. 29/548,661,
filed on Dec. 15, 2015, now abandoned.

(51) **LOC (11) Cl.** **16-01**

(52) **U.S. Cl.**
USPC **D16/218**

(58) **Field of Classification Search**

USPC D16/200, 202–207, 208–210, 212, 218,
D16/219; 348/373–376; 396/448, 535,
396/539–541

CPC G03B 15/03; G03B 17/02; G03B 17/04;
G03B 17/56; G03B 19/04; H04N 5/2251;
H04N 5/2252; H04N 5/2253; H04N
5/2254; H04N 2101/00

See application file for complete search history.

(56) **References Cited**

U.S. PATENT DOCUMENTS

D480,741 S * 10/2003 Berger D16/202
6,718,129 B1 * 4/2004 Cornell G03B 17/02
396/176

* cited by examiner

Primary Examiner — Philip S Hyder

Assistant Examiner — Ramzi S Almatrahi

(74) *Attorney, Agent, or Firm* — Young Basile Hanlon &
MacFarlane, P.C.

(57) **CLAIM**

The ornamental design for a multi-lens camera, as shown
and described.

DESCRIPTION

FIG. 1 is a perspective view of a multi-lens camera showing
our new design;

FIG. 2 is a front elevation view thereof;

FIG. 3 is a rear elevation view thereof;

FIG. 4 is a right elevation view thereof;

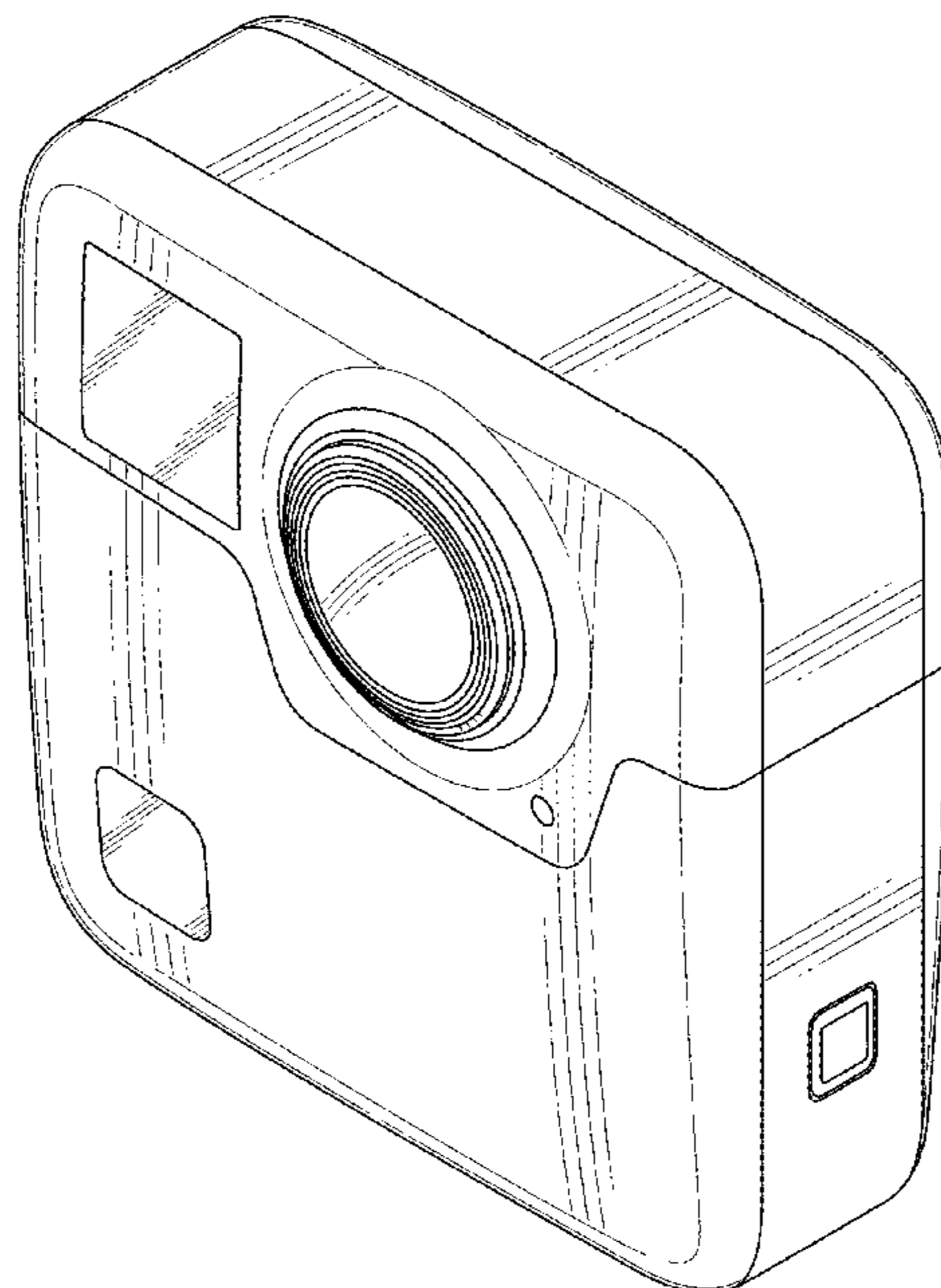
FIG. 5 is a left elevation view thereof;

FIG. 6 is a top plan view thereof; and,

FIG. 7 is a bottom plan view thereof.

The broken lines depict portions of the multi-lens camera in
which the design is embodied that form no part of the
claimed design.

1 Claim, 7 Drawing Sheets



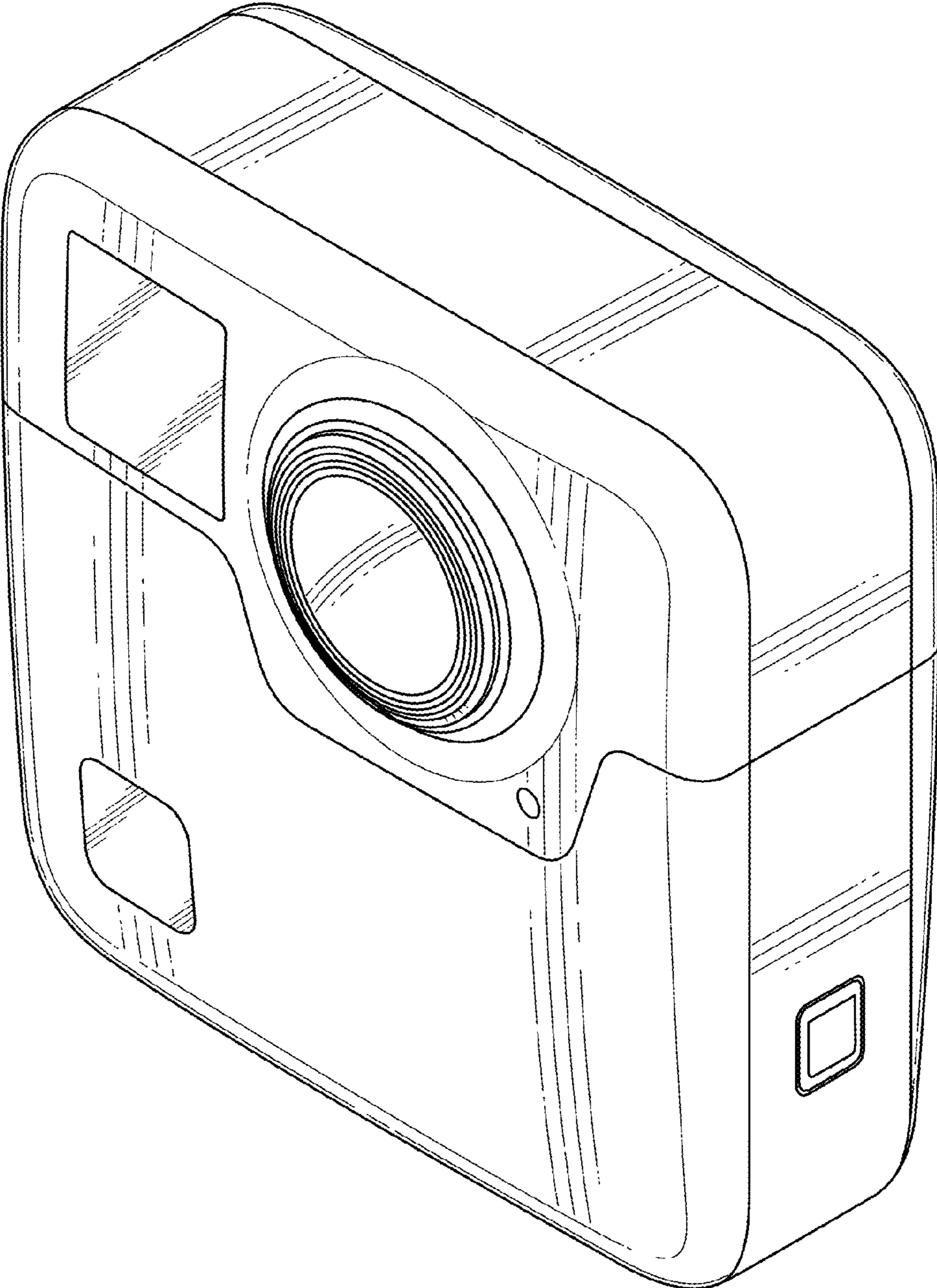


FIG. 1

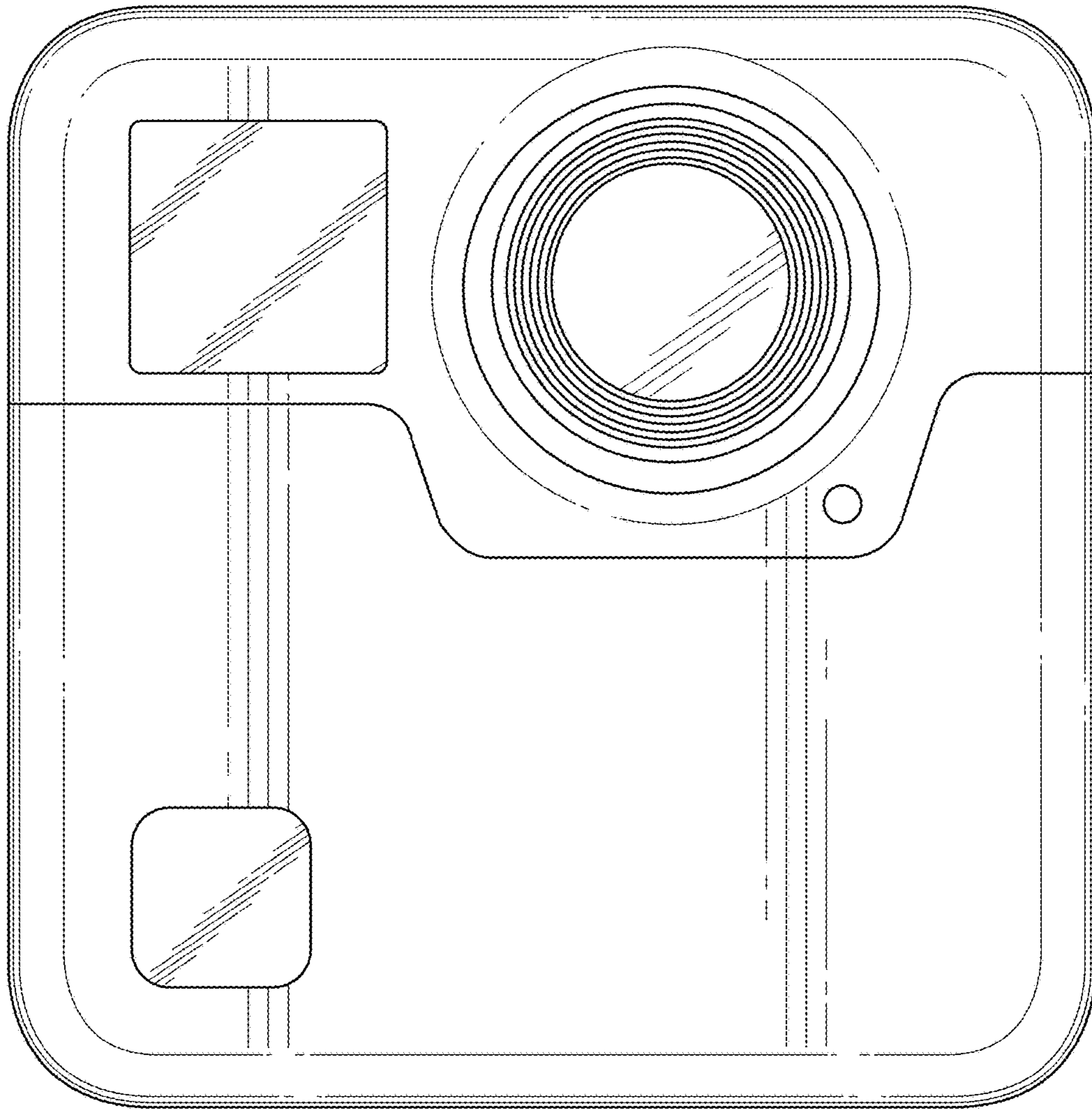


FIG. 2

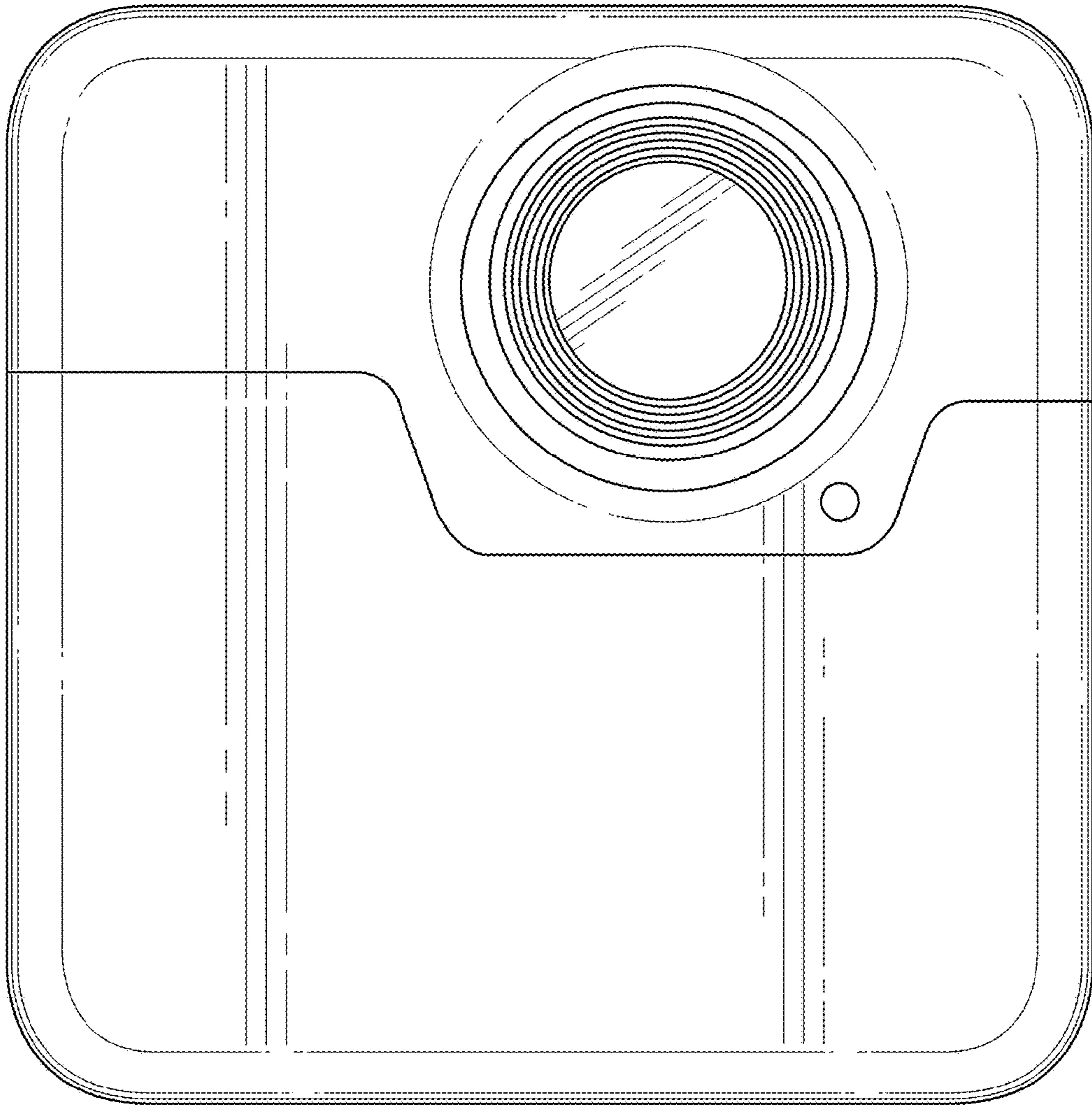


FIG. 3

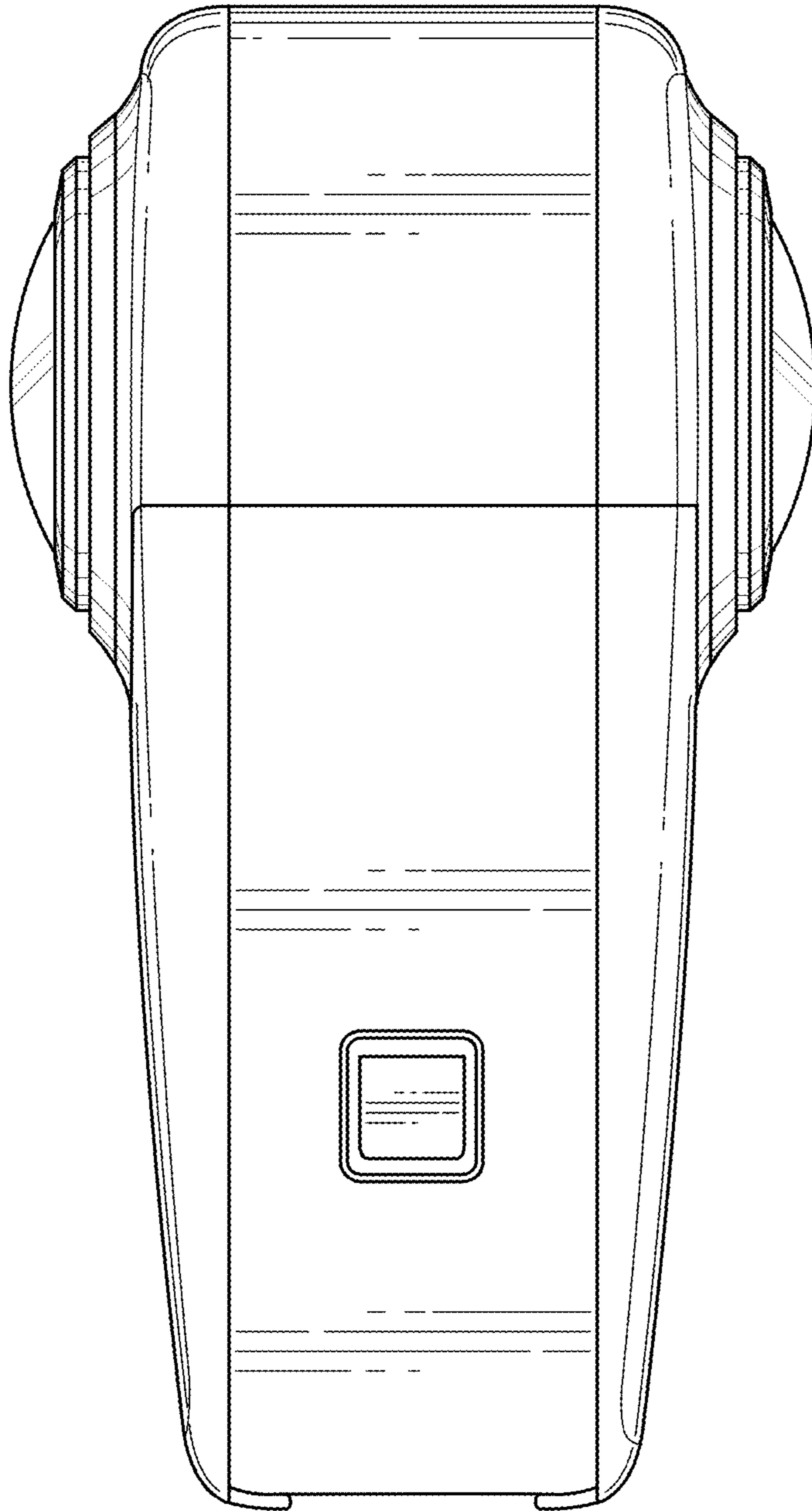


FIG. 4

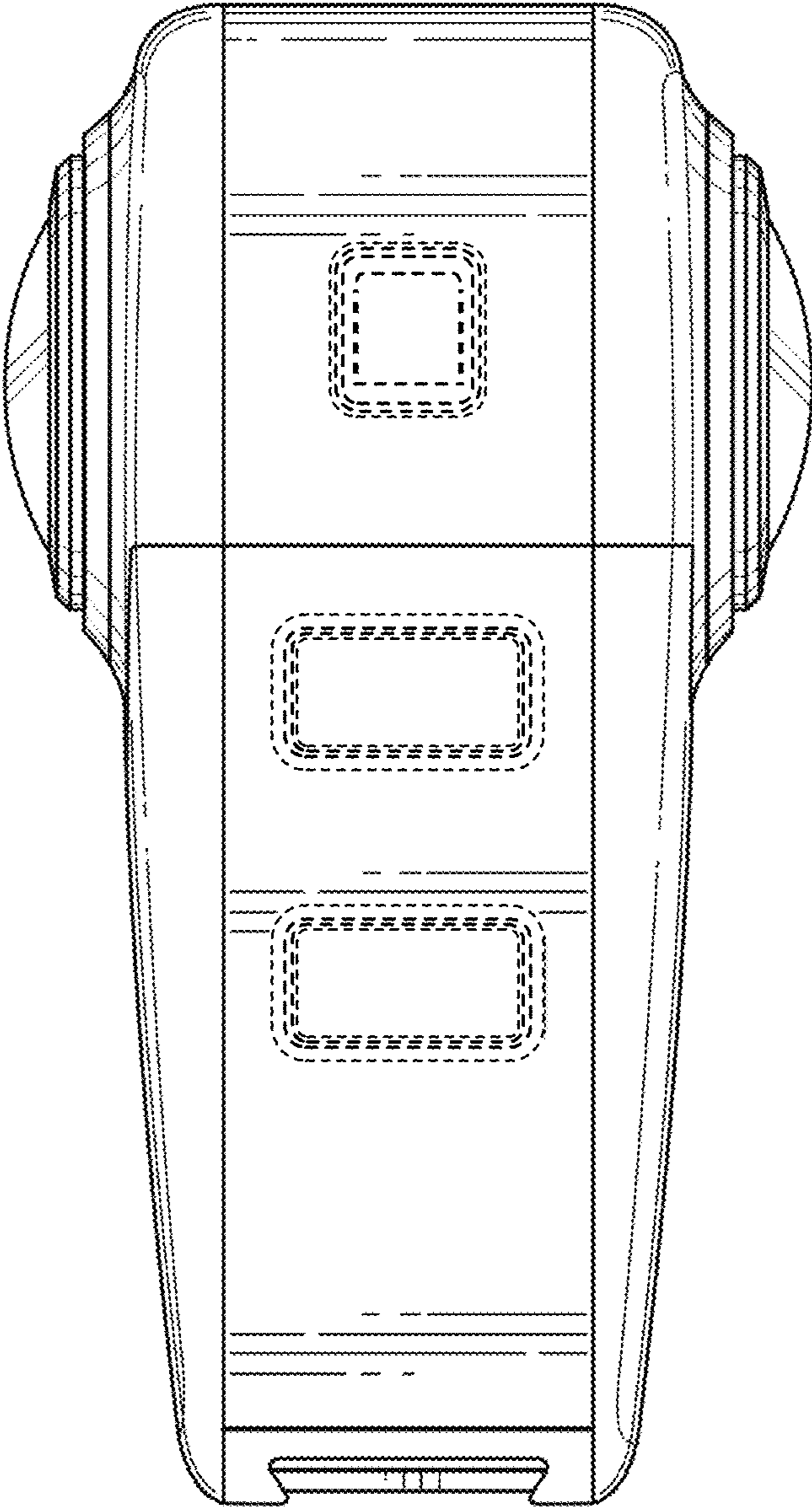


FIG. 5

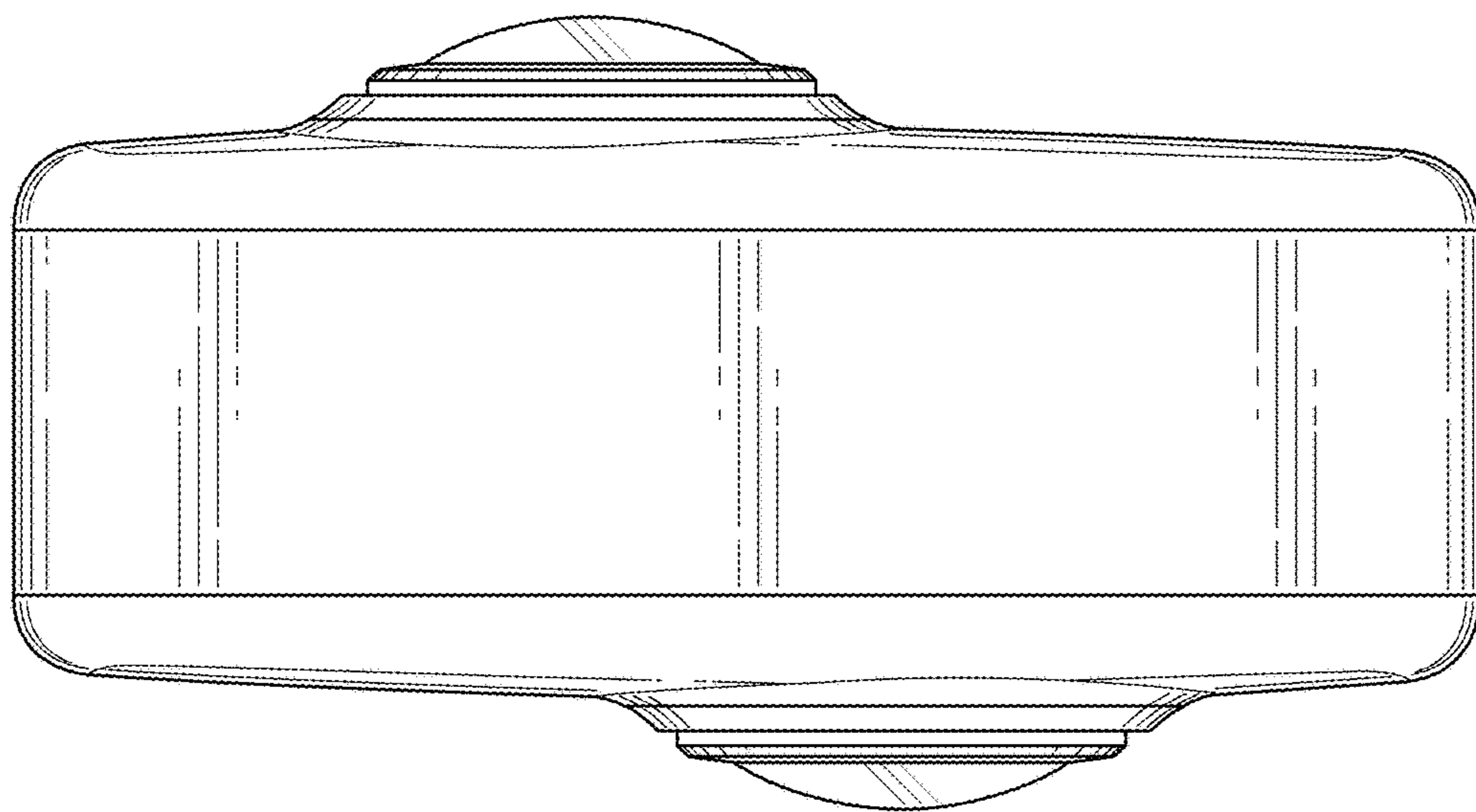


FIG. 6

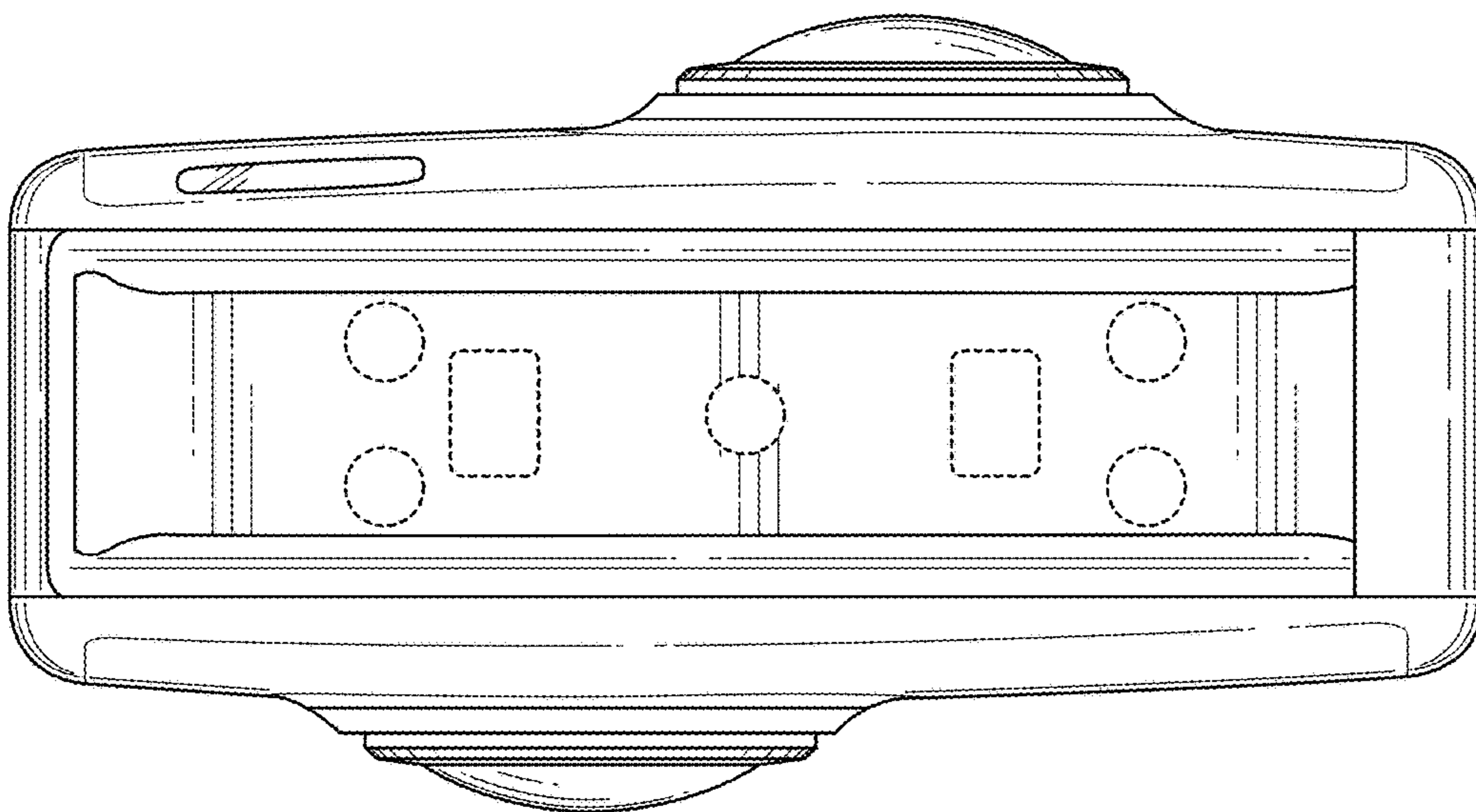


FIG. 7