



US00D830445S

(12) **United States Design Patent**  
**Cabral et al.**

(10) **Patent No.:** **US D830,445 S**

(45) **Date of Patent:** **\*\* Oct. 9, 2018**

(54) **PANORAMIC VIRTUAL REALITY CAMERA**

(71) Applicant: **Facebook, Inc.**, Menlo Park, CA (US)

(72) Inventors: **Brian Keith Cabral**, San Jose, CA (US); **Joyce Hsu**, Oakland, CA (US); **Andrew Hamilton Coward**, State College, PA (US)

(73) Assignee: **Facebook, Inc.**, Menlo Park, CA (US)

(\*\*) Term: **15 Years**

(21) Appl. No.: **29/569,876**

(22) Filed: **Jun. 30, 2016**

(51) **LOC (11) Cl.** ..... **16-01**

(52) **U.S. Cl.**

USPC ..... **D16/207**; D16/219; D16/202

(58) **Field of Classification Search**

USPC ... D14/307, 218, 130, 144, 140.2, 132, 341, D14/345, 358, 242, 231, 317, 203.8, D14/209.1, 212, 421-423; D16/200-220, D16/229, 230, 242, 244, 245, 238; D20/21, 38; D23/283, 305; D25/20, 58; D10/21, 25, 29, 53, 10, 49, 50; D26/93; D9/430; D6/338

CPC ..... H04N 7/181; H04N 7/183; H04N 7/18; H04N 3/08; H04N 5/23248; H04N 5/23287; H04N 5/23258; H04N 5/2251; H04N 5/2252; H04N 2007/145; H04N 7/00; G01C 11/025; G03B 15/00; G03B 15/03; G03B 17/56; G03B 17/02; G03B 17/30; G03B 17/04; G03B 17/00; G03B 19/04; G03B 3/00; G03B 9/08; G03B 9/06; G03B 9/07; B60R 1/00; B60R 2300/105; G08B 13/19619; G08B

13/1963; G08B 13/19632; F16M 11/04; F16M 13/00; Y02E 60/12; G02B 5/00

See application file for complete search history.

(56) **References Cited**

U.S. PATENT DOCUMENTS

3,535,442 A \* 10/1970 Jennings ..... G08B 13/1963 348/151

D253,786 S 12/1979 Montague  
D262,222 S 12/1981 Vernon

(Continued)

FOREIGN PATENT DOCUMENTS

CN 304096250 \* 4/2017  
CN 304096251 \* 4/2017  
CN 304104906 \* 4/2017

OTHER PUBLICATIONS

Facebook 360-degree video camera, announced Apr. 12, 2016 [online], [site visited Jul. 7, 2017] Available from Internet URL: <<https://www.theverge.com/2016/4/12/11395898/facebook-surround-360-video-camera-vr-f8-conference>>.\*

(Continued)

*Primary Examiner* — Jeffrey D Asch

*Assistant Examiner* — Mary C Ramirez

(74) *Attorney, Agent, or Firm* — Fenwick & West LLP

(57) **CLAIM**

We claim the ornamental design for a panoramic virtual reality camera, as shown and described.

**DESCRIPTION**

FIG. 1 is a top isometric view of a panoramic virtual reality camera showing the new design.

FIG. 2 is a bottom isometric view thereof.

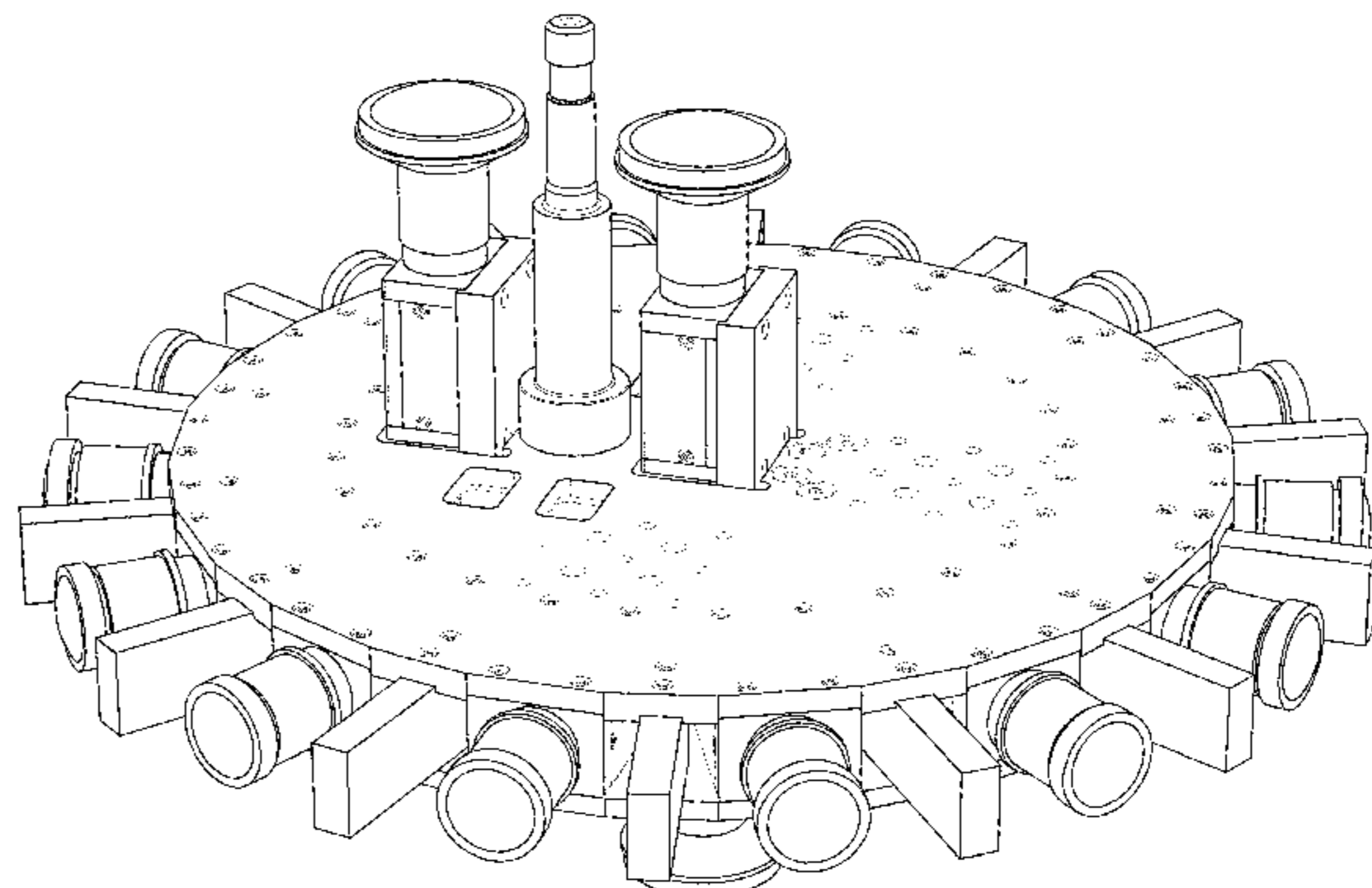
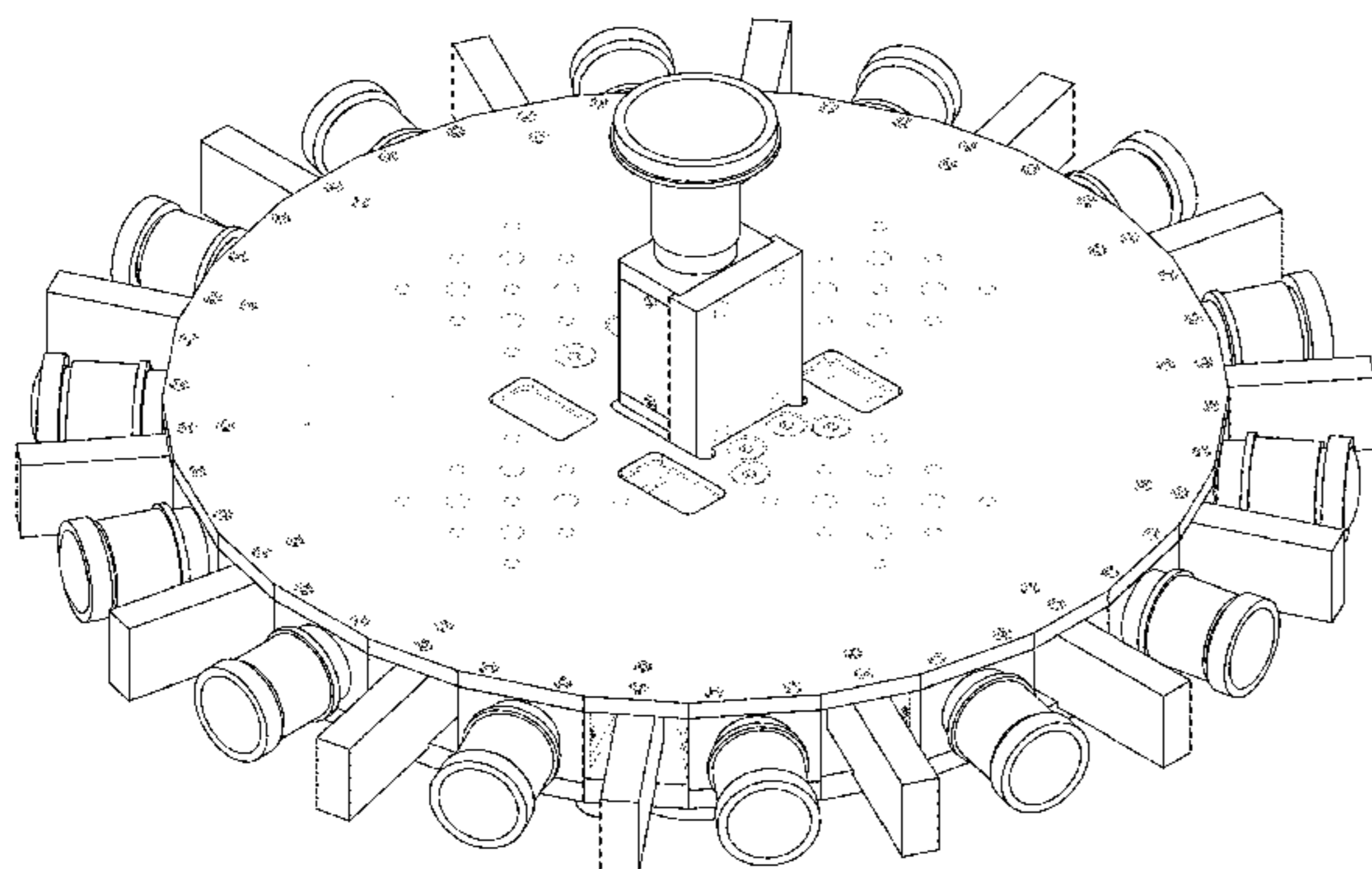
FIG. 3 is a first side view thereof.

FIG. 4 is a second side view thereof.

FIG. 5 is a top view thereof; and,

FIG. 6 is a bottom view thereof.

(Continued)



The broken lines in the drawings depict portions of the panoramic virtual reality camera that form no part of the claimed design.

**1 Claim, 6 Drawing Sheets**

(56)

**References Cited**

U.S. PATENT DOCUMENTS

D288,414	S *	2/1987	Finkler .....	D10/64
D331,060	S	11/1992	Emmons et al.	
D424,086	S	5/2000	Choi	
D445,123	S	7/2001	Shen	
D475,385	S	6/2003	Christianson	
D493,479	S	7/2004	Yoshikawa	
D496,676	S	9/2004	Yoshikawa	
D505,439	S	5/2005	Liiv	
6,947,059	B2	9/2005	Pierce et al.	
7,126,630	B1 *	10/2006	Lee .....	H04N 5/225 348/159
7,429,997	B2	9/2008	Givon	
7,463,280	B2	12/2008	Steuart	
7,834,910	B2 *	11/2010	DeLorme .....	G03B 41/00 348/218.1
D645,071	S	9/2011	Hinkel	
D664,178	S	7/2012	Hinkel	
D671,157	S	11/2012	Richardson et al.	
D700,232	S	2/2014	Ramsay et al.	
D733,208	S *	6/2015	Tzarnotzky .....	D16/207
D742,955	S	11/2015	Kozko et al.	
D745,076	S	12/2015	Pfeil	
D768,751	S	10/2016	Sarwari	
9,513,458	B1 *	12/2016	Flugge .....	G02B 7/04
D780,248	S	2/2017	Anari, III et al.	
9,575,394	B1 *	2/2017	Wallace .....	H04N 5/2252
D785,070	S *	4/2017	Mistry .....	D16/207
D798,930	S	10/2017	Macmillan et al.	
D803,288	S *	11/2017	Ham .....	D16/202
9,883,159	B2 *	1/2018	Fink .....	H04N 5/2258
9,921,464	B1 *	3/2018	Choi .....	G03B 37/00
D818,024	S *	5/2018	Chen .....	D16/202
D819,105	S *	5/2018	Kitade .....	D16/202
D821,479	S *	6/2018	Cabral .....	D16/207
2005/0207487	A1 *	9/2005	Monroe .....	G08B 13/19628 375/240.01
2008/0298674	A1 *	12/2008	Baker .....	G06K 9/209 382/154
2009/0201413	A1 *	8/2009	Fishman .....	H04N 5/2252 348/373
2011/0249100	A1 *	10/2011	Jayaram .....	H04N 5/2253 348/48
2014/0153916	A1 *	6/2014	Kintner .....	G03B 17/561 396/419

2015/0138311	A1 *	5/2015	Towndrow .....	H04N 5/23238 348/36
2015/0346589	A1	12/2015	Dering et al.	
2016/0191815	A1 *	6/2016	Annau .....	H04N 5/247 348/38
2016/0212409	A1 *	7/2016	Cole .....	H04N 13/0022
2016/0352982	A1 *	12/2016	Weaver .....	H04N 5/23238

OTHER PUBLICATIONS

Facebook Surround 360 3-D 360-Degree Camera System, announced Apr. 12, 2016 [online], [site visited Jul. 7, 2017] Available from Internet URL: <<http://www.adweek.com/digital/f8-2016-facebook-surround-360/>>.\*

360 Degree Photo, announced Jun. 12, 2016 [online], [site visited Jul. 7, 2017] Available from Internet URL: <<https://droidsans.com/how-to-take-facebook-360photo/>>.\*

Facebook Surround 360, announced 04/0/2016 [online], [site visited Jul. 7, 2017] Available from Internet URL: <<https://web.archive.org/web/20160802133245/https://facebook360.fb.com/facebook-surround-360/>>.\*

Facebook 17-camera 3D-360 video capture system, announced Jul. 30, 2016 [online], [site visited Jul. 7, 2017] Available from Internet URL: <<http://linuxgizmos.com/facebook-open-sources-a-3d-360-video-capture-system/>>.\*

GoPro Odyssey, six pages, [online] [retrieved Jun. 22, 2016], Retrieved from the internet <<https://gopro.com/odyssey>>.

Jump—Google VR, five pages, [online] [retrieved Jun. 22, 2016], Retrieved from the internet <<https://vr.google.com/jump/>>.

Lee, Nicole, “Samsung unveils Project Beyond, a 3D-capturing camera for Gear VR,” engadget, Nov. 12, 2014, two pages, [online] [retrieved Jun. 22, 2016], Retrieved from the internet <<https://www.engadget.com/2014/11/12/samsung-project-beyond/>>.

Lytro Immerge, six pages, [online] [retrieved Jun. 22, 2016], Retrieved from the internet <<https://www.lytro.com/immerge#immergeDetails>>.

Nokia OZO: Virtual Reality Camera with 360degree audio and video capture, six pages, [online] [retrieved Jun. 22, 2016], Retrieved from the internet <<https://ozo.nokia.com/>>.

Technology—Jaunt, four pages, [online] [retrieved Jun. 22, 2016], Retrieved from the internet <<https://www.jauntvr.com/technology/>>.

Aldred, J., “Facebook Posts its Open Source 3D 360 Camera Rig and Software to Github,” posted at Diyphotography.net, Jul. 29, 2016, three pages. [Online], [Retrieved Jun. 19, 2017] Retrieved from the Internet, <URL: <http://www.diyphotography.net/facebook-posts-open-source-3d-360-camera-rig-software-github/>>.

Facebook 360 Surround Camera, announced Apr. 12, 2016 [on line], [site visited Oct. 26, 2016], Available from Internet URL: <<https://www.youtube.com/watch?v=H Eua6dQrg0g>> at approximately 2:15.

Surround 360 VR Camera, announced Apr. 12, 2016 [on line], [site visited Oct. 26, 2016], Available from Internet URL: <<https://www.youtube.com/watch?v=zwrsgQpHJWI>> at approximately 7:45.

\* cited by examiner



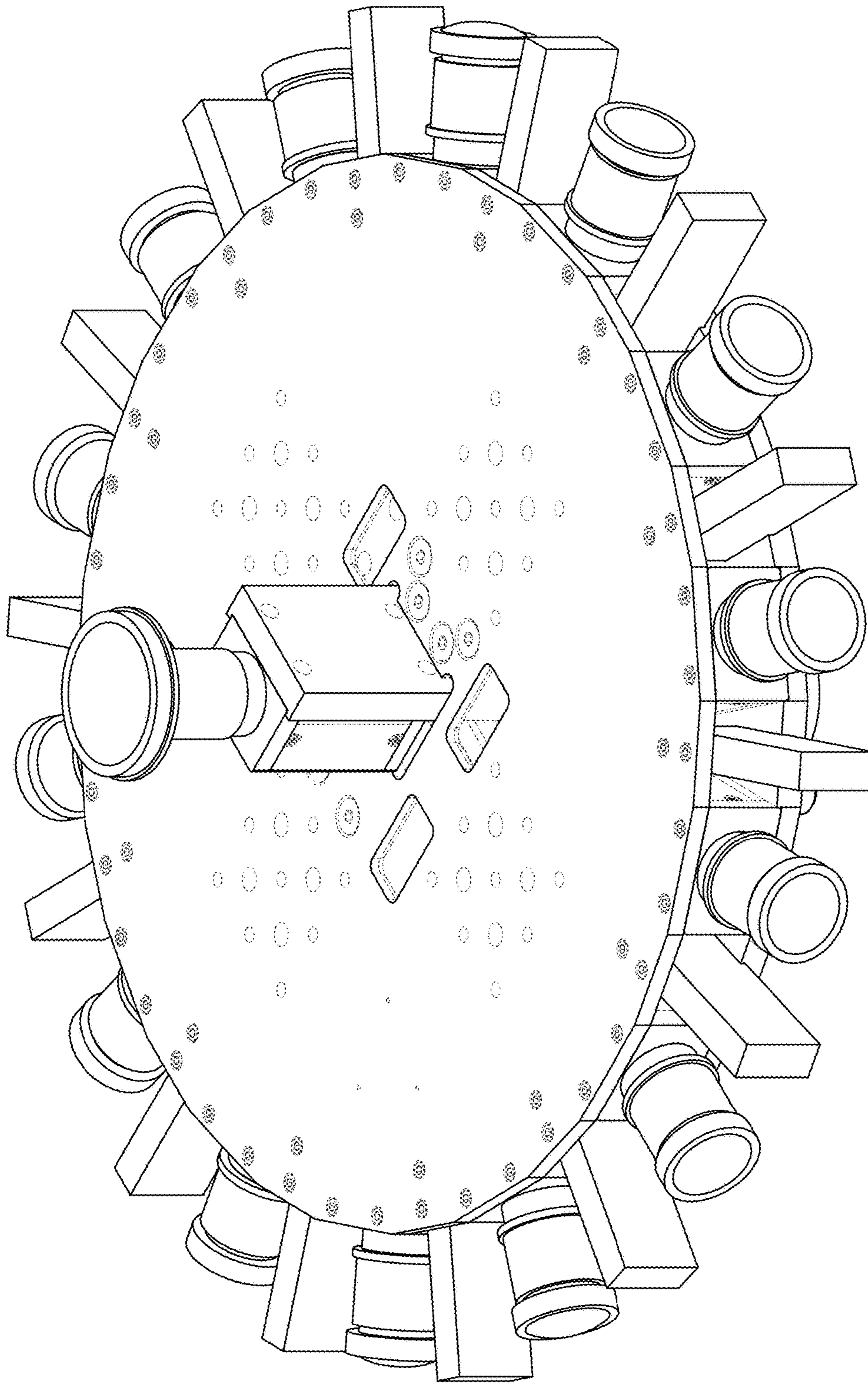


FIG. 1

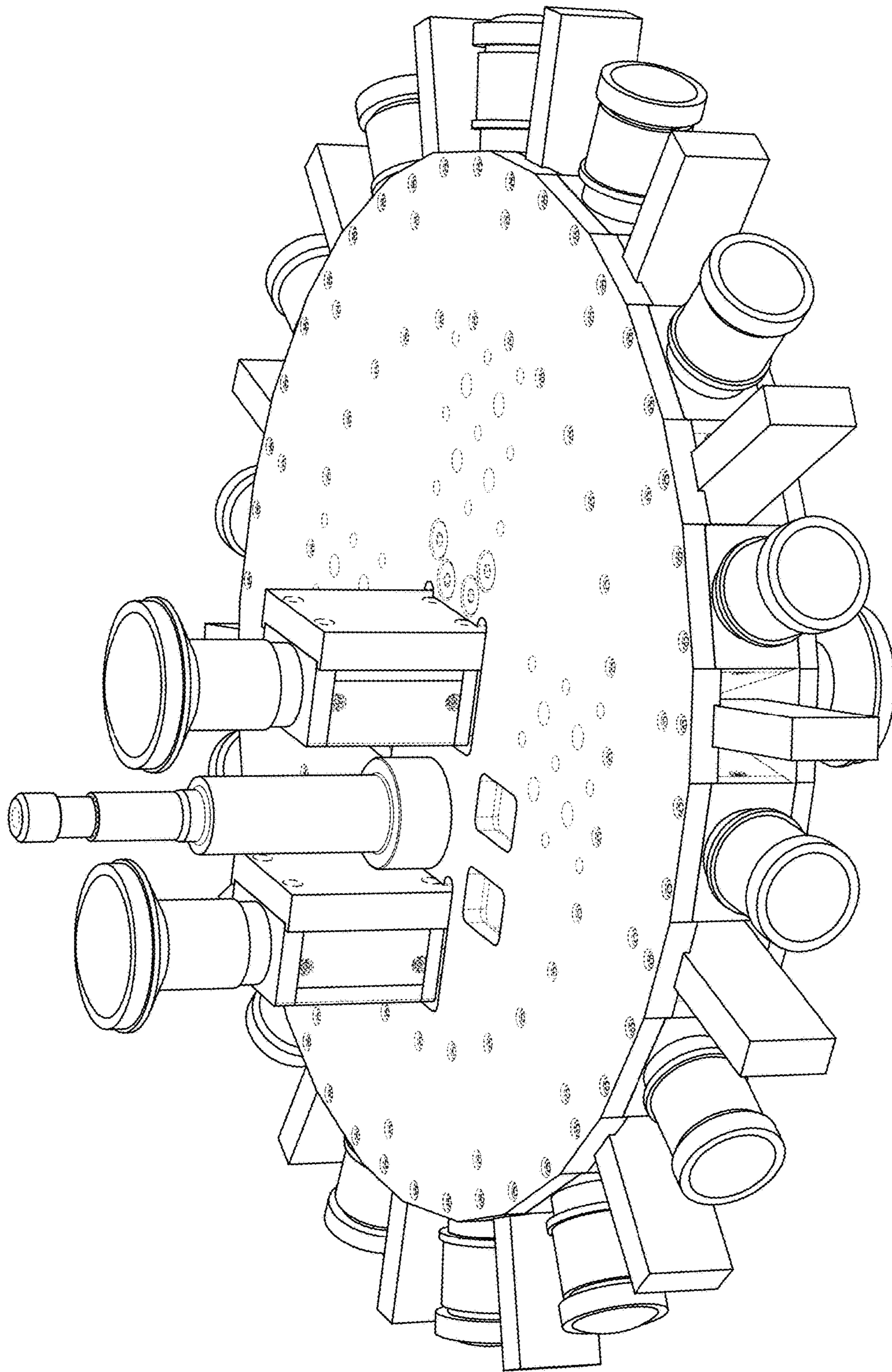


FIG. 2



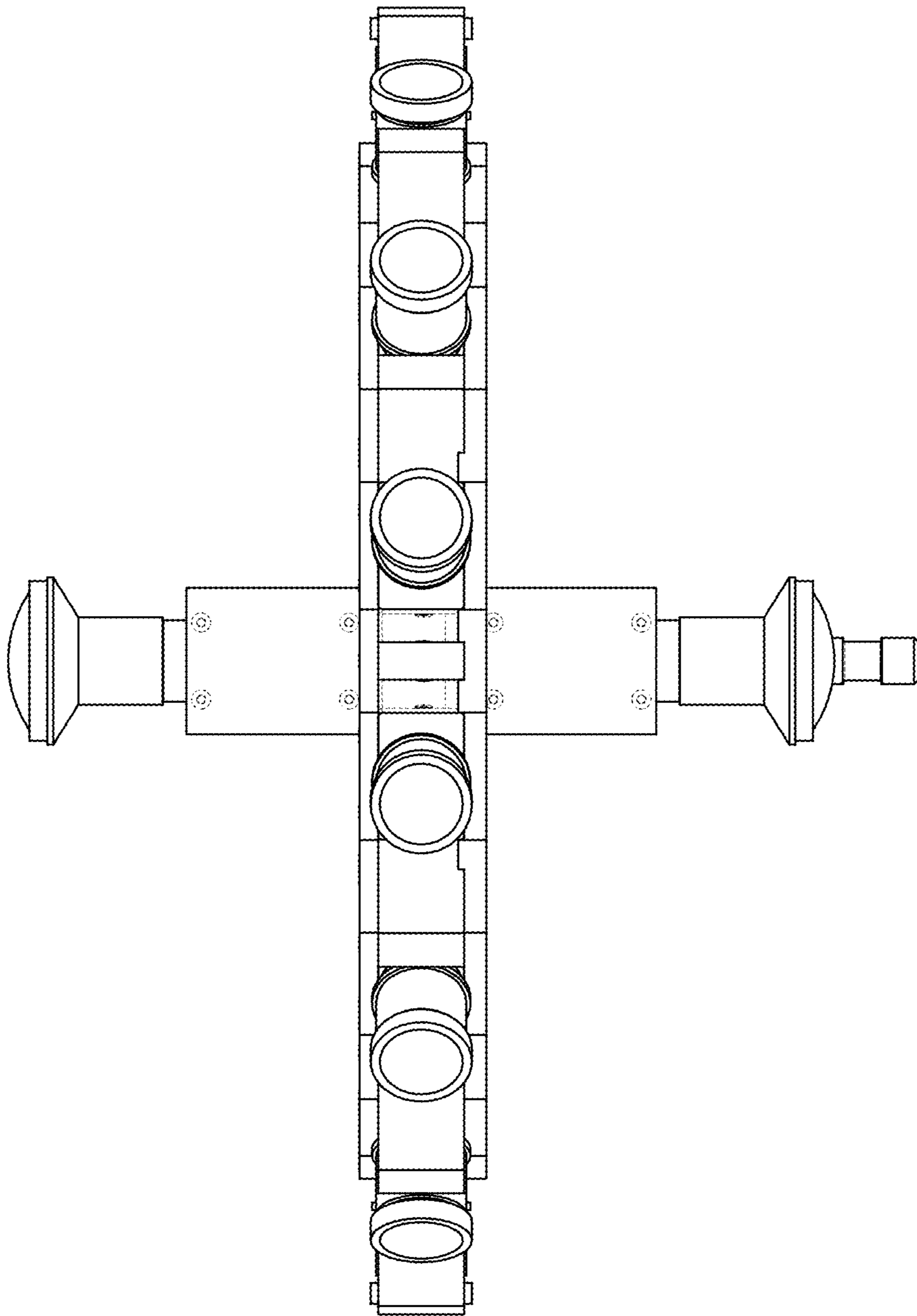


FIG. 4



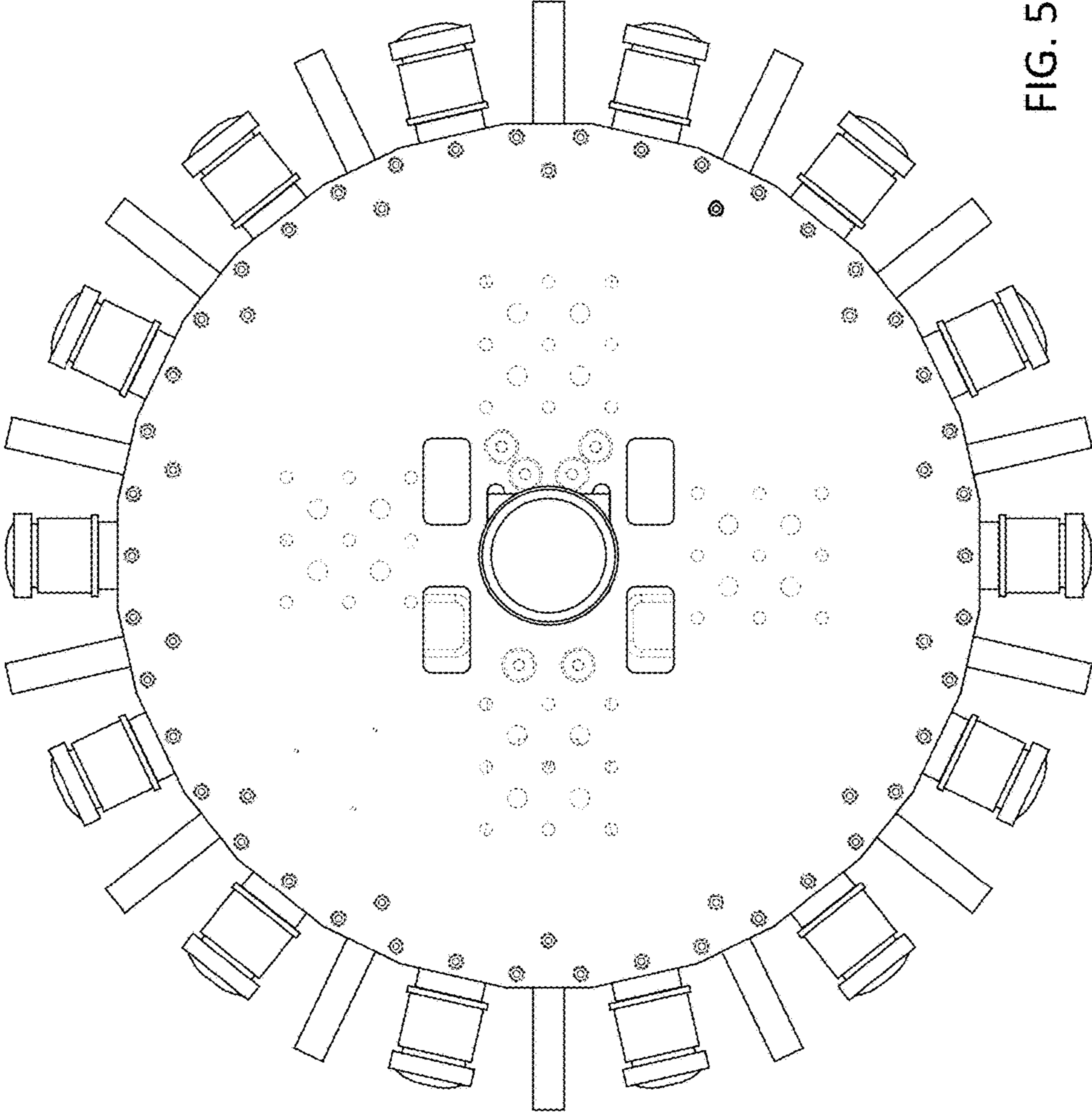


FIG. 5

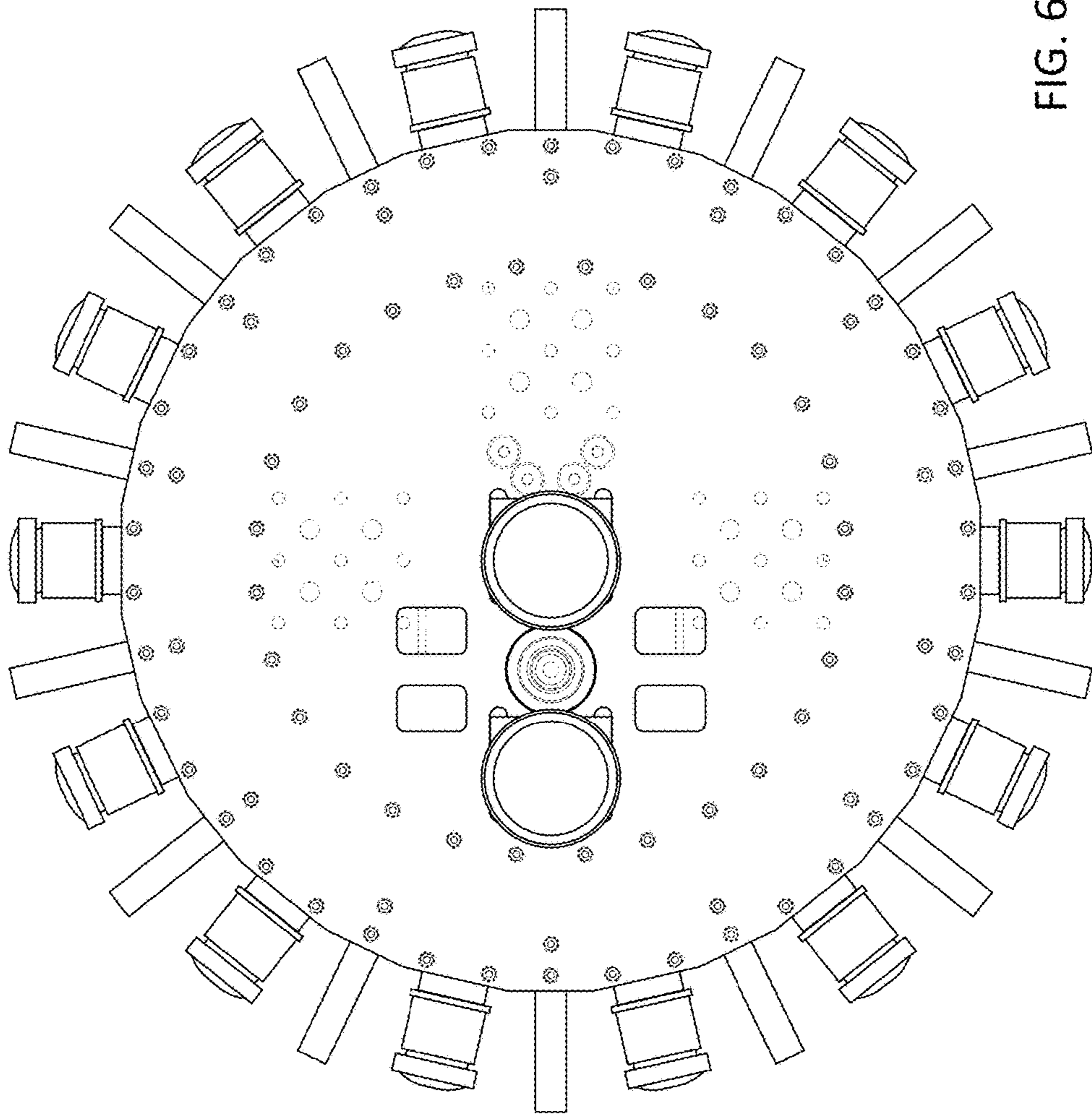


FIG. 6