



US00D830444S

(12) **United States Design Patent**
Cabral et al.

(10) **Patent No.:** **US D830,444 S**

(45) **Date of Patent:** **** Oct. 9, 2018**

(54) **PANORAMIC VIRTUAL REALITY CAMERA**

(71) Applicant: **Facebook, Inc.**, Menlo Park, CA (US)

(72) Inventors: **Brian Keith Cabral**, San Jose, CA (US); **Joyce Hsu**, Oakland, CA (US); **Andrew Hamilton Coward**, State College, PA (US)

(73) Assignee: **Facebook, Inc.**, Menlo Park, CA (US)

(**) Term: **15 Years**

(21) Appl. No.: **29/569,875**

(22) Filed: **Jun. 30, 2016**

(51) **LOC (11) Cl.** **16-01**

(52) **U.S. Cl.**

USPC **D16/207**

(58) **Field of Classification Search**

USPC D14/124, 125, 126, 129, 133, 314, 317, D14/336, 348-351, 356, 420; D16/200, D16/201, 202, 203, 205-221, 225, 232, D16/235

CPC G03B 15/03; G03B 17/04; G03B 17/56; G03B 19/04; H04N 5/2251-5/2254

See application file for complete search history.

(56) **References Cited**

U.S. PATENT DOCUMENTS

3,535,442 A	10/1970	Jennings	
D253,786 S *	12/1979	Montague	273/454
D262,222 S *	12/1981	Vernon, Jr.	D21/324
D288,414 S	2/1987	Finkler	
D331,060 S *	11/1992	Emmons	D14/218
D424,086 S *	5/2000	Choi	D16/202
D445,123 S *	7/2001	Shen	D16/244
D475,385 S *	6/2003	Christianson	D16/202
D493,479 S *	7/2004	Yoshikawa	D16/202
D496,676 S *	9/2004	Yoshikawa	D16/202
D505,439 S *	5/2005	Liiv	D16/202

6,947,059 B2 * 9/2005 Pierce H04N 5/23238 345/629

7,126,630 B1 10/2006 Lee et al.

7,429,997 B2 * 9/2008 Givon G03B 35/00 348/38

(Continued)

FOREIGN PATENT DOCUMENTS

CN	304096250	4/2017
CN	304096251	4/2017
CN	304104906	4/2017

OTHER PUBLICATIONS

Facebook Posts its Open Source 3D 360 Camera Rig and Software toGithub, posted at Diyphotography.net, posting date Jul. 29, 2016, [online], [site visited Jun. 19, 2017]. Available from Internet, URL: <http://www.diyphotography.net/facebook-posts-open-source-3d-360-camera-rig-software-github/>.*

(Continued)

Primary Examiner — Susan E Krakower

Assistant Examiner — L. A. Grabenstetter

(74) *Attorney, Agent, or Firm* — Fenwick & West LLP

(57) **CLAIM**

We claim the ornamental design for a panoramic virtual reality camera, as shown and described.

DESCRIPTION

FIG. 1 is a top isometric view of a panoramic virtual reality camera.

FIG. 2 is a bottom isometric view thereof.

FIG. 3 is a first side view thereof.

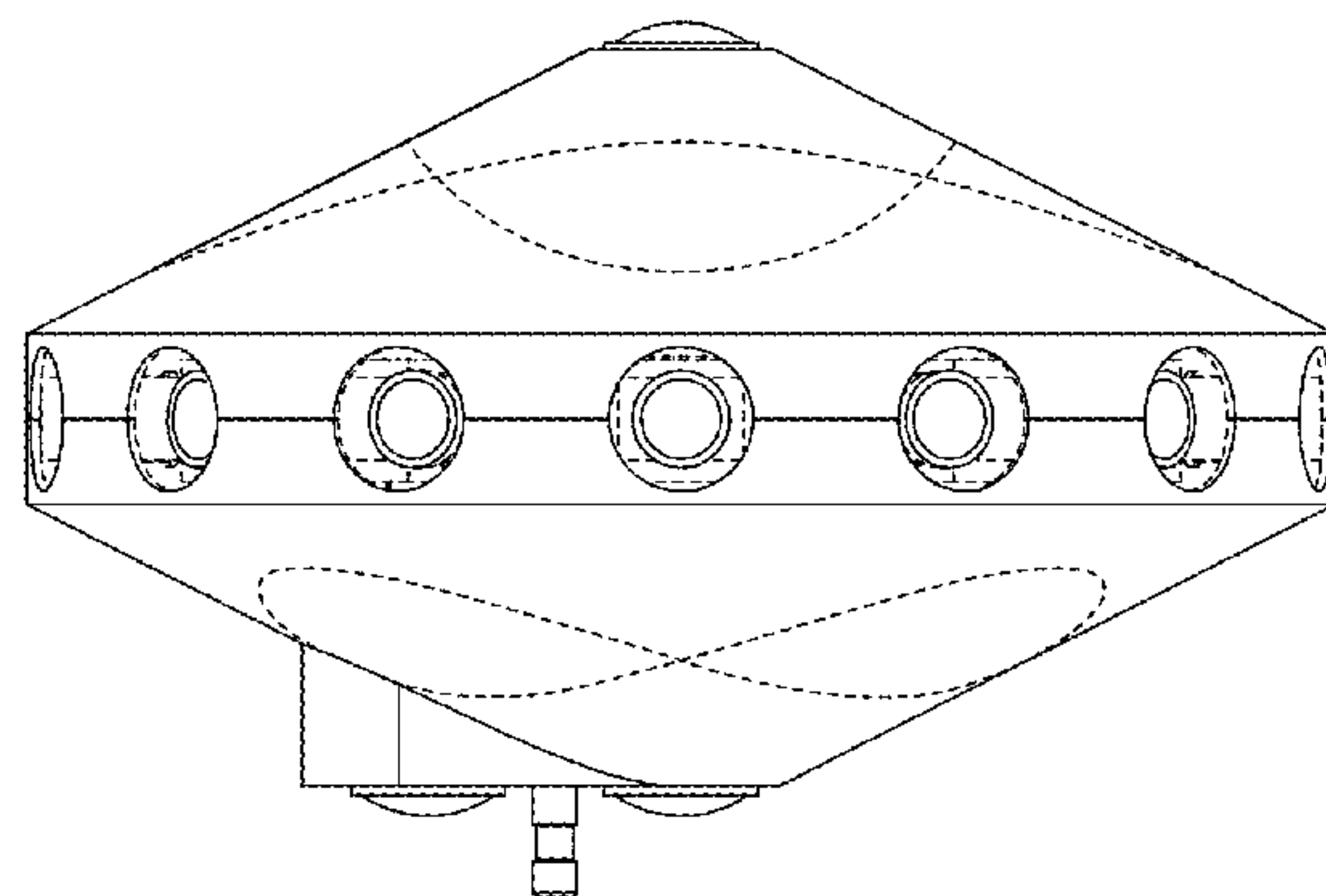
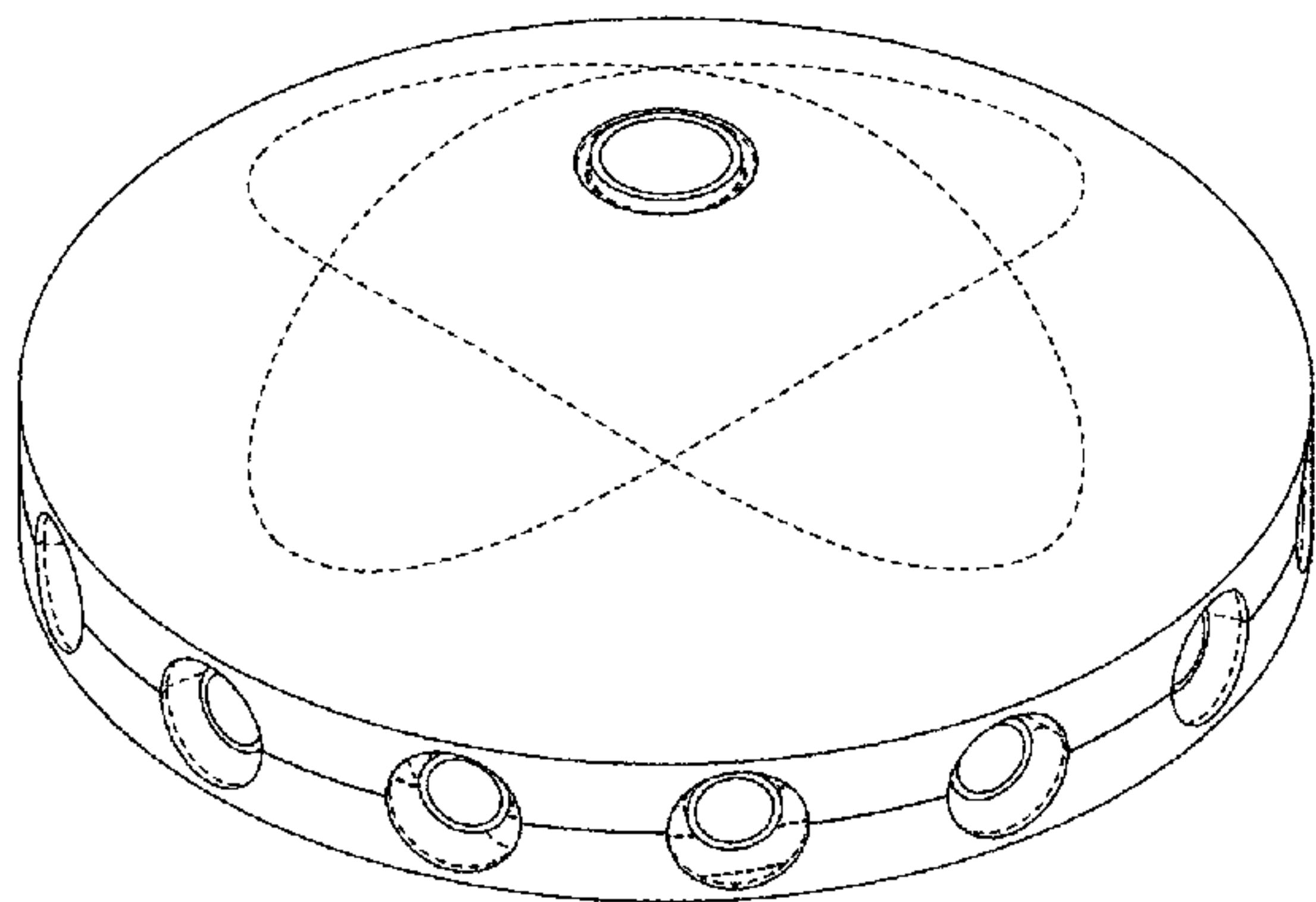
FIG. 4 is a second side view thereof.

FIG. 5 is top view thereof; and,

FIG. 6 is a bottom view thereof.

The broken lines represent portions of the panoramic virtual reality camera which form no part of the claimed design.

1 Claim, 6 Drawing Sheets



(56)

References Cited

U.S. PATENT DOCUMENTS

7,463,280	B2 *	12/2008	Steuart, III	G03B 35/08 348/36
7,834,910	B2	11/2010	DeLorme et al.	
D645,071	S *	9/2011	Hinkel	D16/203
D664,178	S *	7/2012	Hinkel	D16/203
D671,157	S *	11/2012	Richardson	D16/202
D700,232	S *	2/2014	Ramsay	D16/207
D733,208	S	6/2015	Tzarnotzky et al.	
D742,955	S *	11/2015	Kozko	D16/207
D745,076	S *	12/2015	Pfeil	D16/207
D768,751	S *	10/2016	Sarwari	D16/219
9,513,458	B1	12/2016	Flugge et al.	
D780,248	S	2/2017	Anari, III et al.	
9,575,394	B1	2/2017	Wallace	
D785,070	S *	4/2017	Mistry	D16/207
D798,930	S	10/2017	Macmillan et al.	
2005/0207487	A1	9/2005	Monroe	
2008/0298674	A1	12/2008	Baker et al.	
2009/0201413	A1	8/2009	Fishman	
2011/0249100	A1	10/2011	Jayaram et al.	
2014/0153916	A1	6/2014	Kintner	
2015/0138311	A1	5/2015	Towndrow	
2015/0346589	A1	12/2015	Dering et al.	
2016/0191815	A1	6/2016	Annau et al.	
2016/0212409	A1 *	7/2016	Cole	H04N 13/0022
2016/0352982	A1	12/2016	Weaver et al.	

OTHER PUBLICATIONS

GoPro Odyssey, six pages, [online] [retrieved Jun. 22, 2016], Retrieved from the internet <<https://gopro.com/odyssey>>.

Jump—Google VR, five pages, [online] [retrieved Jun. 22, 2016], Retrieved from the internet <<https://vr.google.com/jump/>>.

Lee, Nicole, “Samsung unveils Project Beyond, a 3D-capturing camera for Gear VR,” *engadget*, Nov. 12, 2014, two pages, [online] [retrieved Jun. 22, 2016], Retrieved from the internet <<https://www.engadget.com/2014/11/12/samsung-project-beyond/>>.

Lytro Immerge, six pages, [online] [retrieved Jun. 22, 2016], Retrieved from the internet <<https://www.lytro.com/immerge#immergeDetails>>.

Nokia OZO: Virtual Reality Camera with 360degree audio and video capture, six pages, [online] [retrieved Jun. 22, 2016], Retrieved from the internet <<https://ozo.nokia.com/>>.

Technology—Jaunt, four pages, [online] [retrieved Jun. 22, 2016], Retrieved from the internet <<https://www.jauntvr.com/technology/>>.

Brown, E., “Facebook open sources a 17-camera 3D-360 video capture system,” *Linuxgizmos.com*, four pages. Jul. 30, 2016. [Online], [Retrieved Jul. 7, 2017] Retrieved from the Internet URL:<<http://linuxgizmos.com/facebook-open-sources-a-3d-360-video-capture-system/>>.

Cohen, D., “F8 2016: Facebook Surround 360 3-D 360-Degree Camera System,” *Adweek.com*, Apr. 12, 2016, eight pages.[online], [site visited Jul. 7, 2017] Retrieved from the Internet URL:<<http://www.adweek.com/digital/f8-2016-facebook-surround-360/>>.

Facebook, Inc., “A durable and high quality 3D-360 camera system now available on GitHub,” Apr. 2016, six pages. [Online] [Retrieved Jul. 7, 2017] Retrieved from the Internet URL:<<https://web.archive.org/web/20160802133245/https://facebook360.fb.com/facebook-surround-360/>>.

Gimme, “How to take a 360 degree photo on Facebook to rotate the atmosphere around us,” *droidsans.com*, Jun. 12, 2016, thirteen pages. [Online], [Retrieved Jul. 7, 2017] Retrieved from the Internet URL:<<https://droidsans.com/how-to-take-facebook-360photo/>>.

Newton, C., “This is Facebook’s gorgeous, open-source 350-degree video camera,” *The Verge*, Apr. 12, 2016, five pages. [Online] [Retrieved Jul. 7, 2017] Retrieved from the Internet URL:<<https://www.theverge.com/2016/4/12/11395898/facebook-surround-360-video-camera-vr-f8-conference>>.

Facebook 360-degree video camera, announced Apr. 12, 2016 [on line], [site visited Jul. 7, 2017] Available from Internet URL: <<https://www.theverge.com/2016/4/12/11395898/facebook-surround-360-video-camera-vr-f8-conference>>.

Facebook 360 Surround Camera, announced Apr. 12, 2016 [on line], [site visited Oct. 26, 2016], Available from Internet URL: <<https://www.youtube.com/watch?v=H Eua6dQrg0g>> at approximately 2:15. Surround 360 VR Camera, announced Apr. 12, 2016 [on line], [site visited Oct. 26, 2016], Available from Internet URL: <<https://www.youtube.com/watch?v=zwrsgQpHJWI>> at approximately 7:45.

* cited by examiner

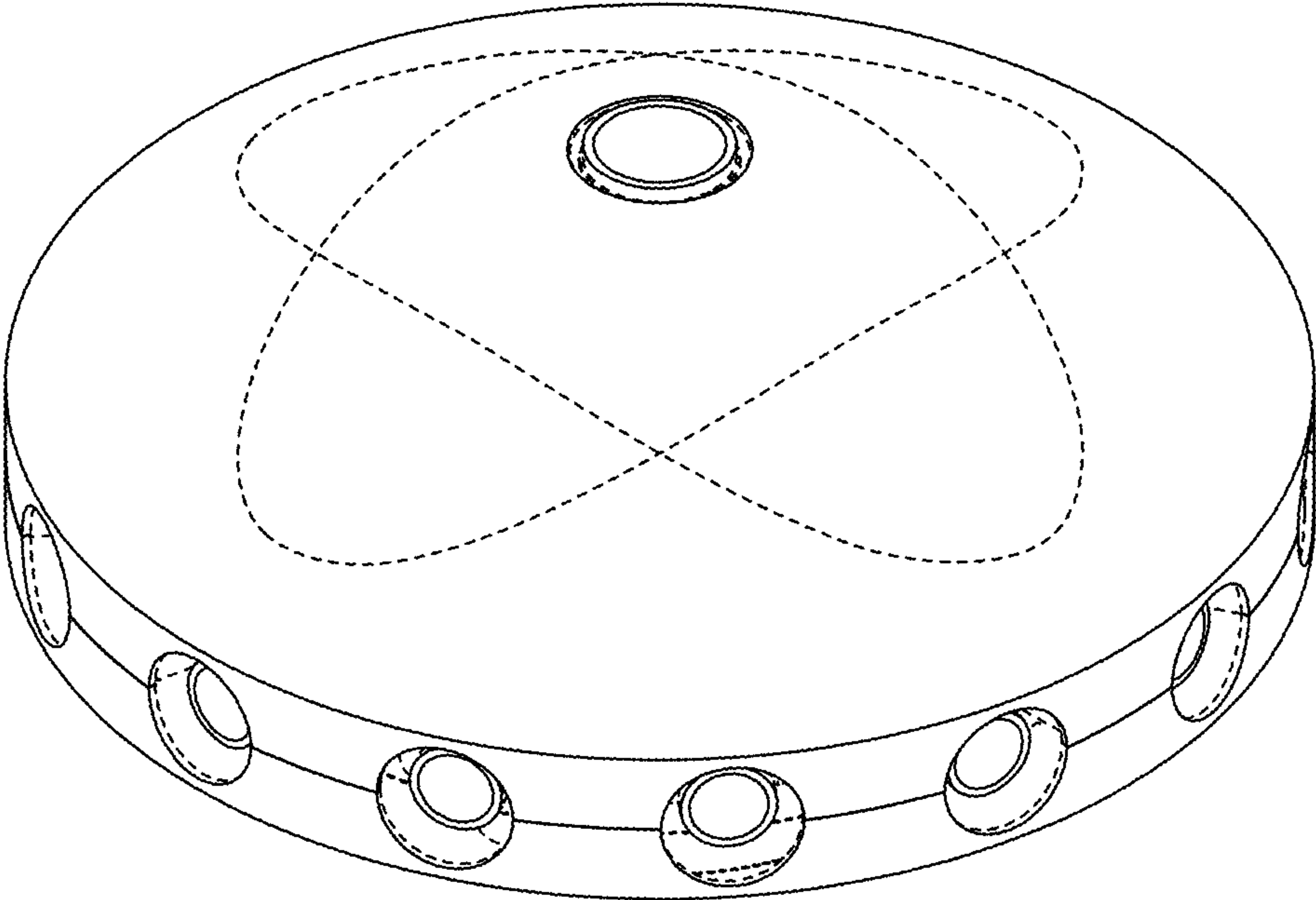


FIG. 1

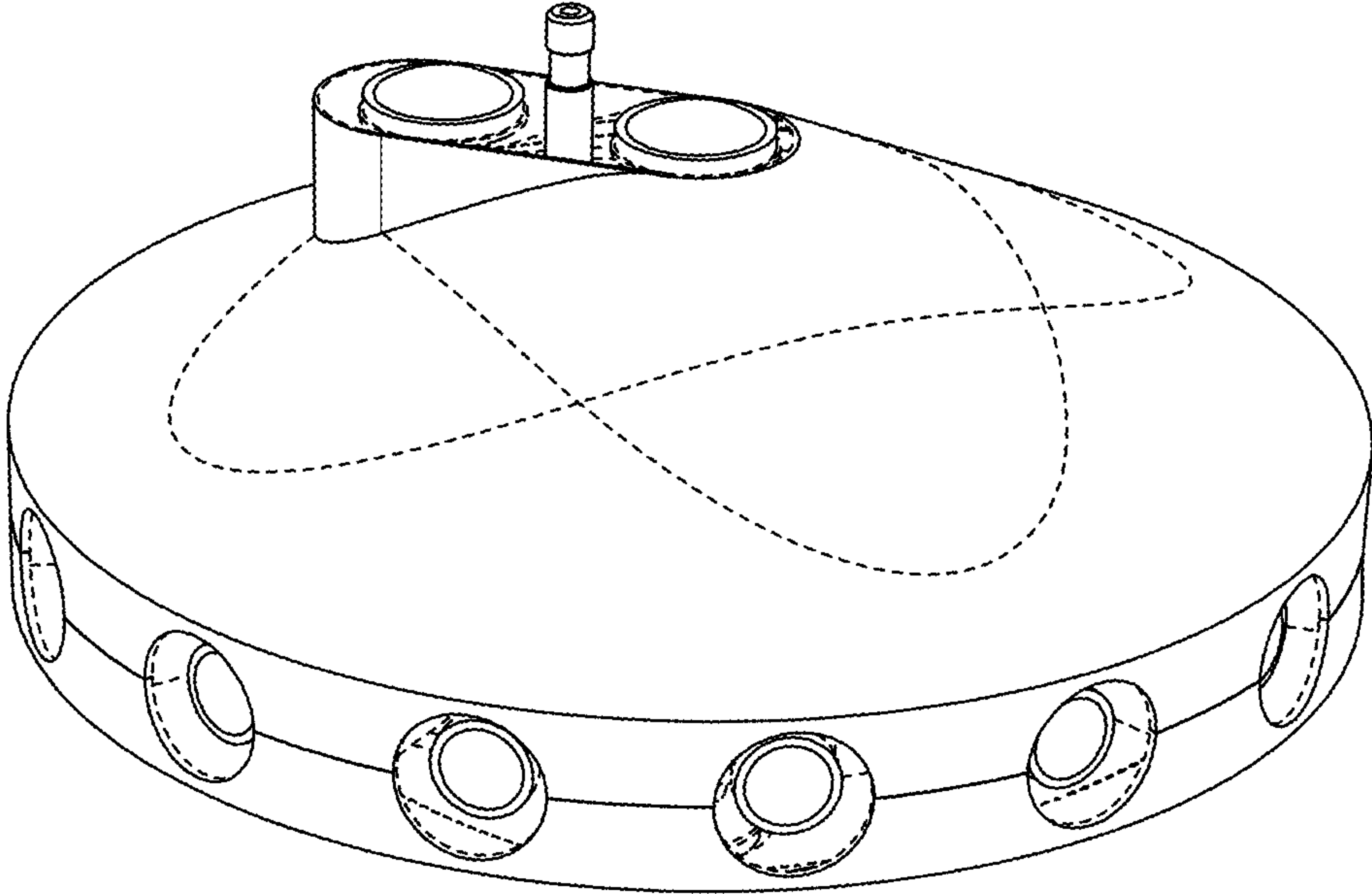


FIG. 2

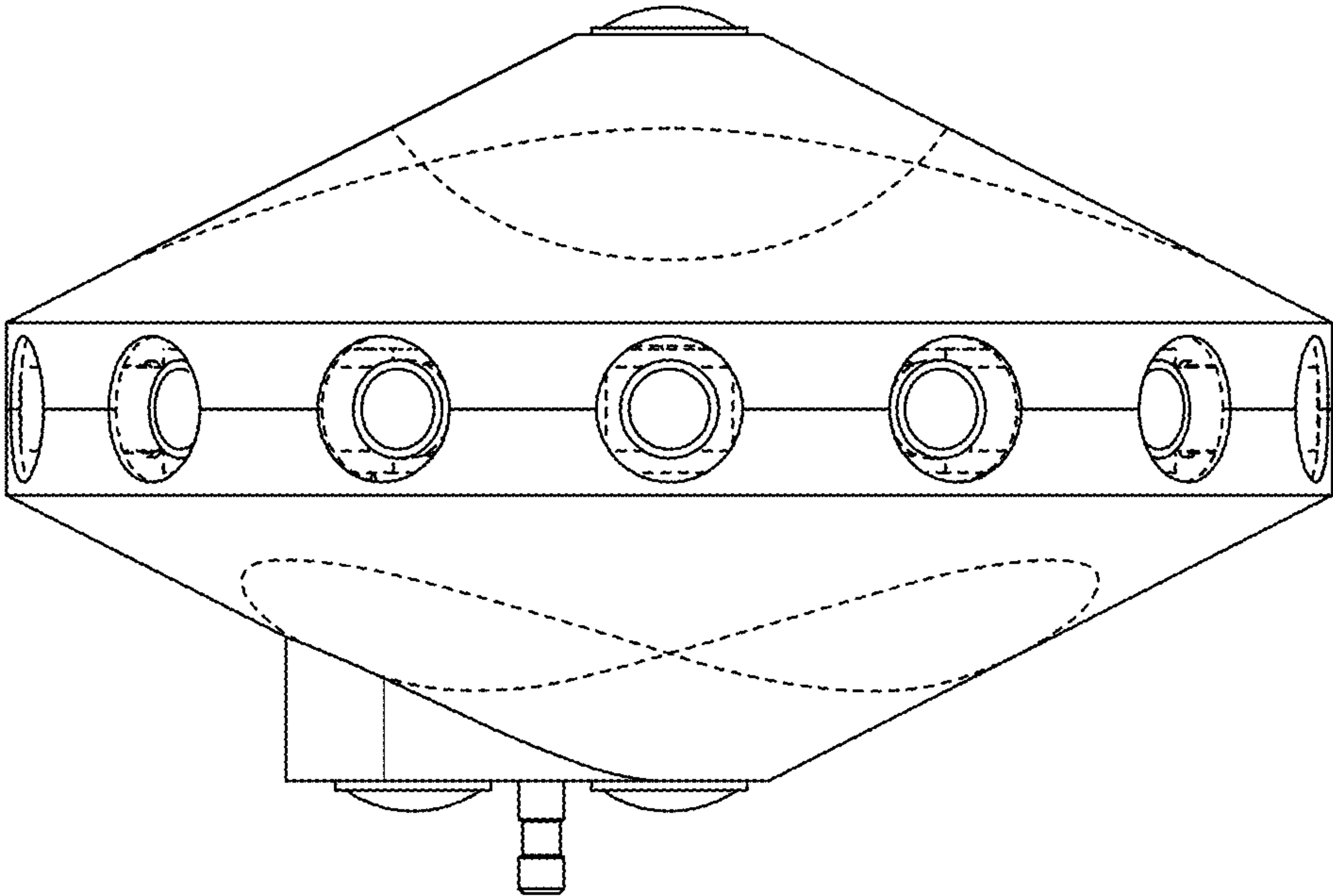


FIG. 3

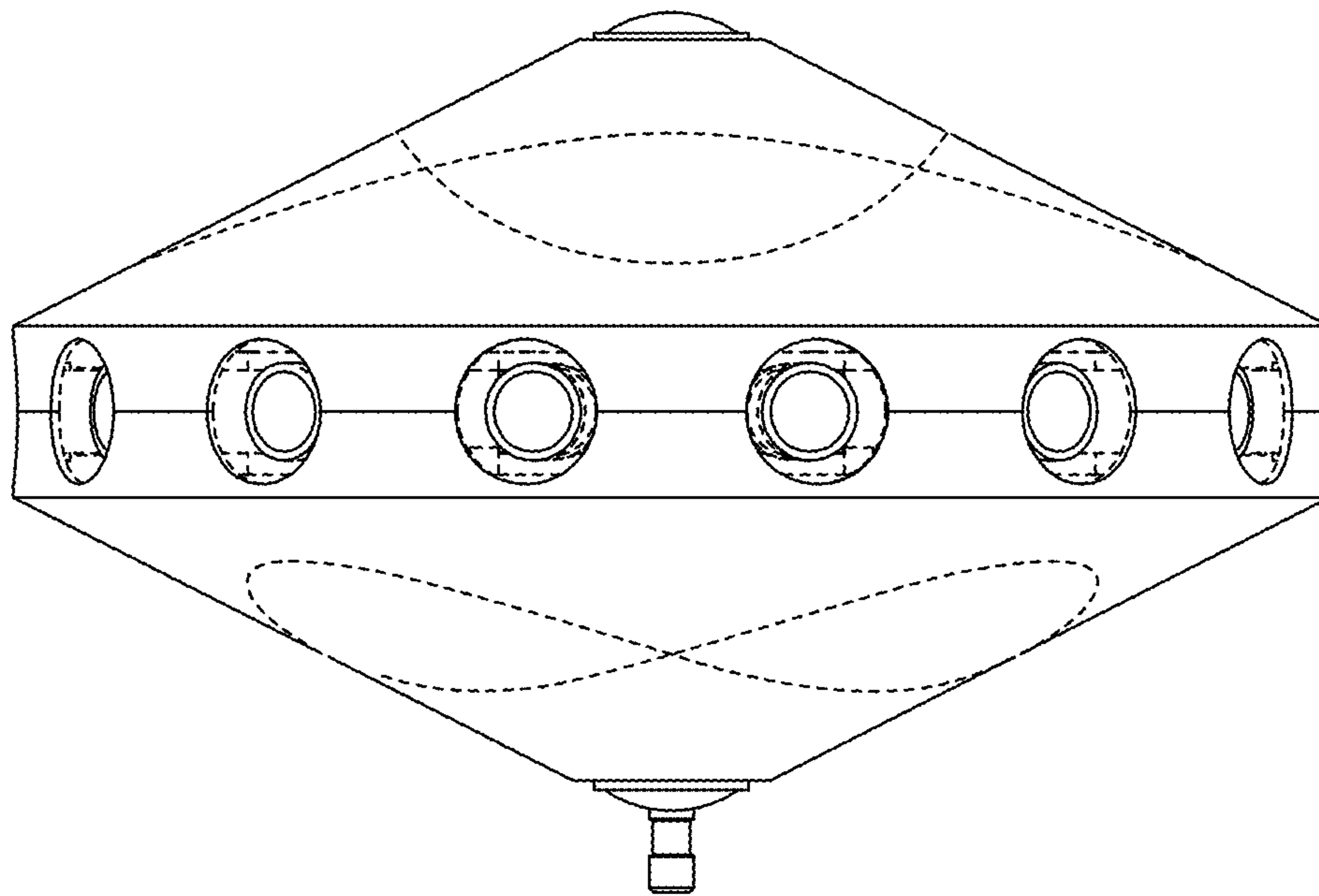


FIG. 4

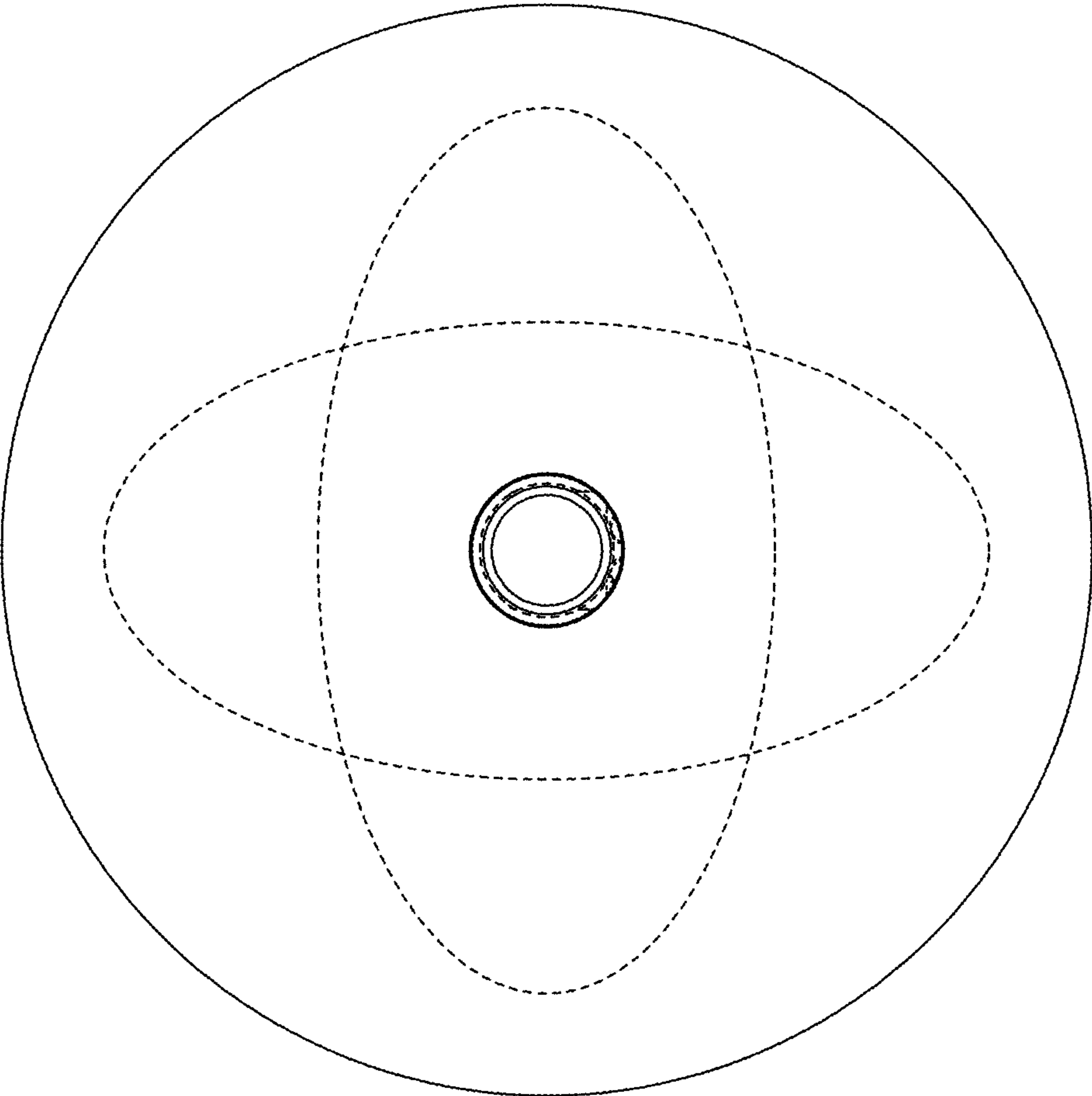


FIG. 5

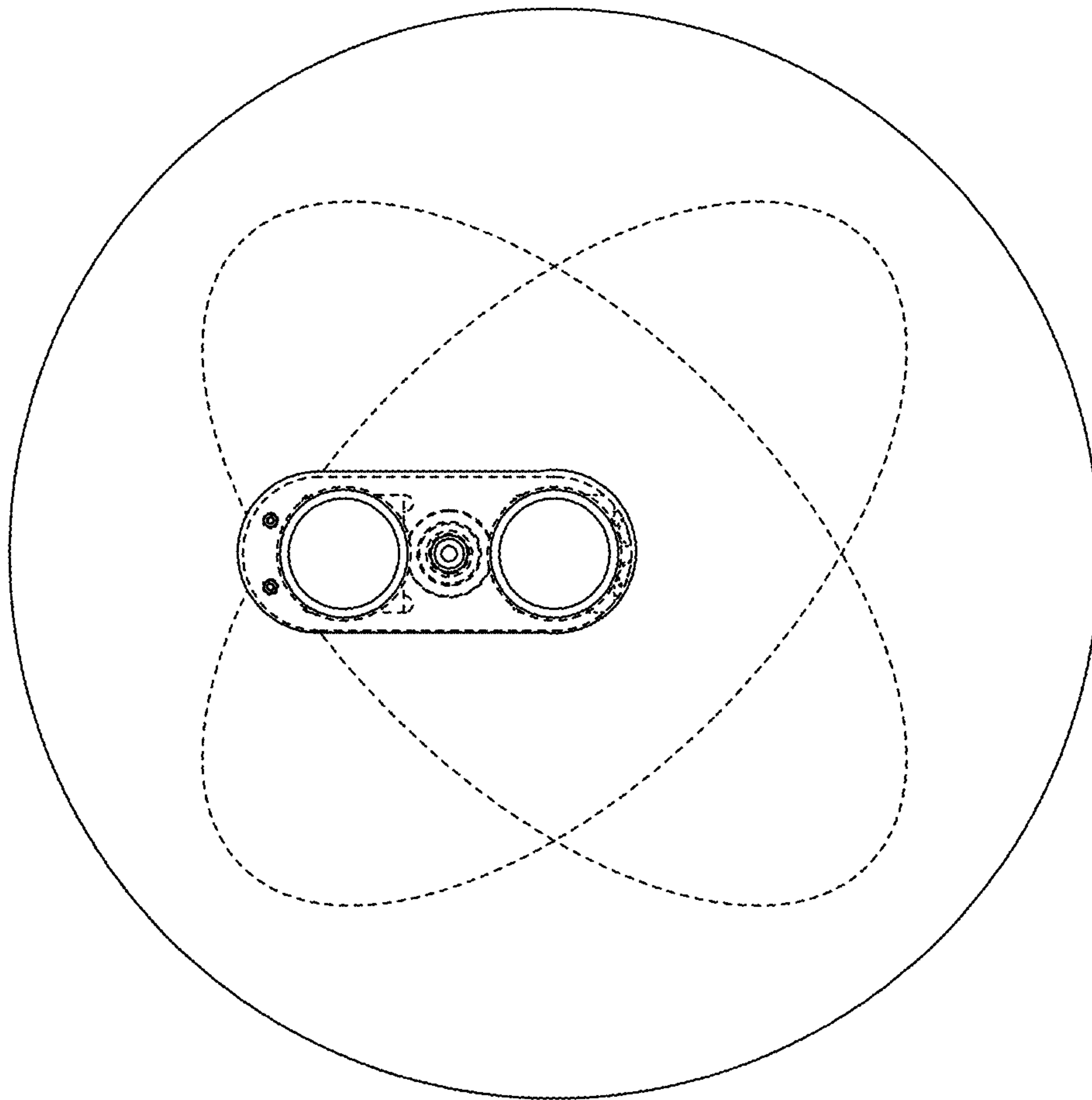


FIG. 6