

US00D830443S

(12) **United States Design Patent**
Borel et al.

(10) **Patent No.:** **US D830,443 S**

(45) **Date of Patent:** **** Oct. 9, 2018**

(54) **CAMERA**

(71) Applicant: **Logitech Europe S.A.**, Lausanne (CH)

(72) Inventors: **Vincent Borel**, Menlo Park, CA (US);
Giuseppe Russo, Redwood City, CA (US);
David Brian Seal, Chicago, IL (US);
Stephen Michael Christopher, Seattle, WA (US);
Changhsuan Pai, Chicago, IL (US)

(73) Assignee: **Logitech Europe S.A.**, Lausanne (CH)

(**) Term: **15 Years**

(21) Appl. No.: **29/633,328**

(22) Filed: **Jan. 12, 2018**

Related U.S. Application Data

(63) Continuation of application No. 29/522,709, filed on Apr. 1, 2015, now Pat. No. Des. 810,804.

(51) **LOC (11) Cl.** **16-01**

(52) **U.S. Cl.**
USPC **D16/203**

(58) **Field of Classification Search**
USPC D16/200, 202–206, 208–209, 218, 219;
348/373–376; 396/535, 539–541
CPC G03B 15/03; G03B 17/02; G03B 17/04;
G03B 17/56; G03B 19/04; H04N 5/2251;
H04N 5/2252; H04N 5/2253; H04N
5/2254; H04N 2101/00
See application file for complete search history.

(56) **References Cited**

U.S. PATENT DOCUMENTS

D433,432 S * 11/2000 Prather D16/202
D516,105 S * 2/2006 Bradley D16/202
D552,649 S * 10/2007 Logan D16/200
D554,682 S * 11/2007 Martinez D16/203

7,724,302 B2 * 5/2010 Yu H04N 1/00519
348/373
D626,580 S * 11/2010 Tzeng D16/202
D628,223 S * 11/2010 Kao D16/202
D678,929 S * 3/2013 Hancock D16/202
D705,844 S * 5/2014 Bart D16/203

(Continued)

Primary Examiner — Philip S Hyder

Assistant Examiner — Ramzi S Almatrahi

(74) *Attorney, Agent, or Firm* — Kilpatrick Townsend & Stockton LLP

(57) **CLAIM**

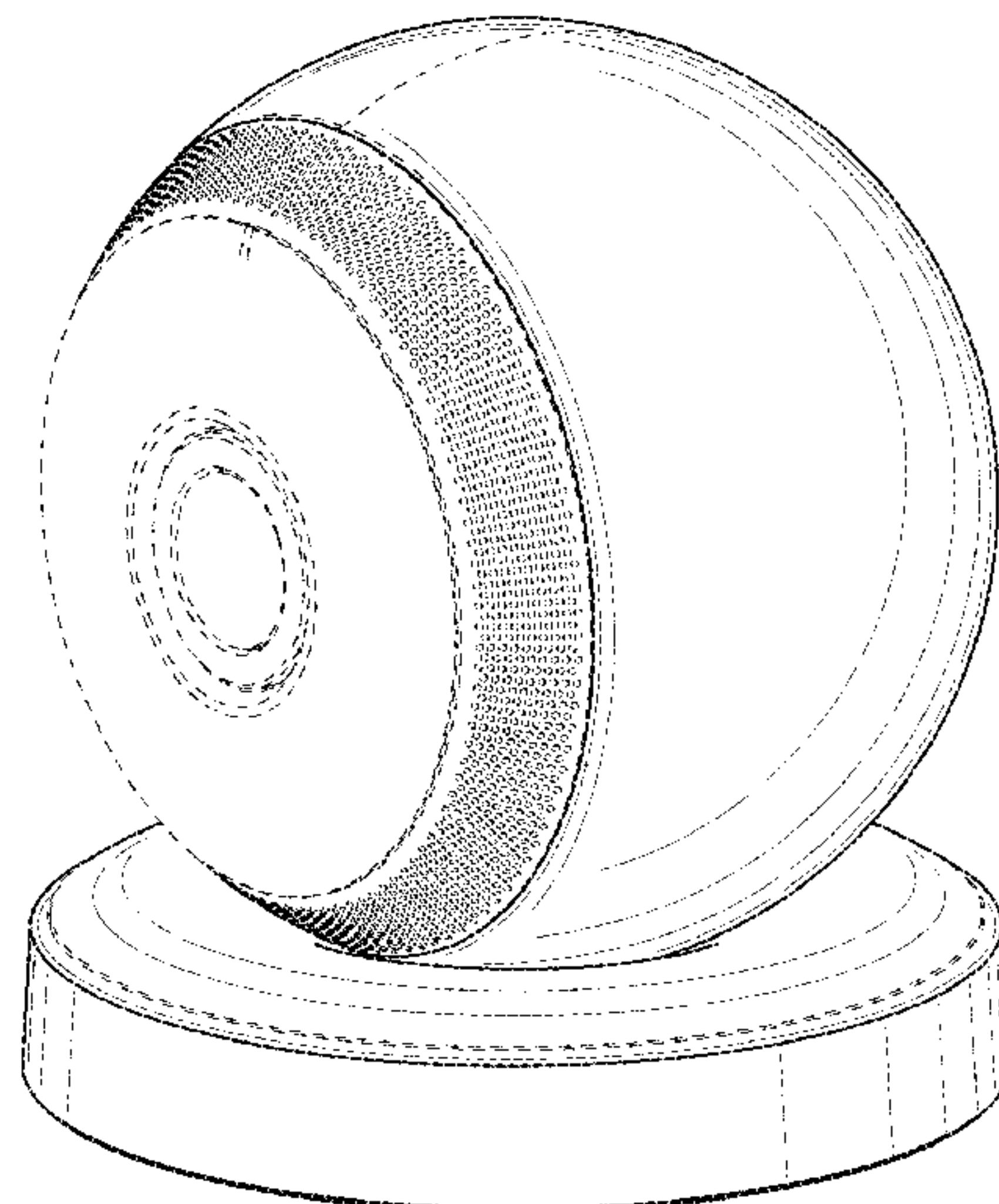
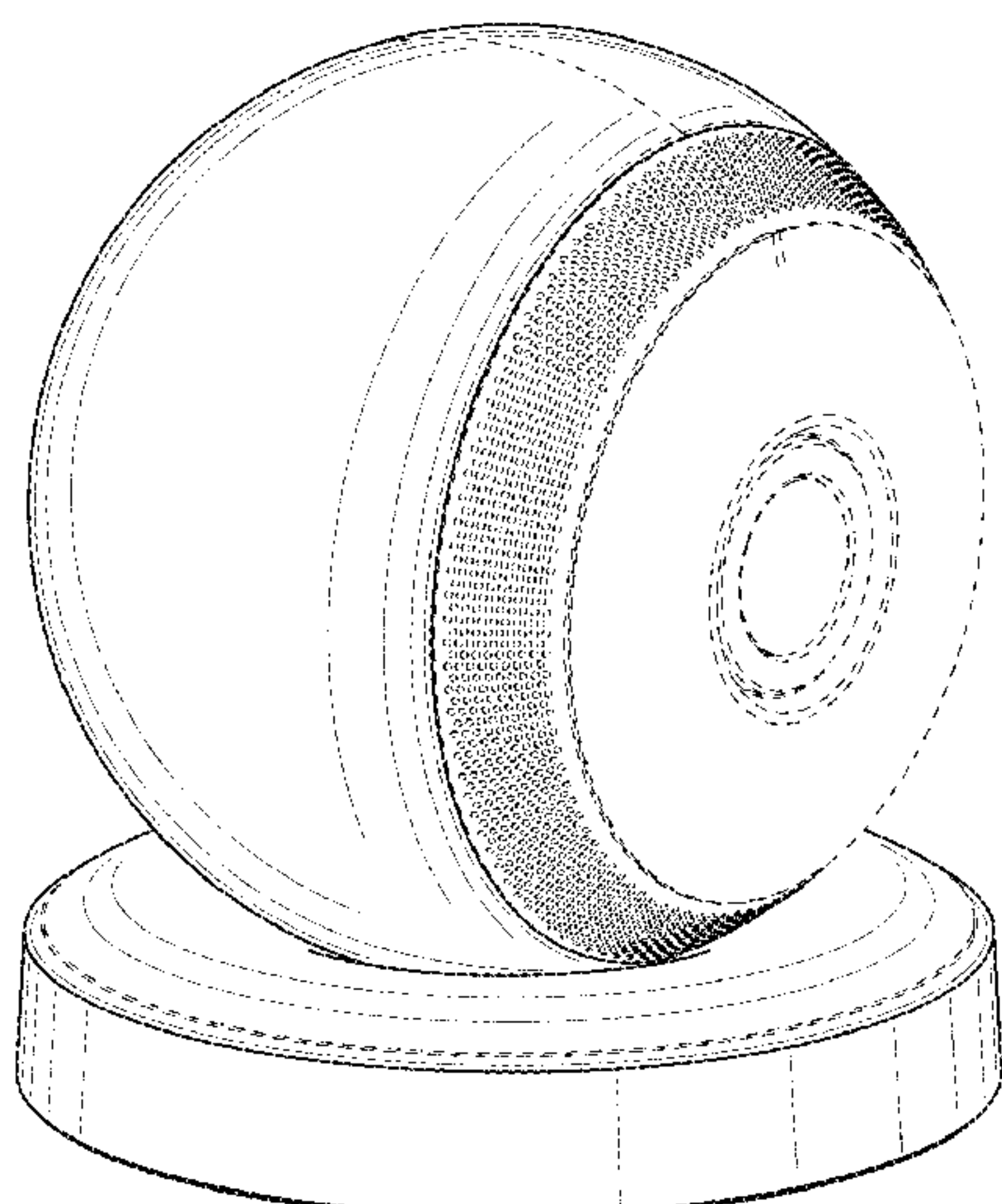
The ornamental design for a camera, as shown and described.

DESCRIPTION

FIG. 1 is a top, front and left side perspective view of a first embodiment of a camera showing our new design; FIG. 2 is a top, front and right side perspective view thereof; FIG. 3 is a top plan view thereof; FIG. 4 is a bottom plan view thereof; FIG. 5 is a front elevational view thereof; FIG. 6 is a rear elevational view thereof; FIG. 7 is a left side elevational view thereof; and FIG. 8 is a right side elevational view thereof. FIG. 9 is a top, front and left side perspective view of a second embodiment of a camera showing our new design; FIG. 10 is a top, front and right side perspective view thereof; FIG. 11 is a top plan view thereof; FIG. 12 is a bottom plan view thereof; FIG. 13 is a front elevational view thereof; FIG. 14 is a rear elevational view thereof; FIG. 15 is a left side elevational view thereof; and, FIG. 16 is a right side elevational view thereof.

The broken lines depict portions of the camera in which the design is embodied that form no part of the claimed design.

1 Claim, 16 Drawing Sheets



(56)

References Cited

U.S. PATENT DOCUMENTS

D719,202 S	*	12/2014	Lee	D16/202
D731,579 S	*	6/2015	Bart	D16/203
D741,931 S	*	10/2015	Huang	D16/202
2005/0247845 A1	*	11/2005	Li	F16M 11/14 248/346.5

* cited by examiner

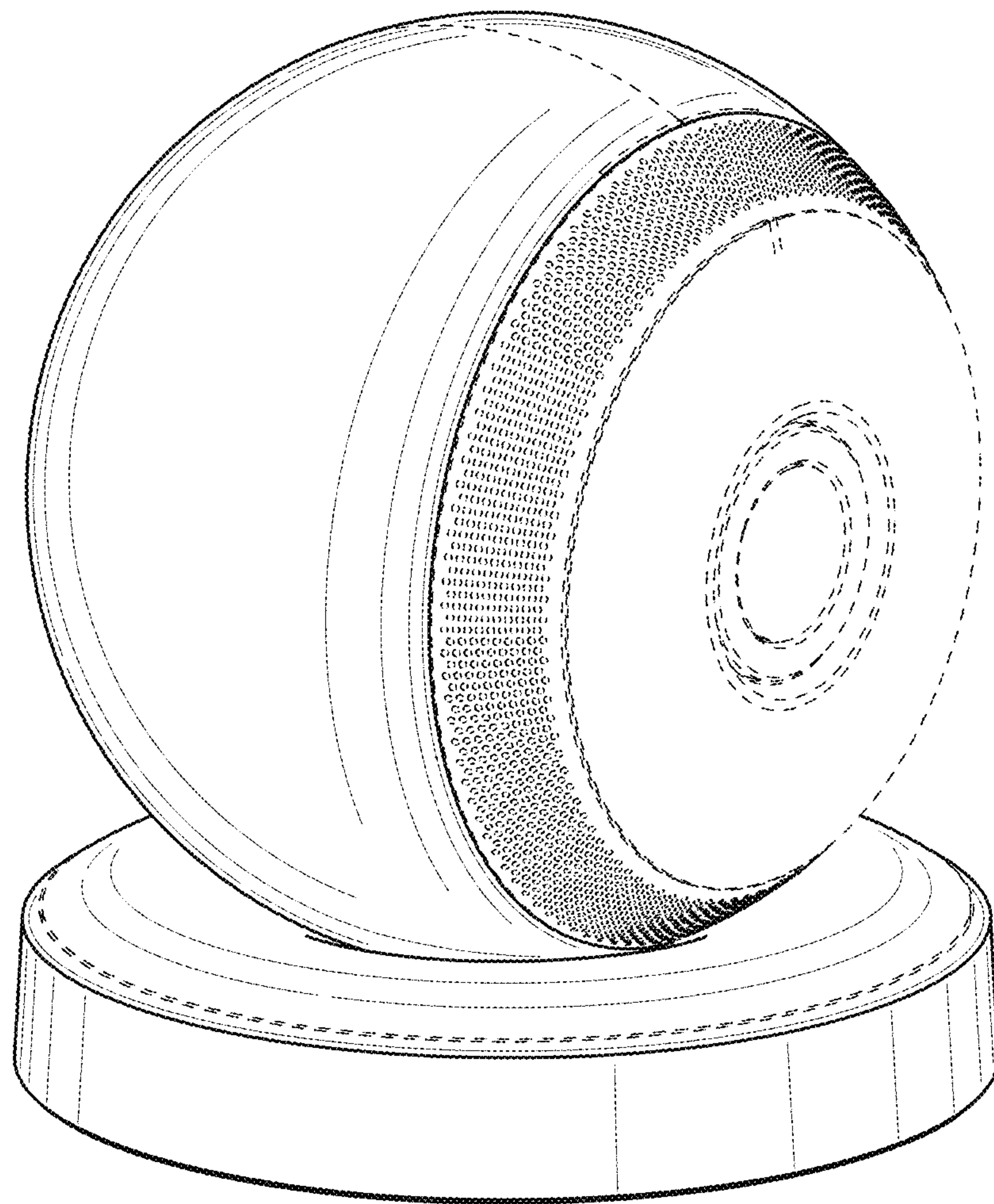


FIG. 1

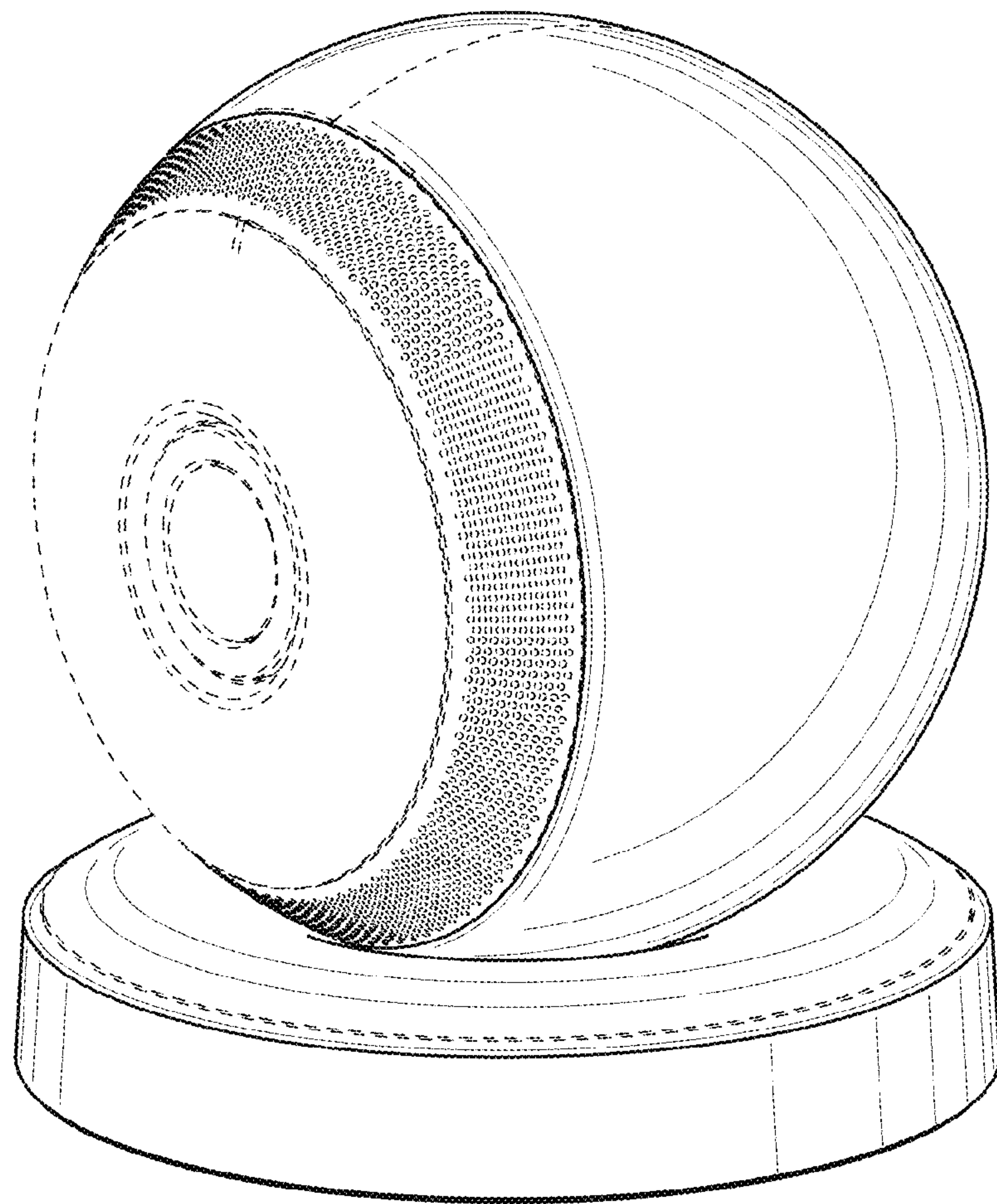


FIG. 2

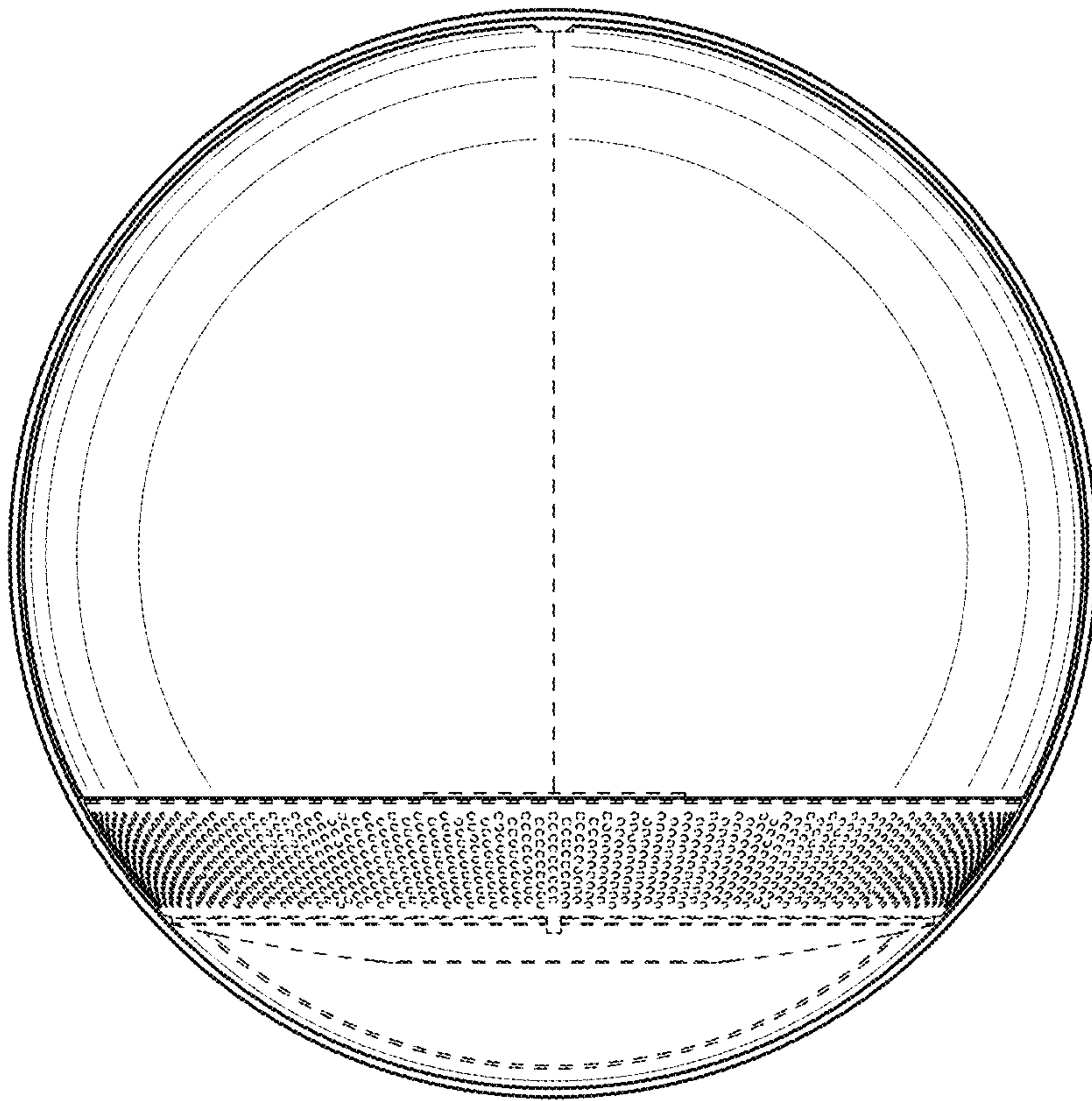


FIG. 3

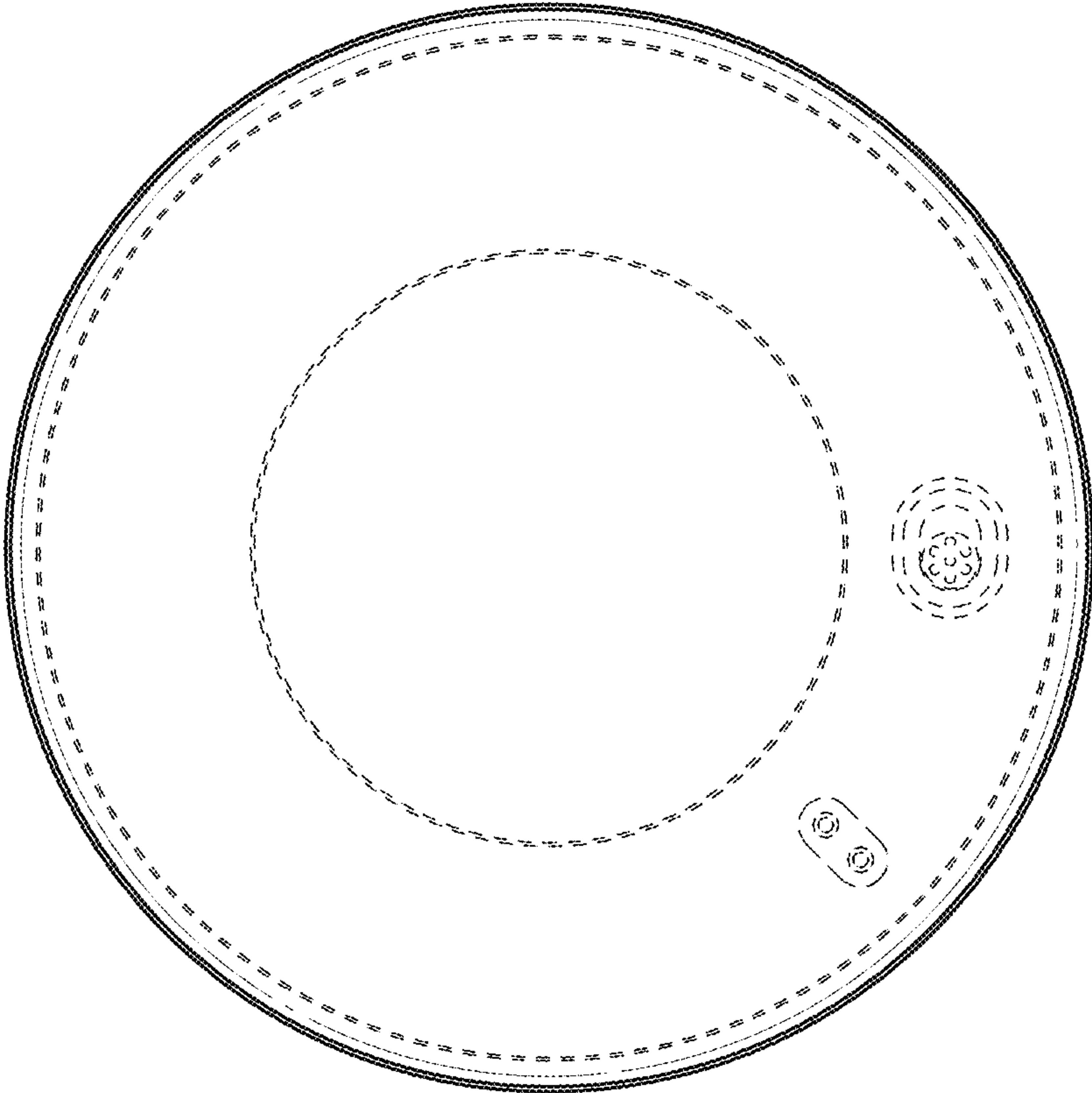


FIG. 4

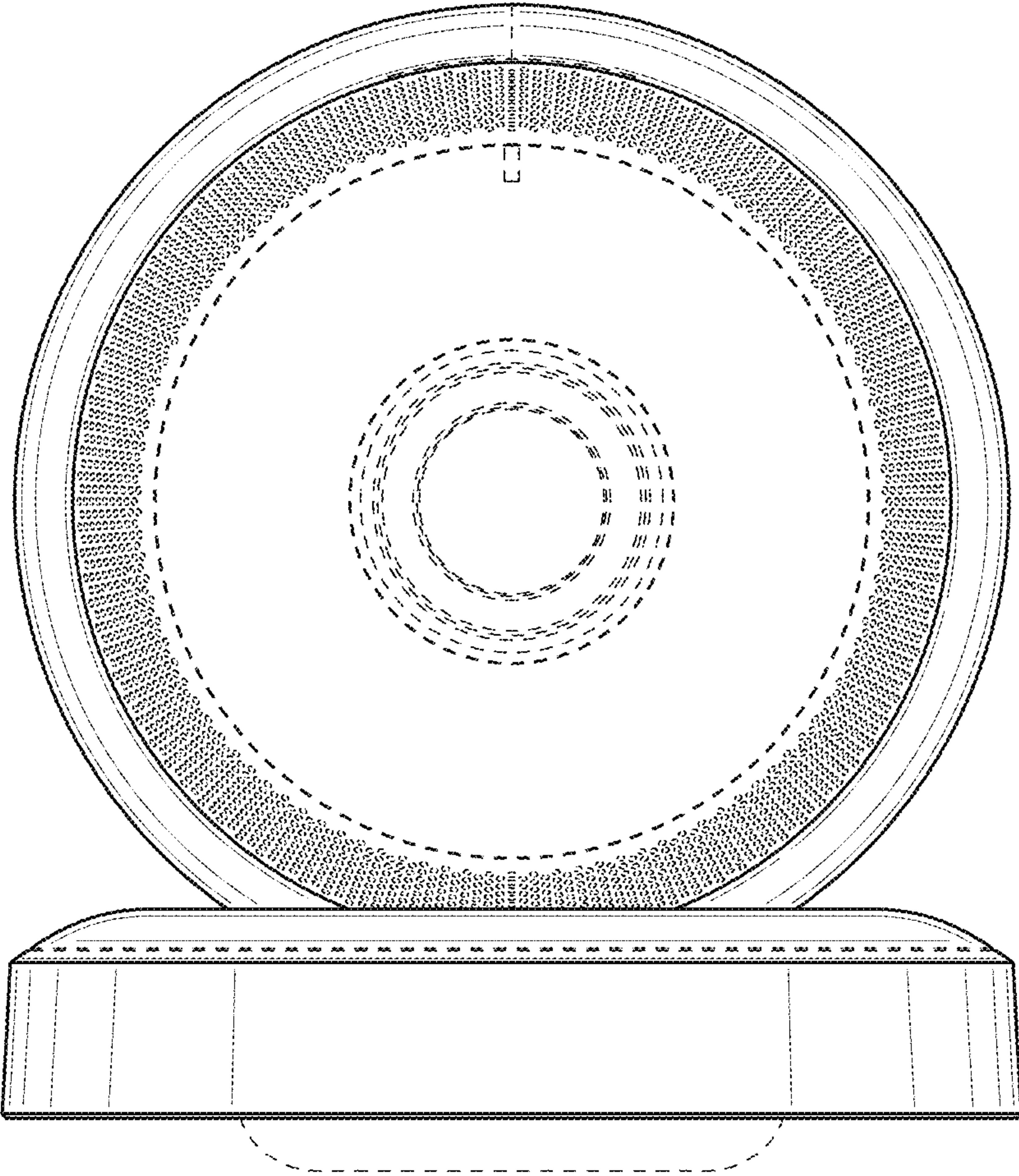


FIG. 5

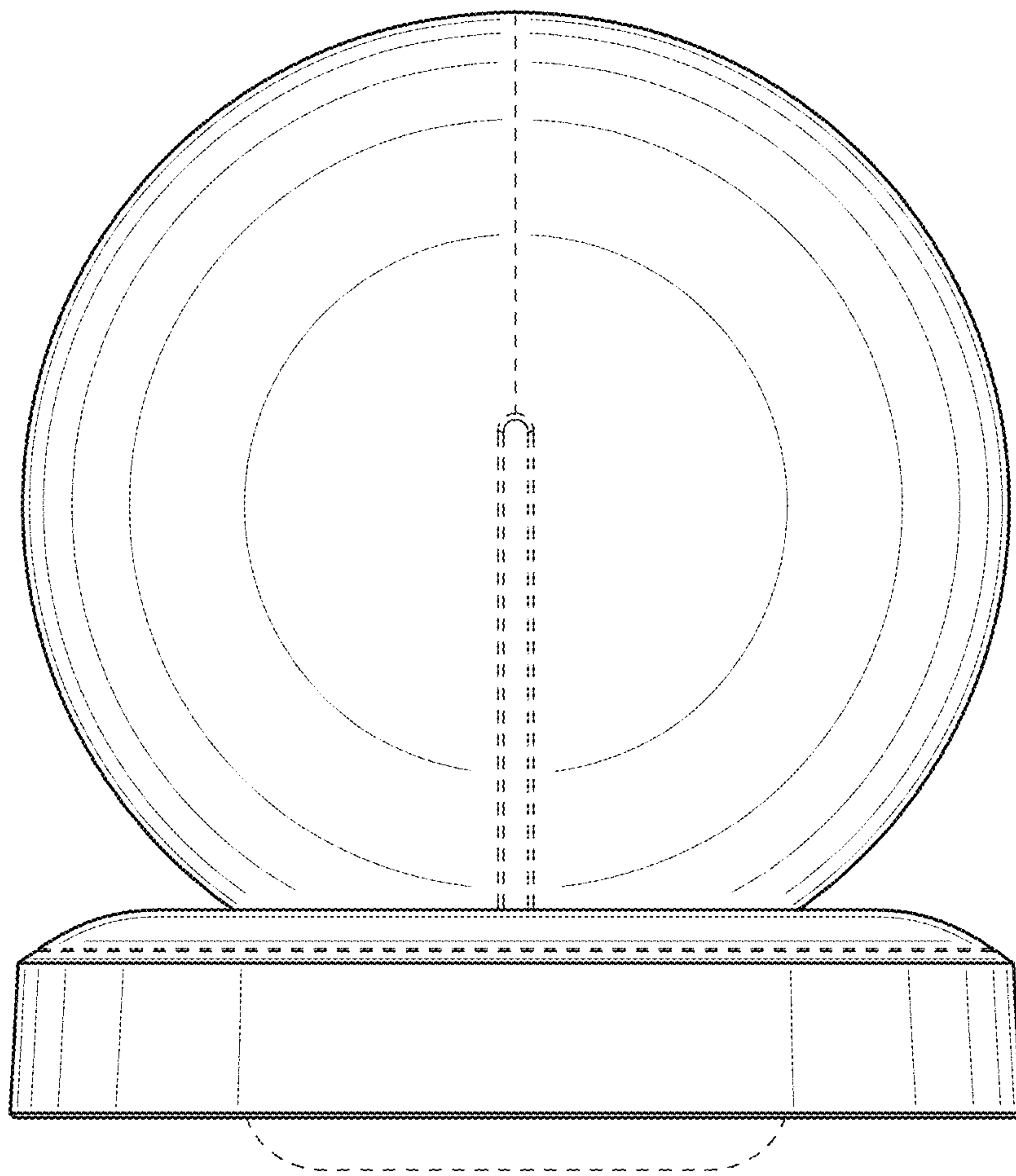


FIG. 6

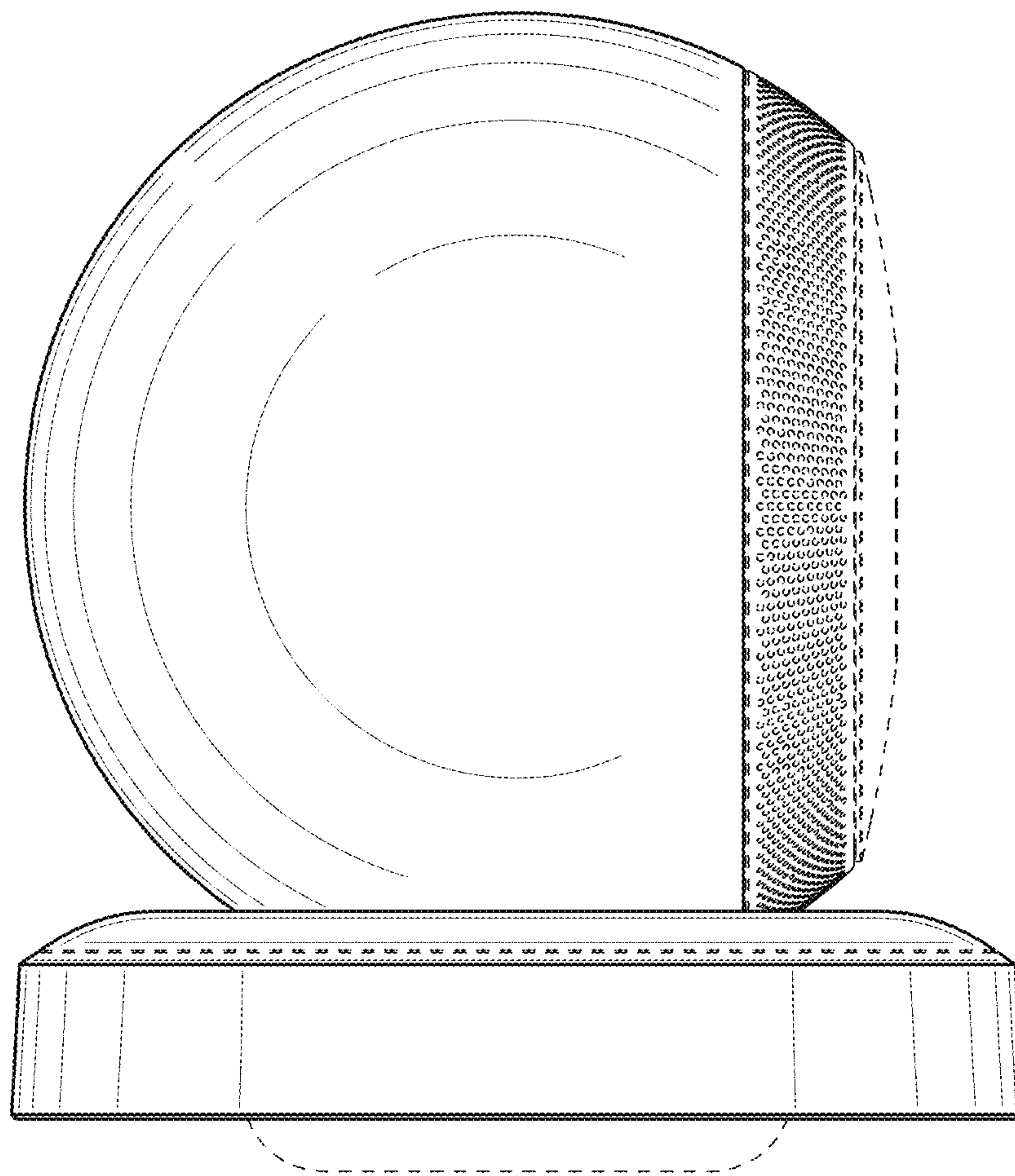


FIG. 7

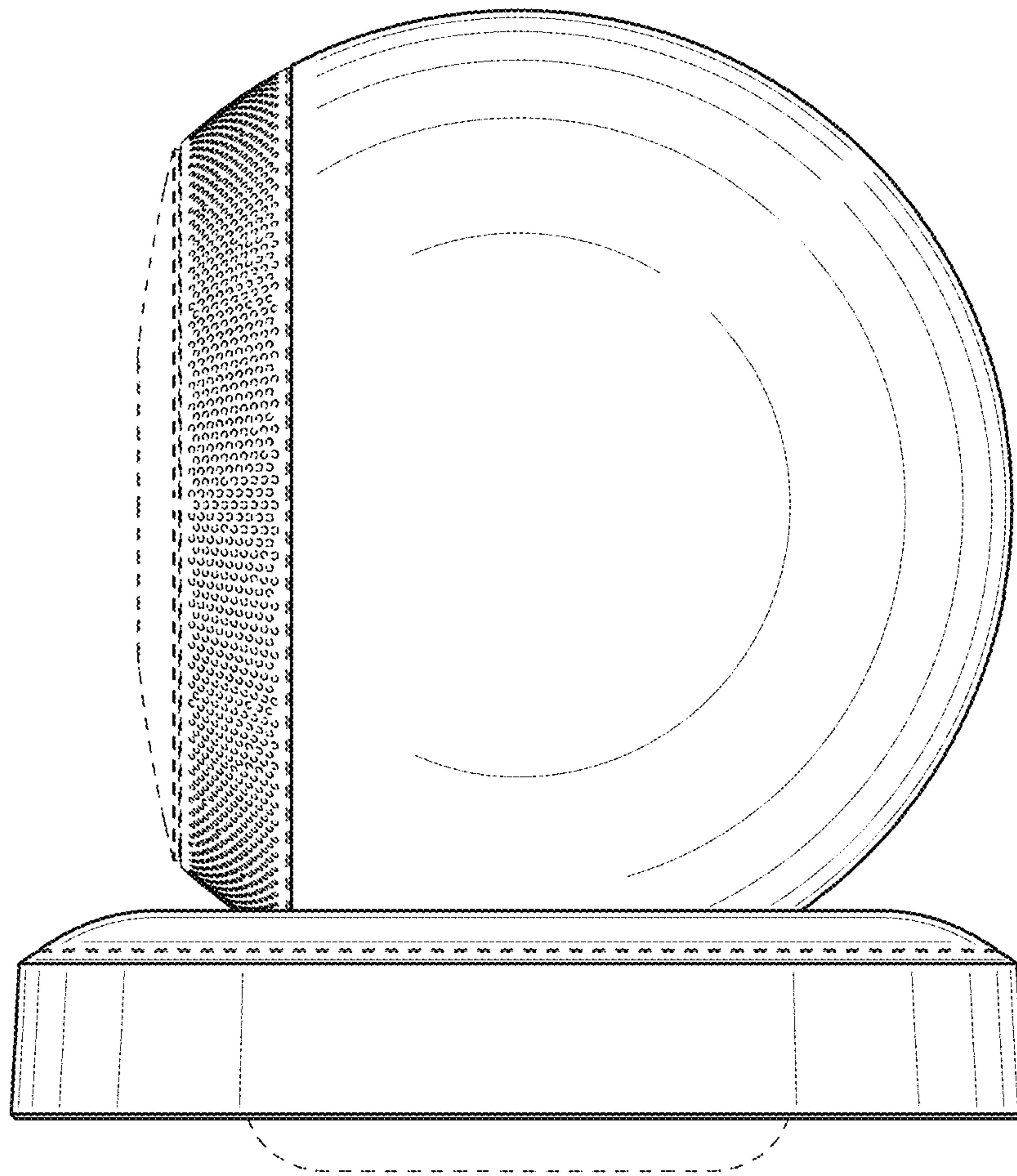


FIG. 8

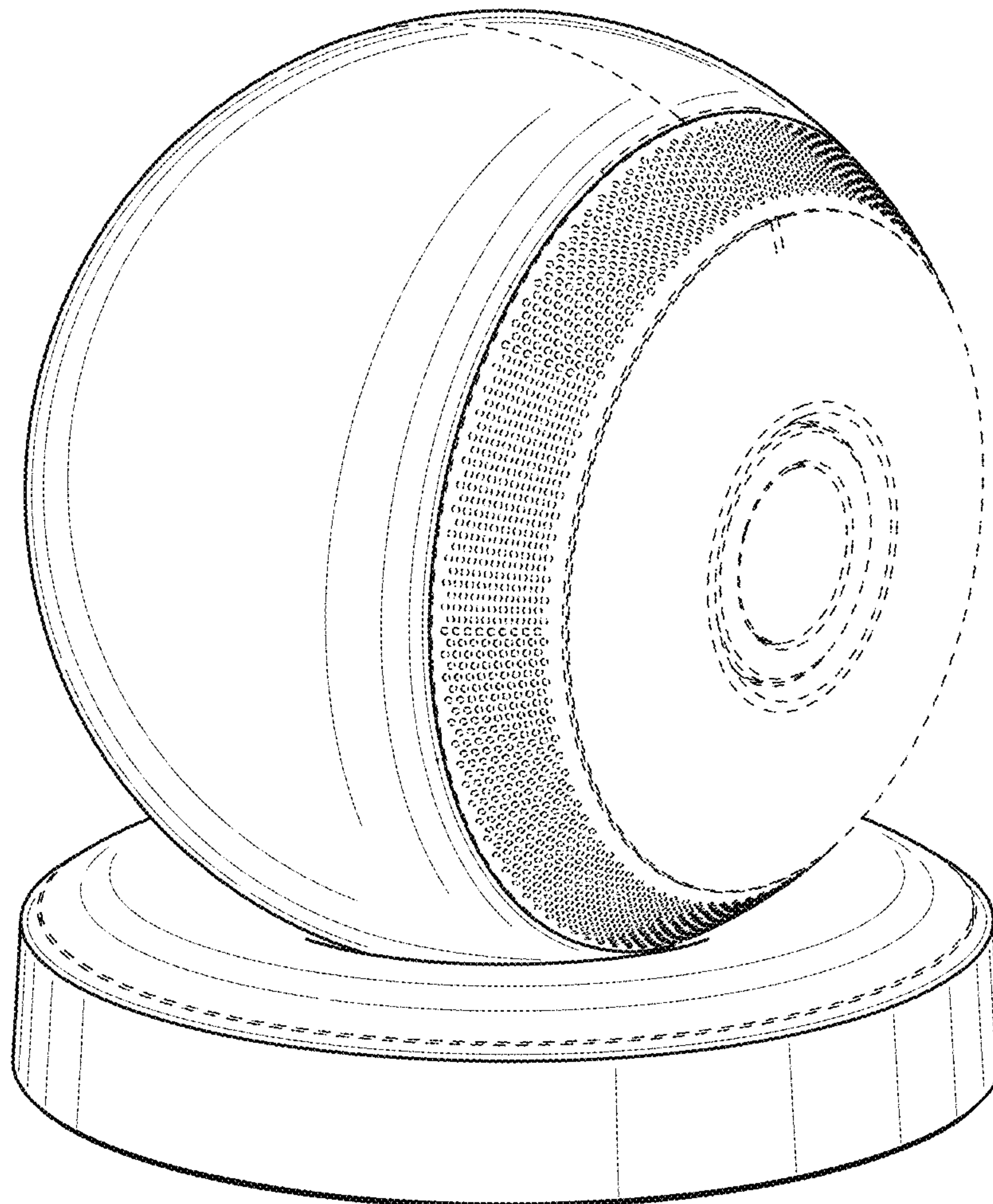


FIG. 9

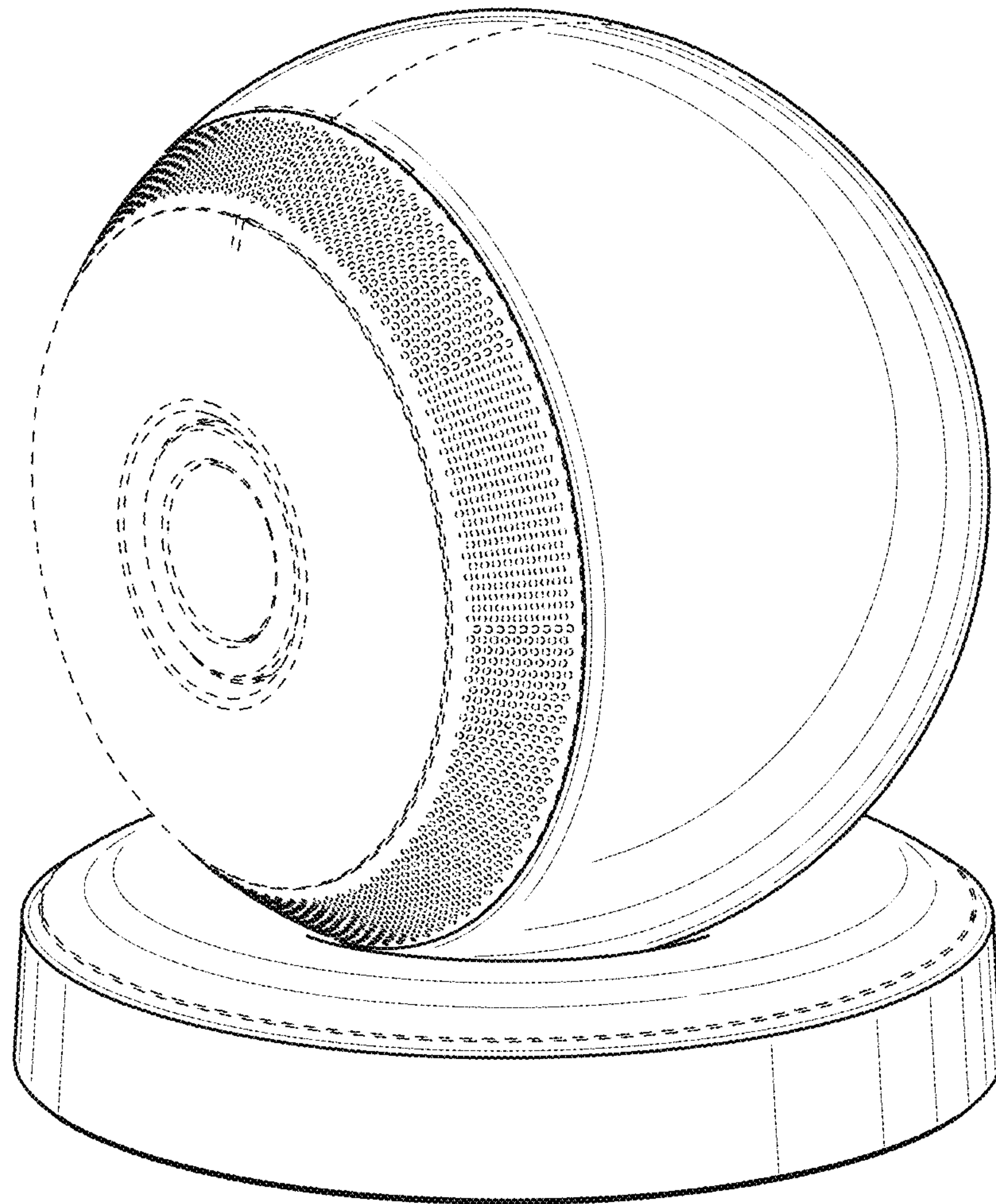


FIG. 10

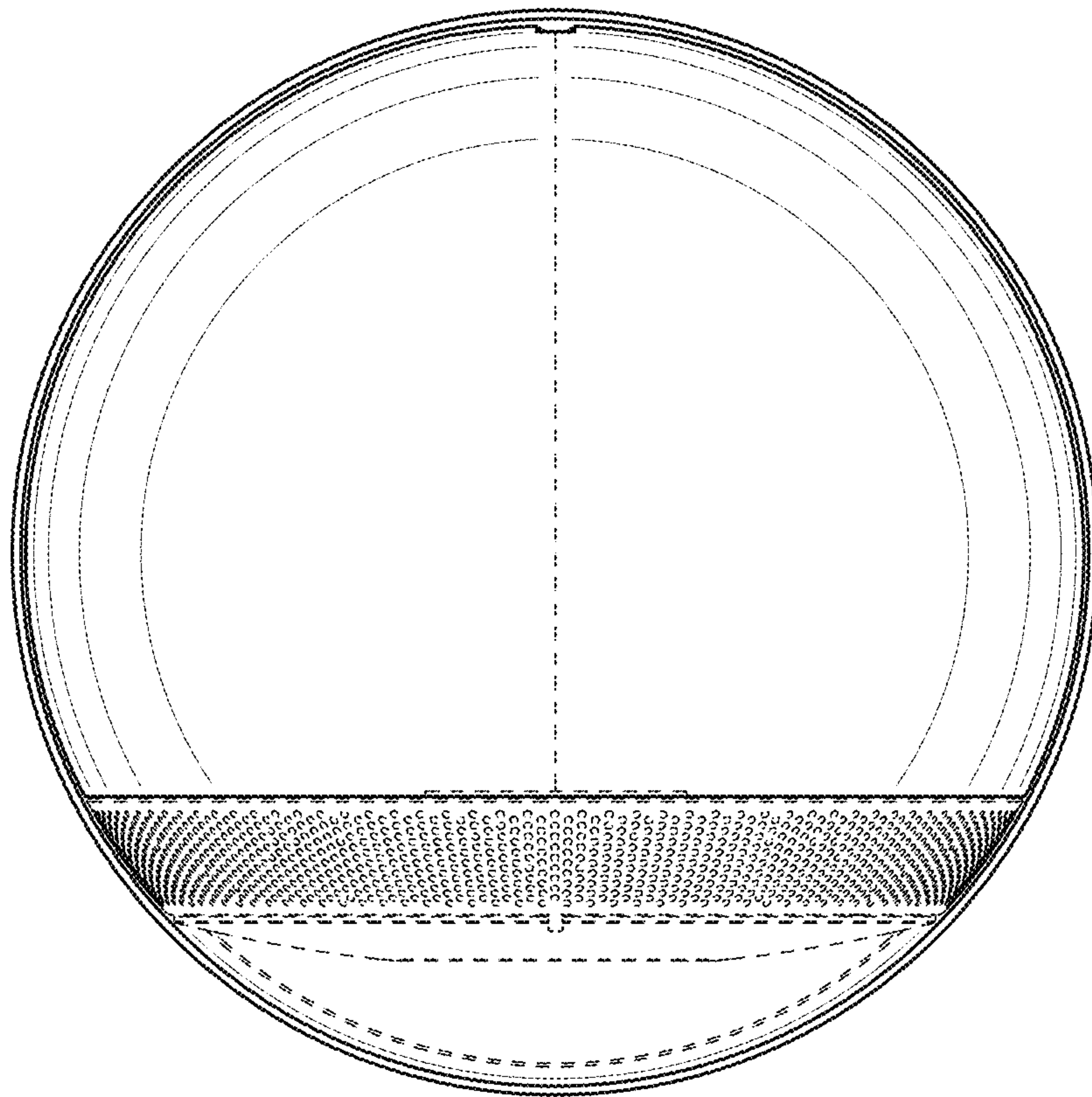


FIG. 11

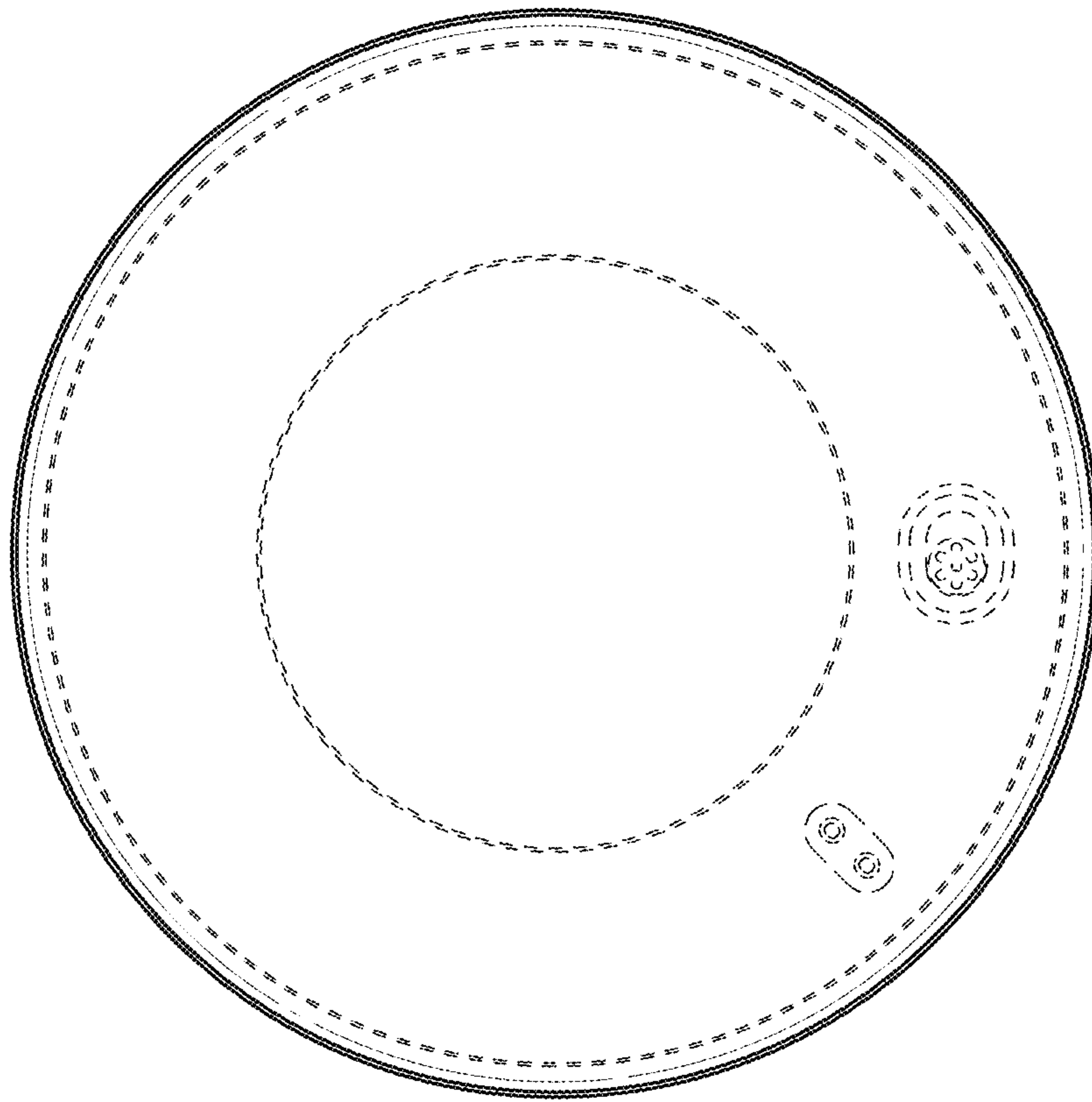


FIG. 12

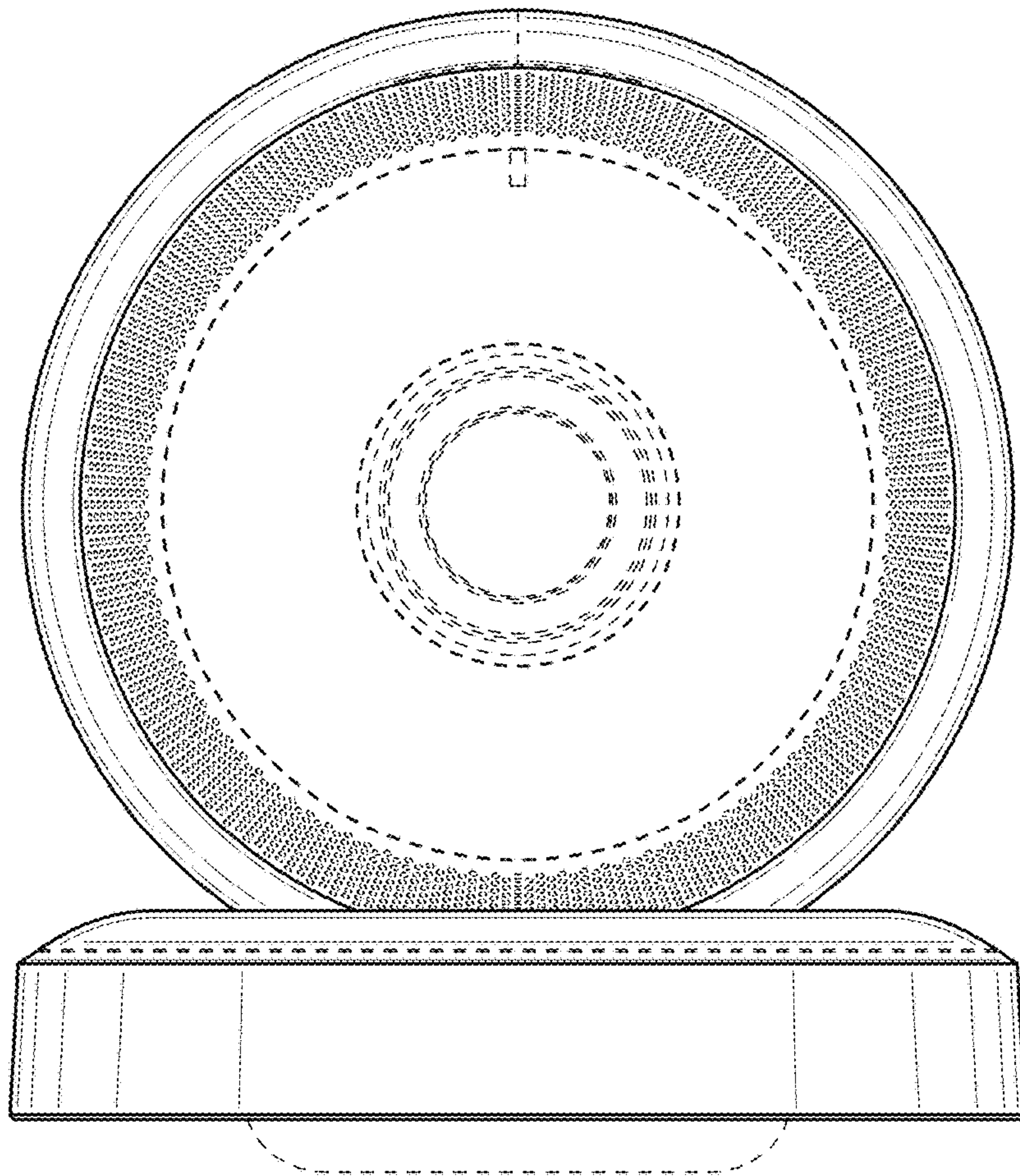


FIG. 13

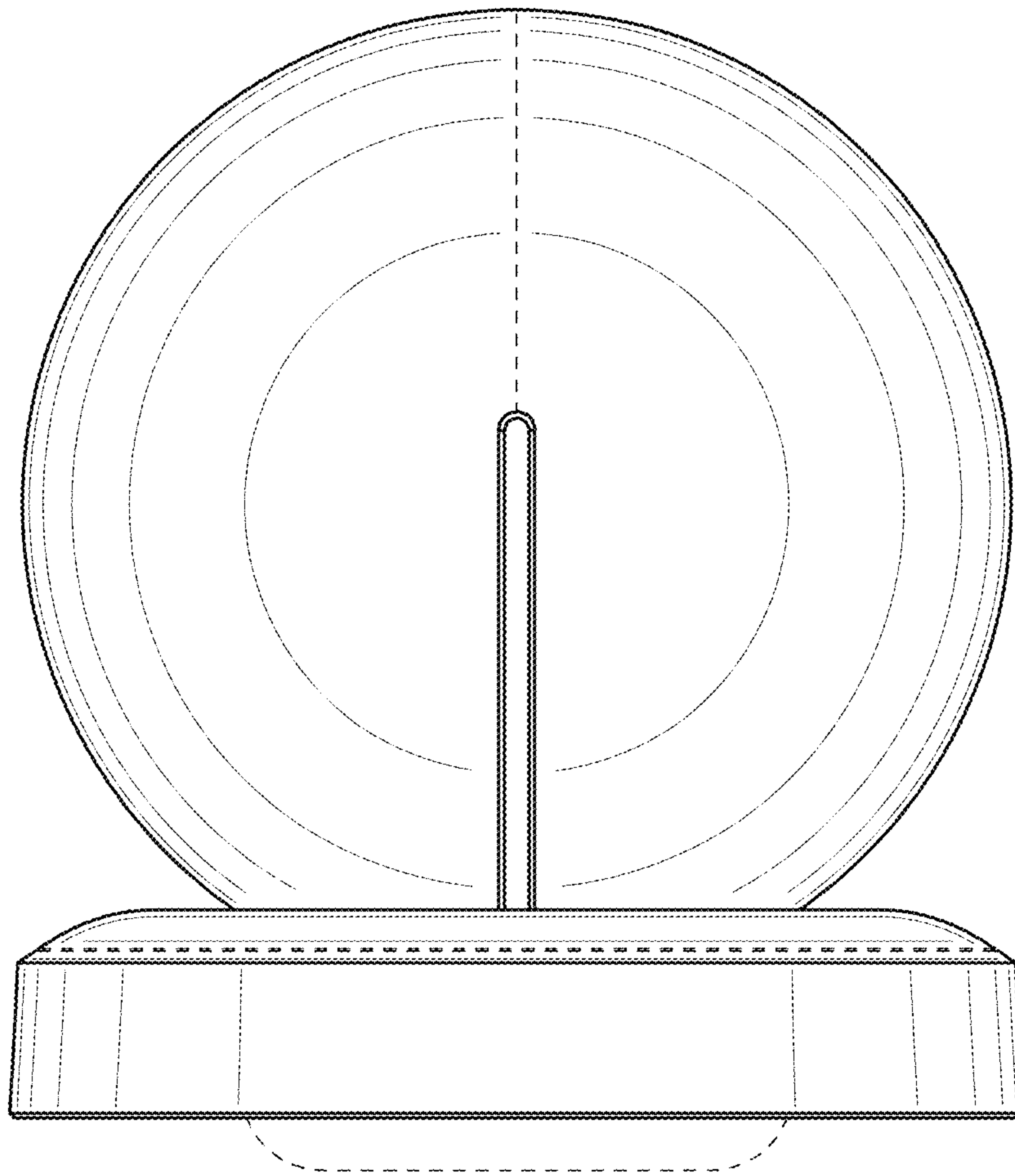


FIG. 14

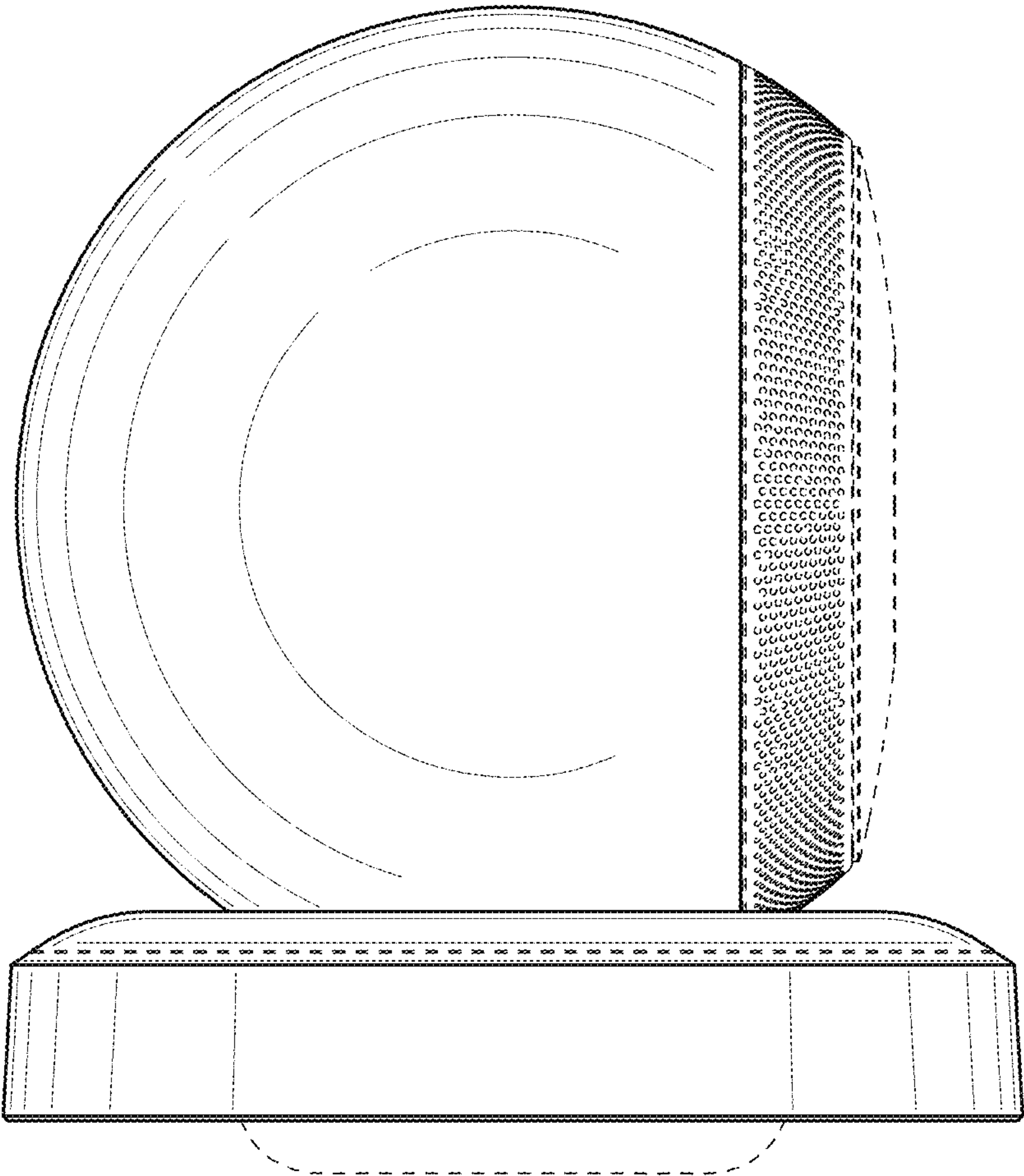


FIG. 15

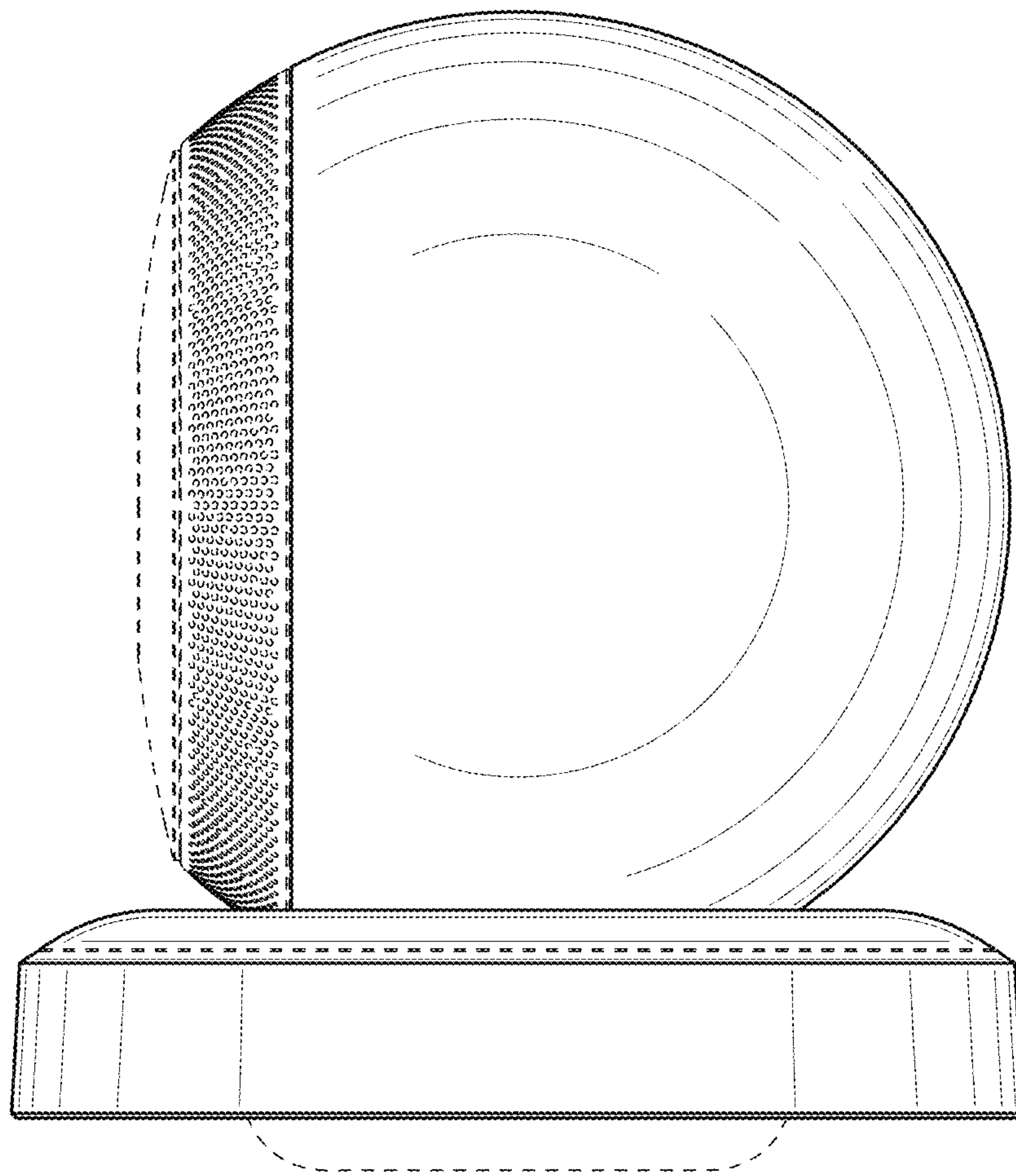


FIG. 16