



US00D830442S

(12) **United States Design Patent** (10) **Patent No.:** **US D830,442 S**  
**Vigren et al.** (45) **Date of Patent:** **\*\* Oct. 9, 2018**

(54) **MONITORING CAMERA**

(71) Applicant: **AXIS AB**, Lund (SE)

(72) Inventors: **Andres Vigren**, Hollviken (SE); **Louise Wiberg**, Malmo (SE); **Daniel Ahman**, Lomma (SE); **Mathias Walter**, Arlov (SE); **Mikael Adervall**, Klagshamn (SE); **Morten Bergstrom**, Bjarred (SE); **Rasmus Anderberg**, Malmo (SE); **Mats-Ake Ekbladh**, Bjarred (SE)

(73) Assignee: **AXIS AB**, Lund (SE)

(\*\*) Term: **15 Years**

(21) Appl. No.: **29/567,208**

(22) Filed: **Jun. 7, 2016**

(30) **Foreign Application Priority Data**

Dec. 10, 2015 (EM) ..... 002904540-0001  
Dec. 10, 2015 (EM) ..... 002904540-0002  
Dec. 10, 2015 (EM) ..... 002904540-0003  
Dec. 10, 2015 (EM) ..... 002904540-0004

(51) **LOC (11) Cl.** ..... **16-01**

(52) **U.S. Cl.**  
USPC ..... **D16/203**

(58) **Field of Classification Search**

USPC ..... D14/130, 144, 132; D16/200–220, 242, D16/238; D26/24, 36, 72, 79, 123; D10/104.1, 104.2, 106.1, 106.2, 106.5; D9/548, 560, 572, 574, 430, 431; D29/109–110  
CPC ..... H04N 7/181; H04N 7/183; H04N 7/18; H04N 3/08; H04N 5/23248; H04N 5/23287; H04N 5/23258; H04N 5/2251; H04N 5/2252; H04N 2007/145; G01C 11/025; G03B 15/00; G03B 15/03; G03B 17/56; G03B 17/02; G03B 17/30; G03B 17/04;

(Continued)

(56) **References Cited**

U.S. PATENT DOCUMENTS

D177,313 S 4/1956 Davis  
D368,041 S \* 3/1996 Skog ..... D10/106.2  
(Continued)

FOREIGN PATENT DOCUMENTS

CN 303083048 1/2015  
CN 303842632 9/2016  
(Continued)

OTHER PUBLICATIONS

AXIS Companion Cube L, announced Aug. 9, 2016, [site visited Mar. 29, 2017], Available from Internet, URL: <[https://www.amazon.com/Axis-Communications-0891-001-Companion-Network/dp/B01K1JWDCM/ref=sr\\_1\\_1?ie=UTF8&qid=1490797937&sr=8-1&keywords=axis+companion+cube](https://www.amazon.com/Axis-Communications-0891-001-Companion-Network/dp/B01K1JWDCM/ref=sr_1_1?ie=UTF8&qid=1490797937&sr=8-1&keywords=axis+companion+cube)>.\*

(Continued)

*Primary Examiner* — Barbara Fox

*Assistant Examiner* — Mary C Ramirez

(74) *Attorney, Agent, or Firm* — Volpe and Koenig, P.C.

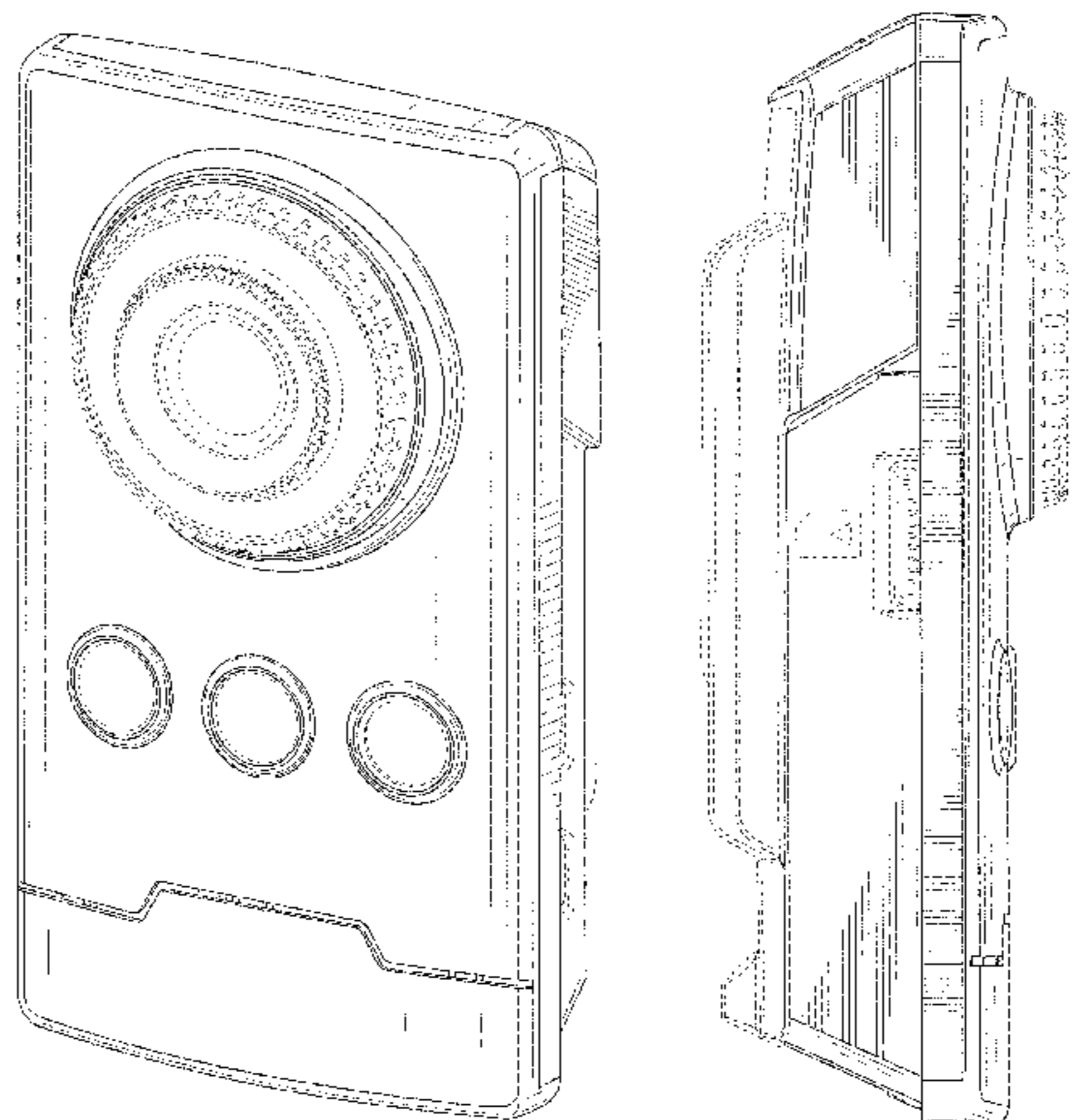
(57) **CLAIM**

The ornamental design for a monitoring camera, as shown and described.

**DESCRIPTION**

FIG. 1 is a perspective view of a monitoring camera showing our new design;  
FIG. 2 is a front elevational view thereof;  
FIG. 3 is a left side view thereof;  
FIG. 4 is a right side view thereof;  
FIG. 5 is a bottom view thereof;  
FIG. 6 is a top plan view thereof; and,  
FIG. 7 is a rear elevational view thereof.

(Continued)



The broken lines shown in the drawings depict portions of the monitoring camera that form no part of the claimed design.

**1 Claim, 5 Drawing Sheets**

(58) **Field of Classification Search**

CPC ..... G03B 17/00; G03B 19/04; G03B 3/00;  
 B60R 1/00; B60R 2300/105; G08B  
 13/19619; G08B 13/1963; G08B  
 13/19632; F16M 11/04; F16M 13/00;  
 Y02E 60/12

See application file for complete search history.

(56) **References Cited**

U.S. PATENT DOCUMENTS

D489,746 S *	5/2004	Ogura .....	D16/202
D518,843 S *	4/2006	Tullberg .....	D16/202
D544,009 S *	6/2007	Alm .....	D16/200
D603,440 S *	11/2009	Alm .....	D16/203
D603,887 S *	11/2009	Alm .....	D16/203
D609,727 S *	2/2010	Adolfsson .....	D16/200
D610,178 S *	2/2010	Adolfsson .....	D16/200
D634,039 S *	3/2011	Lee .....	D26/24
D636,007 S *	4/2011	Peng .....	D16/202
D636,424 S *	4/2011	Lin .....	D16/202
D642,607 S *	8/2011	Bergstrom .....	D16/203
D643,452 S *	8/2011	Alm .....	D16/200

D669,380 S *	10/2012	Kong .....	D10/104.1
D676,345 S *	2/2013	Sterling .....	D10/104.1
D720,789 S *	1/2015	Minamide .....	D16/203
D736,845 S *	8/2015	Yilin .....	D16/203
D741,285 S *	10/2015	Boynton .....	D14/188
D746,348 S *	12/2015	Park .....	D16/203
D766,864 S *	9/2016	Tani .....	D14/159
D806,774 S *	1/2018	Ahman .....	D16/203
D815,181 S *	4/2018	Ahman .....	D16/219
D816,144 S *	4/2018	Vigren .....	D16/203
2017/0168376 A1	6/2017	Adervall et al.	

FOREIGN PATENT DOCUMENTS

TW	D142682	9/2011
TW	D168383	11/2015

OTHER PUBLICATIONS

AXIS Companion Cube LW 2, announced Dec. 13, 2016, [site visited Mar. 29, 2017], Available from Internet, URL: <[https://www.amazon.com/AXIS-Companion-Megapixel-Network-Camera/dp/B01N4DELG7/ref=sr\\_1\\_2?ie=UTF8&qid=1490797937&sr=8-2&keywords=axis+companion+cube.\\*](https://www.amazon.com/AXIS-Companion-Megapixel-Network-Camera/dp/B01N4DELG7/ref=sr_1_2?ie=UTF8&qid=1490797937&sr=8-2&keywords=axis+companion+cube.*)>  
 Axis M1065LW, no date available, [site visited Mar. 29, 2017], Available from Internet, URL: <[http://www.networkwebcams.co.uk/product\\_image.php?products\\_id=2629](http://www.networkwebcams.co.uk/product_image.php?products_id=2629)>.\*  
 AXIS Communications, AXIS M10 Network Camera Series, 4 pages, Jan. 2014.

\* cited by examiner

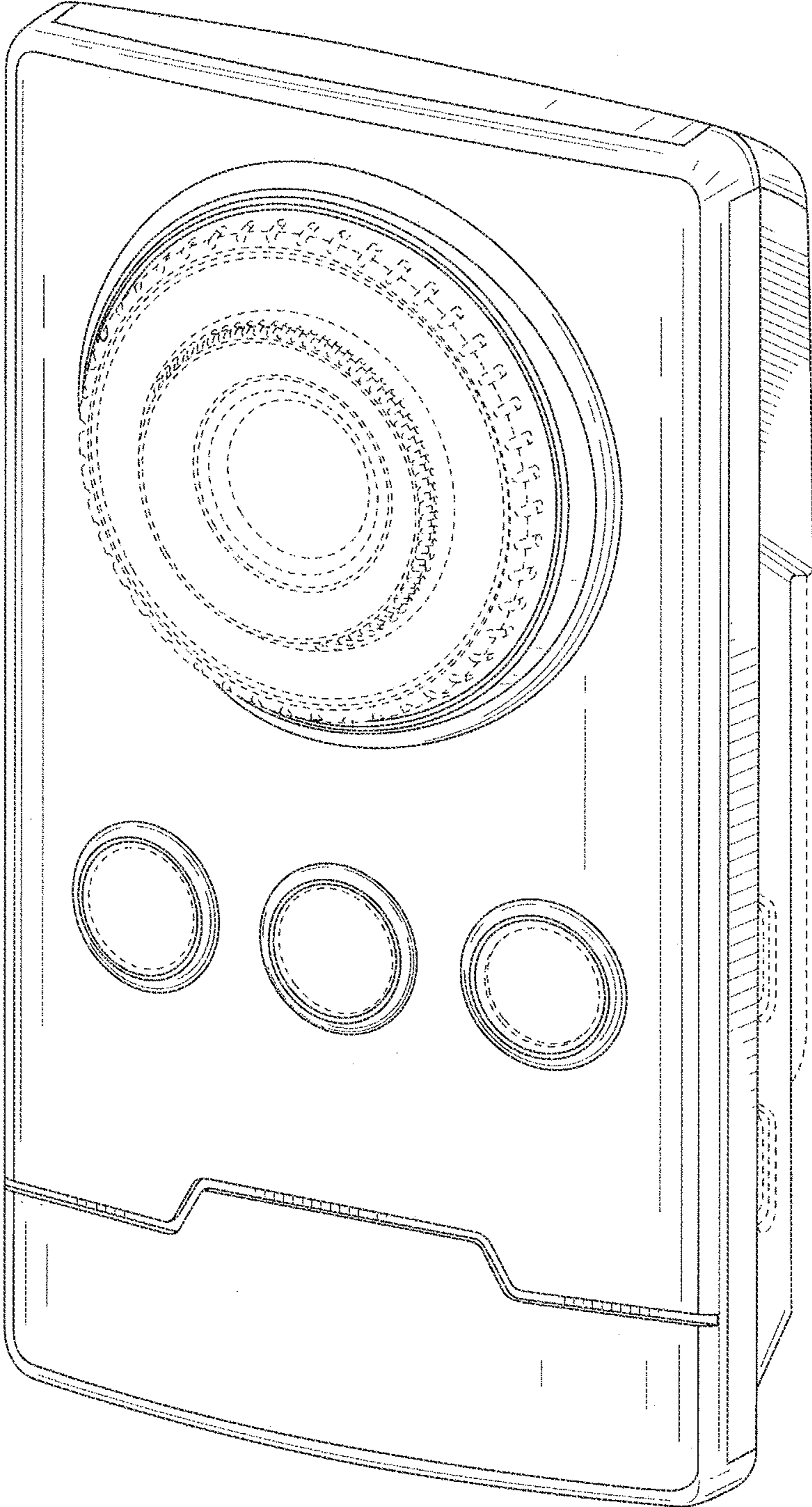


FIG. 1



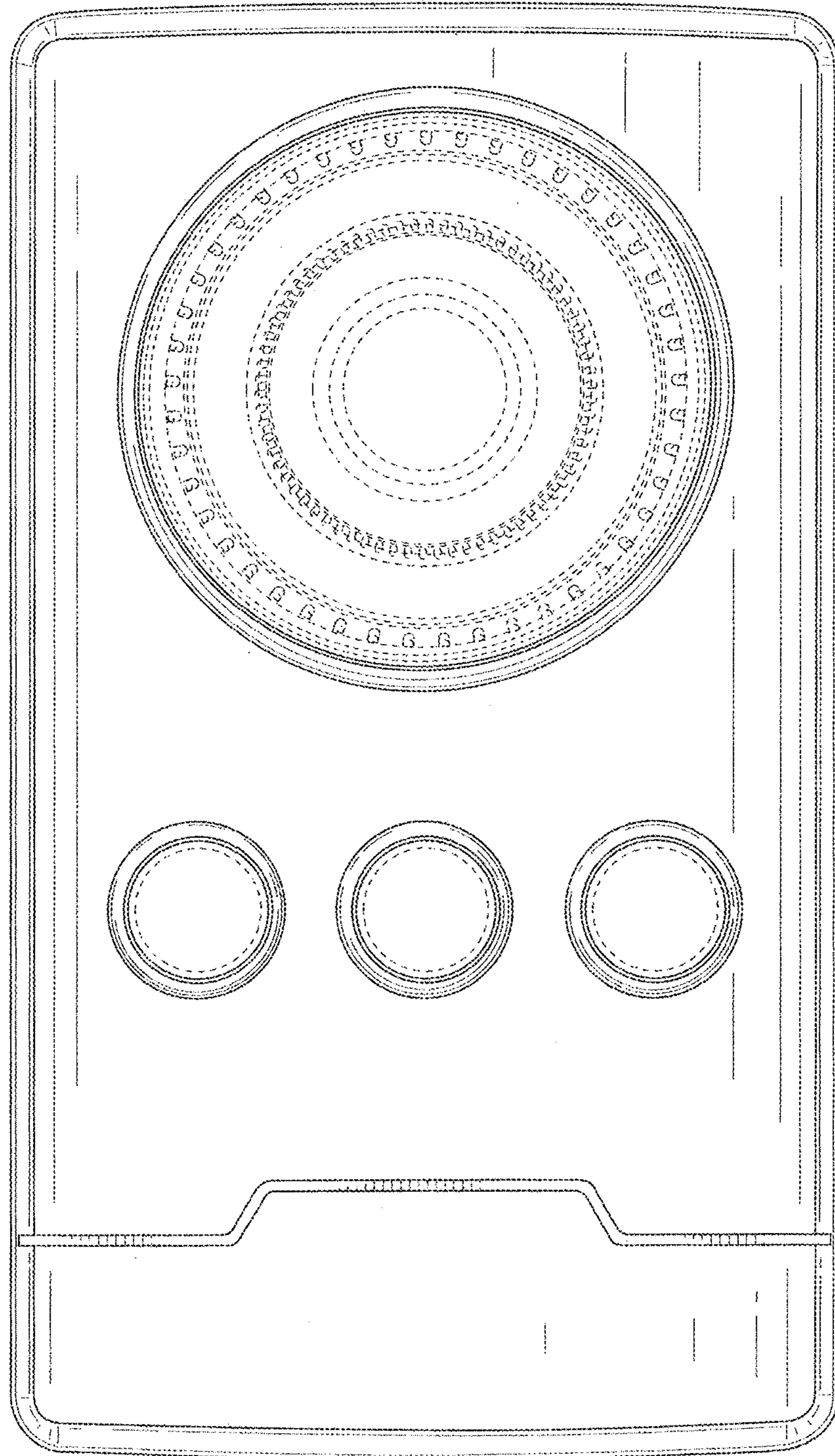


FIG. 2

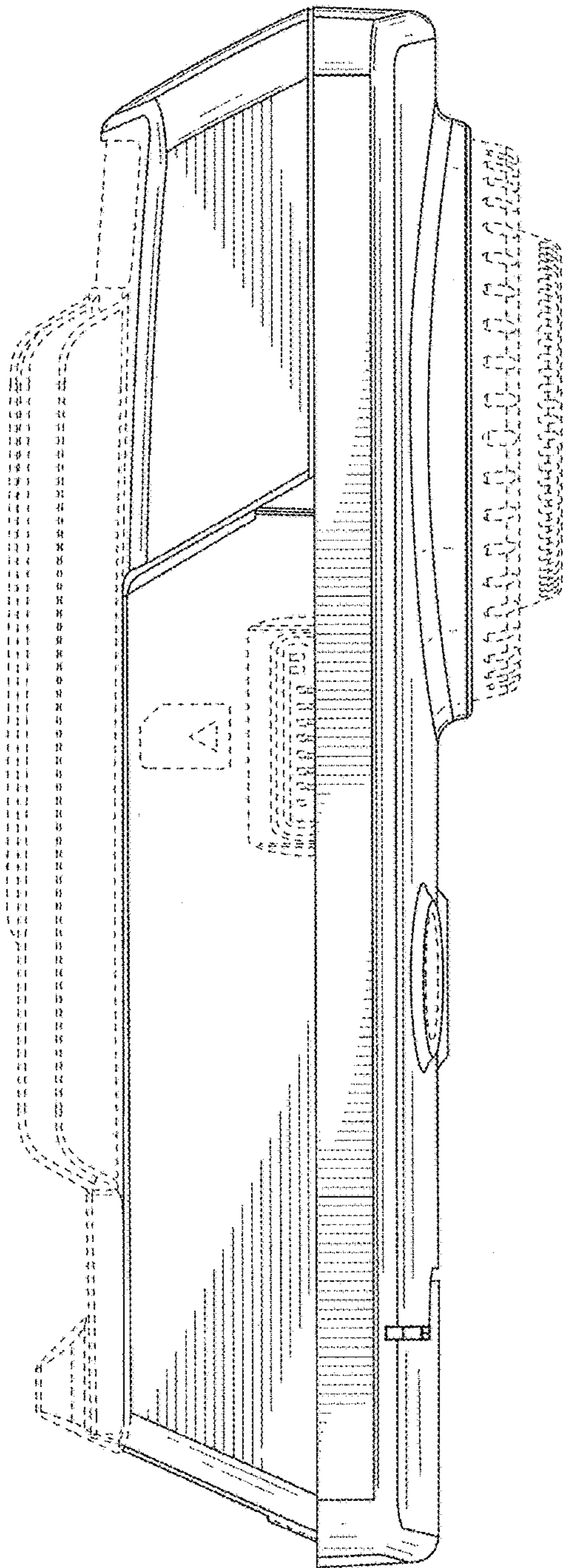


FIG. 3

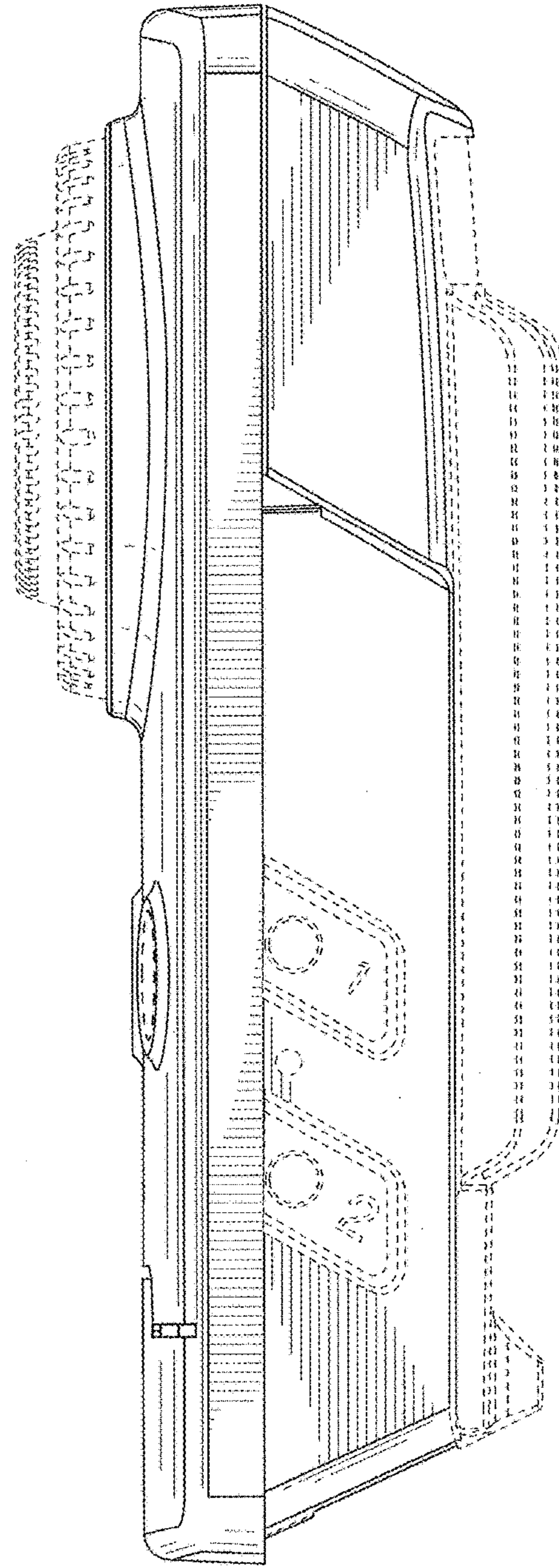


FIG. 4



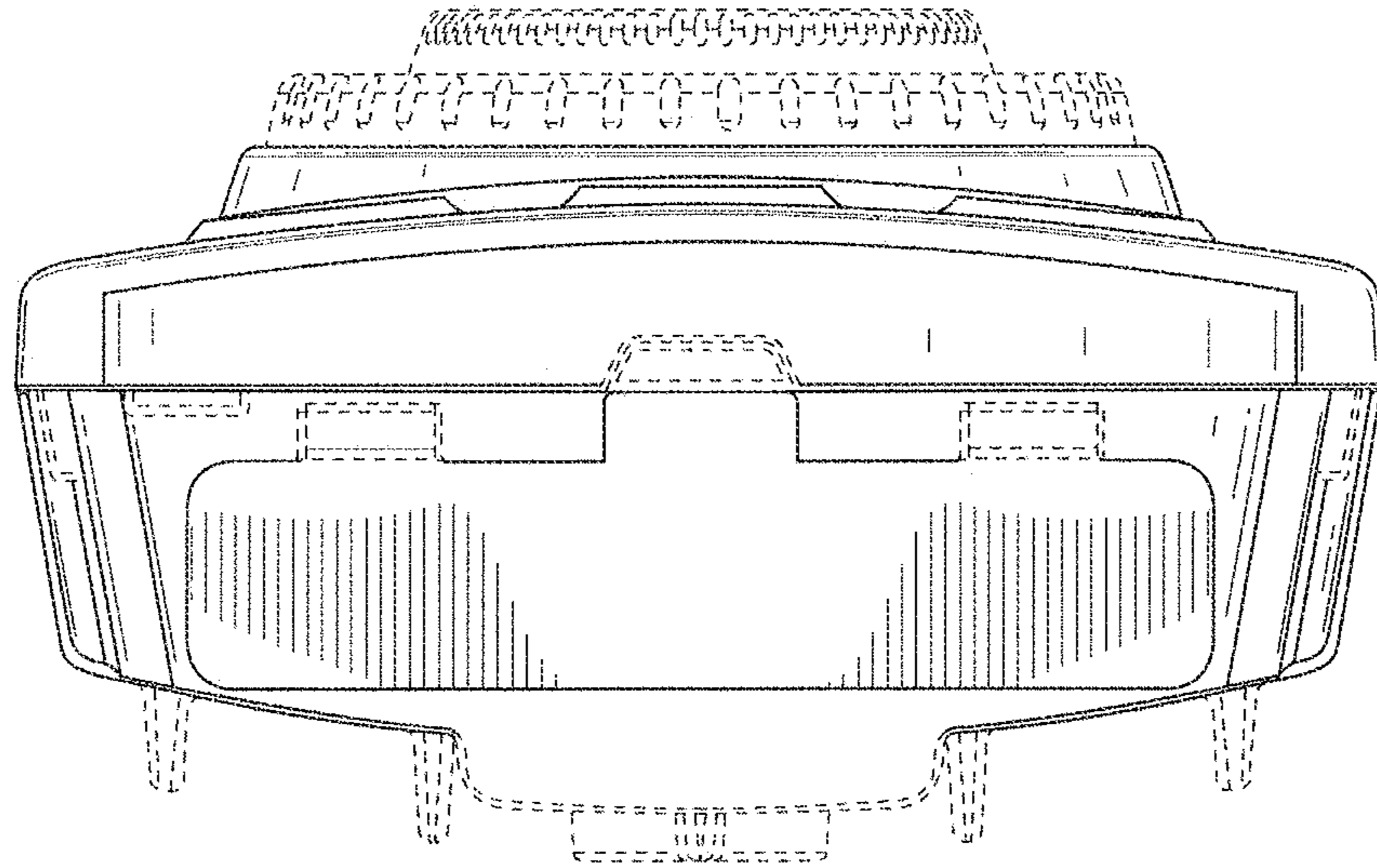


FIG. 5

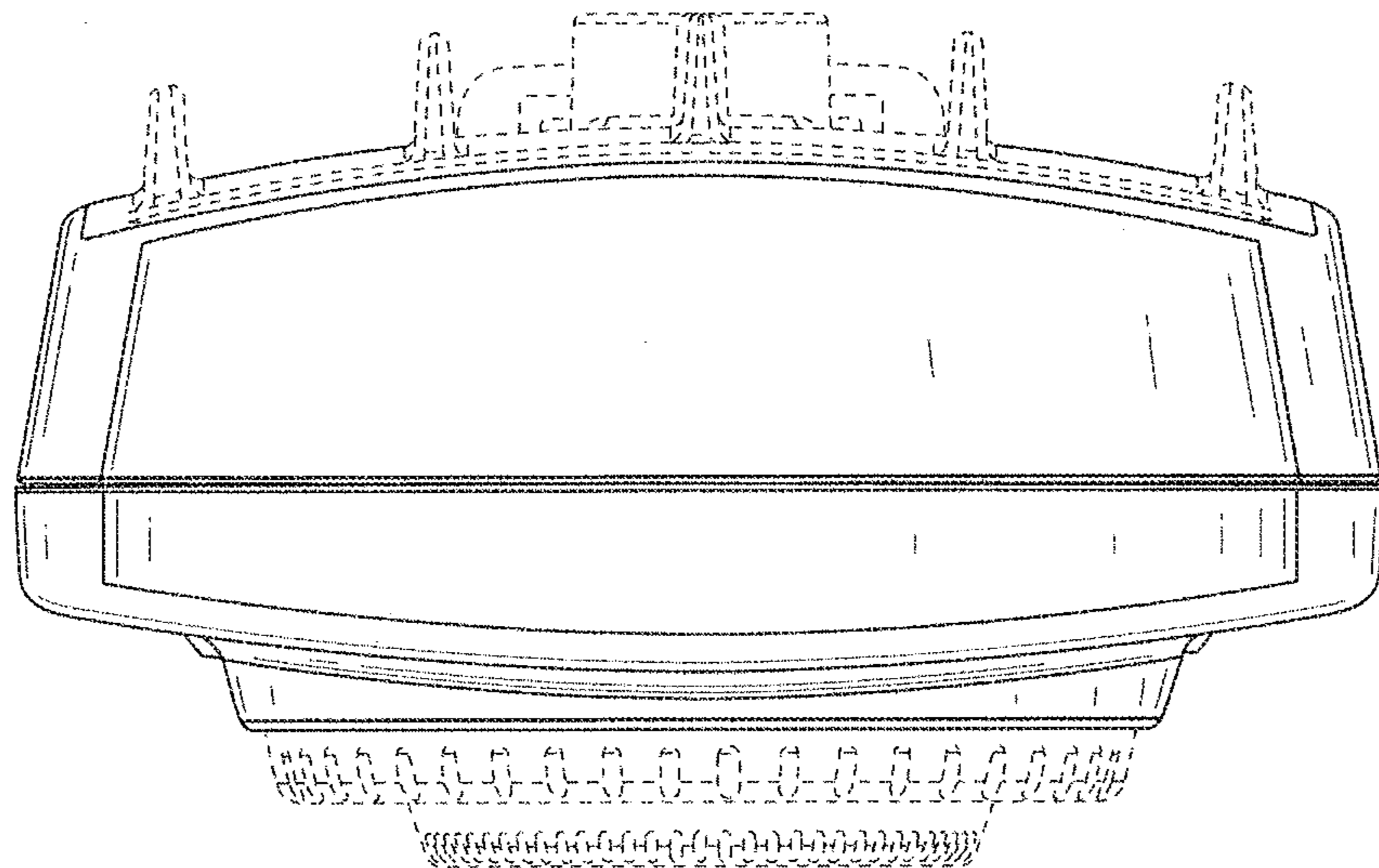


FIG. 6

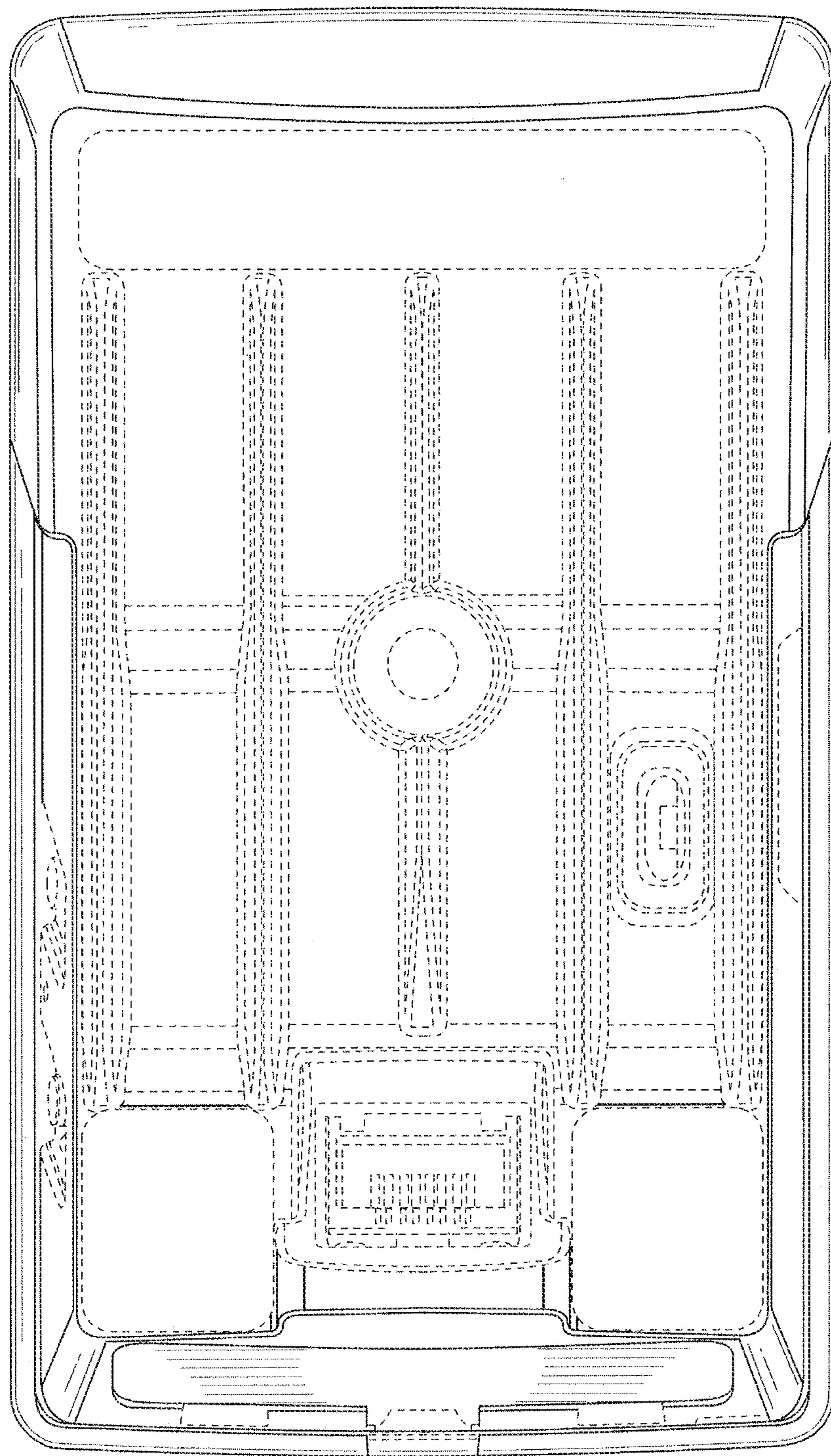


FIG. 7