



US00D830440S

(12) **United States Design Patent**
Mathieu

(10) **Patent No.:** **US D830,440 S**

(45) **Date of Patent:** **** Oct. 9, 2018**

- (54) **LENS**
- (71) Applicant: **GLOBAL BIONIC OPTICS LTD,**
Taree, NSW (AU)
- (72) Inventor: **Gilles Mathieu, Peng Chau (HK)**
- (73) Assignee: **Global Bionic Optics Ltd, Taree (AU)**
- (**) Term: **15 Years**
- (21) Appl. No.: **29/576,324**
- (22) Filed: **Sep. 1, 2016**
- (51) **LOC (11) Cl.** **16-06**
- (52) **U.S. Cl.**
USPC **D16/134**
- (58) **Field of Classification Search**
USPC D16/134, 100, 130, 135, 136, 200, 202,
D16/204, 218, 219, 237; D24/17, 66,
D24/64.1
See application file for complete search history.

- D651,630 S * 1/2012 Lai D16/134
- D654,525 S * 2/2012 Lai D16/134
- D662,530 S * 6/2012 Lai D16/134
- D662,956 S * 7/2012 Lai D16/134

* cited by examiner

Primary Examiner — John Windmuller
Assistant Examiner — Benjamin M Weeks
(74) *Attorney, Agent, or Firm* — Haley Guiliano LLP

(57) **CLAIM**

The ornamental design for a lens, as shown and described herein.

DESCRIPTION

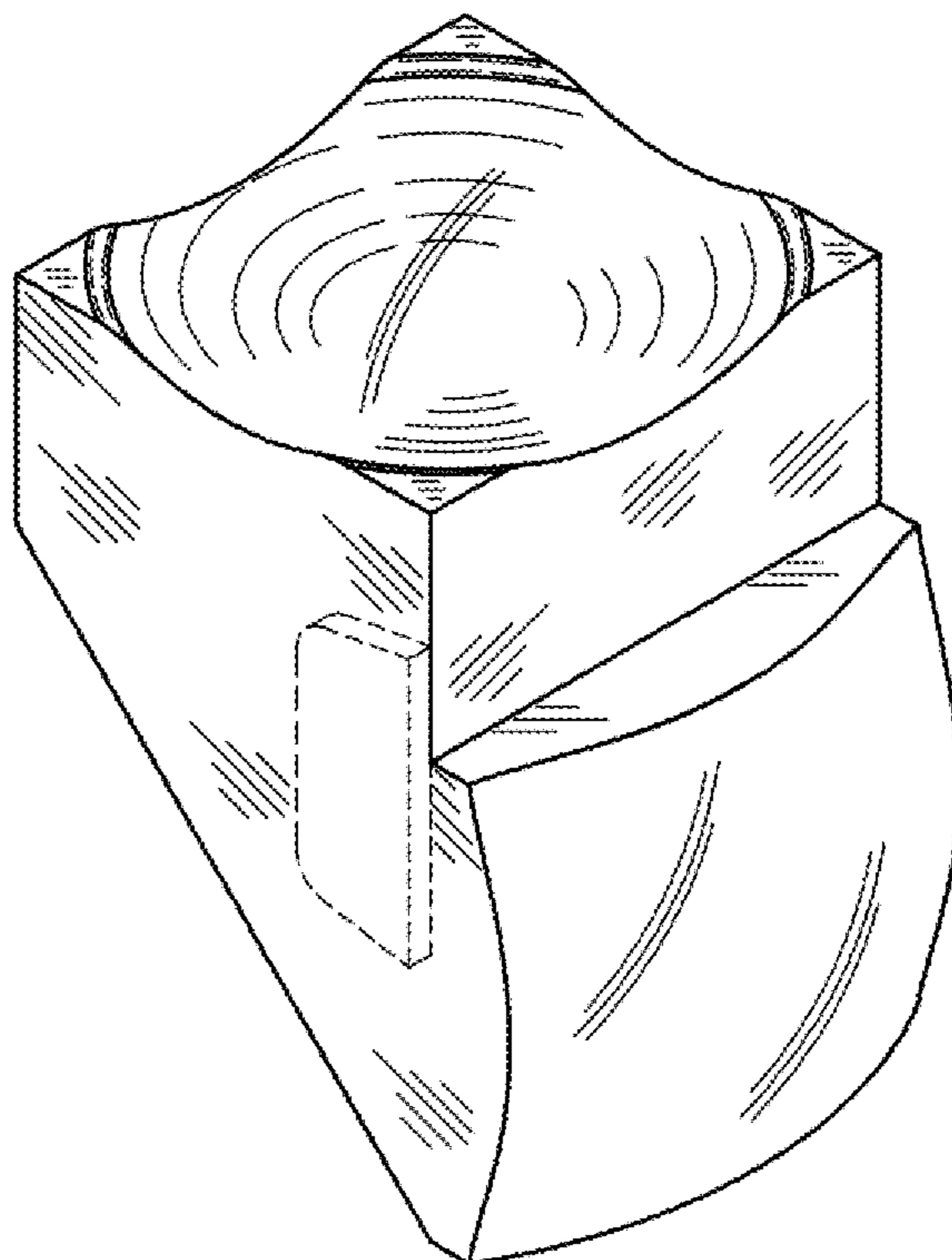
FIG. 1 is a perspective view of a lens in accordance with the present invention.
FIG. 2 is a perspective view of the lens of FIG. 1.
FIG. 3 is an elevational view a front of the lens of FIG. 1.
FIG. 4 is an elevational view of a back of the lens of FIG. 1.
FIG. 5 is an elevational view of a left side of the lens of FIG. 1.
FIG. 6 is an elevational view of a right side of the lens of FIG. 1.
FIG. 7 is a top view of the lens of FIG. 1; and,
FIG. 8 is a bottom view of the lens of FIG. 1.
The broken line portions of the disclosure are for illustrative purposes only and form no part of the claimed design.

(56) **References Cited**

U.S. PATENT DOCUMENTS

- D145,638 S * 9/1946 Rosenberg D16/135
- D206,956 S * 2/1967 Stewart D16/137
- D406,598 S * 3/1999 Grijalva D16/134
- D623,212 S * 9/2010 Chen D16/135
- D624,948 S * 10/2010 Lai D16/134

1 Claim, 1 Drawing Sheet



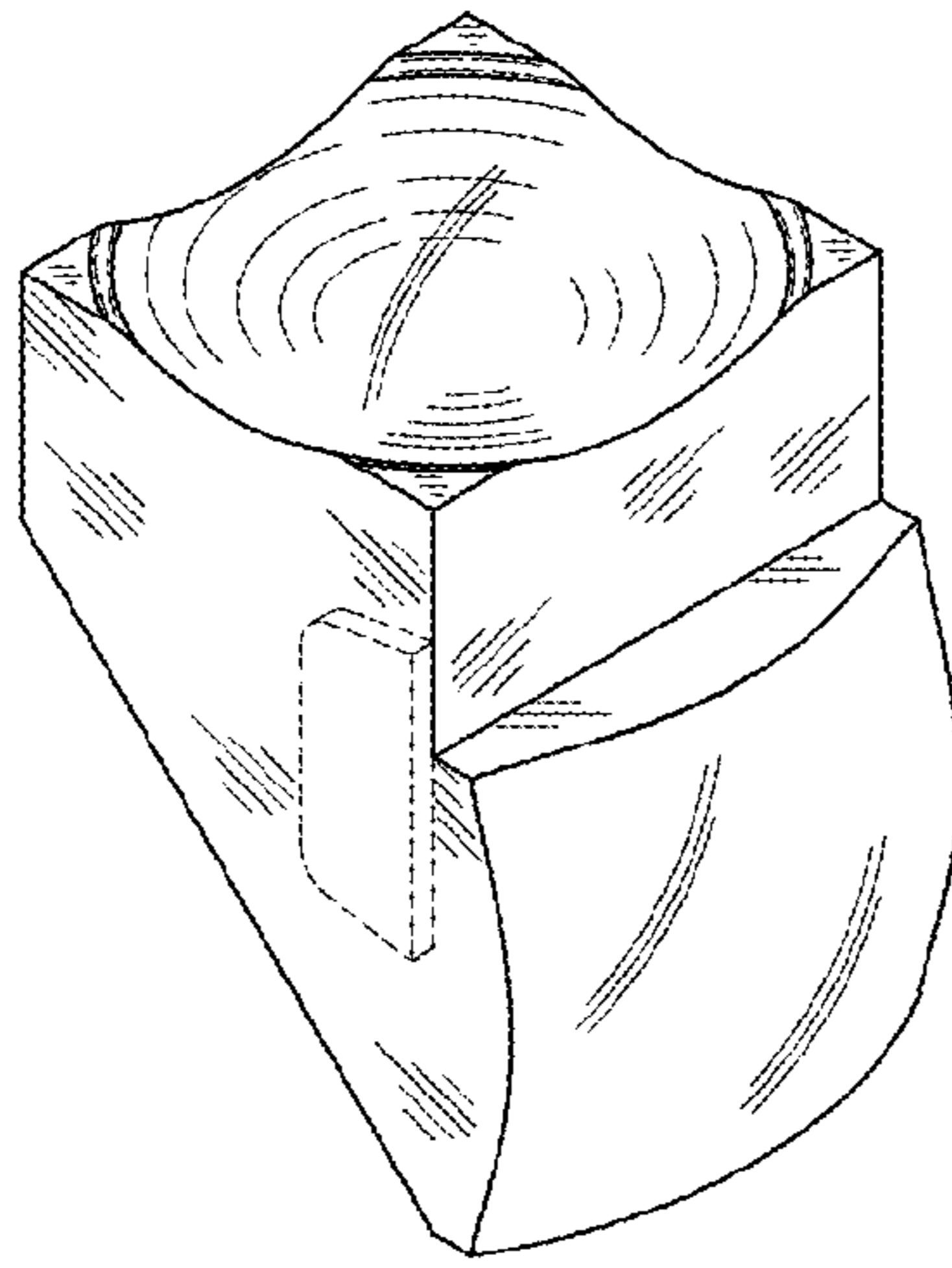


FIG. 1

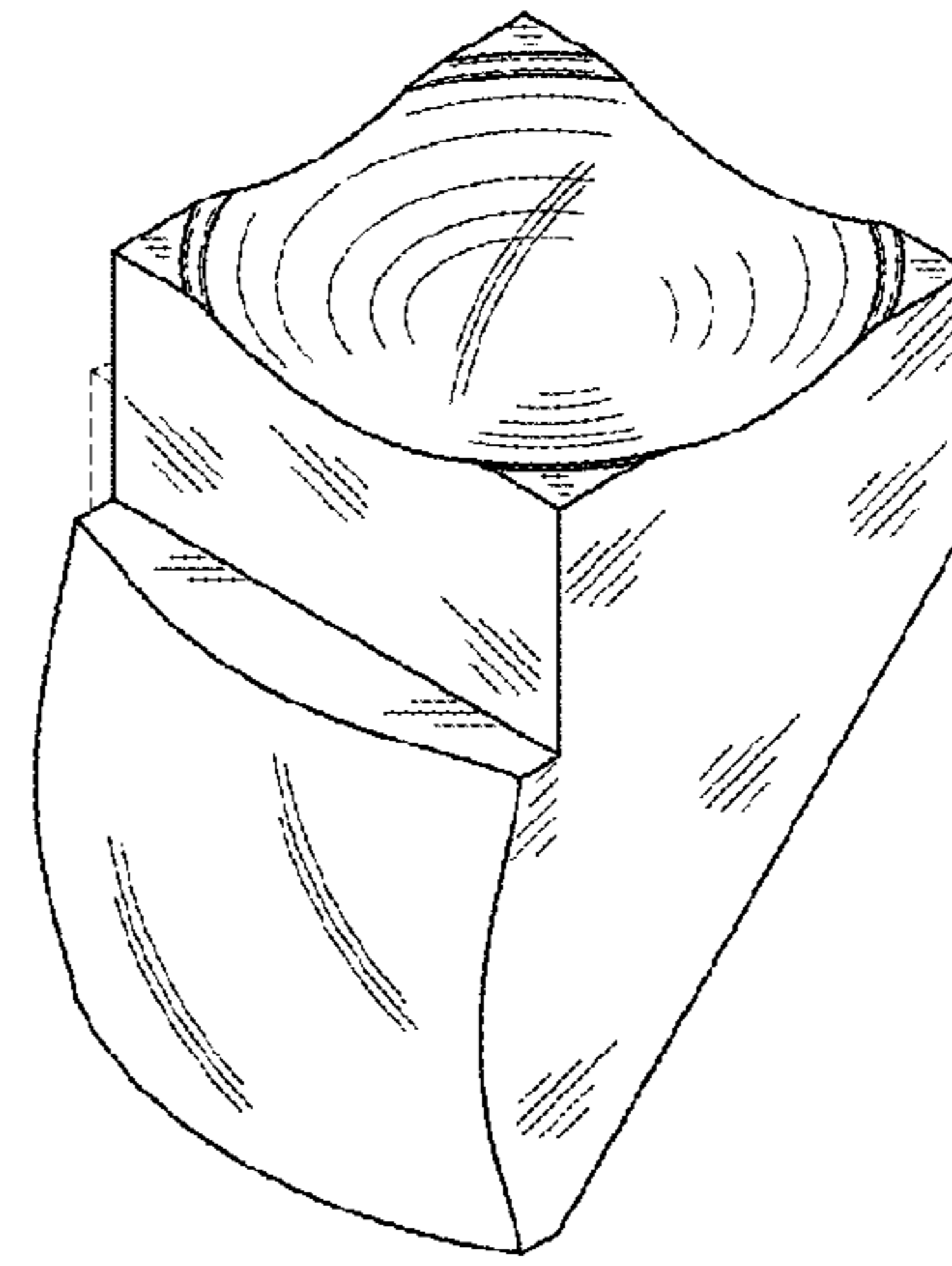


FIG. 2

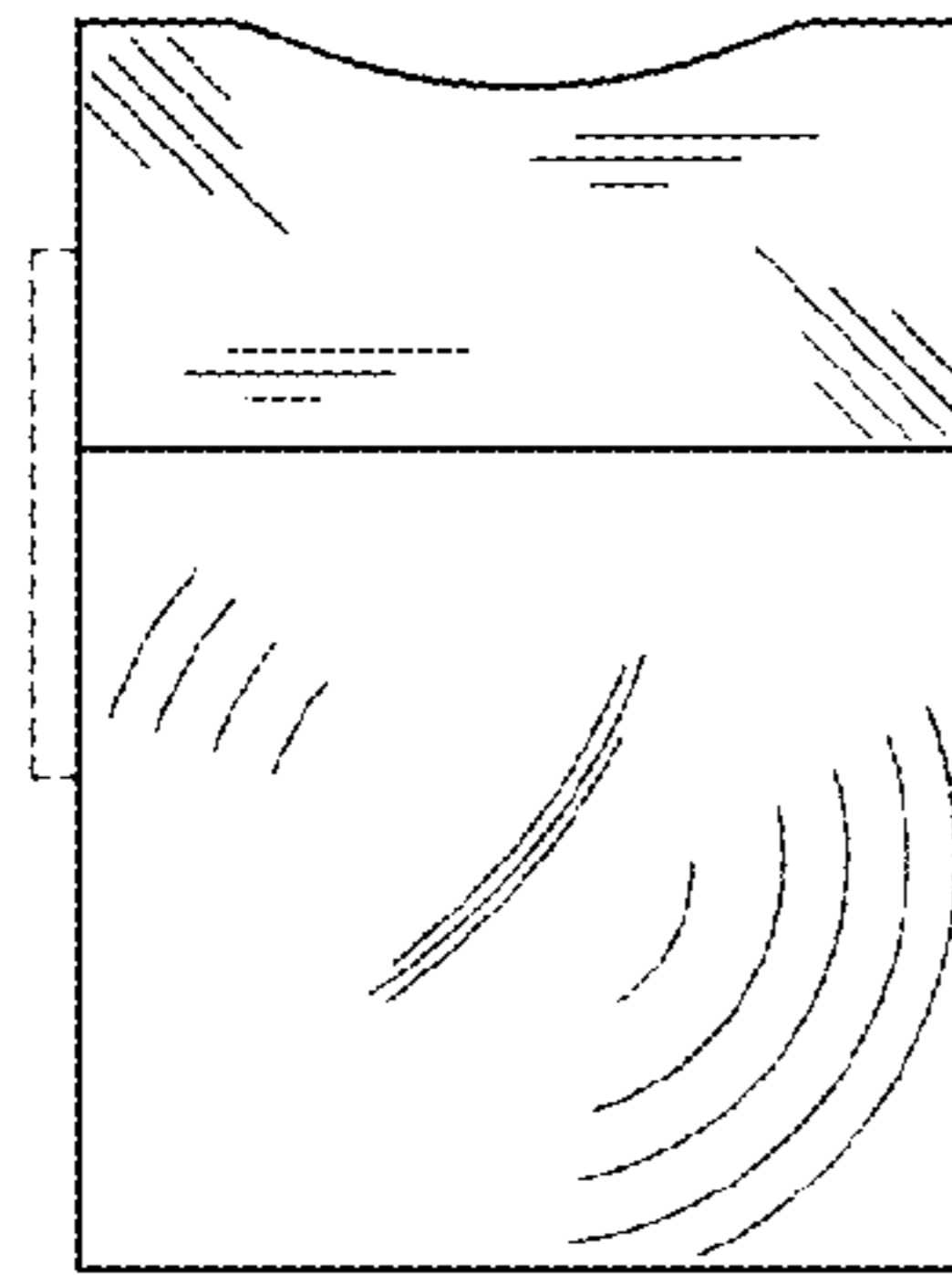


FIG. 3

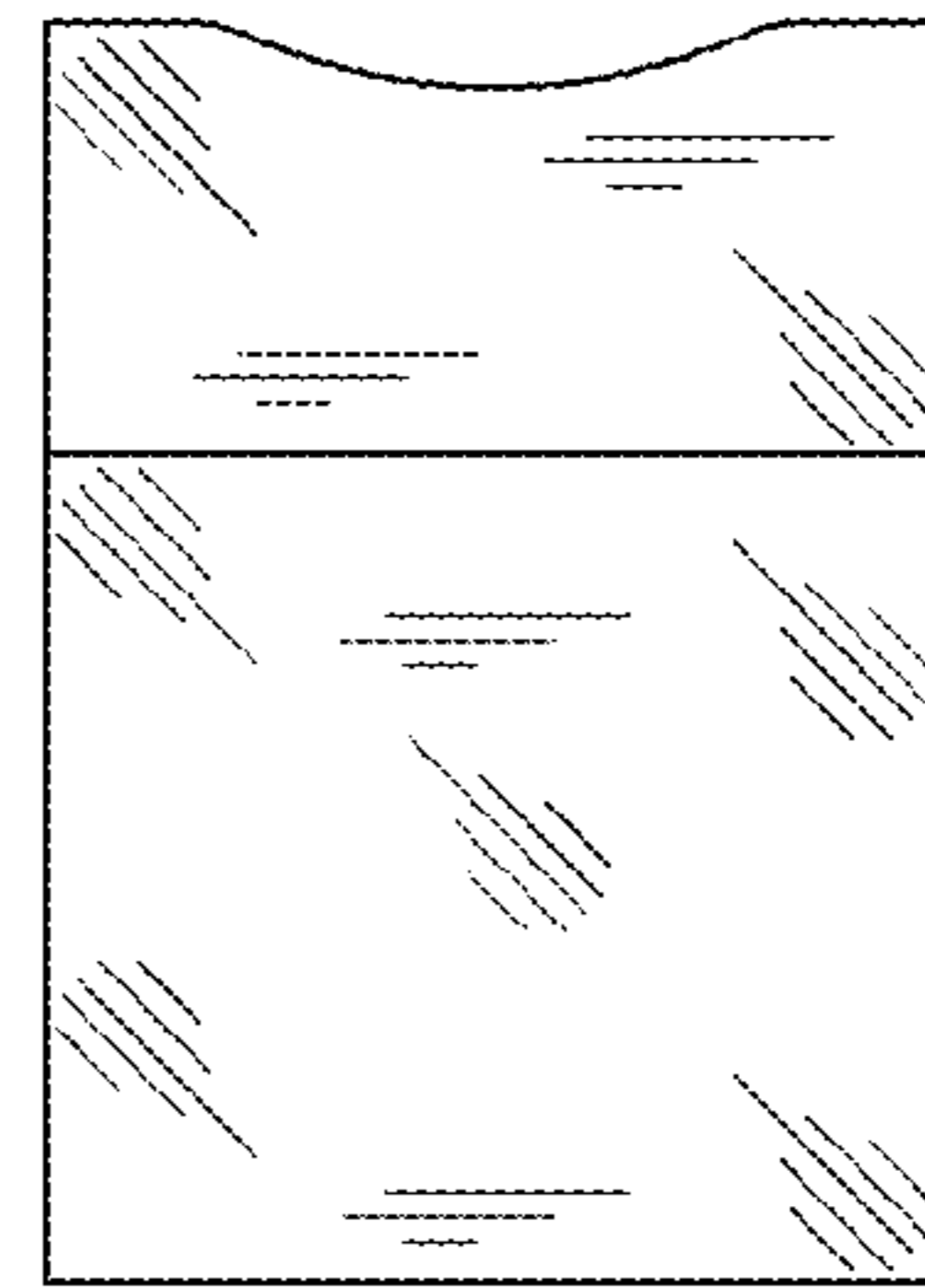


FIG. 4

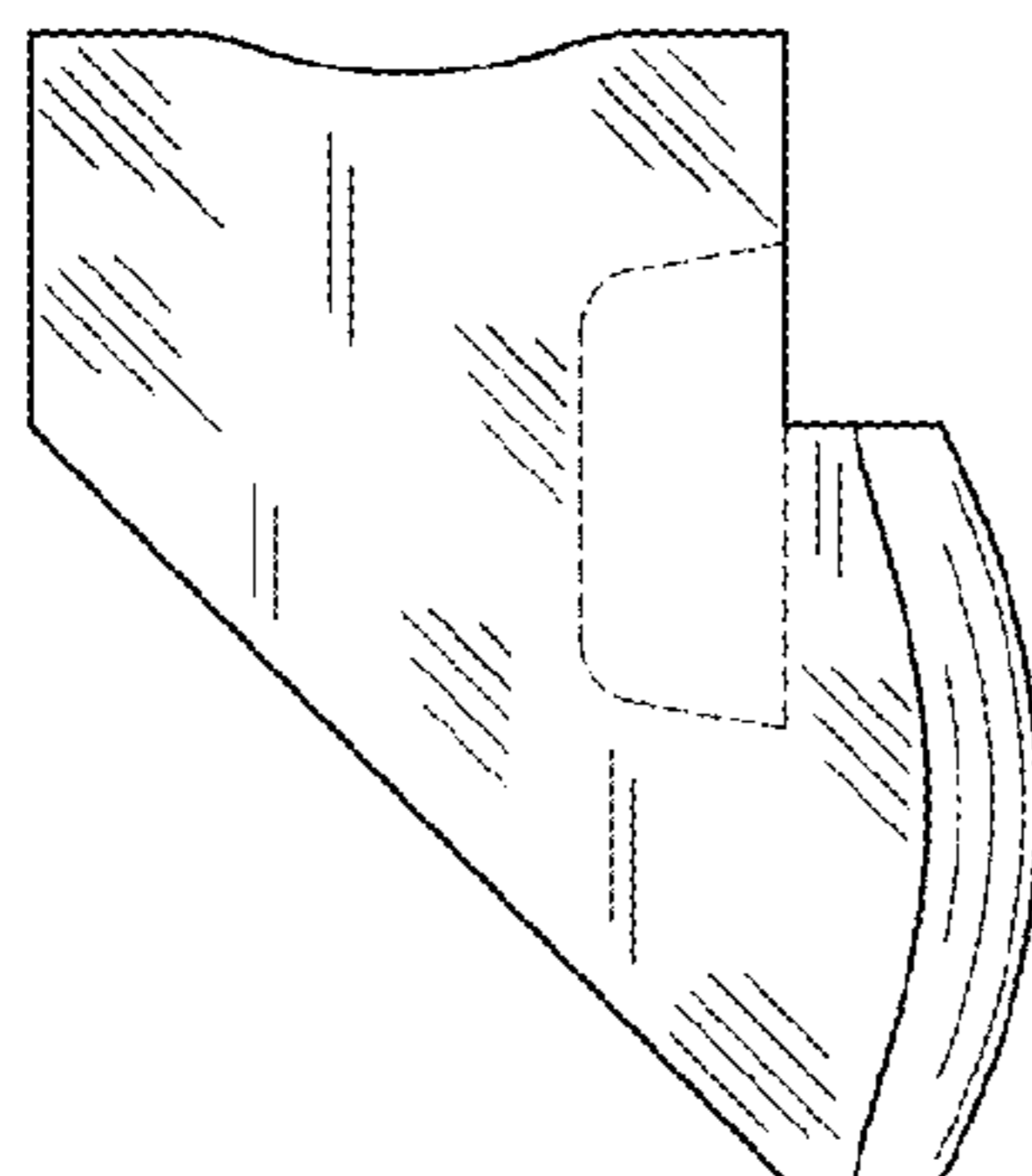


FIG. 5

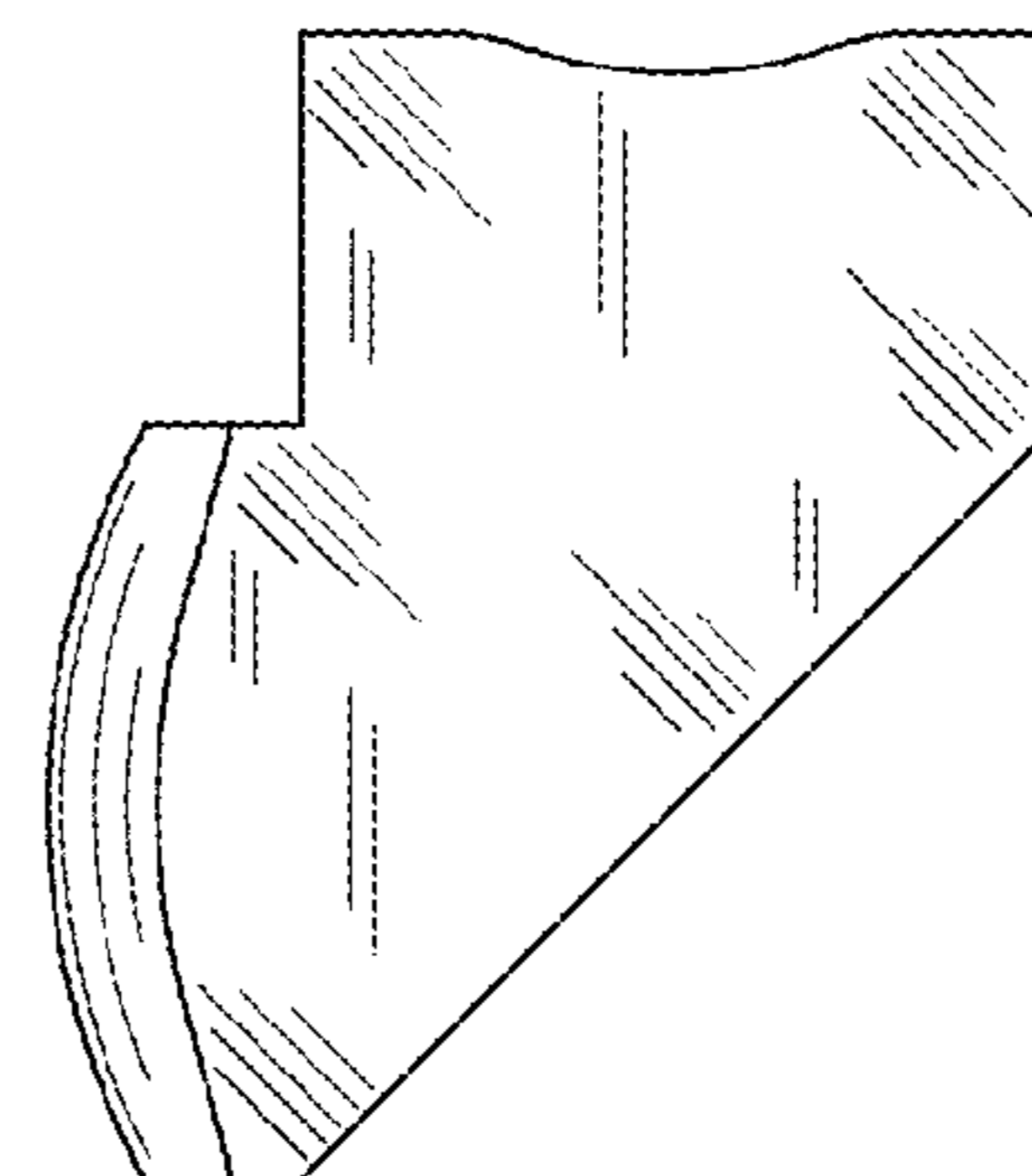


FIG. 6

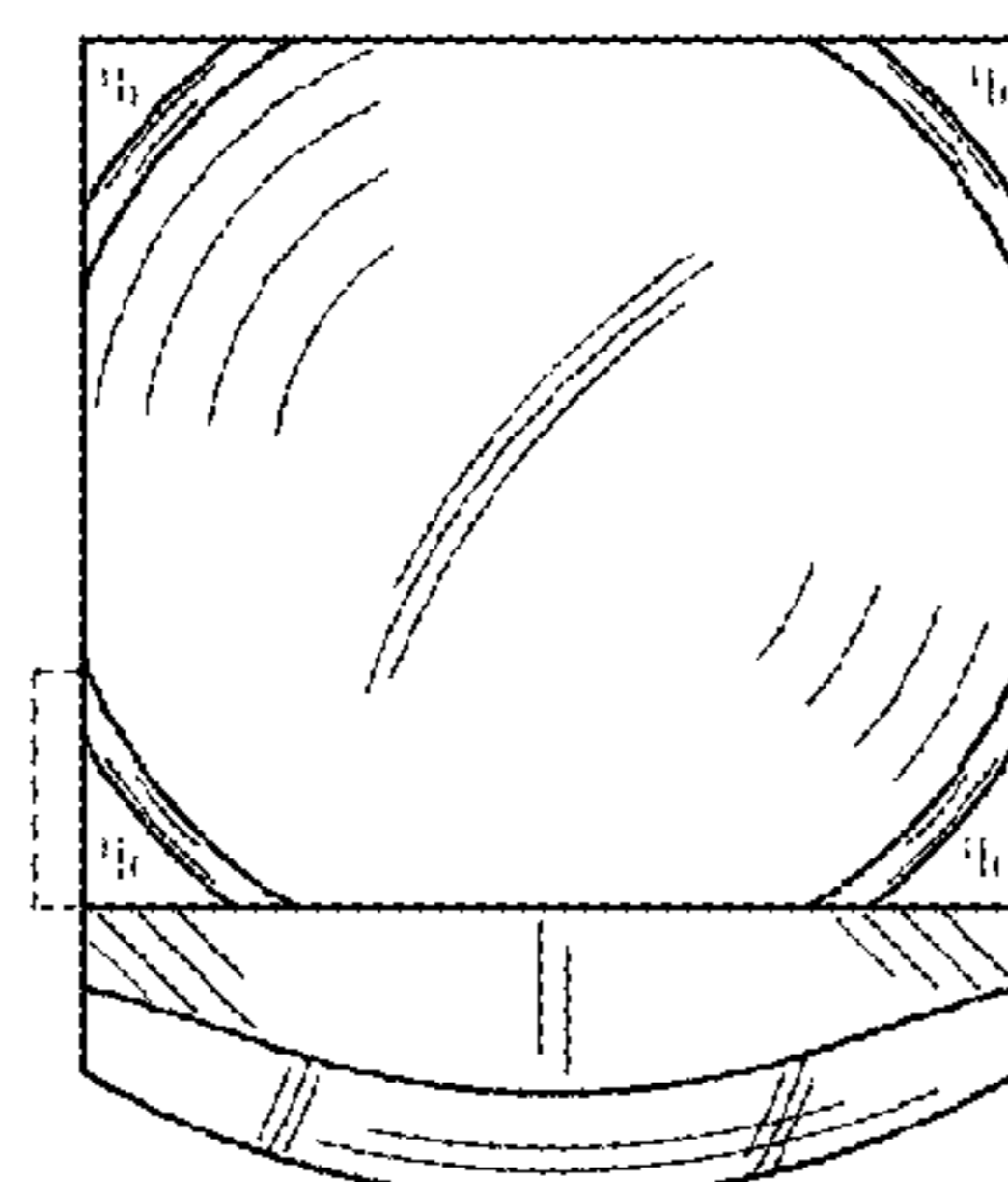


FIG. 7

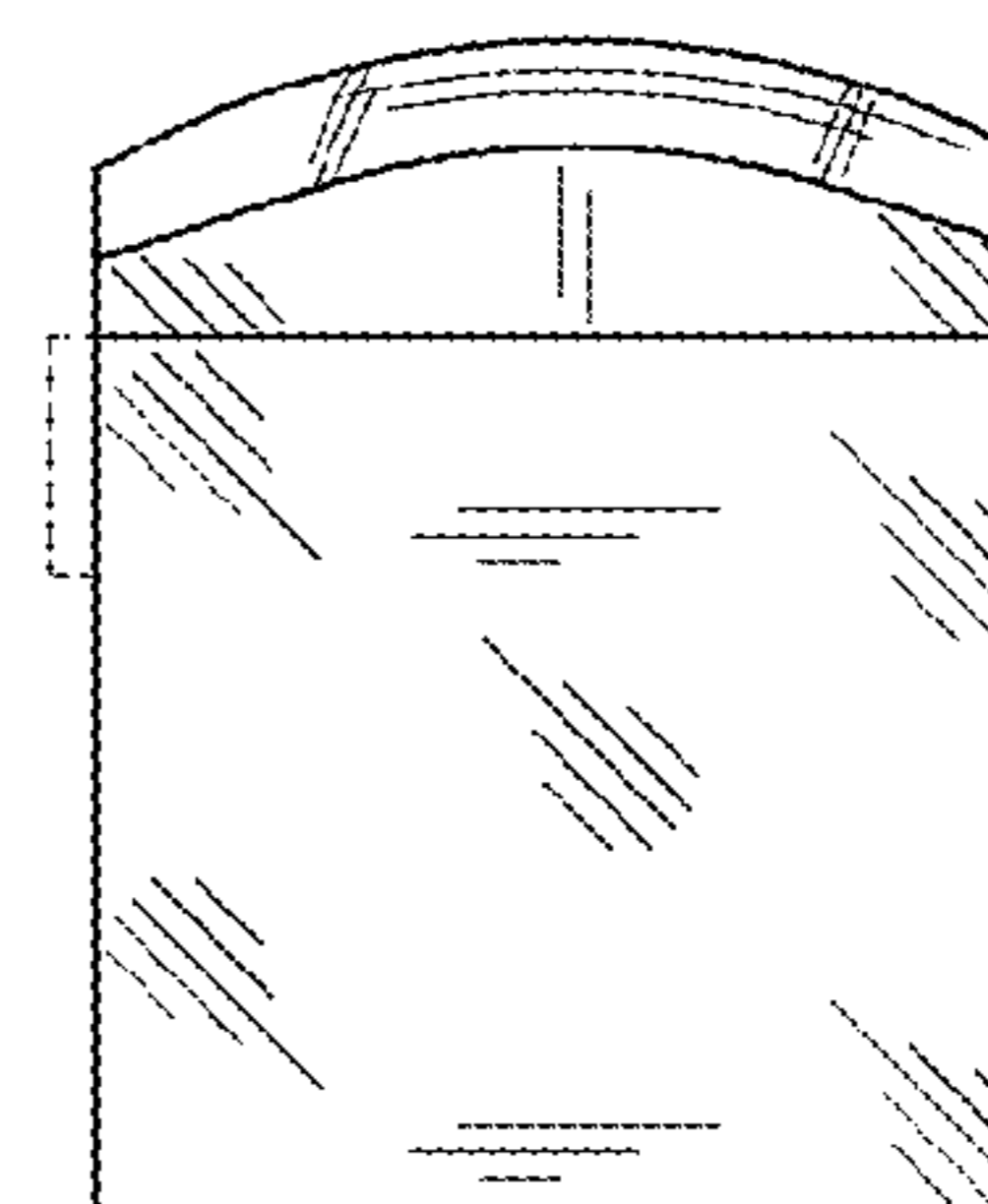


FIG. 8