



US00D830434S

(12) **United States Design Patent** (10) **Patent No.:** **US D830,434 S**  
**Wakisaka et al.** (45) **Date of Patent:** **\*\* Oct. 9, 2018**

(54) **INNER RING FOR TAPERED ROLLER BEARING**

FOREIGN PATENT DOCUMENTS

(71) Applicant: **NTN CORPORATION**, Osaka-shi, Osaka (JP)

IN 253358 4/2013

\* cited by examiner

(72) Inventors: **Takashi Wakisaka**, Kuwana (JP); **Yasuyoshi Hayashi**, Kuwana (JP)

*Primary Examiner* — Patricia A Palasik

(74) *Attorney, Agent, or Firm* — Muncy, Geissler, Olds & Lowe, P.C.

(73) Assignee: **NTN CORPORATION**, Osaka-shi, Osaka (JP)

(\*\*) Term: **15 Years**

(57) **CLAIM**

The ornamental design for an inner ring for tapered roller bearing, as shown and described.

(21) Appl. No.: **29/549,672**

(22) Filed: **Dec. 28, 2015**

(51) **LOC (11) Cl.** ..... **15-09**

**DESCRIPTION**

(52) **U.S. Cl.**

USPC ..... **D15/143**

(58) **Field of Classification Search**

USPC ..... D15/143, 199

CPC ..... F16C 19/30; F16C 19/305; F16C 33/37;

F16C 33/51; F16C 33/49; F16C 33/50;

F16C 33/541; F16C 33/543; F16C

33/546; F16C 33/565; F16C 33/4676;

F16C 33/4682; F16C 33/6696

See application file for complete search history.

FIG. 1 is a front view of the inner ring for tapered roller bearing;

FIG. 2 is a back view thereof;

FIG. 3 is a right side view thereof, the left side view being a mirror image thereof;

FIG. 4 is a top view thereof, the bottom view being a mirror image thereof;

FIG. 5 is a sectional view thereof taken along line 5-5 in FIG. 1;

FIG. 6 is an enlarged partial view thereof taken along line 6-6 in FIG. 5; and,

FIG. 7 is a respective view thereof.

The broken line showing is for the purpose of illustrating environmental structure and forms no part of the claimed the design.

(56) **References Cited**

U.S. PATENT DOCUMENTS

D322,553 S \* 12/1991 Kanemitsu ..... D8/360

D338,621 S \* 8/1993 Balson ..... D9/434

D703,160 S \* 4/2014 Tanimura ..... D13/182

D770,992 S \* 11/2016 Tauchi ..... D13/182

**1 Claim, 4 Drawing Sheets**

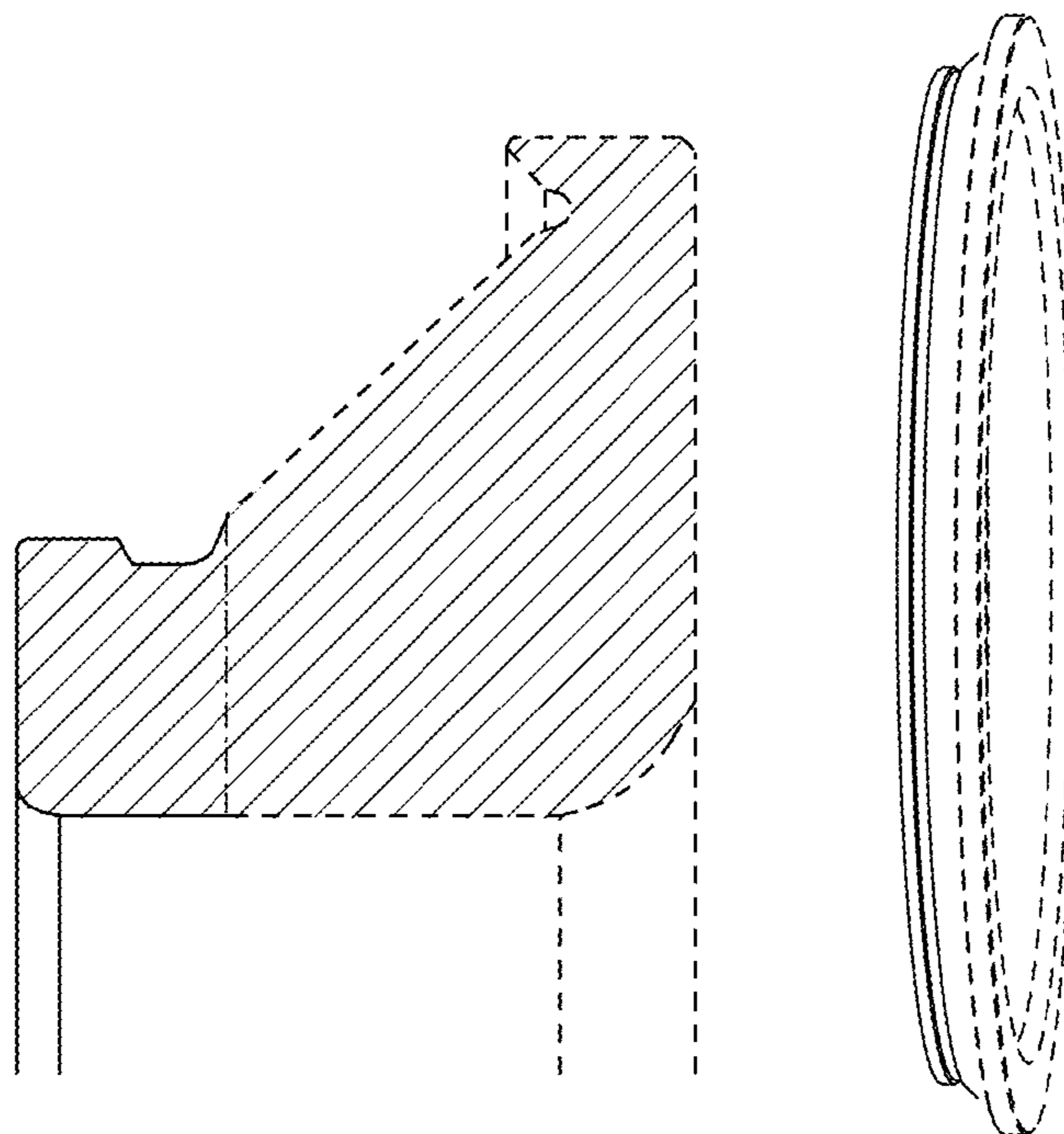


Fig. 1

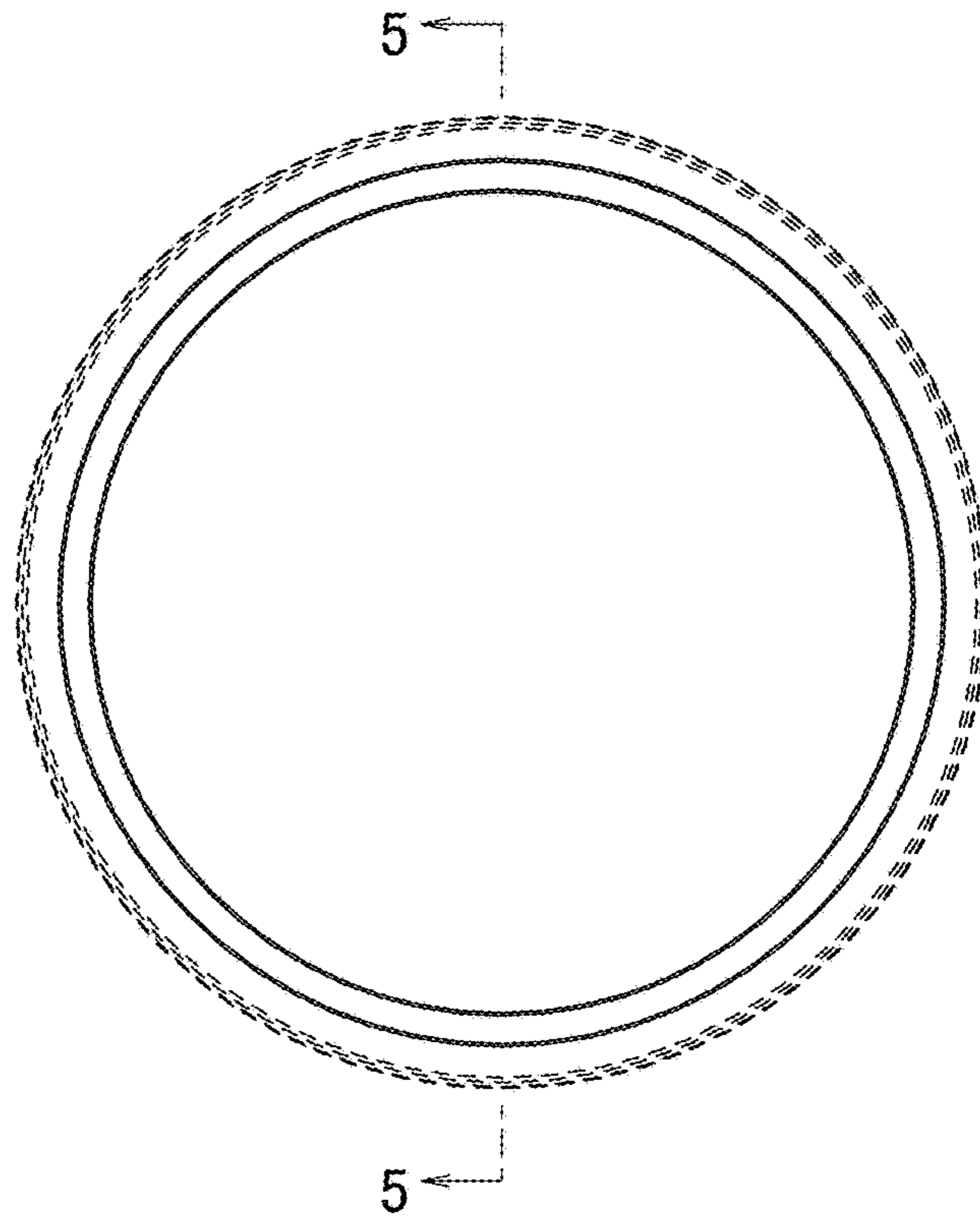


Fig. 2

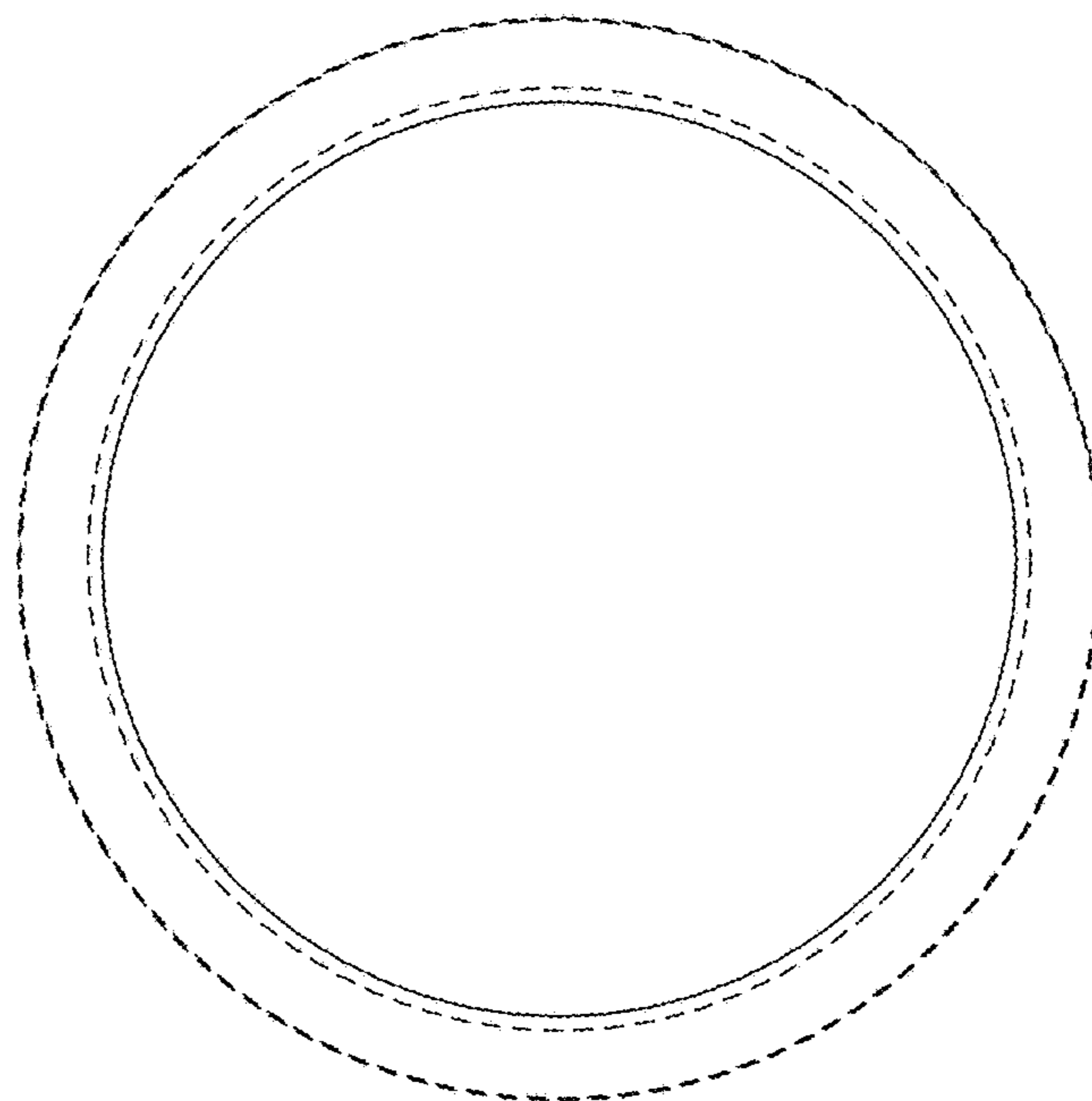


Fig. 3

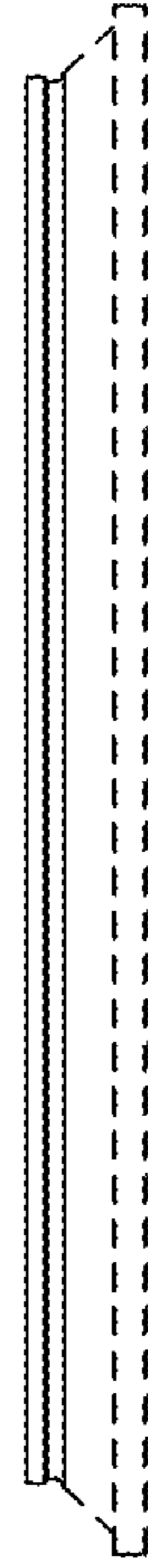


Fig. 4

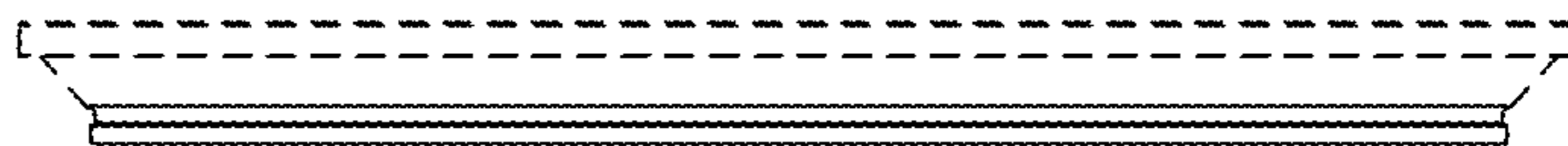


Fig. 5

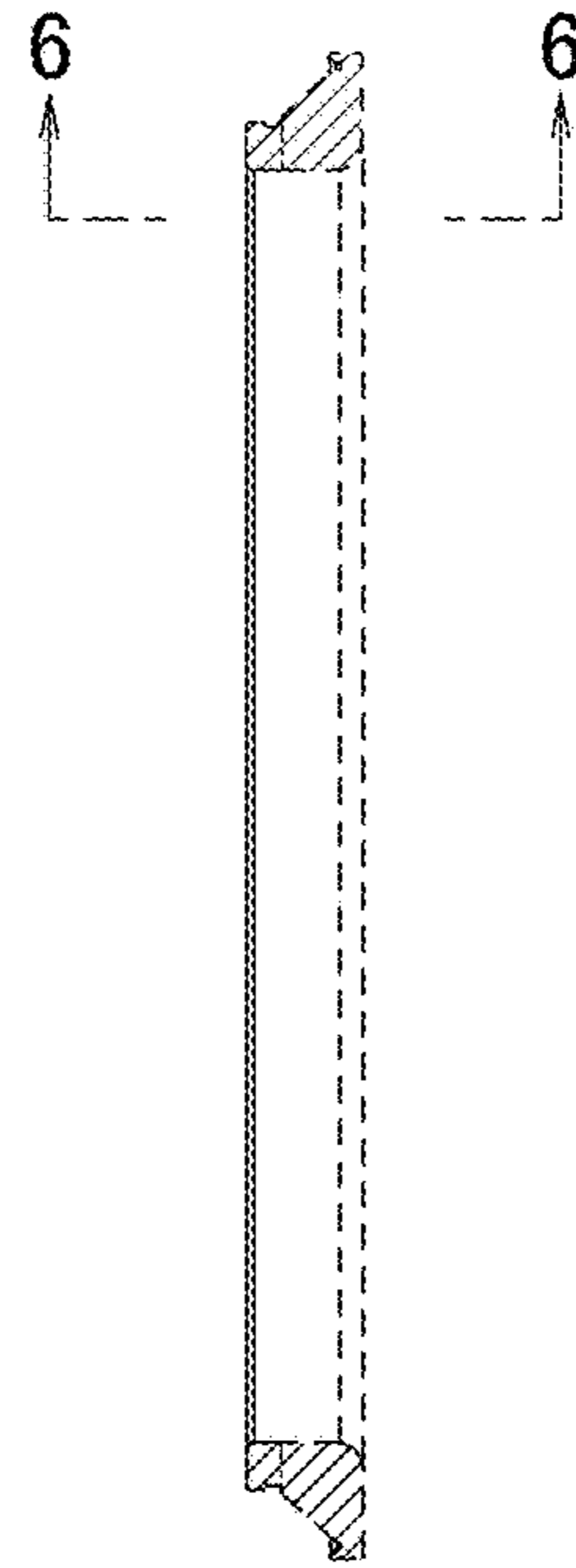


Fig. 6

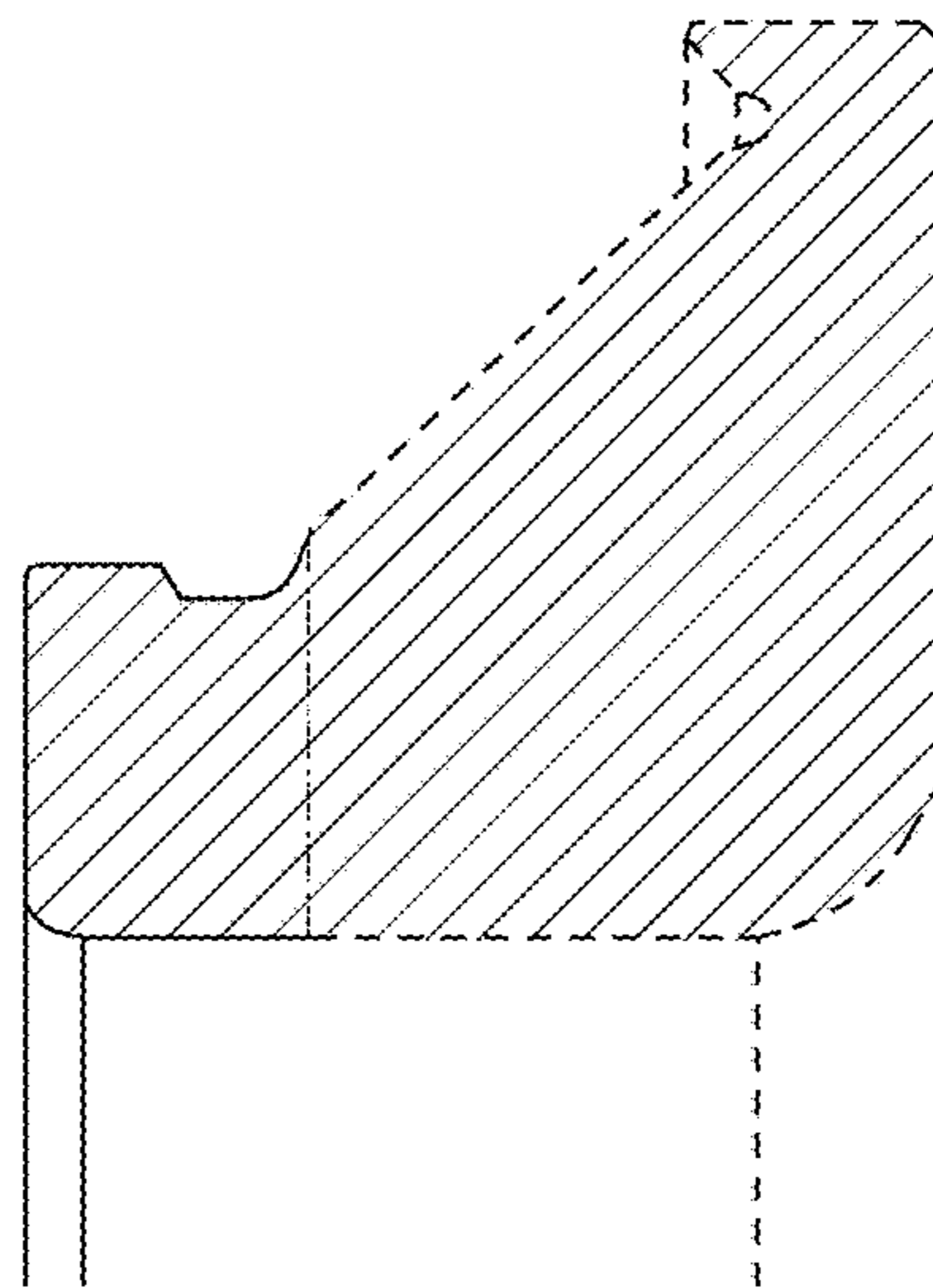


Fig. 7

