



US00D830433S

(12) **United States Design Patent** (10) **Patent No.:** **US D830,433 S**
Ursell et al. (45) **Date of Patent:** **** Oct. 9, 2018**

(54) **TOOL STAND**

- (71) Applicant: **Affinity Tool Works, LLC**, Troy, MI (US)
- (72) Inventors: **Mike Ursell**, Bloomfield Hills, MI (US); **Connor Ursell**, Bloomfield Hills, MI (US); **Mark Cross**, Marysville, MI (US); **Sam Ursell**, Beverly Hills, MI (US); **Ken Neilson**, Troy, MI (US)
- (73) Assignee: **Affinity Tool Works, LLC**, Troy, MI (US)

(**) Term: **15 Years**

(21) Appl. No.: **29/553,752**

(22) Filed: **Feb. 4, 2016**

Related U.S. Application Data

- (63) Continuation of application No. 15/015,310, filed on Feb. 4, 2016, now Pat. No. 9,889,553.
 - (60) Provisional application No. 62/111,747, filed on Feb. 4, 2015.
 - (51) **LOC (11) Cl.** **15-09**
 - (52) **U.S. Cl.**
USPC **D15/141**; D6/684
 - (58) **Field of Classification Search**
USPC D15/7, 9, 10, 13, 17, 27, 28, 122, 123, D15/124, 125, 126, 127, 128, 129, 138, D15/139, 140, 141, 199; D6/684
CPC B25D 3/00; B25D 17/02; B25D 2250/111; B25D 2211/003; B25D 16/00; E21B 10/52; E21B 10/16; E21B 10/567; C03B 23/047; C03B 23/0496
- See application file for complete search history.

(56) **References Cited**

U.S. PATENT DOCUMENTS

6,880,835 B2 *	4/2005	Tornabene	B62B 1/002 182/20
D519,747 S *	5/2006	Wu	D15/141
D527,200 S *	8/2006	Wu	D6/684
D564,780 S *	3/2008	Reeves	D6/684
D595,324 S *	6/2009	Wu	D15/141
7,588,255 B2 *	9/2009	Katz	A47B 3/08 280/47.18
D614,887 S *	5/2010	Reeves	D6/684
D701,545 S *	3/2014	Elder	D15/141
9,186,736 B1 *	11/2015	Chang	B23D 57/0092
9,321,471 B1 *	4/2016	Gedeon-Janvier	B62B 1/002

(Continued)

OTHER PUBLICATIONS

<http://www.5stardealreviews.com/5-of-the-best-portable-miter-saw-stand-reviews/>—Published Mar. 28, 2014.*

(Continued)

Primary Examiner — Manpreet S Matharu

Assistant Examiner — Mojtaba Tehrani

(74) *Attorney, Agent, or Firm* — William H. Honaker; Dickinson Wright PLLC

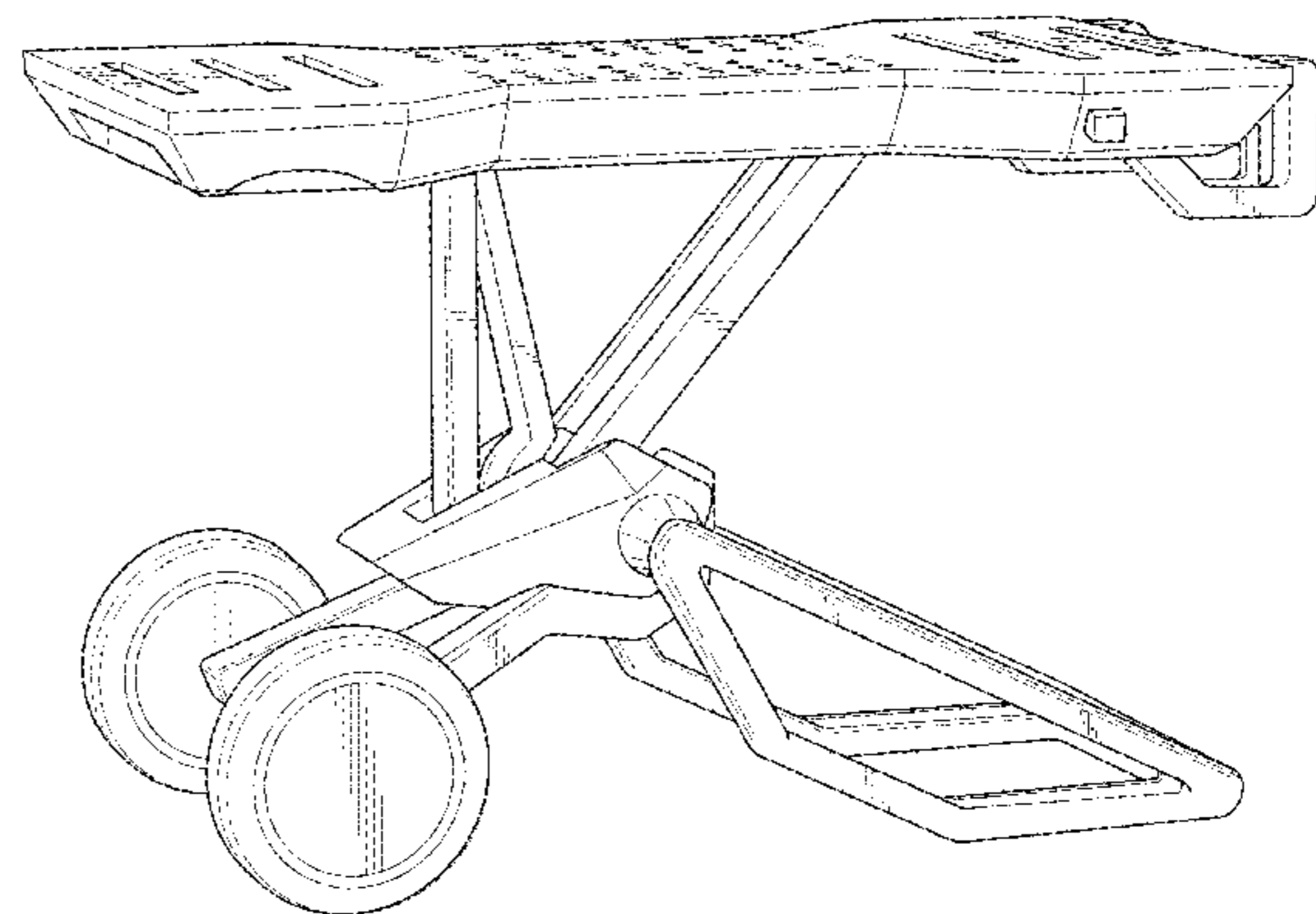
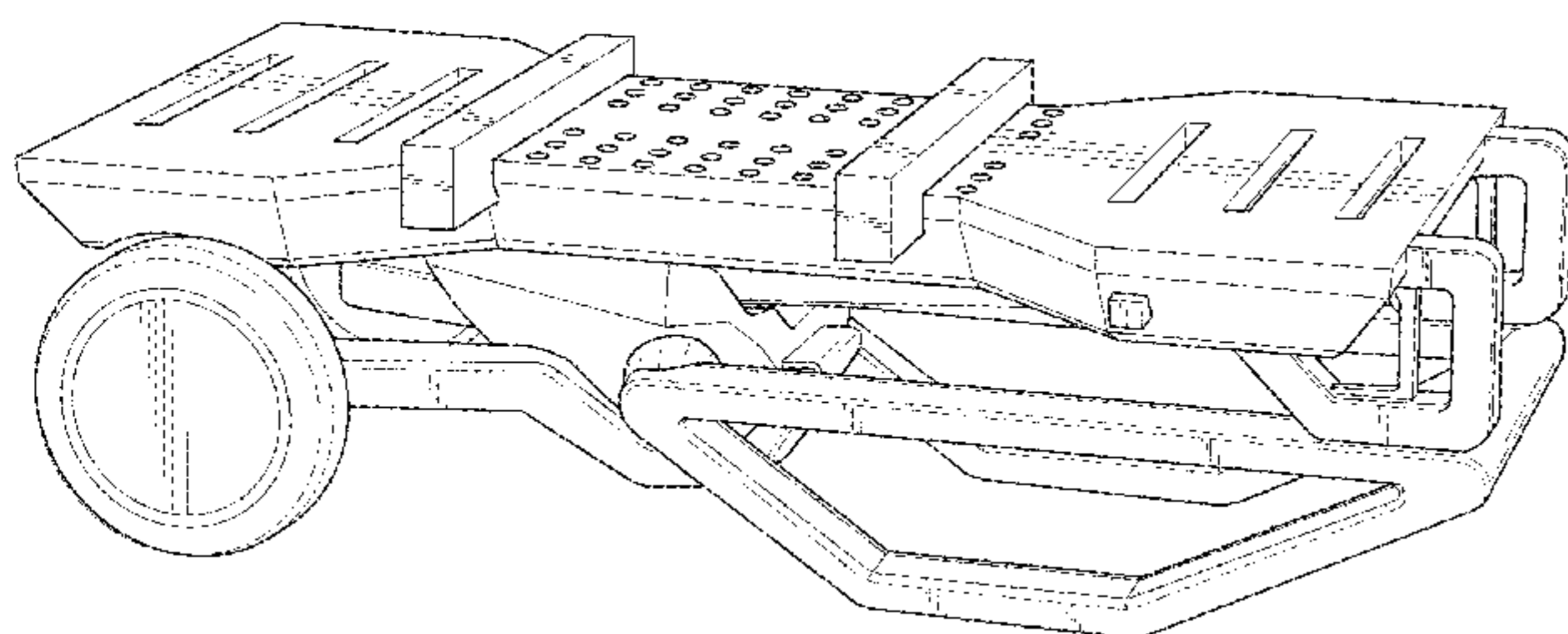
(57) **CLAIM**

The ornamental design for a tool stand, as shown and described.

DESCRIPTION

FIG. 1 is a perspective view of a tool stand in collapsed position, showing our new design;
 FIG. 2 is a side view thereof;
 FIG. 3 is an opposite side view thereof;
 FIG. 4 is an end view thereof;
 FIG. 5 is an opposite end view thereof;
 FIG. 6 is a top view thereof;
 FIG. 7 is a bottom view thereof; and,
 FIG. 8 is a perspective view thereof in raised position.
 The broken line in the figure drawings represents unclaimed portion of the design, which forms no part of the claim.

1 Claim, 7 Drawing Sheets



(56)

References Cited

U.S. PATENT DOCUMENTS

9,533,410	B2 *	1/2017	Chiang	B25H 1/0042
9,669,540	B2 *	6/2017	Chen	B25H 1/04
2006/0038383	A1 *	2/2006	Wu	B25H 1/04
				280/652
2006/0076756	A1 *	4/2006	Wu	B25H 1/04
				280/652
2006/0145045	A1 *	7/2006	Chisholm	B25H 1/04
				248/439
2008/0203259	A1 *	8/2008	Harrison	B25B 5/08
				248/316.1
2009/0007987	A1 *	1/2009	Thomas	B23D 47/025
				144/286.1
2012/0248279	A1 *	10/2012	Eichhorn	B25H 1/04
				248/440.1
2012/0313351	A1 *	12/2012	Chen	B25H 1/04
				280/652
2013/0118818	A1 *	5/2013	Smith	B25H 1/04
				180/19.1
2015/0016875	A1 *	1/2015	Eminovic	H02B 1/052
				403/322.4
2016/0167217	A1 *	6/2016	Chiang	B25H 1/0042
				248/432
2016/0354920	A1 *	12/2016	Ursell	B25H 1/04
2017/0144326	A1 *	5/2017	Hu	B27L 7/06

OTHER PUBLICATIONS

https://www.youtube.com/watch?v=_0Pud7vaKC8—Published Mar. 24, 2015.*

<https://www.homedepot.com/b/Tools-Power-Tool-Accessories-Tool-Stands/N-5yc1vZc2jn>—Retrieved May 3, 2018.*

* cited by examiner

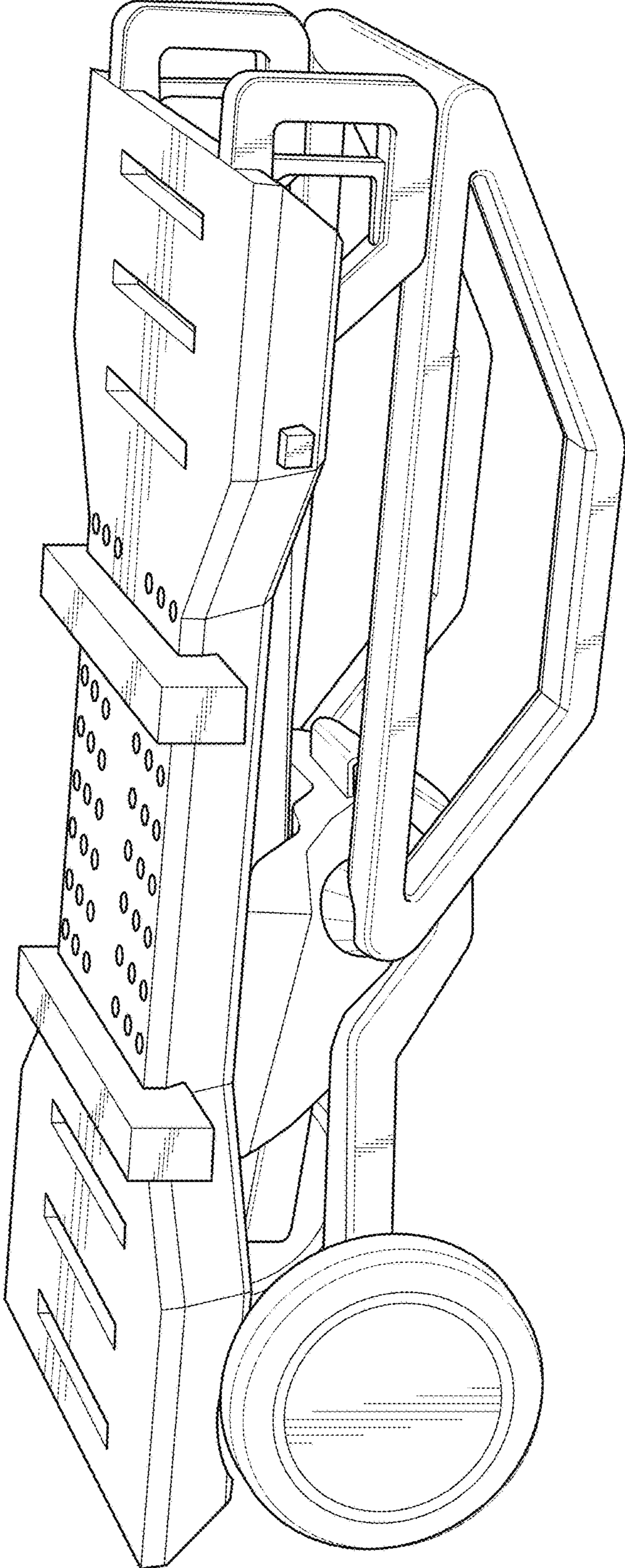


FIG. 1

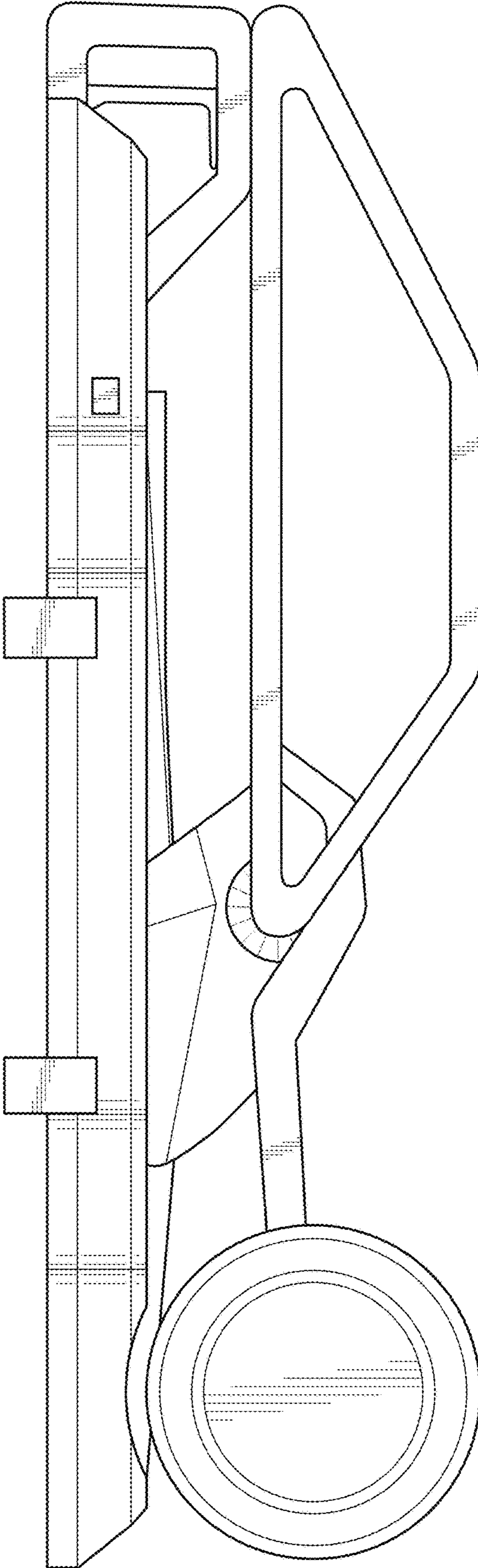


FIG. 2

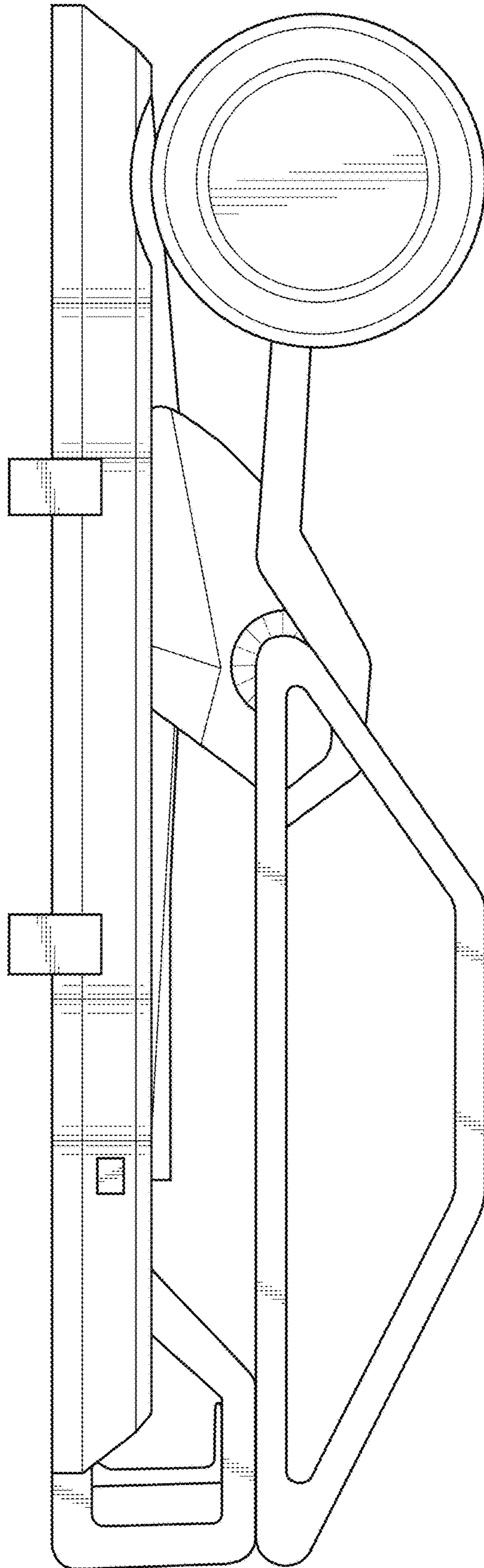


FIG. 3

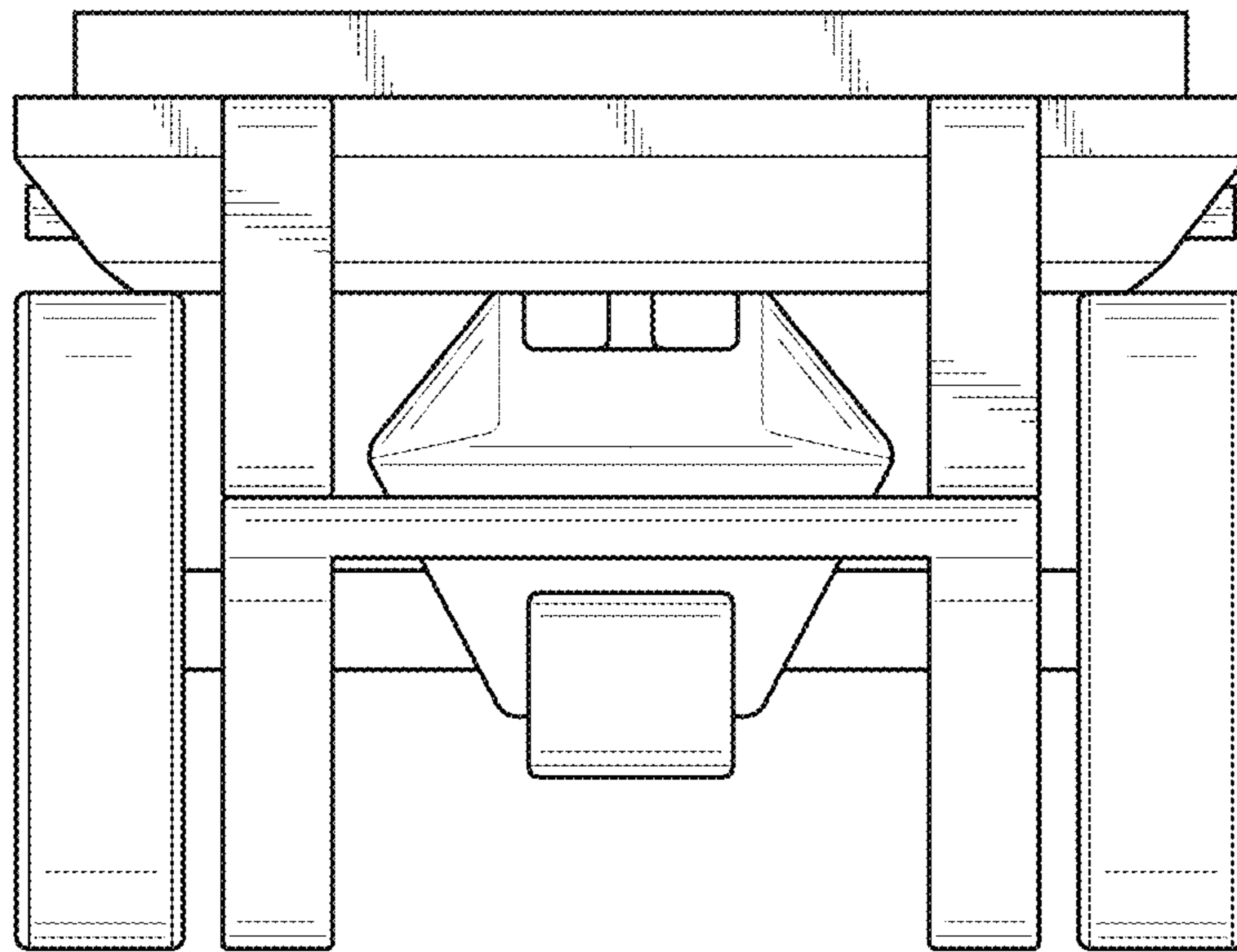


FIG. 4

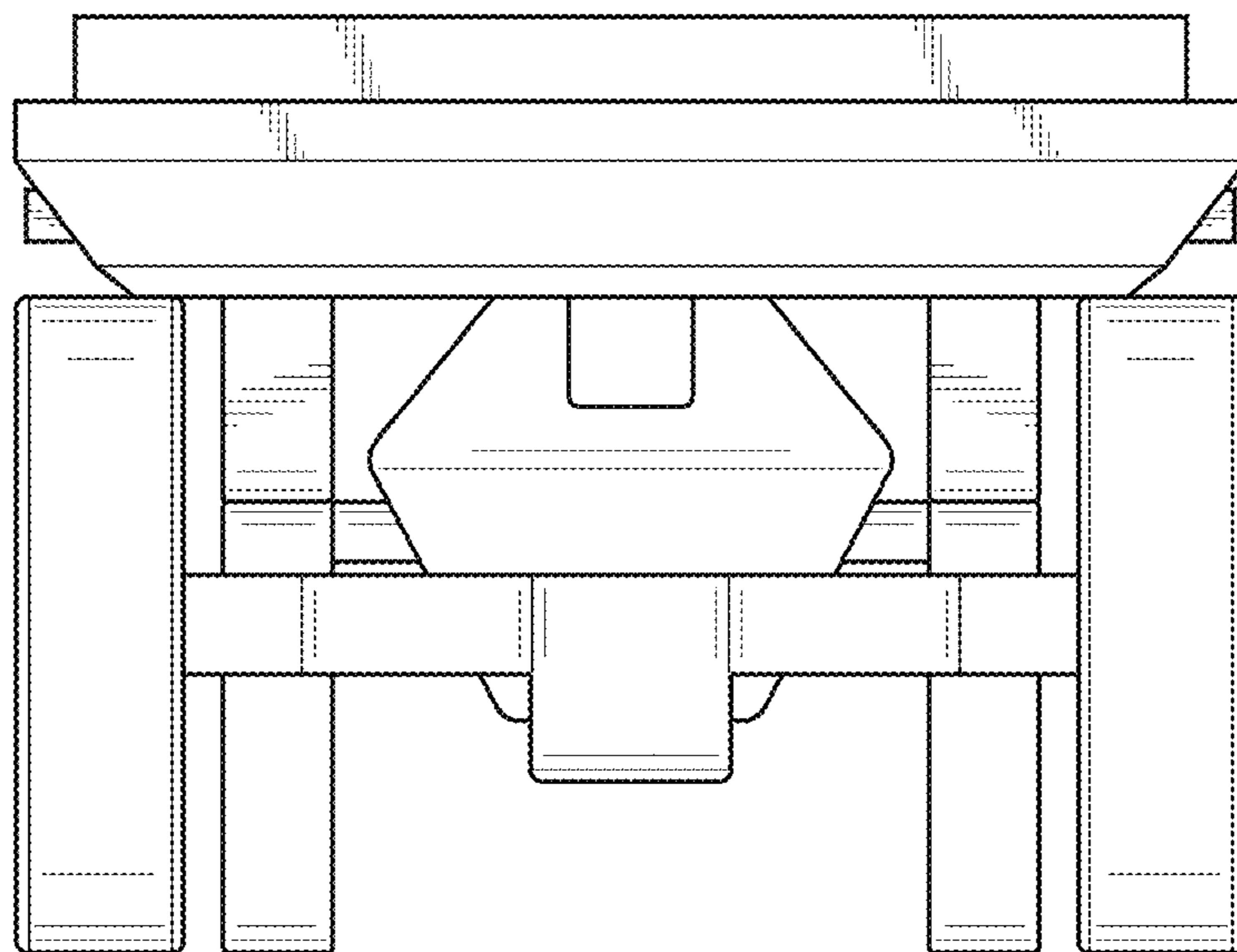


FIG. 5

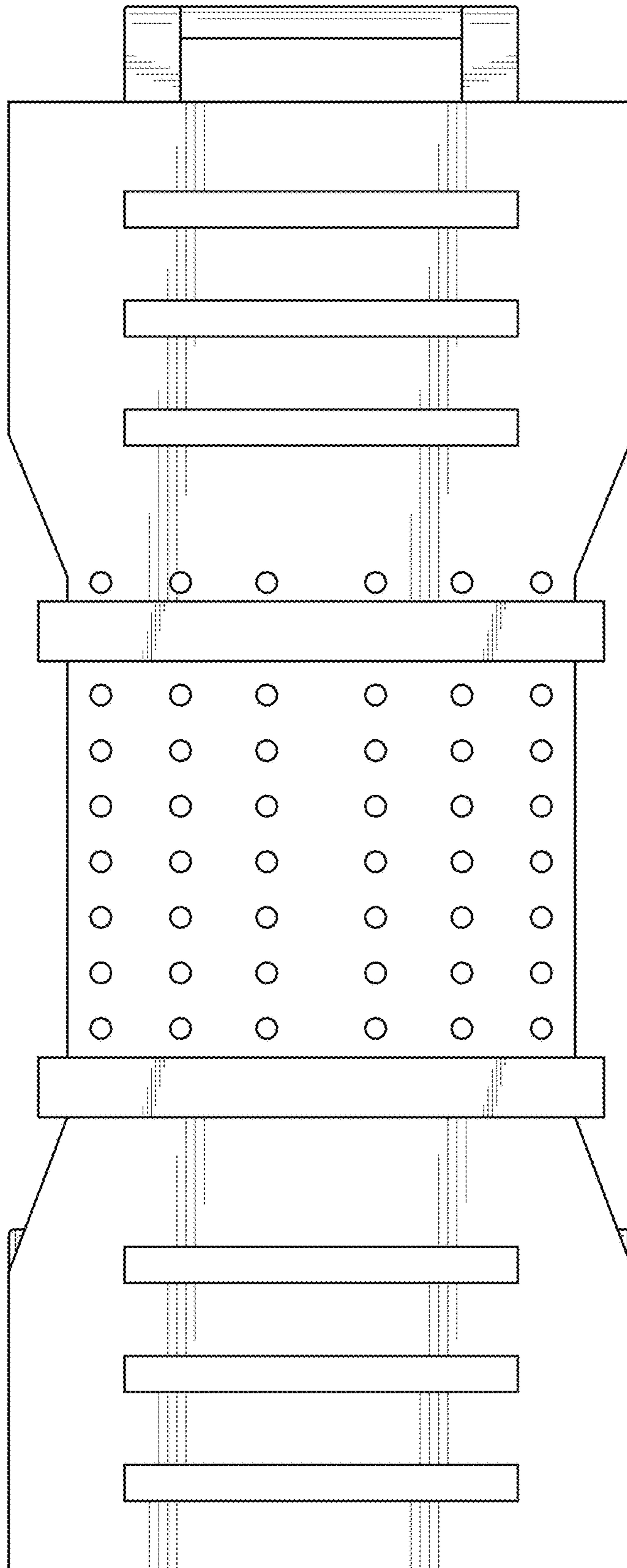


FIG. 6

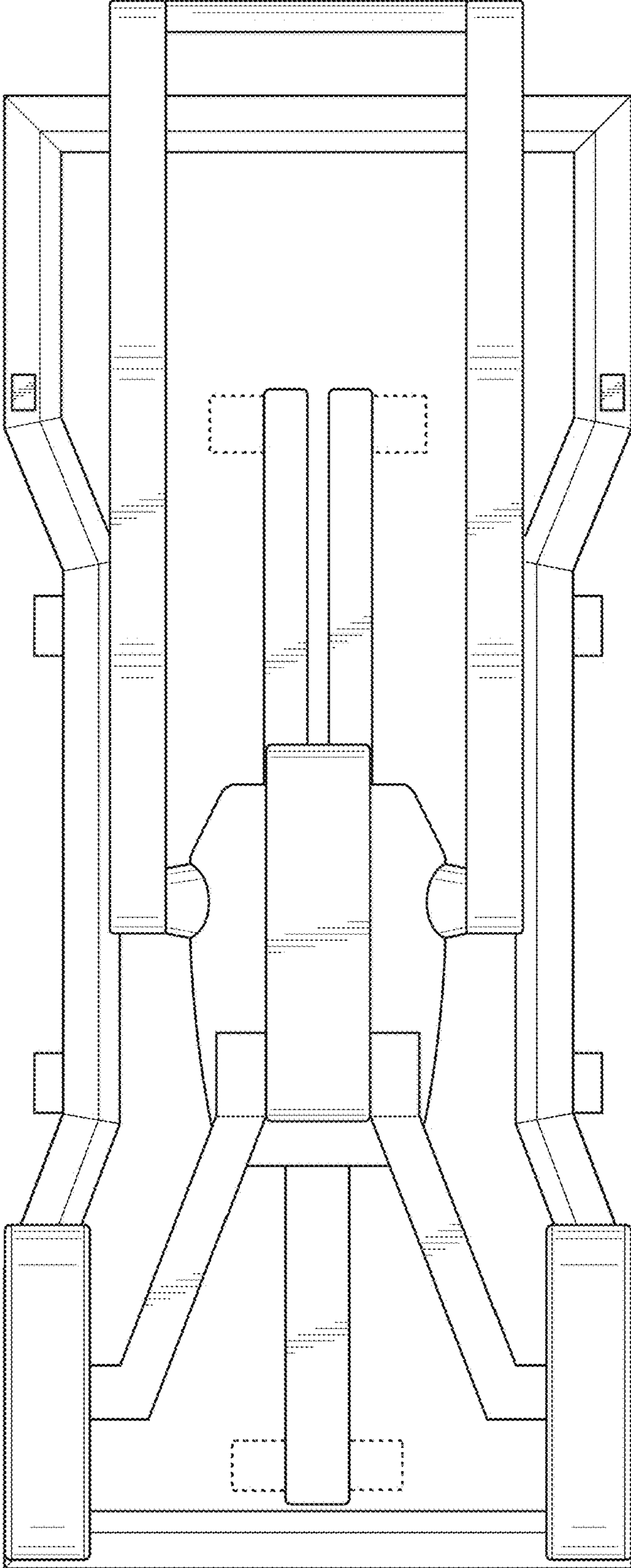


FIG. 7

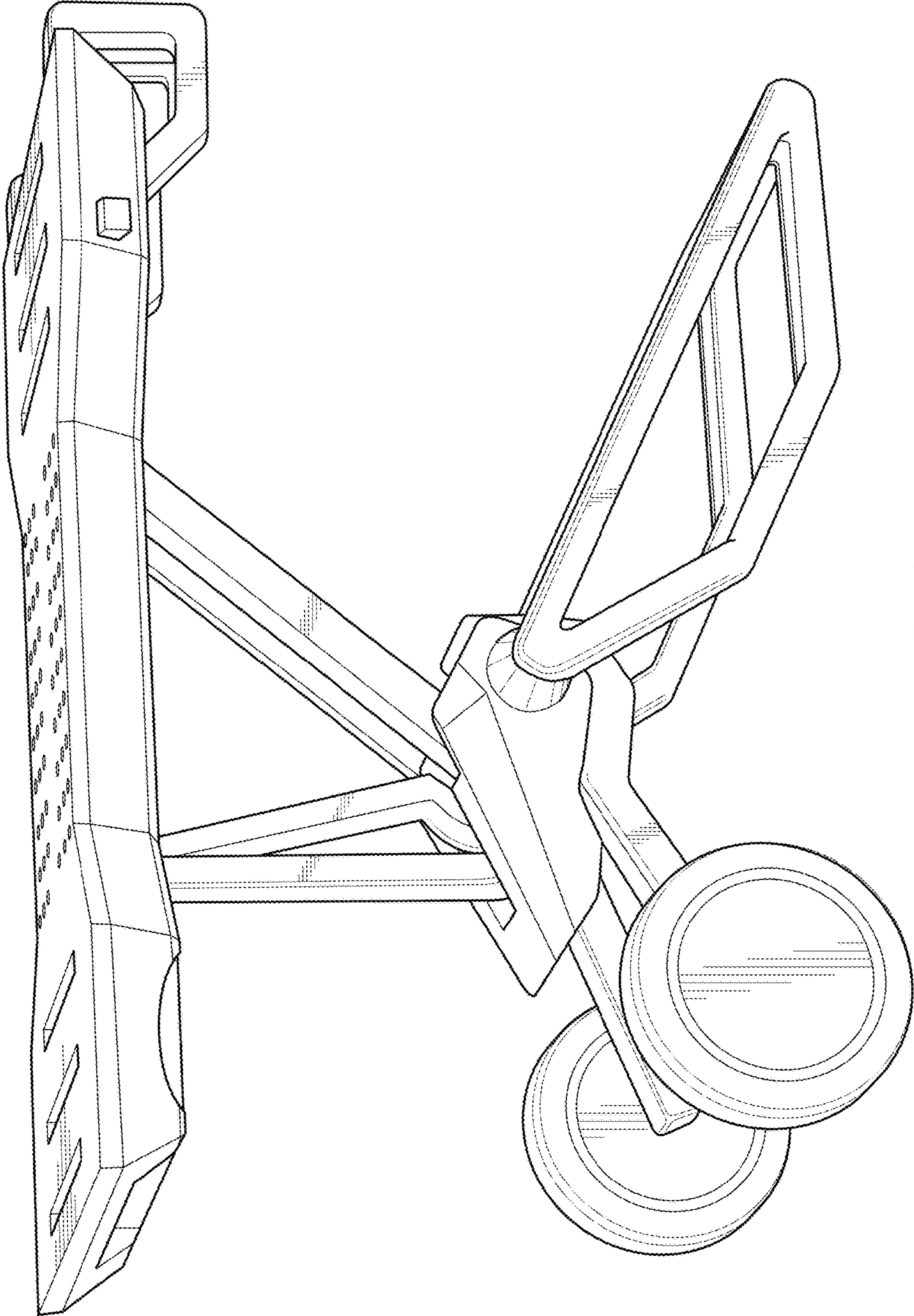


FIG. 8