



US00D830431S

(12) **United States Design Patent**  
**Gharst**

(10) **Patent No.:** **US D830,431 S**

(45) **Date of Patent:** **\*\* Oct. 9, 2018**

- (54) **POWER CLEAT BENDER**
- (71) Applicant: **Thomas L. Gharst**, Poway, CA (US)
- (72) Inventor: **Thomas L. Gharst**, Poway, CA (US)
- (\*\*) Term: **15 Years**
- (21) Appl. No.: **29/630,248**
- (22) Filed: **Dec. 20, 2017**
- (51) **LOC (11) Cl.** ..... **15-09**
- (52) **U.S. Cl.**  
USPC ..... **D15/123**
- (58) **Field of Classification Search**  
USPC ..... D15/122, 123, 128  
CPC ..... B21D 5/042; B21D 5/045; B21D 19/12  
See application file for complete search history.

- 4,112,731 A \* 9/1978 Anderson ..... B21D 5/00  
72/320
- 4,185,487 A \* 1/1980 Merideth ..... B21D 5/045  
72/315
- 4,242,898 A \* 1/1981 Salvagnini ..... B21D 5/04  
72/306
- 4,365,500 A \* 12/1982 Klukow ..... B21D 5/042  
72/319
- 4,608,852 A \* 9/1986 Kogure ..... B21D 5/02  
72/389.3
- 4,648,786 A \* 3/1987 Sakurai ..... B21D 43/05  
198/468.3
- 5,661,996 A \* 9/1997 Welty ..... B21D 5/002  
72/31.01

\* cited by examiner

*Primary Examiner* — Patricia A Palasik

(74) *Attorney, Agent, or Firm* — Nydegger & Associates

(56) **References Cited**

U.S. PATENT DOCUMENTS

- 3,161,223 A \* 12/1964 Marsh ..... B21D 5/042  
72/297
- 3,598,073 A \* 8/1971 St. Denis ..... B21D 39/02  
29/243.5
- 3,731,514 A \* 5/1973 Deibele, Jr. .... B21D 5/045  
72/306
- 3,786,666 A \* 1/1974 York, Jr. .... B21D 5/042  
72/305
- 3,948,074 A \* 4/1976 Stalzer ..... B21D 5/042  
72/312
- 3,994,152 A \* 11/1976 Wolters ..... B21D 5/045  
72/315

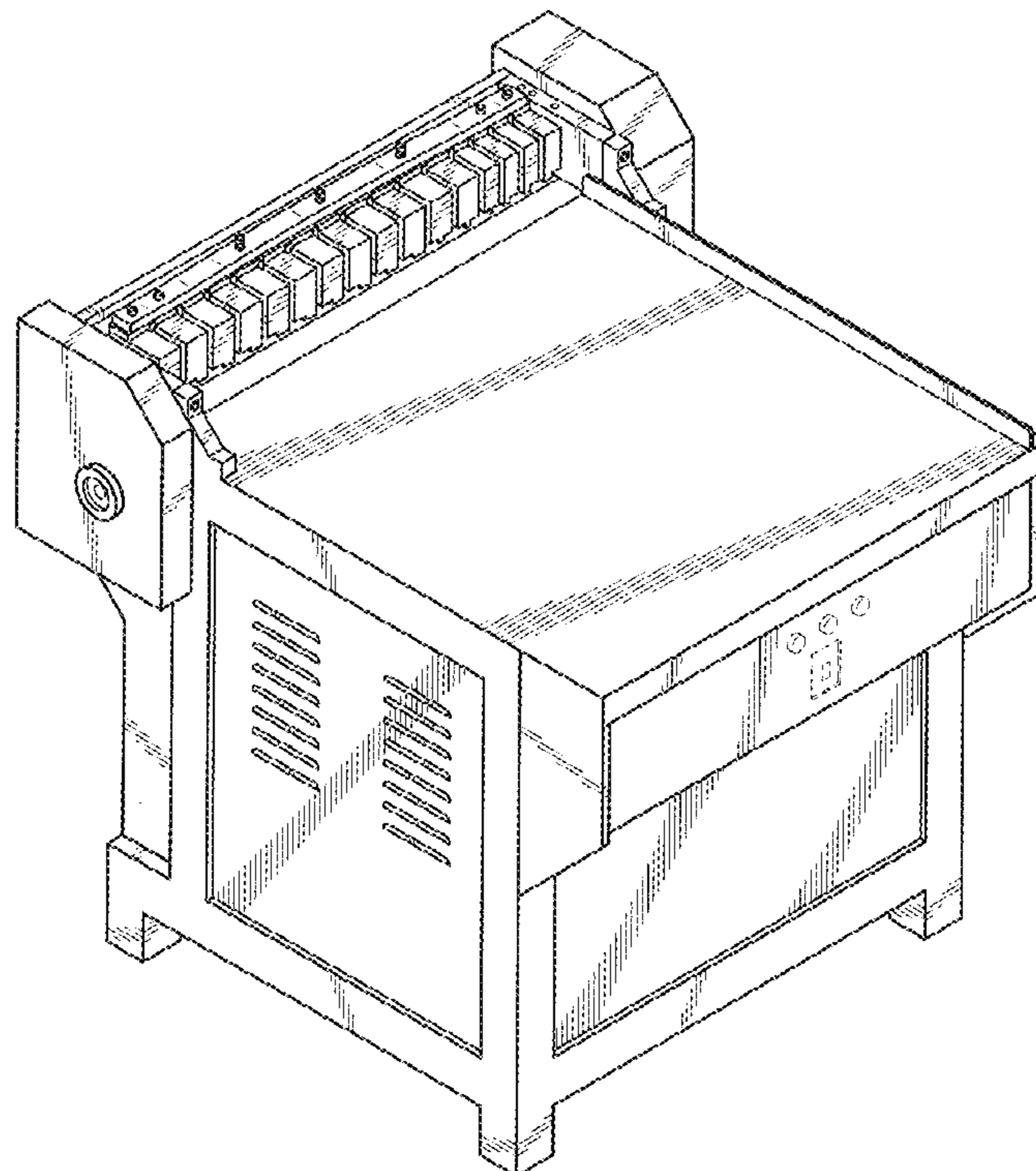
(57) **CLAIM**

The ornamental design for a power cleat bender, as shown.

**DESCRIPTION**

FIG. 1 is a perspective view of the power cleat bender in accordance with the present invention; FIG. 2 is a front view thereof; FIG. 3 is a left side view thereof; FIG. 4 is a right side view thereof; FIG. 5 is a top view thereof; and, FIG. 6 is a rear view thereof.

**1 Claim, 6 Drawing Sheets**



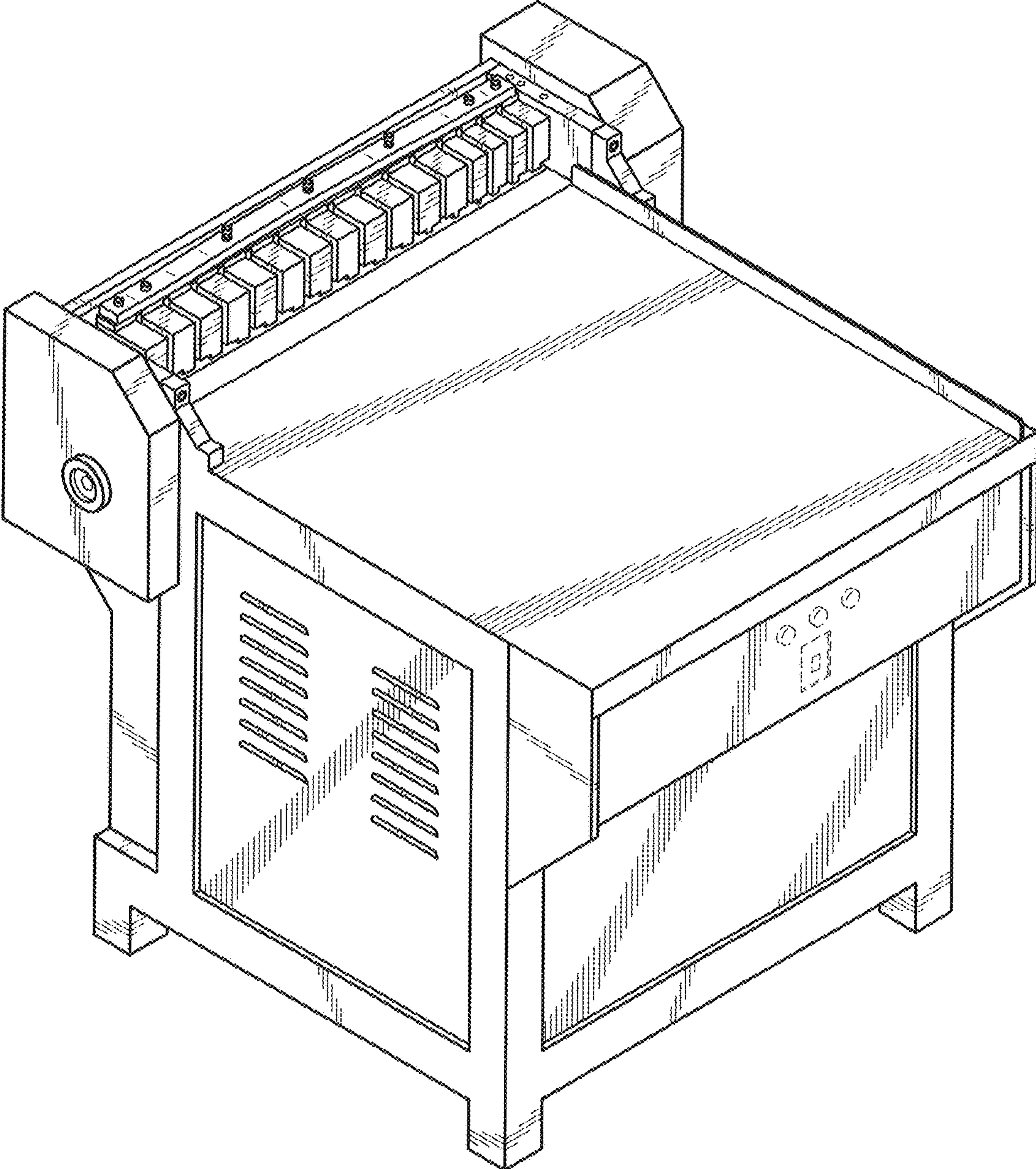


FIG. 1

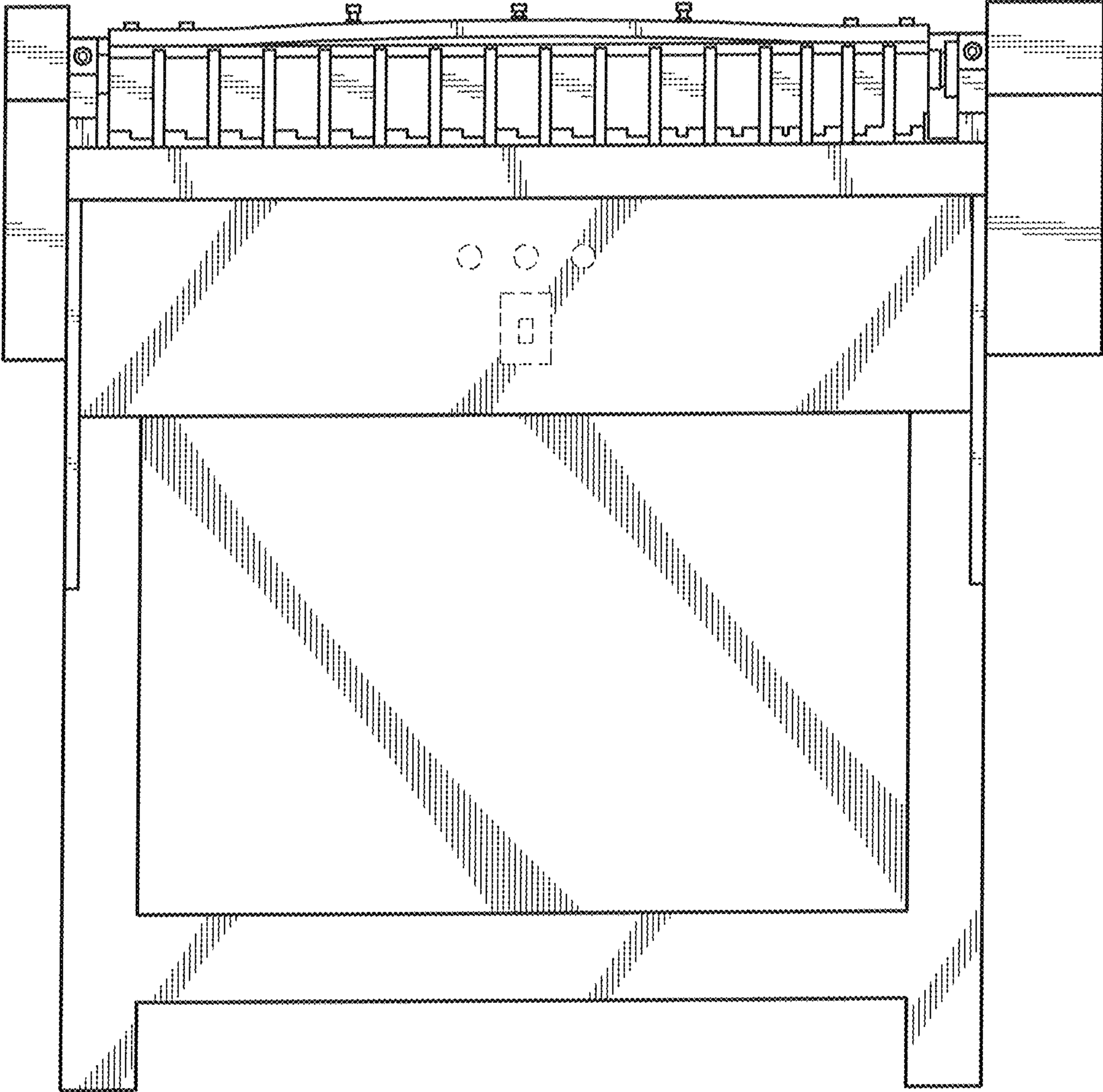
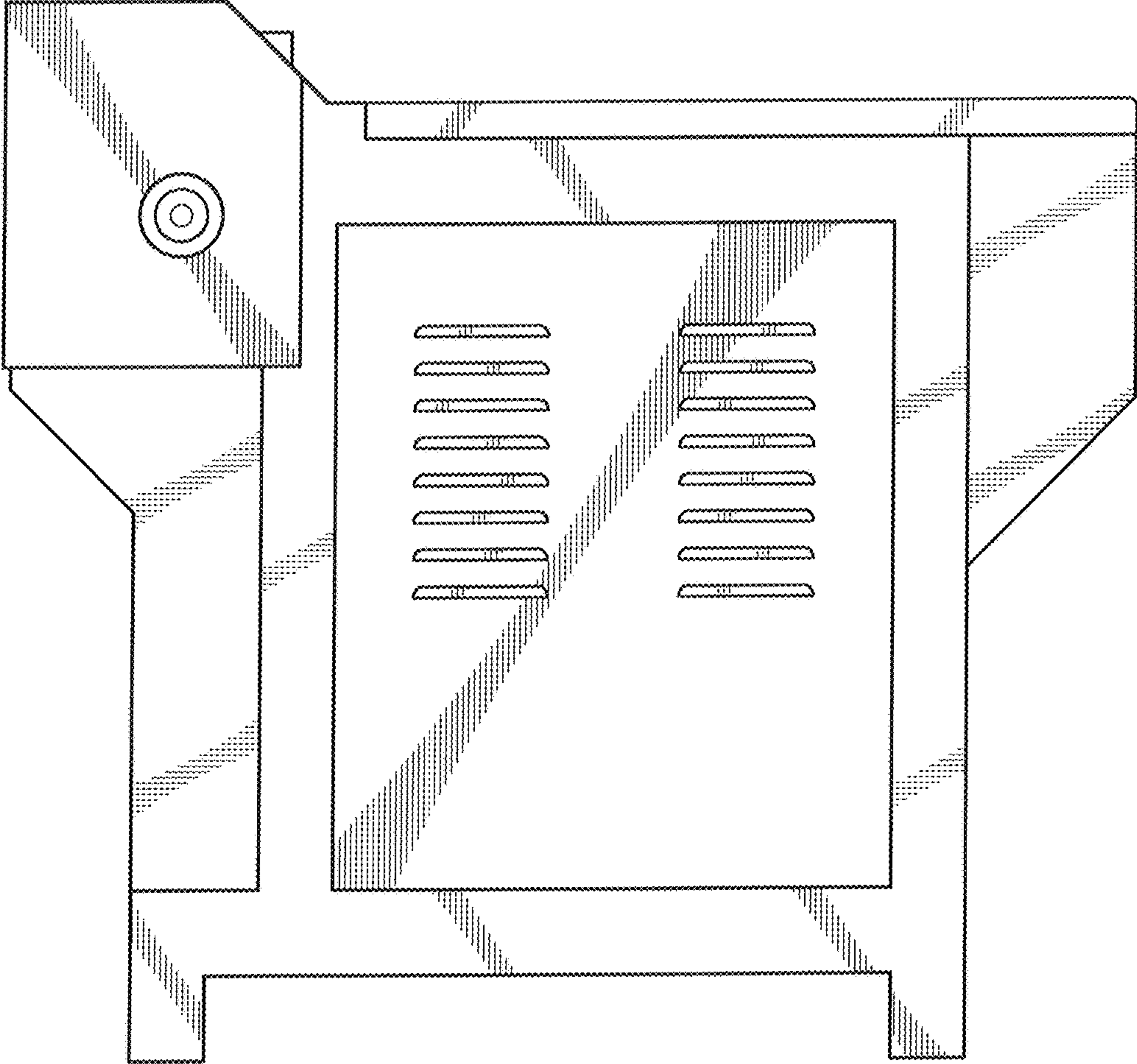


FIG. 2



*FIG. 3*

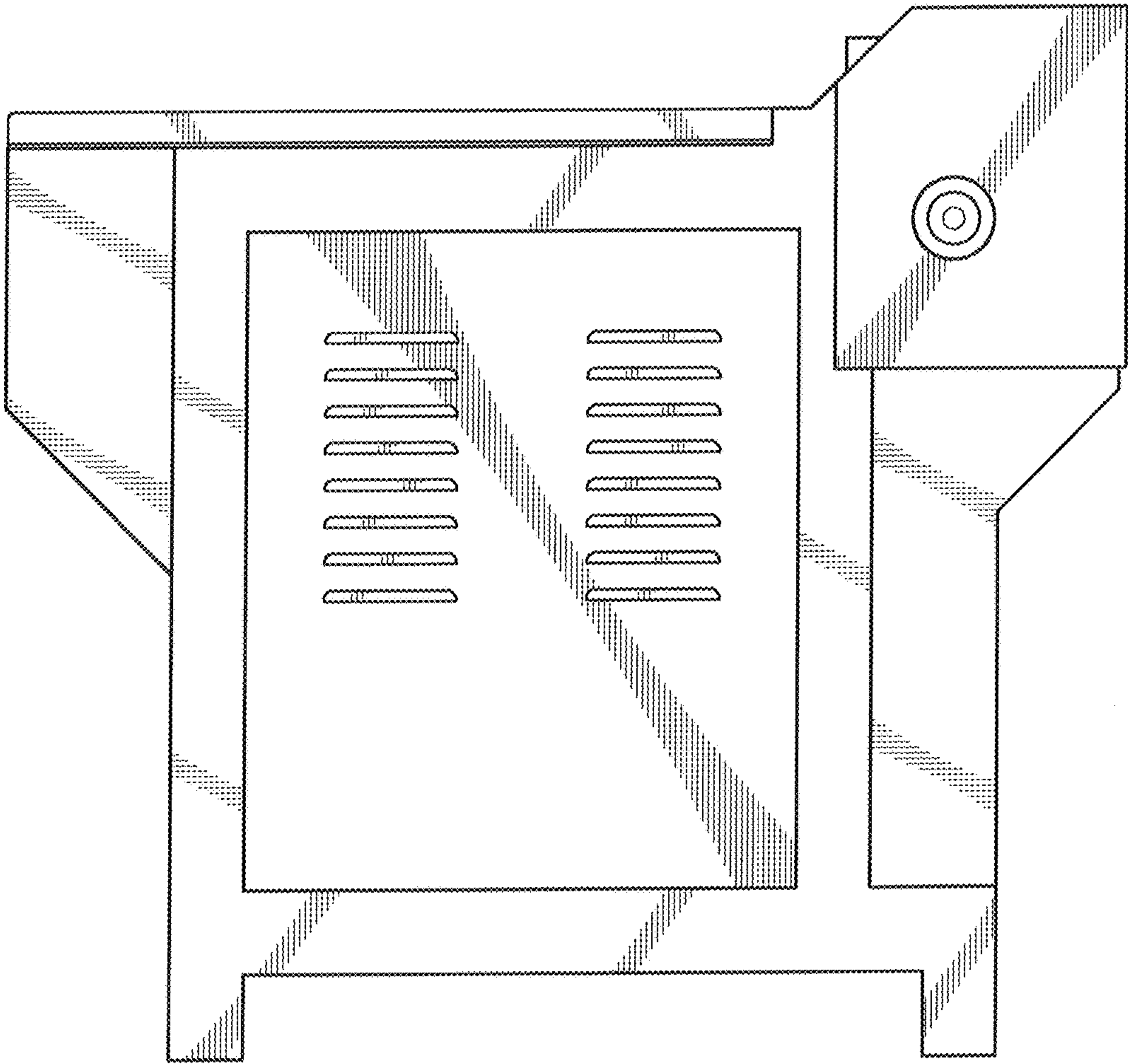
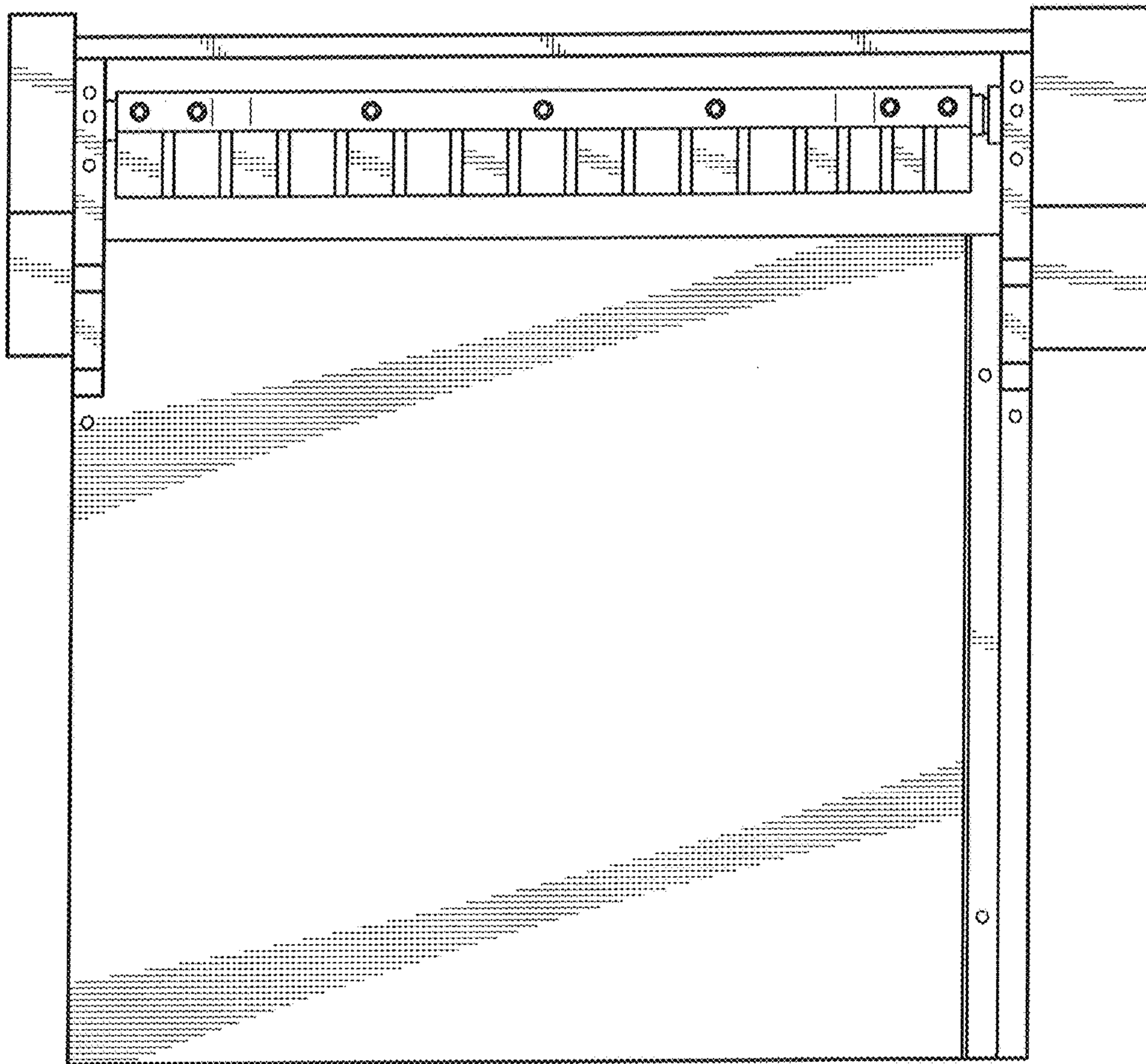
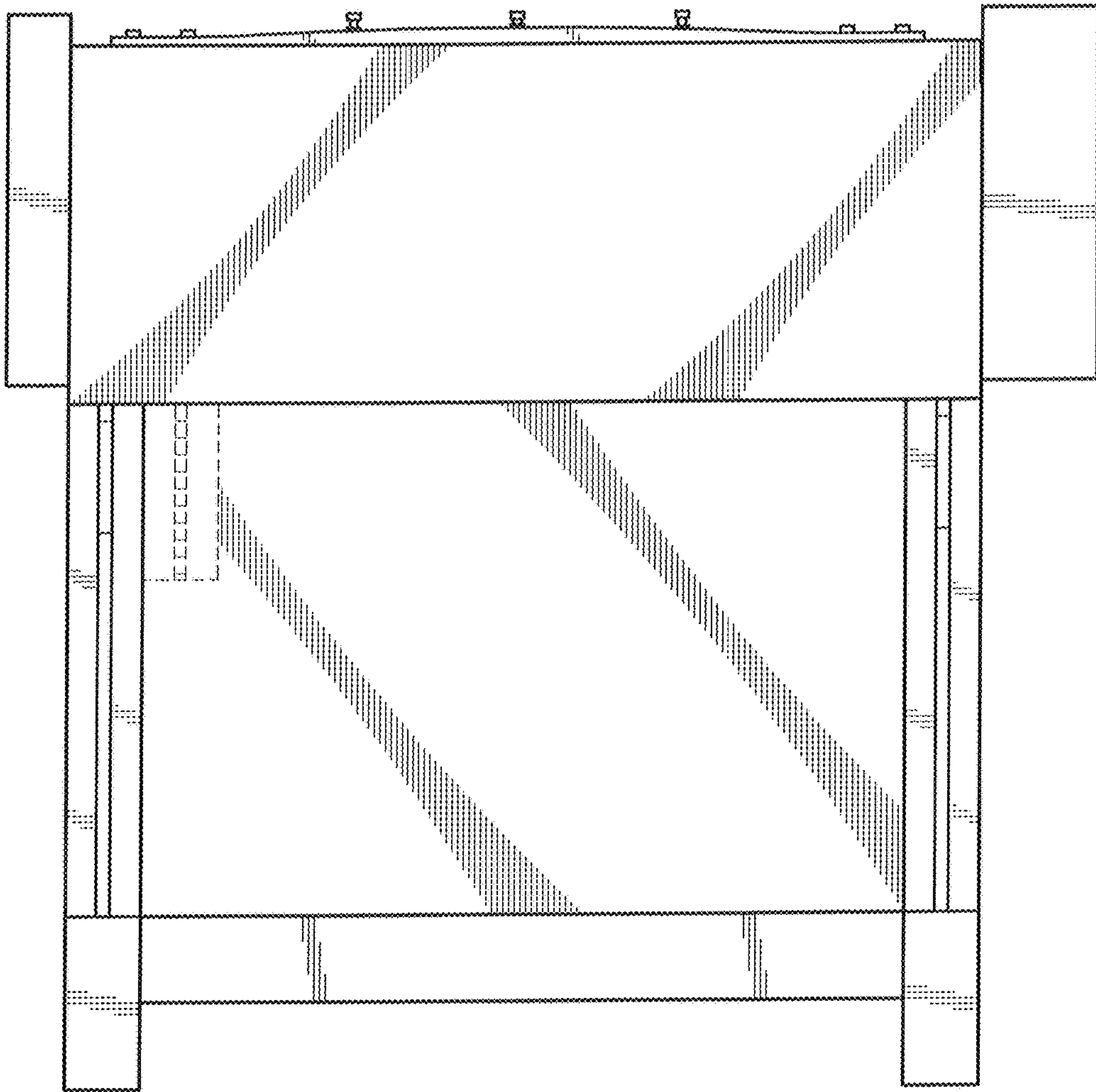


FIG. 4



*FIG. 5*



*FIG. 6*