



US00D830430S

(12) **United States Design Patent** (10) **Patent No.:** **US D830,430 S**  
**Sherman et al.** (45) **Date of Patent:** **\*\* Oct. 9, 2018**

(54) **ICE STORAGE MACHINE**

(56) **References Cited**

(71) Applicant: **Beyond Zero, Inc.**, Louisville, KY (US)  
(72) Inventors: **Jason S. Sherman**, Louisville, KY (US); **D. Paul Haviland**, Louisville, KY (US); **Sumner E. P. Adams**, Corydon, IN (US); **Grayson P. Newland**, New Albany, IN (US); **Robert L. Lewis, Jr.**, Louisville, KY (US)

U.S. PATENT DOCUMENTS

D423,861 S	*	5/2000	Graffius	.....	D7/305
D642,851 S	*	8/2011	Yui	.....	D7/307
D669,727 S	*	10/2012	Pagano	.....	D7/307
D714,847 S	*	10/2014	Broen	.....	D15/89
D737,343 S	*	8/2015	Rinderer	.....	D15/81
D738,407 S	*	9/2015	Rinderer	.....	D15/81
D745,576 S	*	12/2015	Sherman	.....	D15/80
D793,457 S	*	8/2017	Kim	.....	D15/79

\* cited by examiner

*Primary Examiner* — Ian Simmons  
*Assistant Examiner* — Khawaja Anwar  
(74) *Attorney, Agent, or Firm* — Christopher & Weisberg, P.A.

(73) Assignee: **Beyond Zero, Inc.**, Louisville, KY (US)

(\*\*) Term: **15 Years**

(57) **CLAIM**

The ornamental design for an ice storage machine, as shown.

(21) Appl. No.: **29/563,259**

**DESCRIPTION**

(22) Filed: **May 3, 2016**

(51) **LOC (11) Cl.** ..... **15-07**

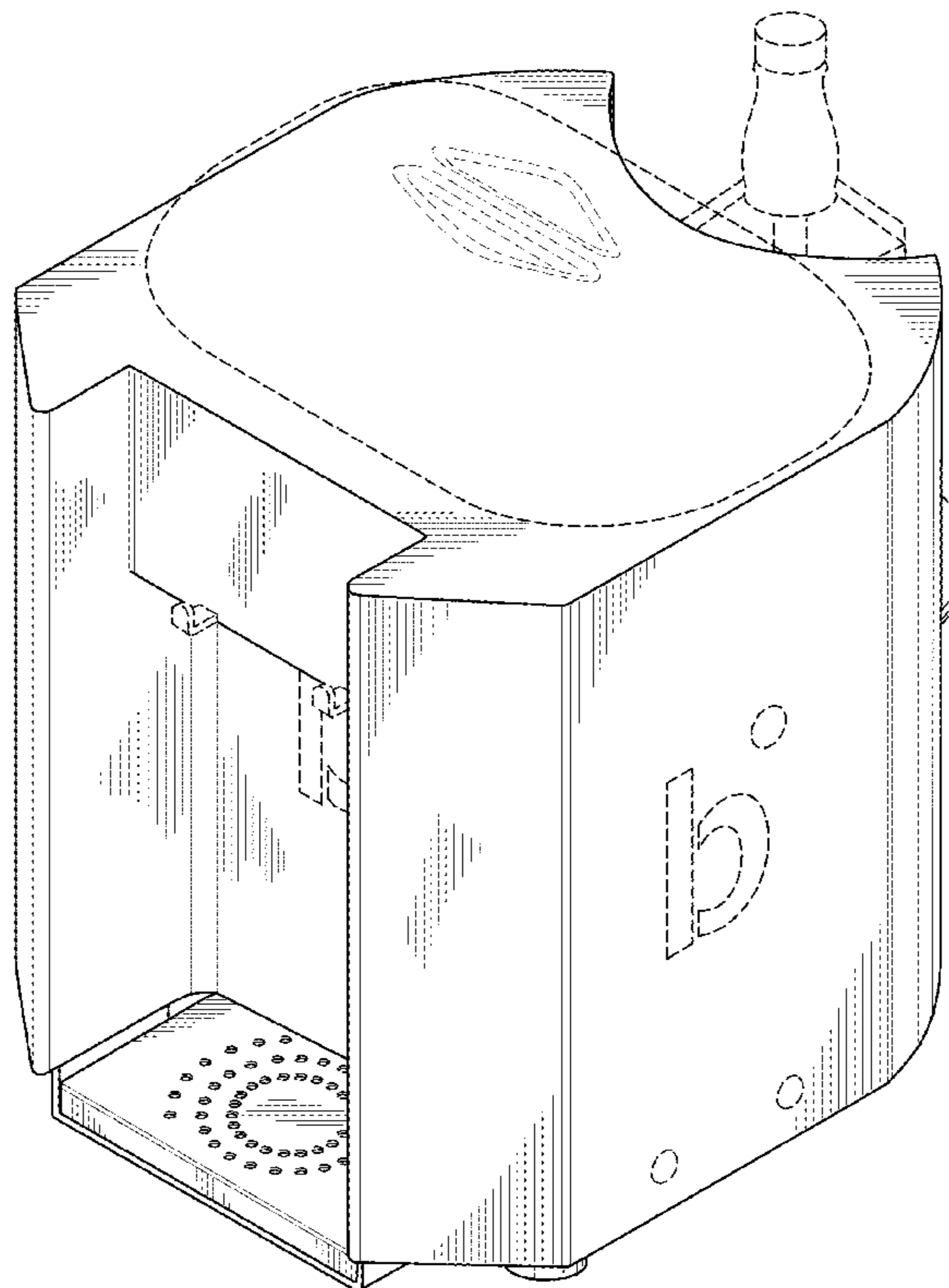
(52) **U.S. Cl.**  
USPC ..... **D15/80**

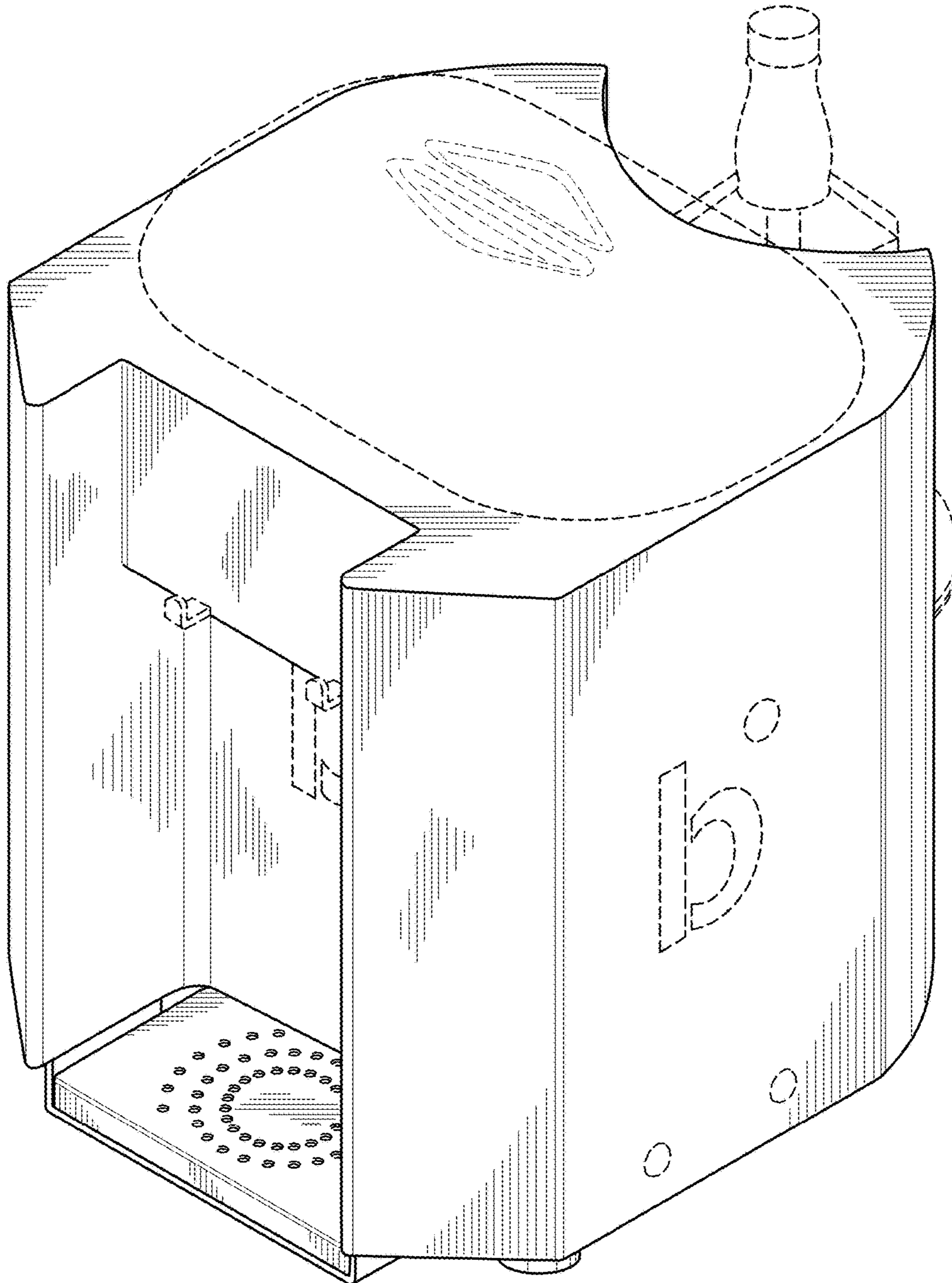
(58) **Field of Classification Search**  
USPC ..... D15/79-91; D7/306-608  
CPC .. F25C 5/002; F25C 5/005; F25C 5/12; F25C 1/04; F25C 2500/02; F25C 2500/08; F25C 2700/02; F25C 5/02; F25C 5/046; F25C 5/187

FIG. 1 is front perspective view of the ice storage machine  
FIG. 2 is a front view thereof;  
FIG. 3 is a rear view thereof;  
FIG. 4 is a left side view thereof;  
FIG. 5 is a right side view thereof;  
FIG. 6 is a top view thereof; and,  
FIG. 7 is a bottom view thereof.  
The broken lines shown in the drawings represent unclaimed environment and form no part of the claimed design.

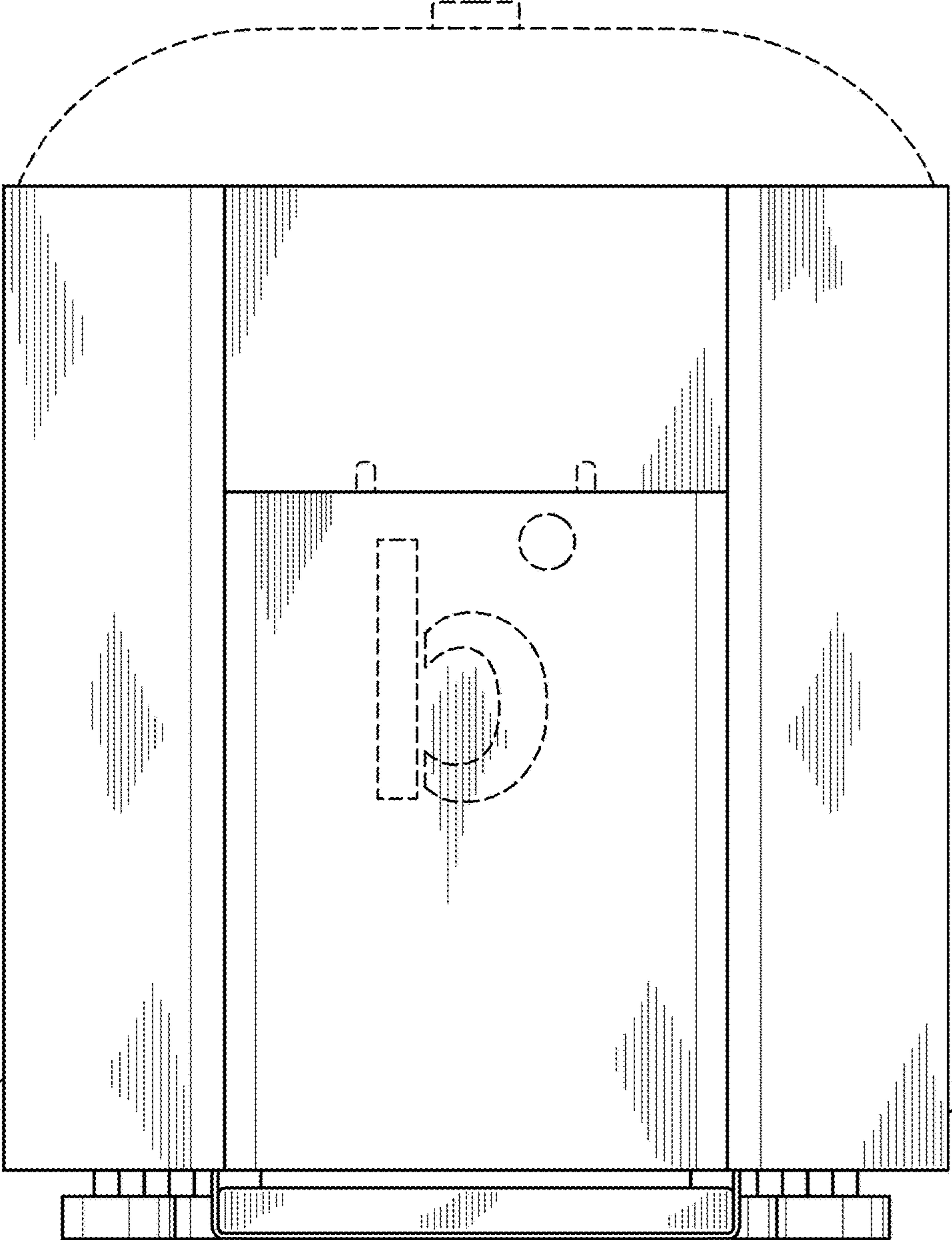
See application file for complete search history.

**1 Claim, 7 Drawing Sheets**

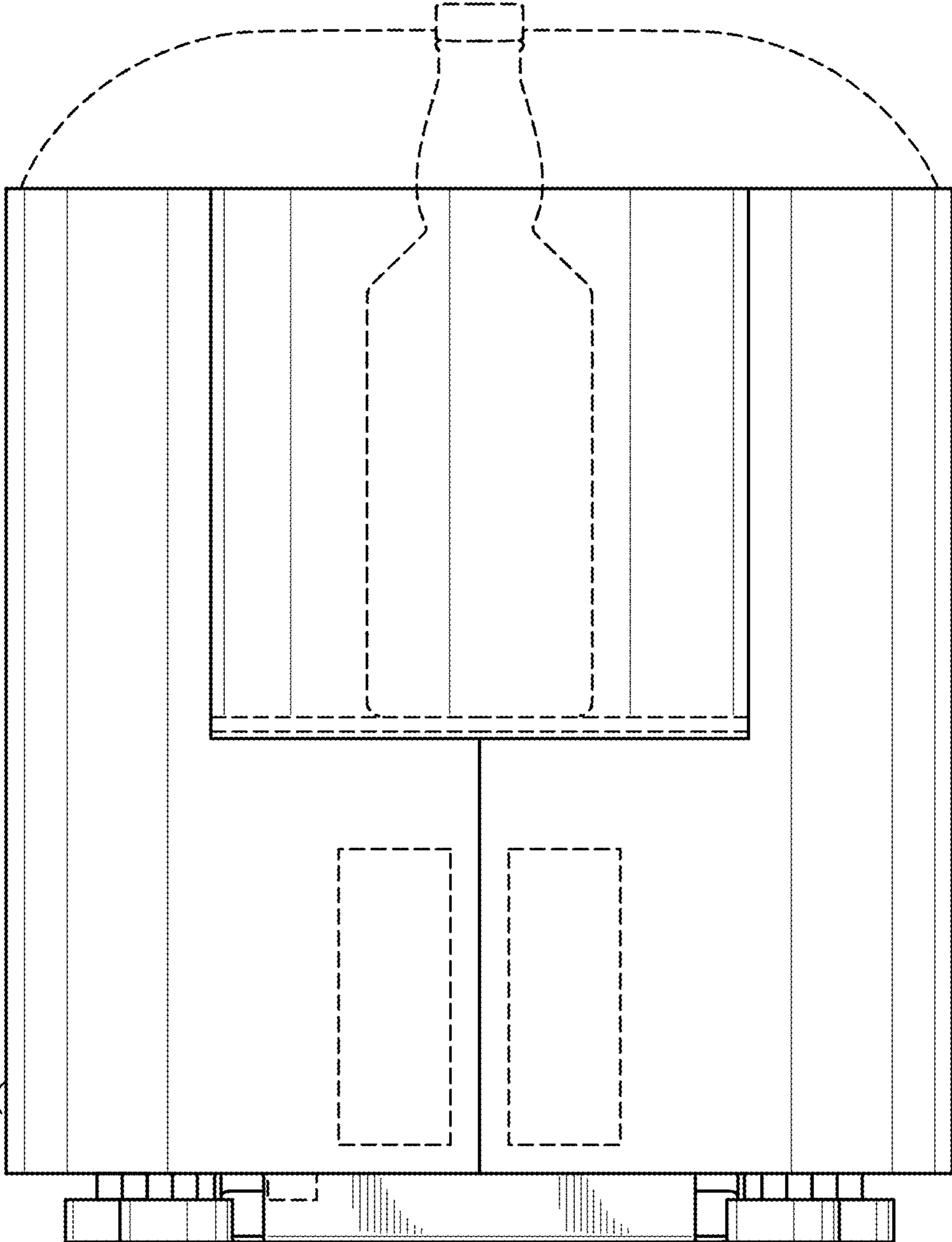




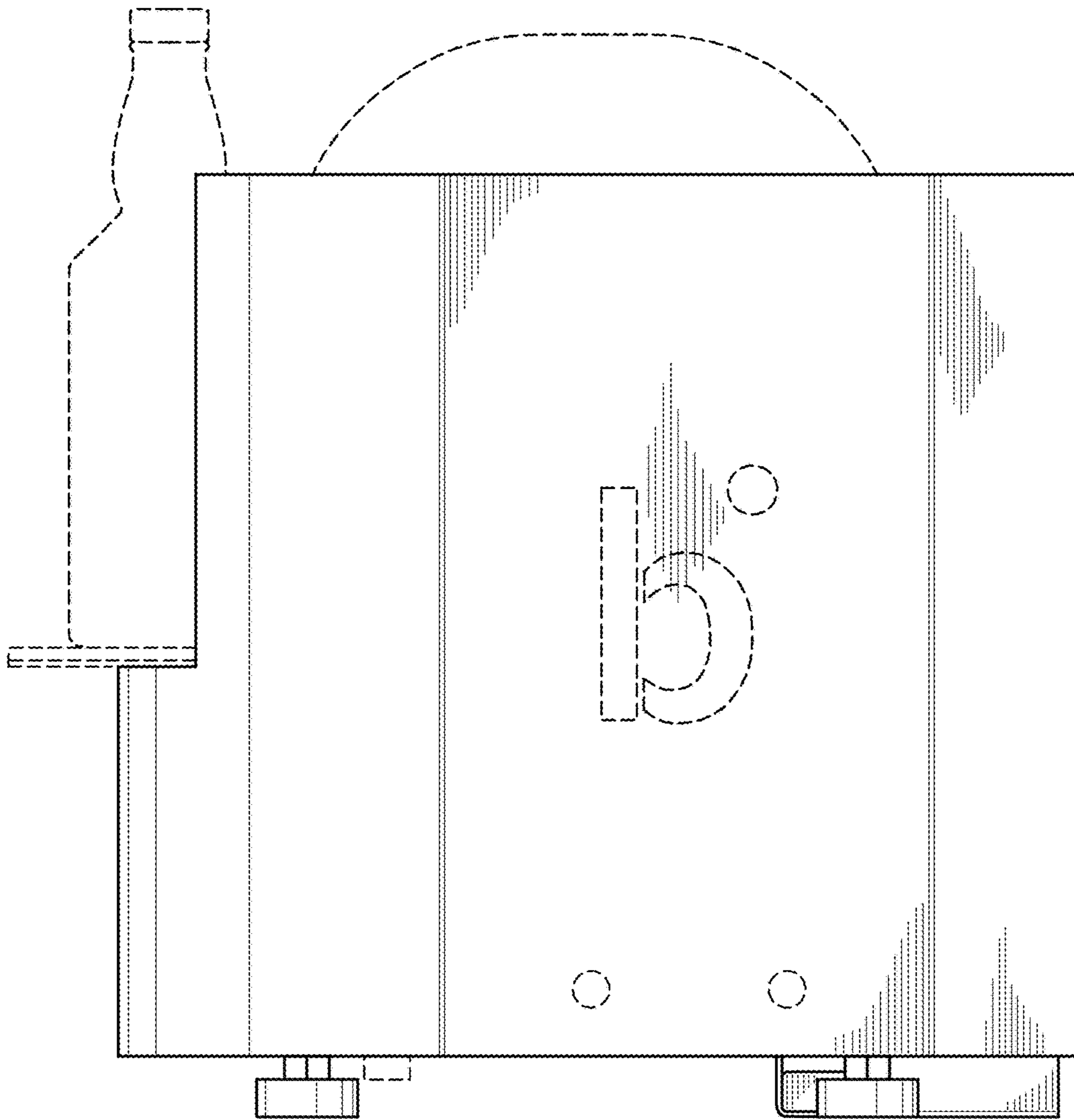
**FIG. 1**



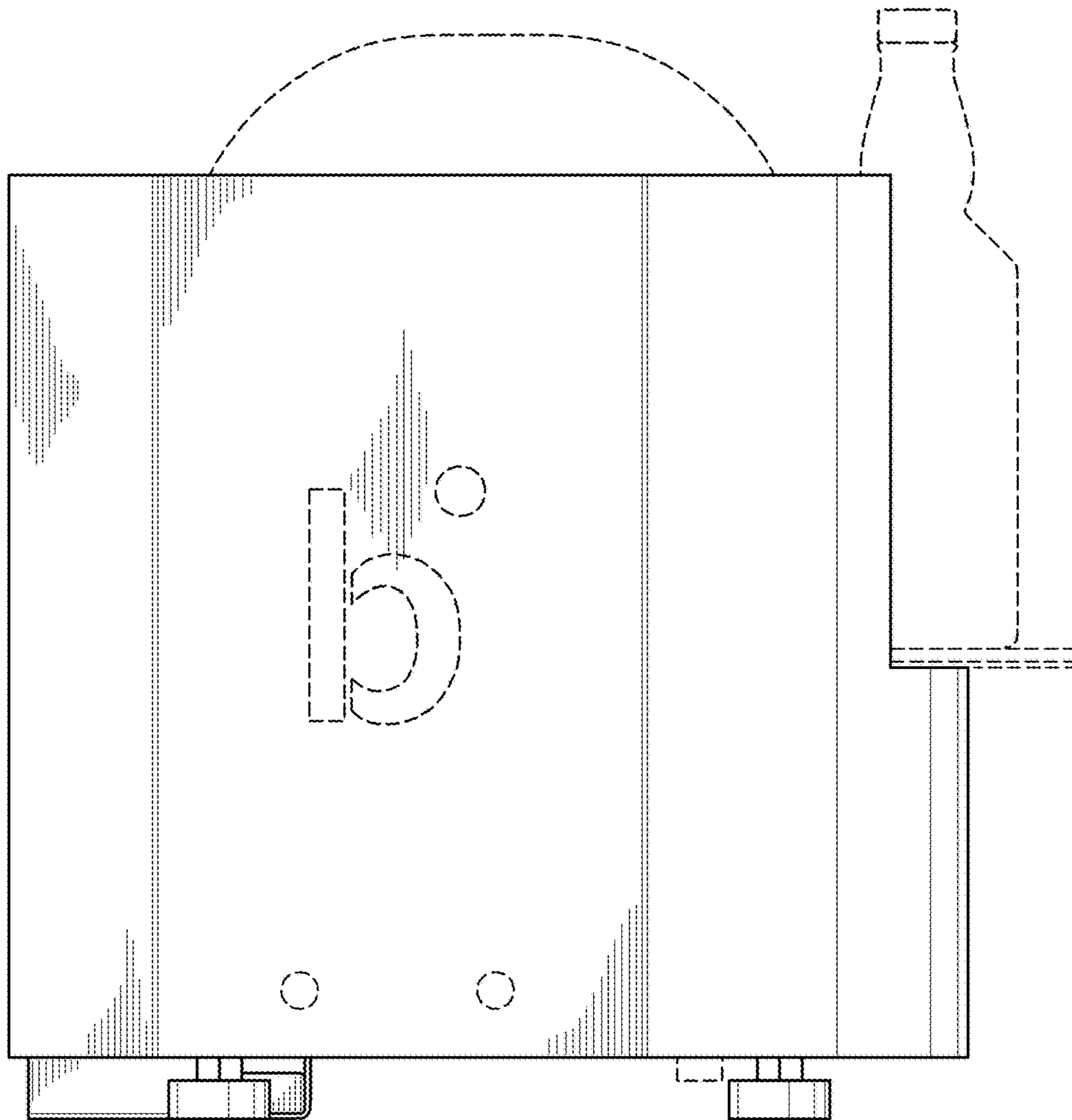
**FIG. 2**



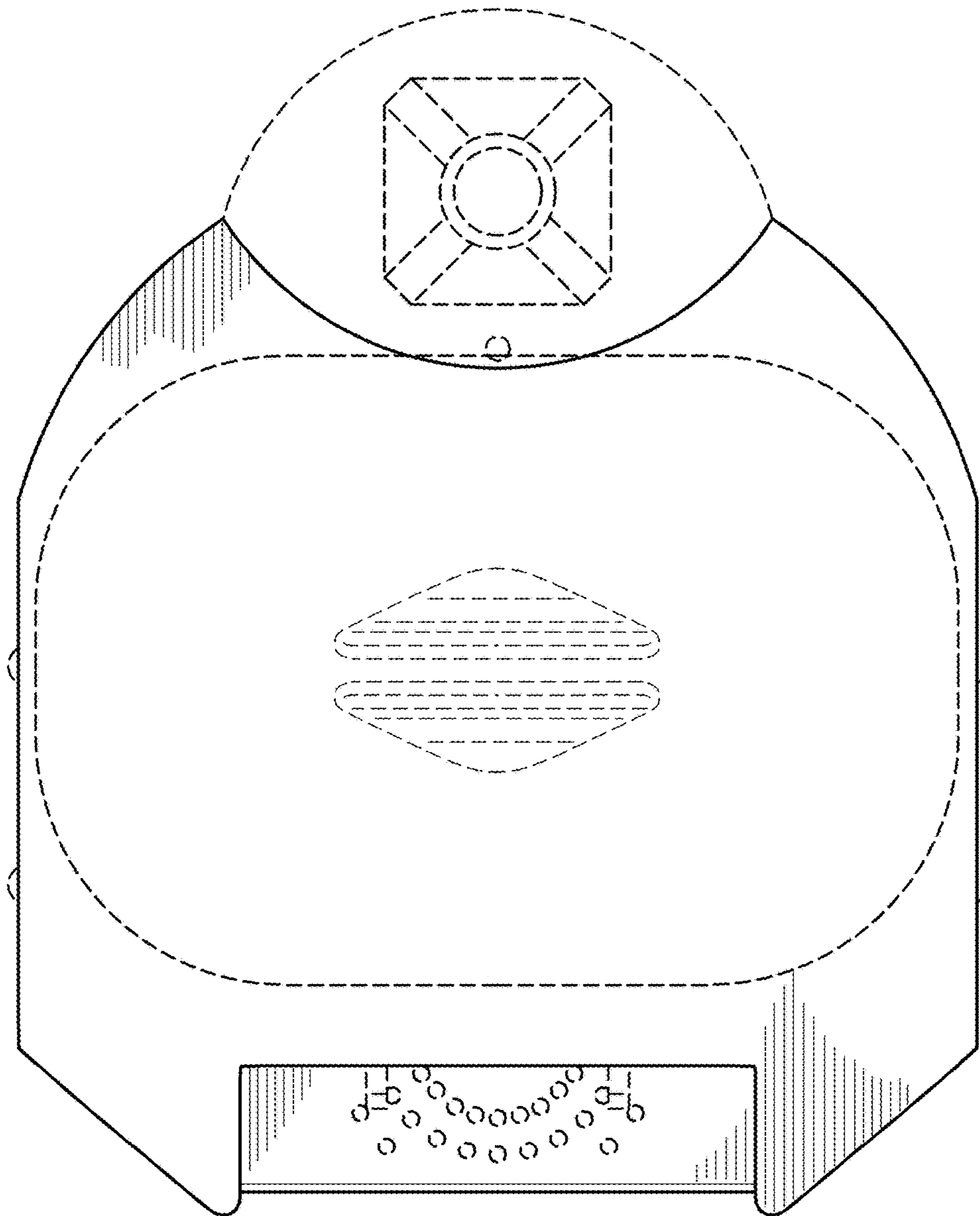
**FIG. 3**



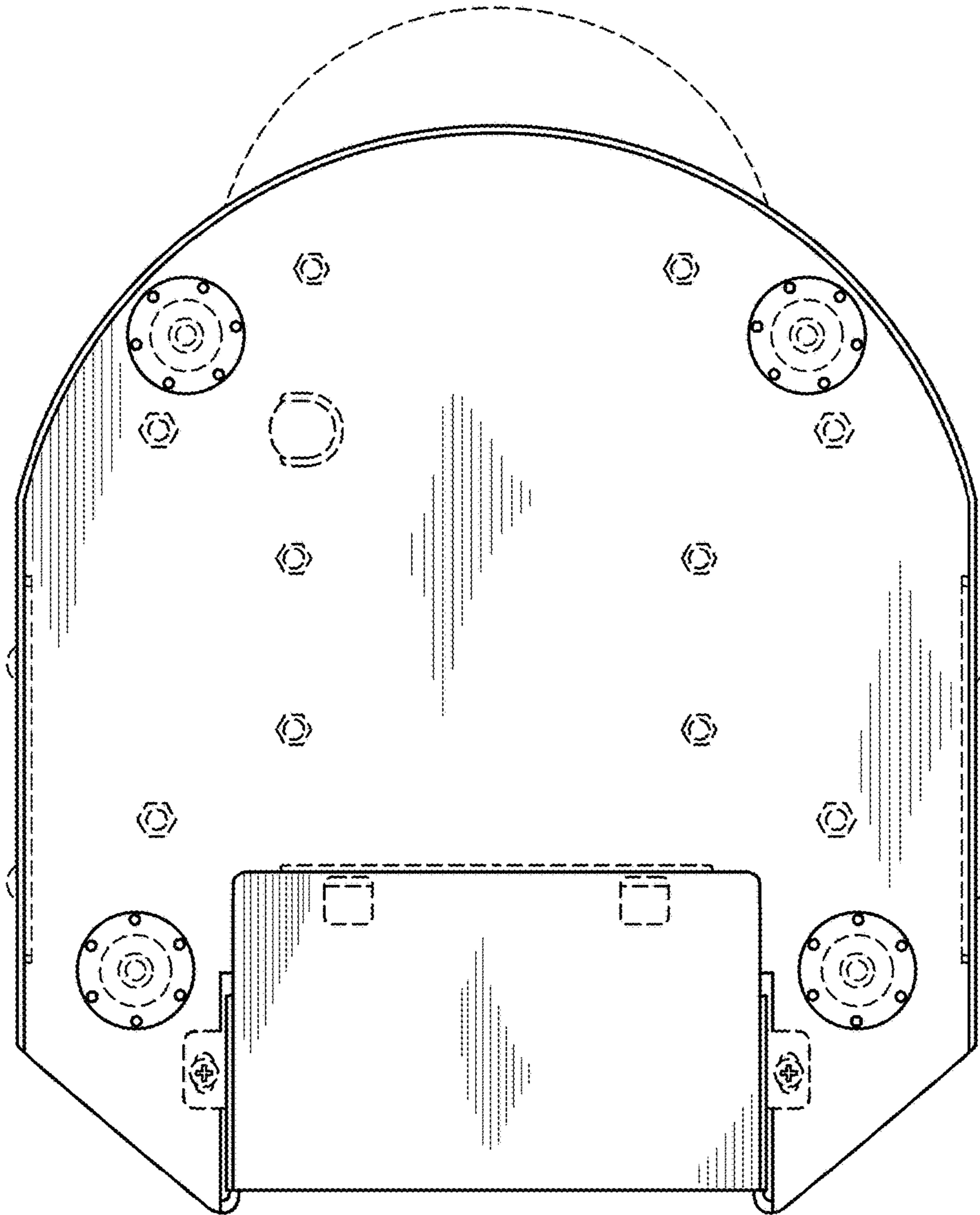
**FIG. 4**



**FIG. 5**



**FIG. 6**



**FIG. 7**