



US00D830429S

(12) **United States Design Patent** (10) **Patent No.:** **US D830,429 S**
Brown et al. (45) **Date of Patent:** **** Oct. 9, 2018**

(54) **PORTABLE REFRIGERATION SYSTEM**

(71) Applicant: **ARB Corporation Limited**, Kilsyth (AU)

(72) Inventors: **Andrew Brown**, Kilsyth (AU); **James Luke**, Kilsyth (AU)

(73) Assignee: **ARB CORPORATION LIMITED**, Kilsyth (AU)

(**) Term: **15 Years**

(21) Appl. No.: **29/582,895**

(22) Filed: **Oct. 31, 2016**

(30) **Foreign Application Priority Data**

Oct. 18, 2016 (AU) 201615870

(51) **LOC (11) Cl.** **15-07**

(52) **U.S. Cl.**
USPC **D15/79**

(58) **Field of Classification Search**
USPC D15/79-91
CPC .. F25C 5/002; F25C 5/005; F25C 5/12; F25C 1/04; F25C 2500/02; F25C 2500/08; F25C 2700/02; F25C 5/02; F25C 5/046; F25C 5/187

See application file for complete search history.

(56) **References Cited**

U.S. PATENT DOCUMENTS

D548,249 S * 8/2007 Okamoto D15/84
D558,239 S * 12/2007 Takemoto D15/79
D749,653 S * 2/2016 Carnes D15/89
D750,140 S * 2/2016 Cross D15/81
D792,486 S * 7/2017 Li D15/81

* cited by examiner

Primary Examiner — Ian Simmons

Assistant Examiner — Khawaja Anwar

(74) *Attorney, Agent, or Firm* — Davis Wright Tremaine LLP; Heather M. Colburn

(57) **CLAIM**

The ornamental design for a portable refrigeration system, as shown and described.

DESCRIPTION

FIG. 1 is a right and top side, front perspective view of a portable refrigeration system showing our new design.

FIG. 2 is a left and bottom side, rear perspective view thereof.

FIG. 3 is a right view thereof.

FIG. 4 is a left view thereof.

FIG. 5 is a front view thereof.

FIG. 6 is an enlarged rear view thereof.

FIG. 7 is a top view thereof.

FIG. 8 is a bottom view thereof.

FIG. 9 is a right and top side, front perspective view of the portable refrigeration system with its top cover in an open position revealing a refrigerated compartment.

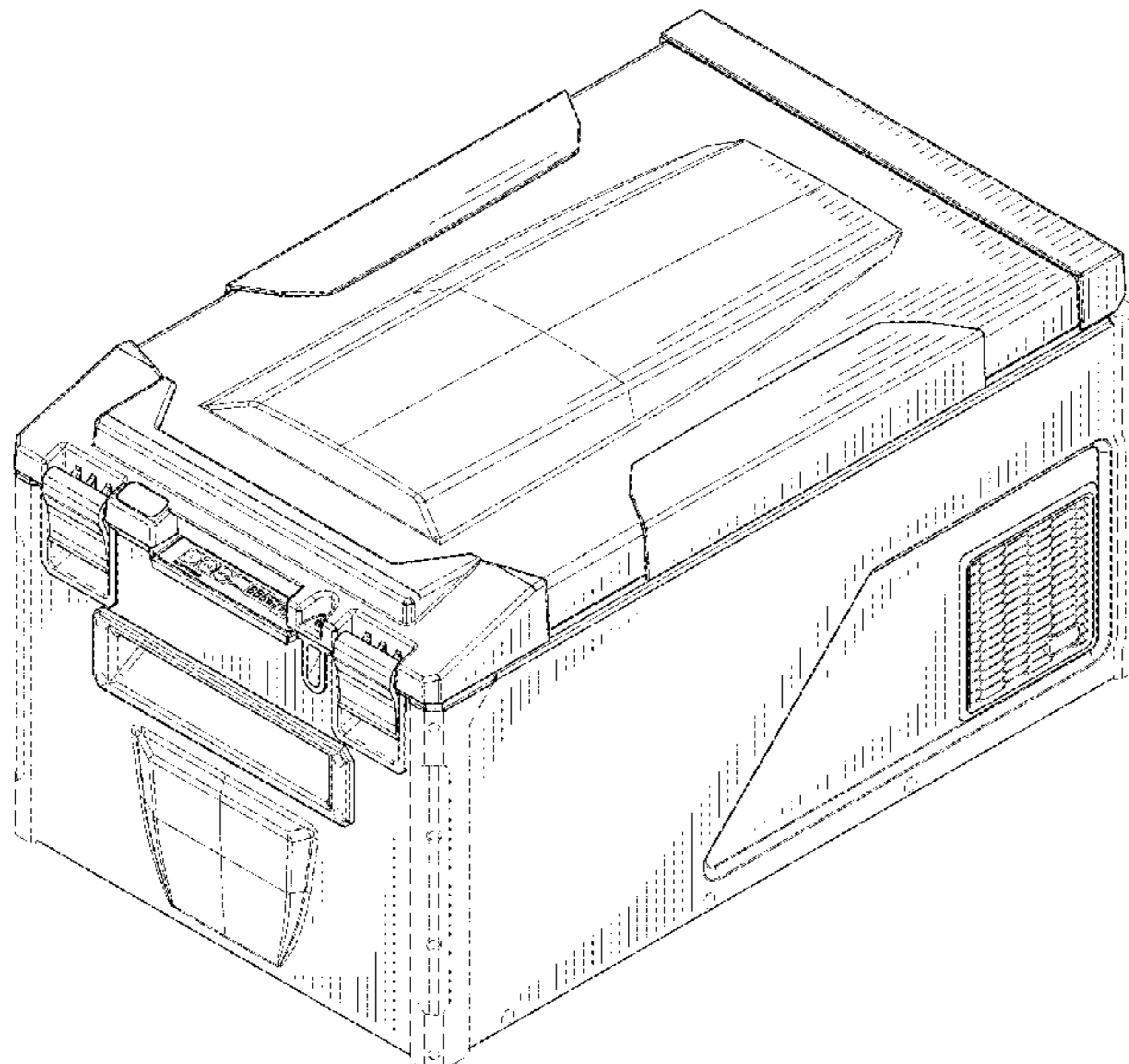
FIG. 10 is a left and bottom side, rear perspective view of the portable refrigeration system with its top cover in the open position.

FIG. 11 is a left view of the portable refrigeration system with its top cover in the open position; and,

FIG. 12 is an enlarged top view of the portable refrigeration system with its top cover in the open position revealing the refrigerated compartment.

The broken lines represent portions of the portable refrigeration system that form no part of the claim.

1 Claim, 12 Drawing Sheets



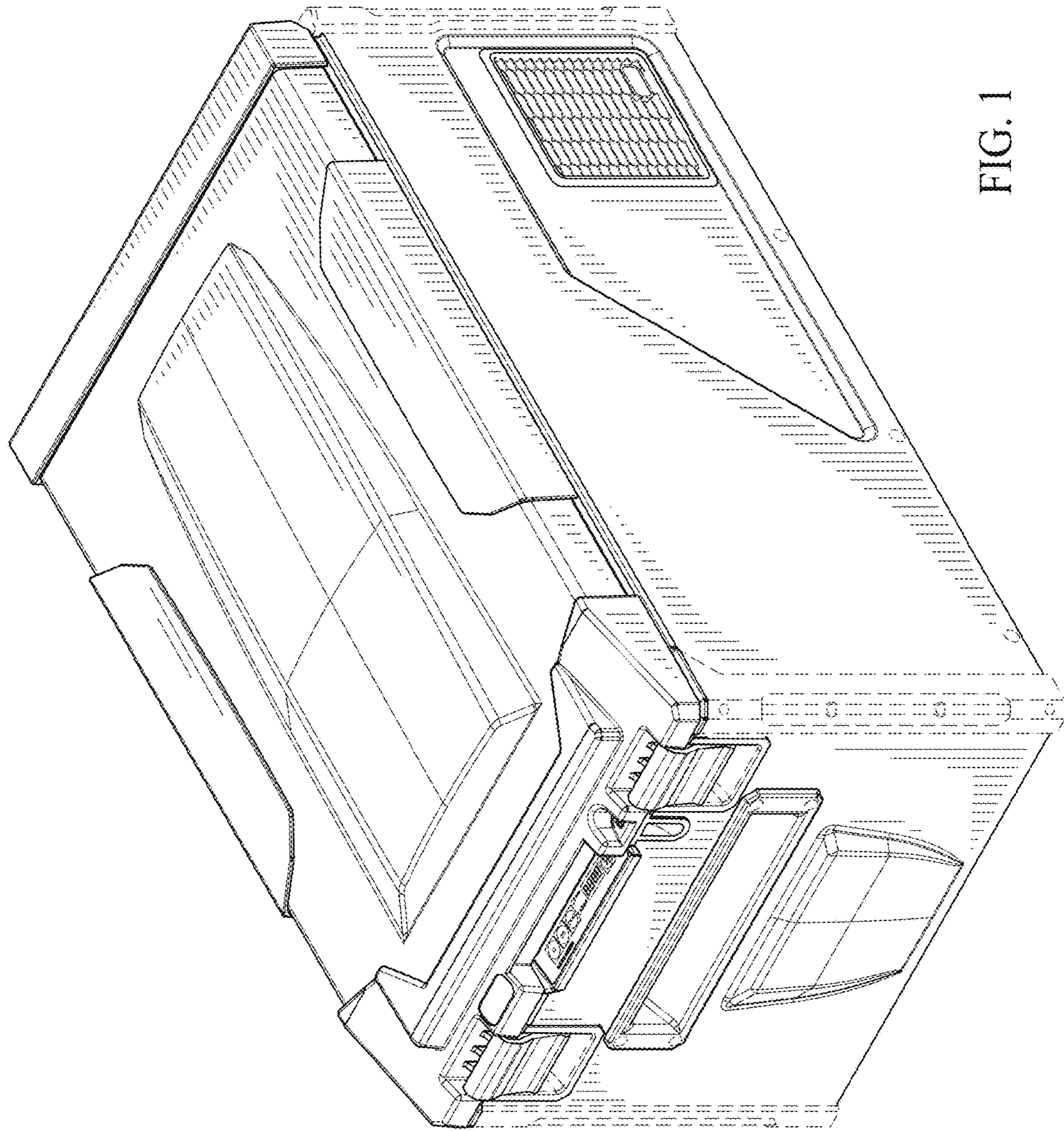


FIG. 1

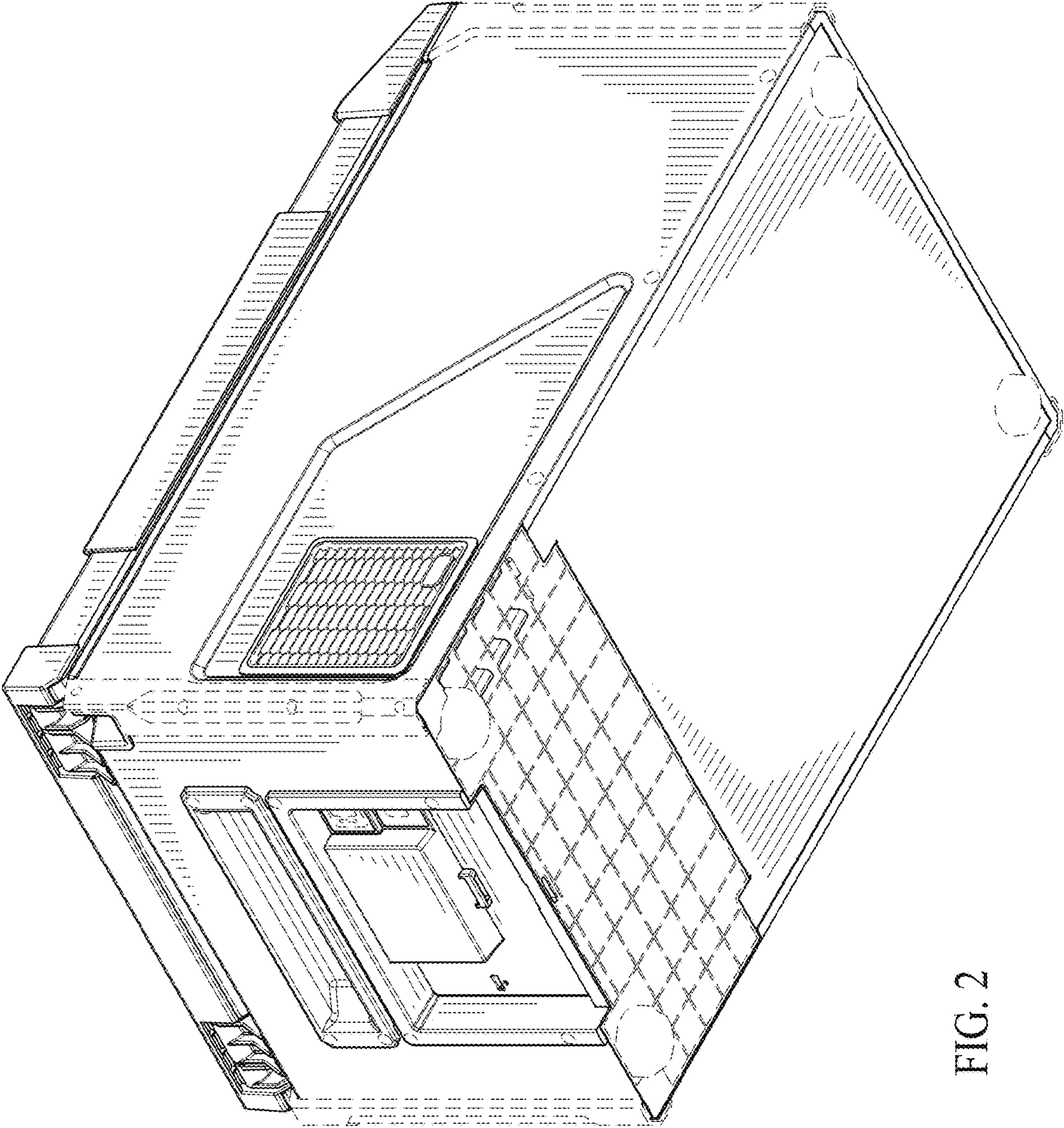


FIG. 2

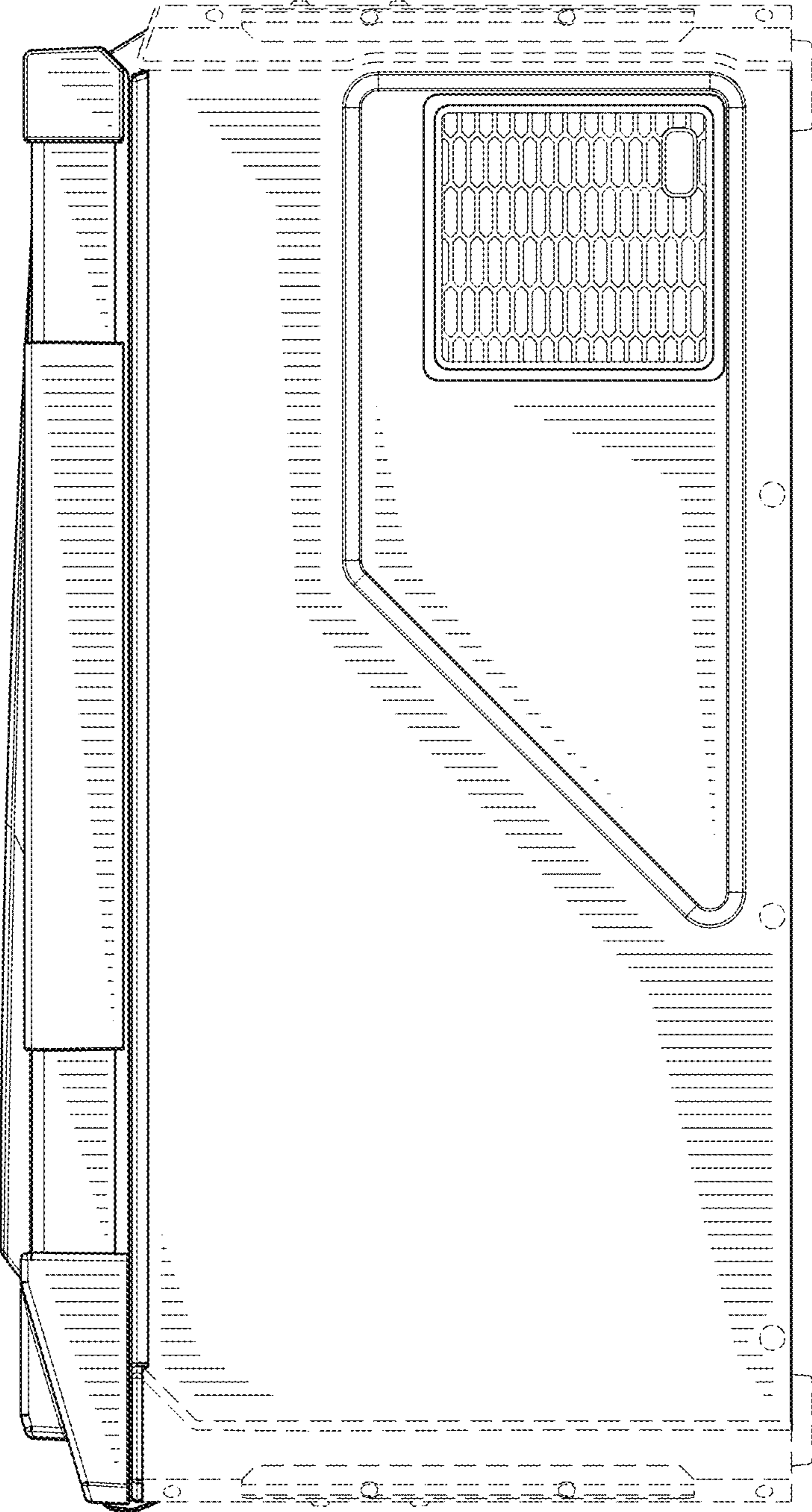


FIG. 3

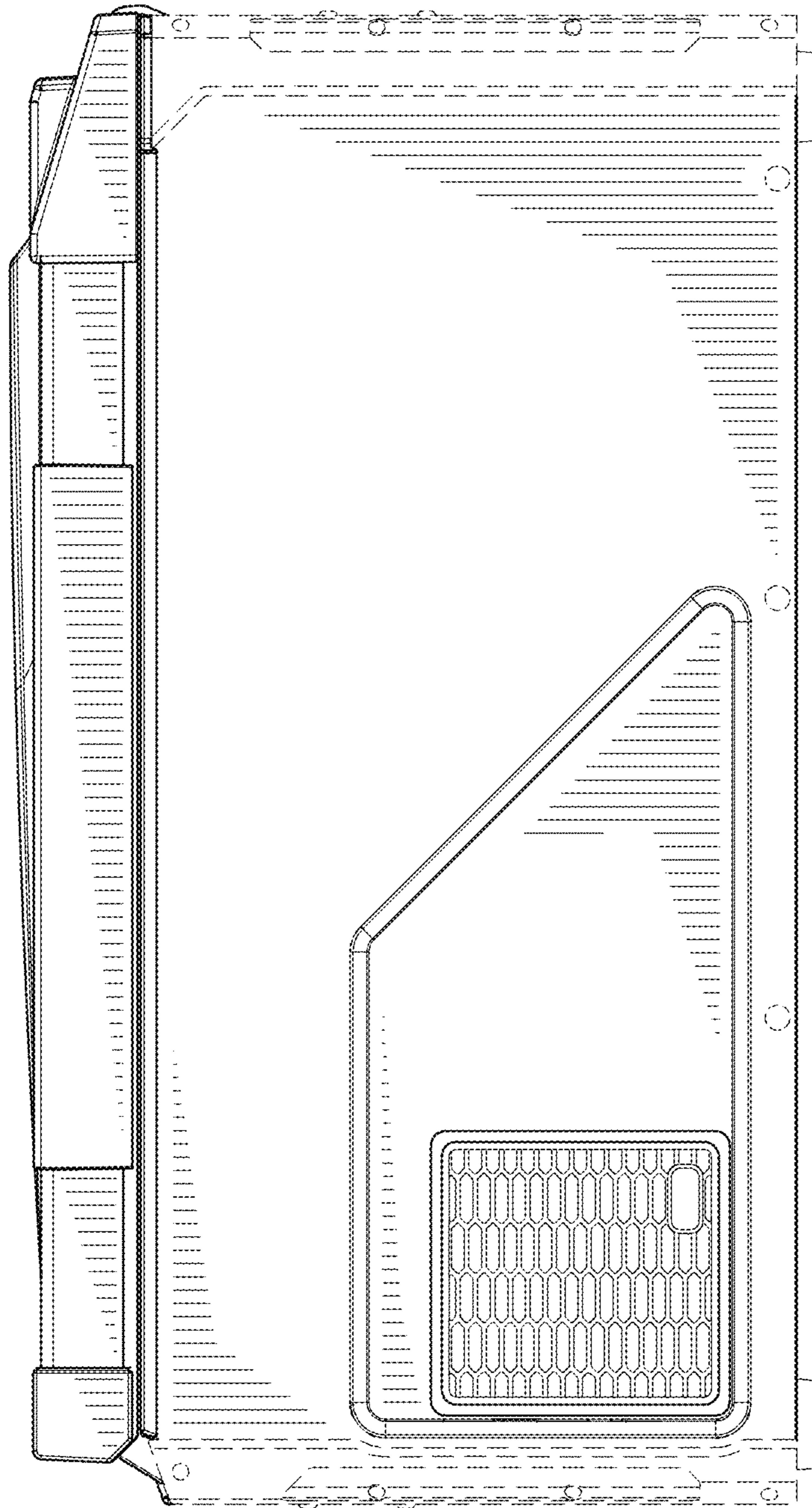


FIG. 4

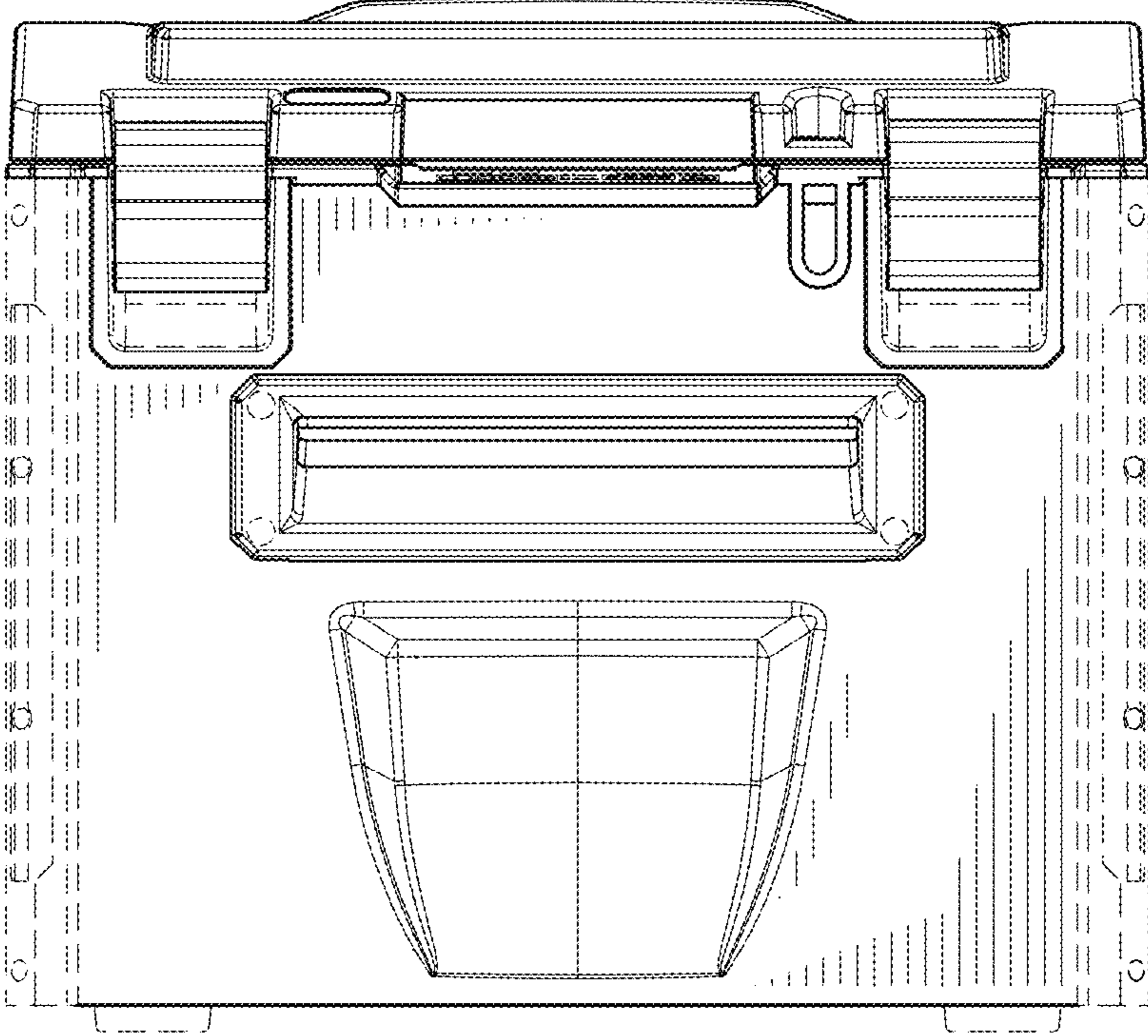


FIG. 5

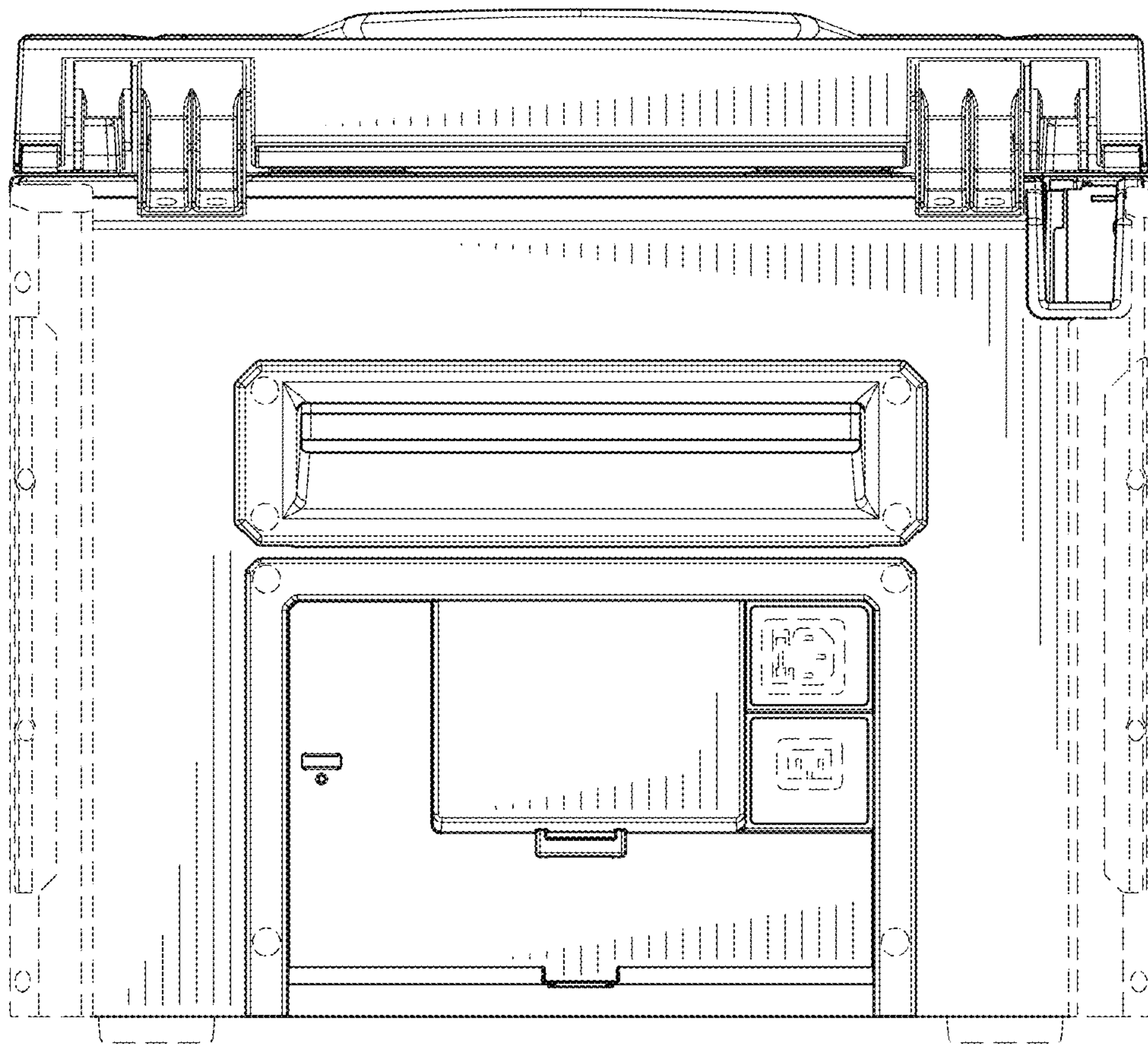


FIG. 6

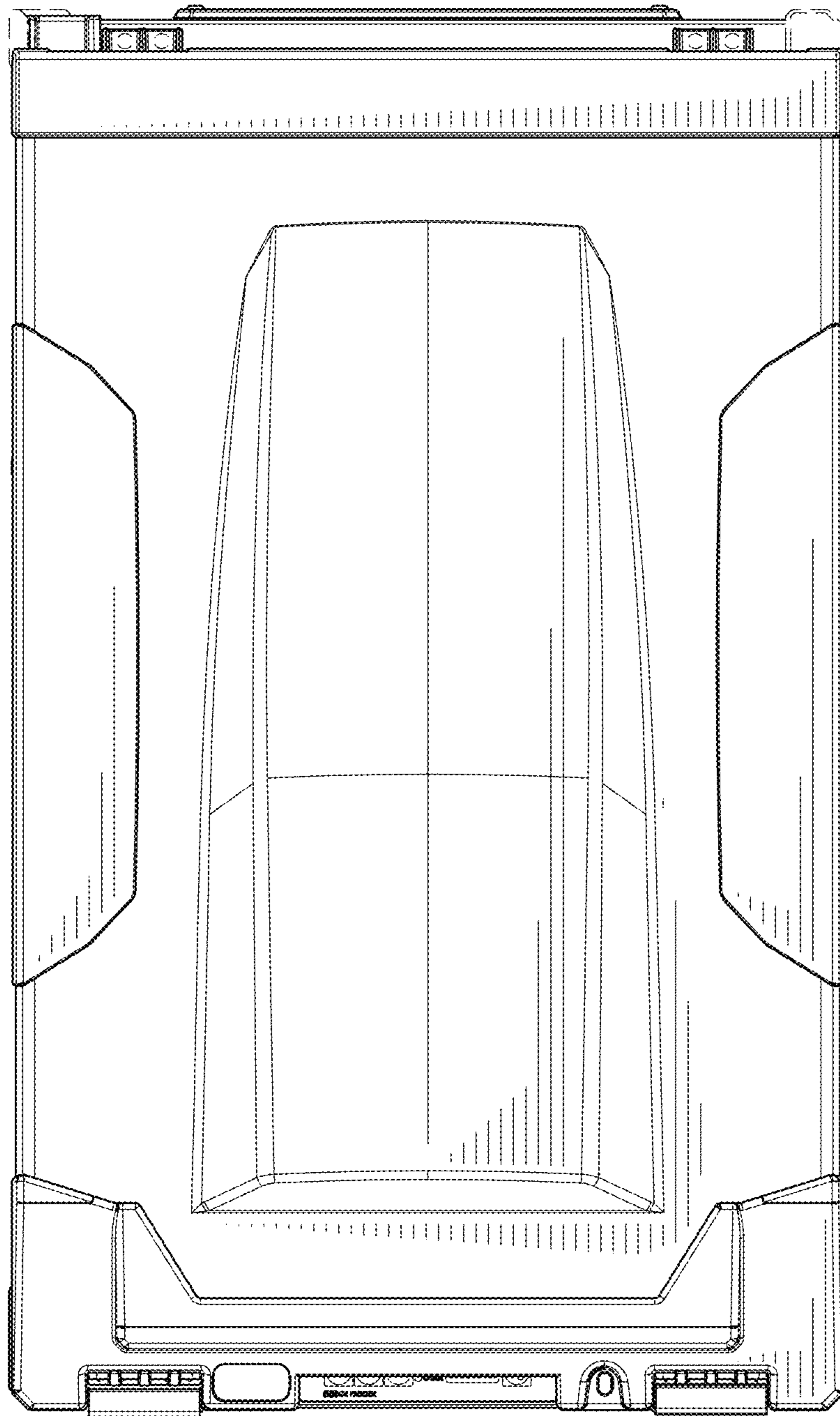


FIG. 7

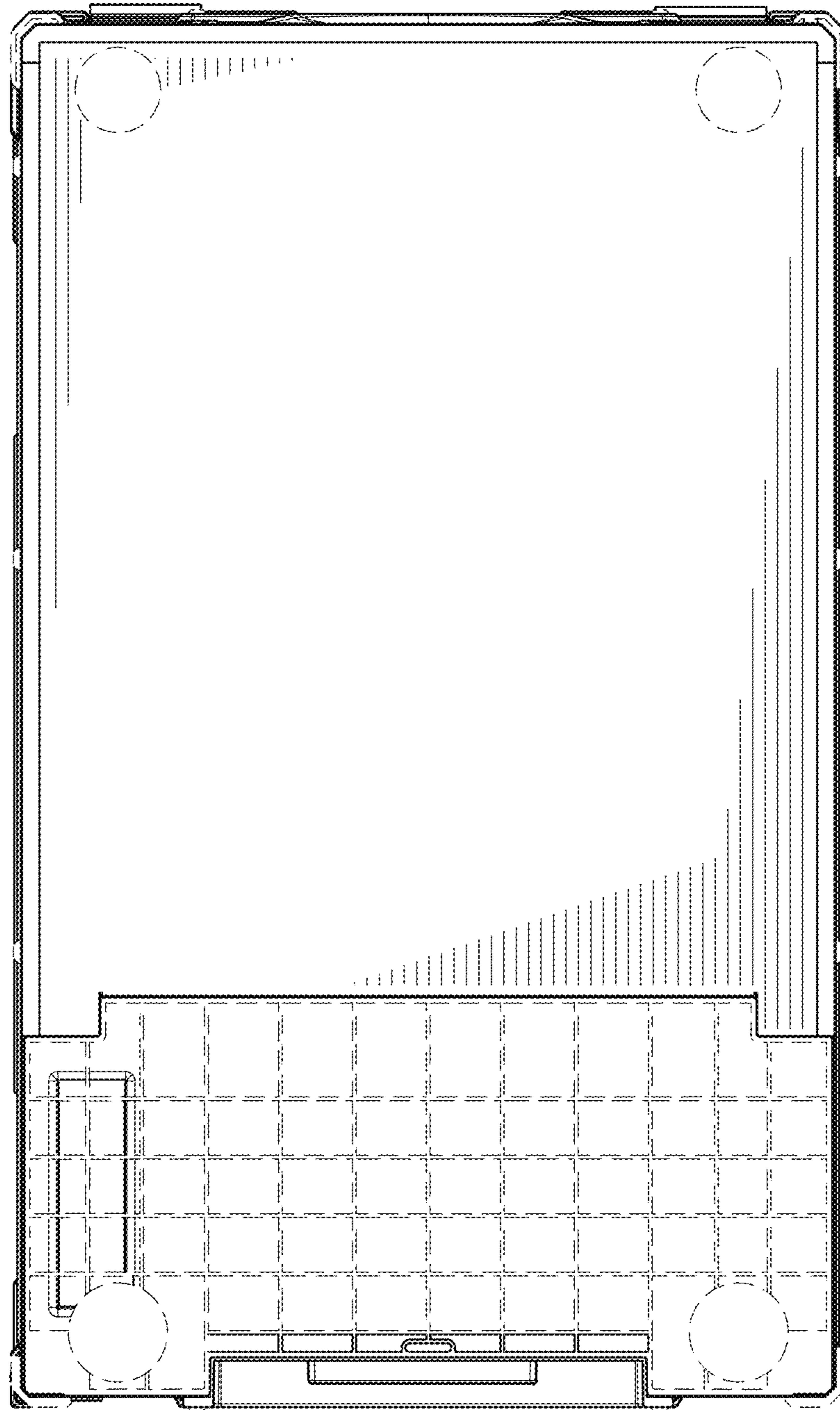


FIG. 8

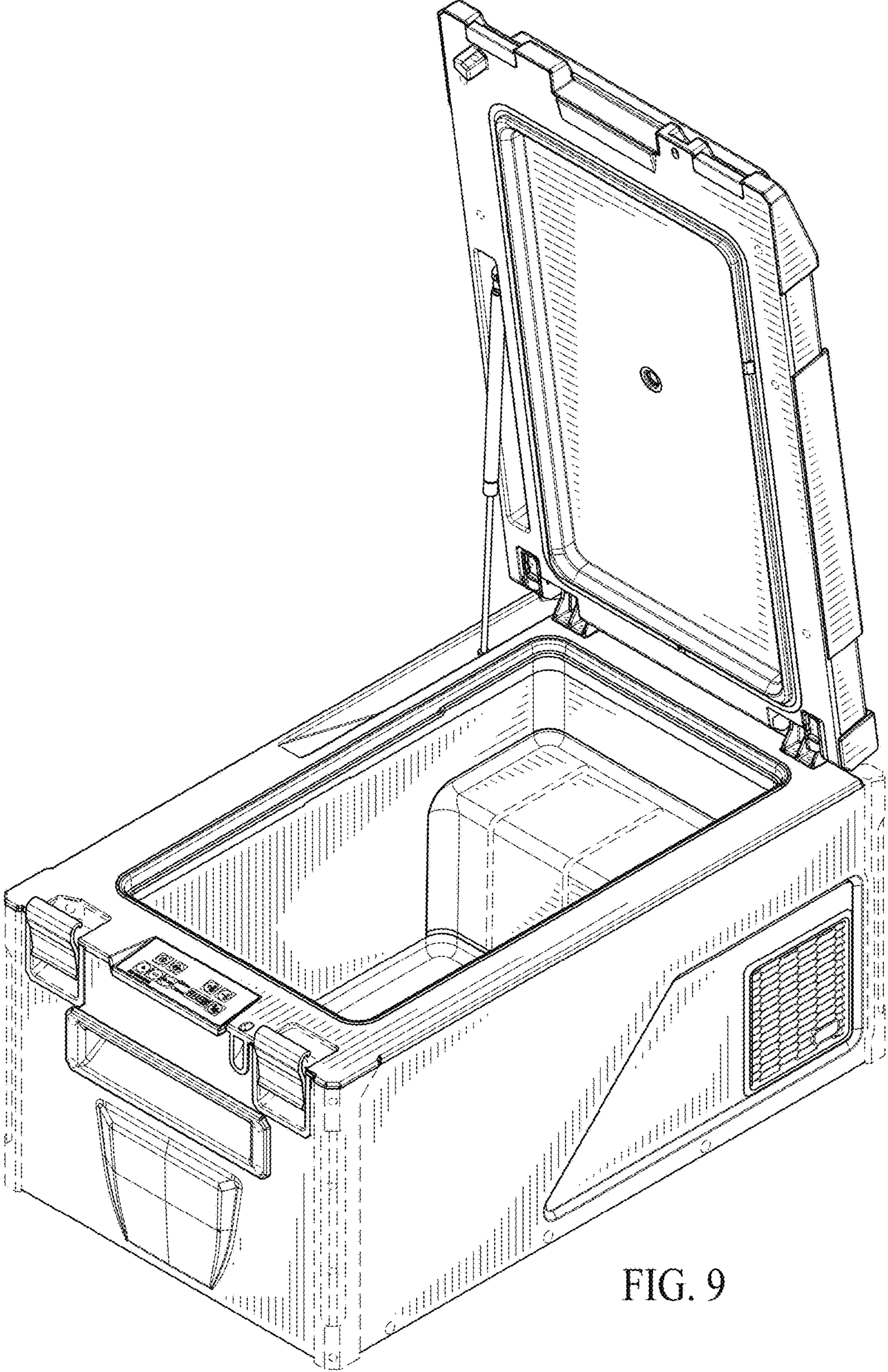


FIG. 9

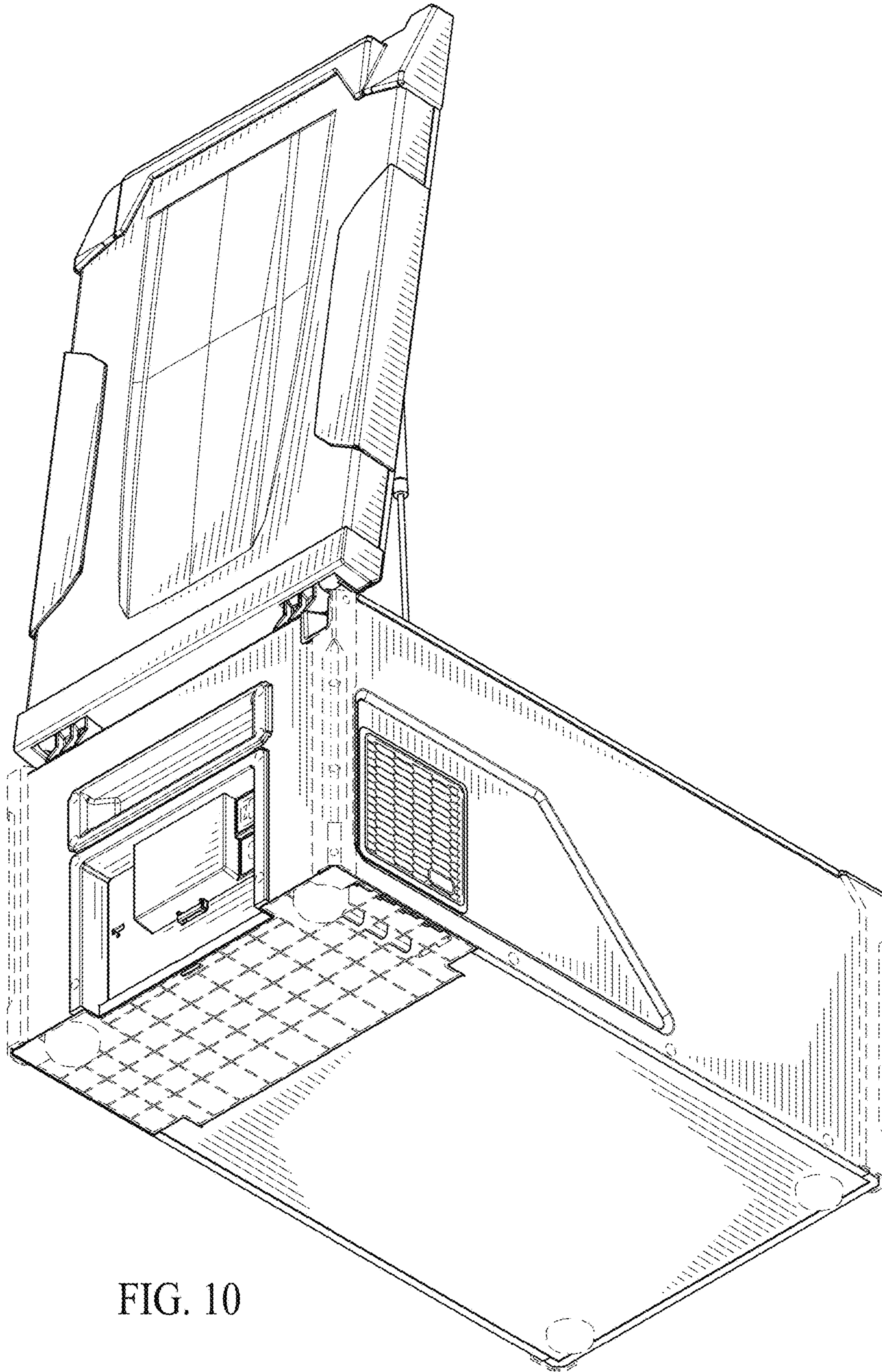


FIG. 10

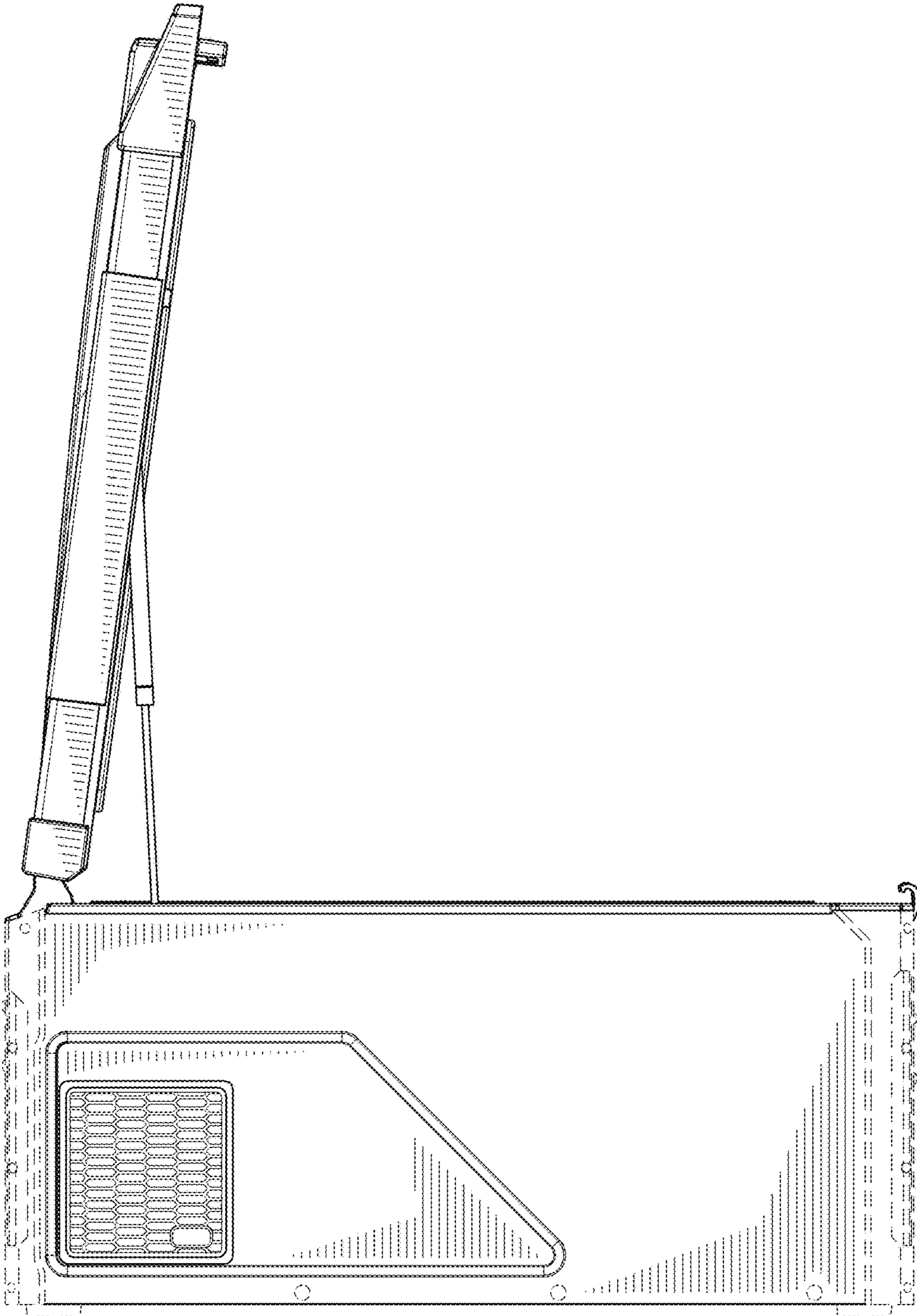


FIG. 11

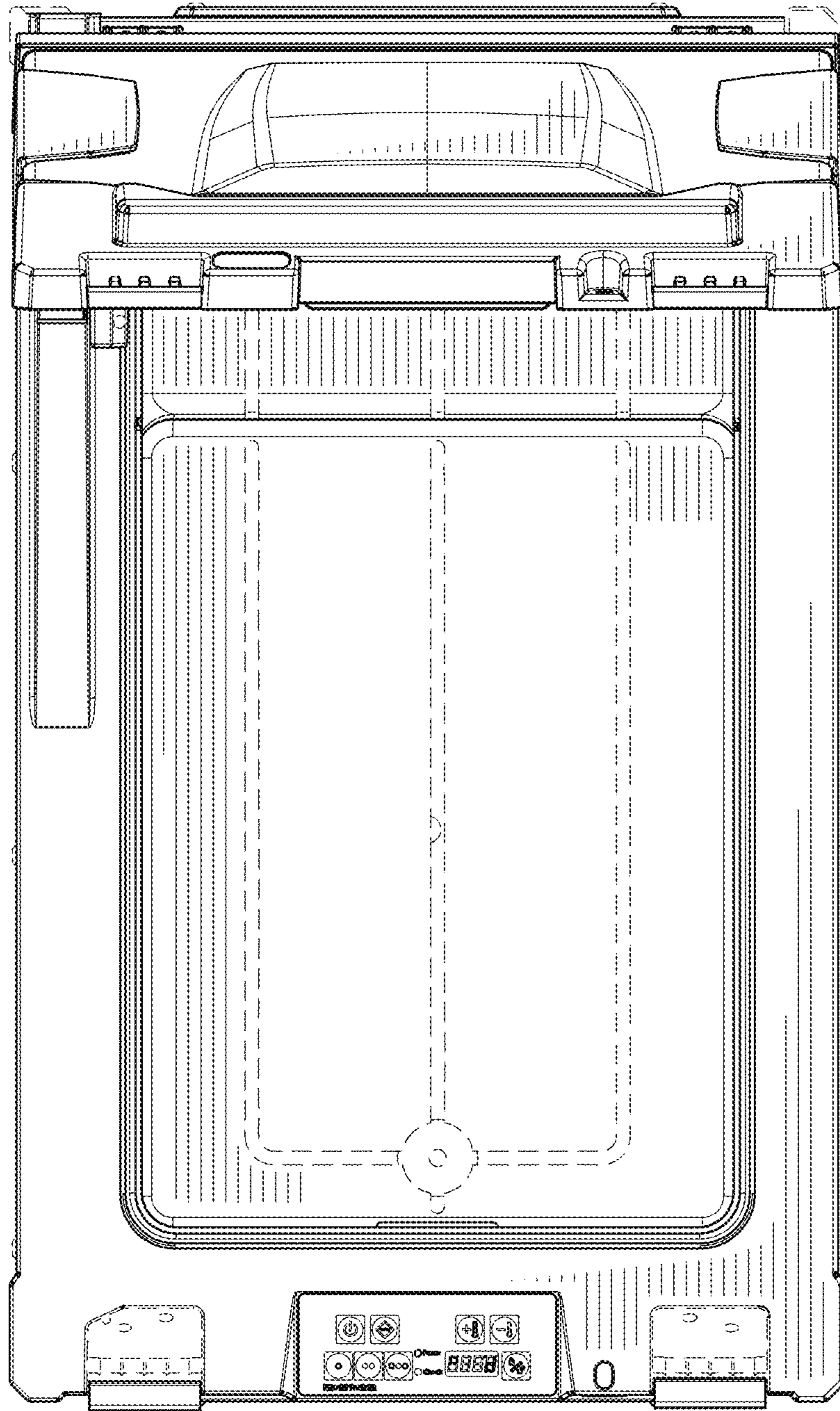


FIG. 12