



US00D830427S

(12) **United States Design Patent**  
**Colclough et al.**

(10) **Patent No.:** **US D830,427 S**

(45) **Date of Patent:** **\*\* Oct. 9, 2018**

(54) **EXCAVATOR**

(71) Applicant: **J.C. BAMFORD EXCAVATORS LIMITED**, Uttoxeter (GB)

(72) Inventors: **Paul Colclough**, Uttoxeter (GB); **Ben Watson**, Uttoxeter (GB); **Samuel Payne**, Uttoxeter (GB); **Khimani Mohiki**, Uttoxeter (GB); **Lee Milward**, Uttoxeter (GB); **Ben Parker**, Uttoxeter (GB); **Michael Turner**, Uttoxeter (GB)

(73) Assignee: **J.C. BAMFORD EXCAVATORS LIMITED**, Uttoxeter (GB)

(\*\*) Term: **15 Years**

(21) Appl. No.: **29/617,737**

(22) Filed: **Sep. 15, 2017**

(51) **LOC (11) Cl.** ..... **15-03**

(52) **U.S. Cl.**  
USPC ..... **D15/28; D15/33**

(58) **Field of Classification Search**  
USPC .... D15/10, 22-26, 28, 30, 31, 33; 180/89.1, 180/89.12, 89.13, 900, 9.1, 9.2, 9.62; 414/694, 699, 722-724, 660, 685, 698, 414/719, 743; 37/379  
CPC . E02F 9/163; E02F 9/0886; E02F 9/18; E02F 3/32; E02F 3/76; E02F 3/40; F01N 13/001; F01N 2590/08  
See application file for complete search history.

(56) **References Cited**

**U.S. PATENT DOCUMENTS**

D474,481 S *	5/2003	Hara	.....	D15/25
D518,071 S *	3/2006	Gwak	.....	D15/24
D527,027 S *	8/2006	Smith	.....	D15/24
D538,304 S *	3/2007	Uemura	.....	D15/25
D538,305 S *	3/2007	Smith	.....	D15/30

D538,827 S *	3/2007	Uemura	.....	D15/25
D590,847 S *	4/2009	Yonekura	.....	D15/25
D607,904 S *	1/2010	Reisenauer	.....	D15/30
D607,905 S *	1/2010	Reisenauer	.....	D15/30
D681,066 S *	4/2013	Saito	.....	D15/24
D681,689 S *	5/2013	Saito	.....	D15/24
D682,891 S *	5/2013	Kinoshita	.....	D15/25
D684,598 S *	6/2013	Hagura	.....	D15/24
D684,599 S *	6/2013	Saito	.....	D15/24
D684,600 S *	6/2013	Saito	.....	D15/24
D687,865 S *	8/2013	Hatanaka	.....	D15/24
D692,924 S *	11/2013	Hatanaka	.....	D15/24
D707,261 S *	6/2014	Caboret	.....	D15/24
D711,927 S *	8/2014	Yoshita	.....	D15/24
D715,330 S *	10/2014	Hutchinson	.....	D15/22
D715,331 S *	10/2014	Hutchinson	.....	D15/22
D716,844 S *	11/2014	Hayami	.....	D15/24
D716,845 S *	11/2014	Hayami	.....	D15/24
D717,346 S *	11/2014	Ishii	.....	D15/28
D725,680 S *	3/2015	Mishio	.....	D15/24

(Continued)

*Primary Examiner* — Mark Goodwin

(74) *Attorney, Agent, or Firm* — Marshall, Gerstein & Borun LLP

(57) **CLAIM**

The ornamental design for an excavator, as shown.

**DESCRIPTION**

FIG. 1 is a front, right-side, and top view of an excavator, showing the new design.

FIG. 2 is a top plan view of the excavator.

FIG. 3 is a front elevation view of the excavator.

FIG. 4 is a right-side elevation view of the excavator.

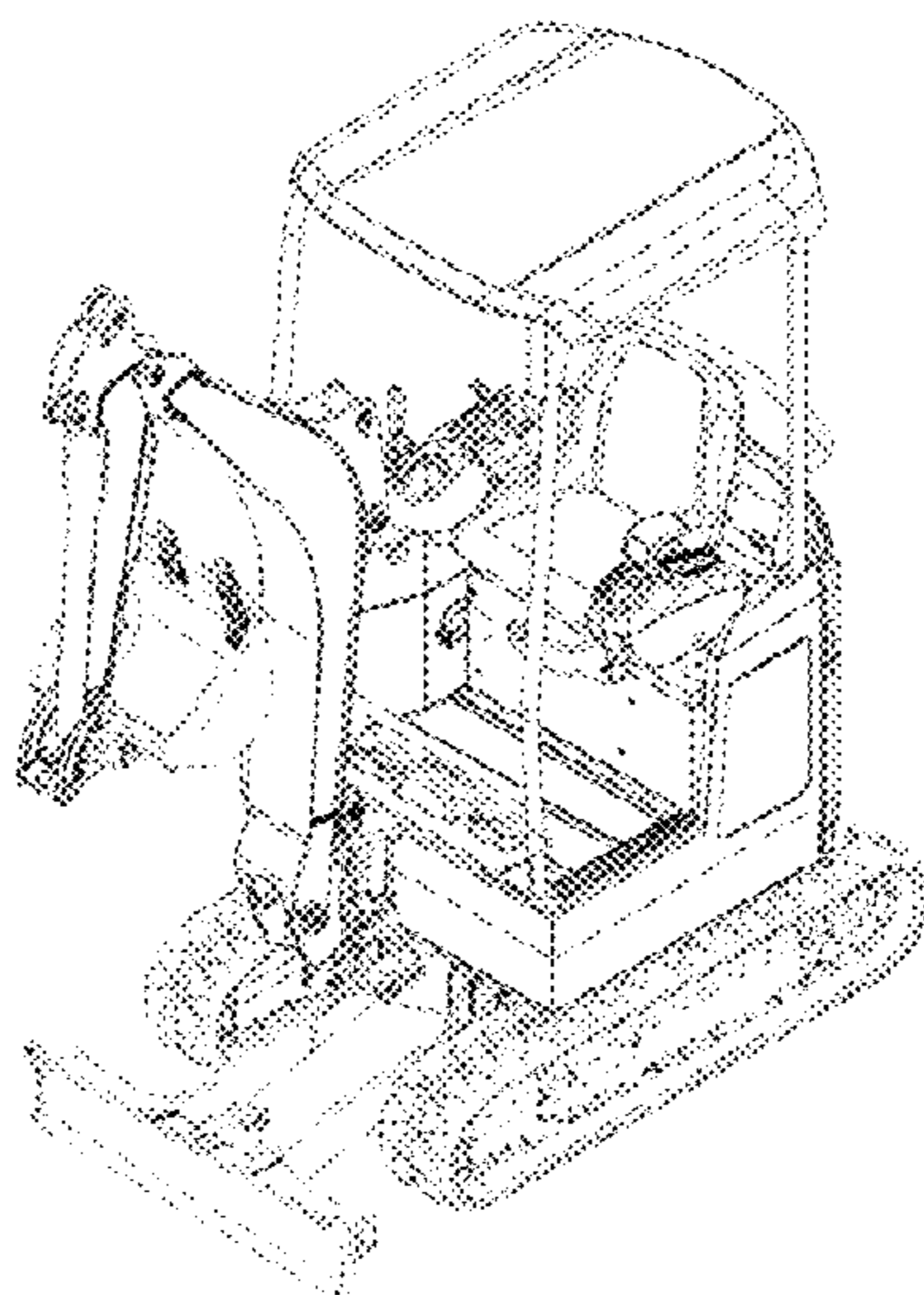
FIG. 5 is a left-side elevation view of the excavator.

FIG. 6 is an underside plan view of the excavator; and,

FIG. 7 is a rear elevation view of the excavator.

The broken line showing of portions of the excavator is included for the purpose of illustrating environmental structure only and forms no part of the claimed design.

**1 Claim, 7 Drawing Sheets**



(56)

**References Cited**

U.S. PATENT DOCUMENTS

D750,672 S *	3/2016	Payne .....	D15/25
D752,112 S *	3/2016	Hagura .....	D15/24
D752,113 S *	3/2016	Hagura .....	D15/24
D752,651 S *	3/2016	Hagura .....	D15/24
D773,536 S *	12/2016	Fiser .....	D15/28
D773,537 S *	12/2016	Fiser .....	D15/30
D774,107 S *	12/2016	Fiser .....	D15/28
D774,112 S *	12/2016	Fiser .....	D15/30
D791,843 S *	7/2017	Hashimoto .....	D15/28
D797,159 S *	9/2017	Yeu .....	D15/28
D797,160 S *	9/2017	Yeu .....	D15/30

\* cited by examiner



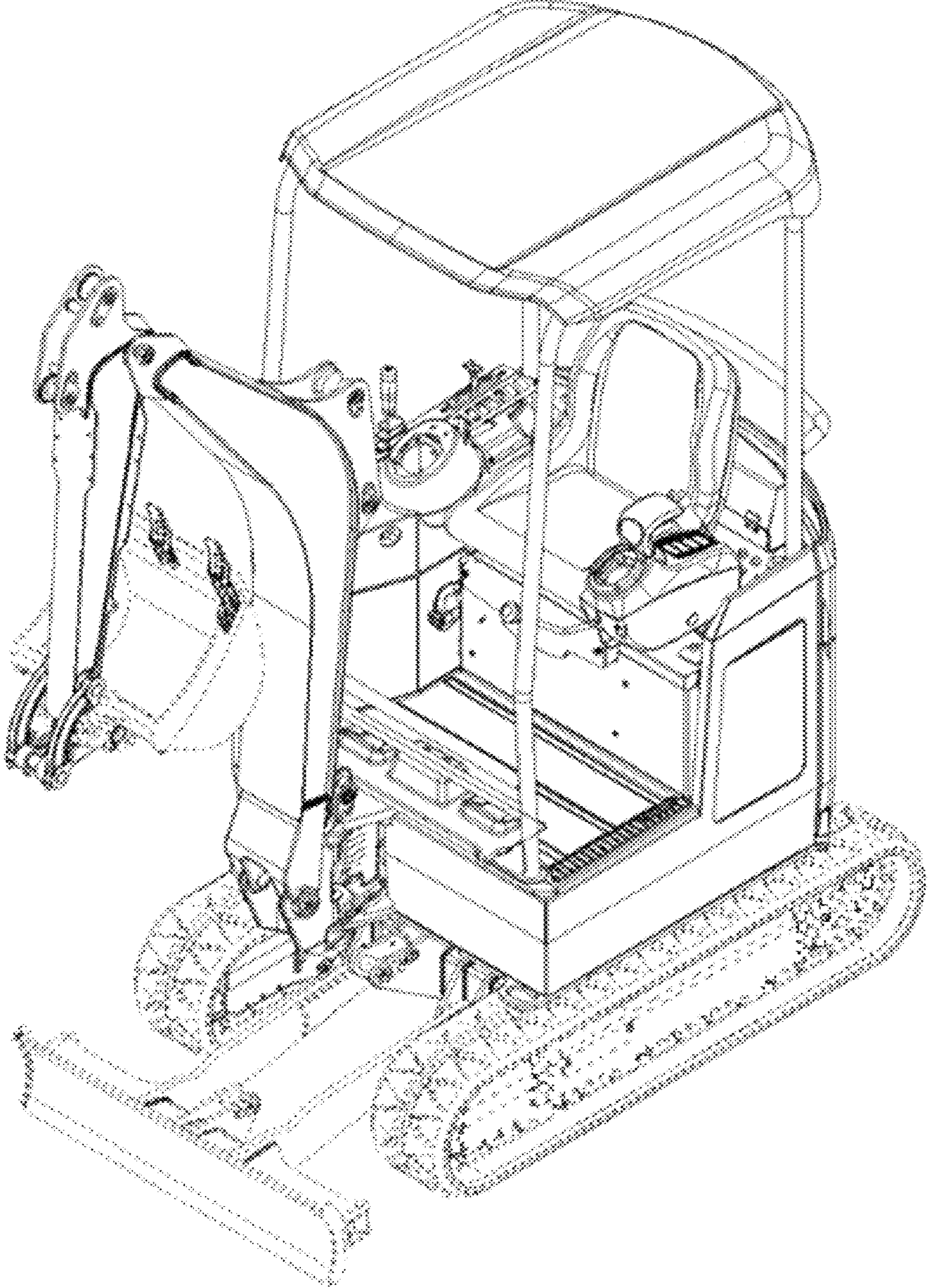


Fig. 1



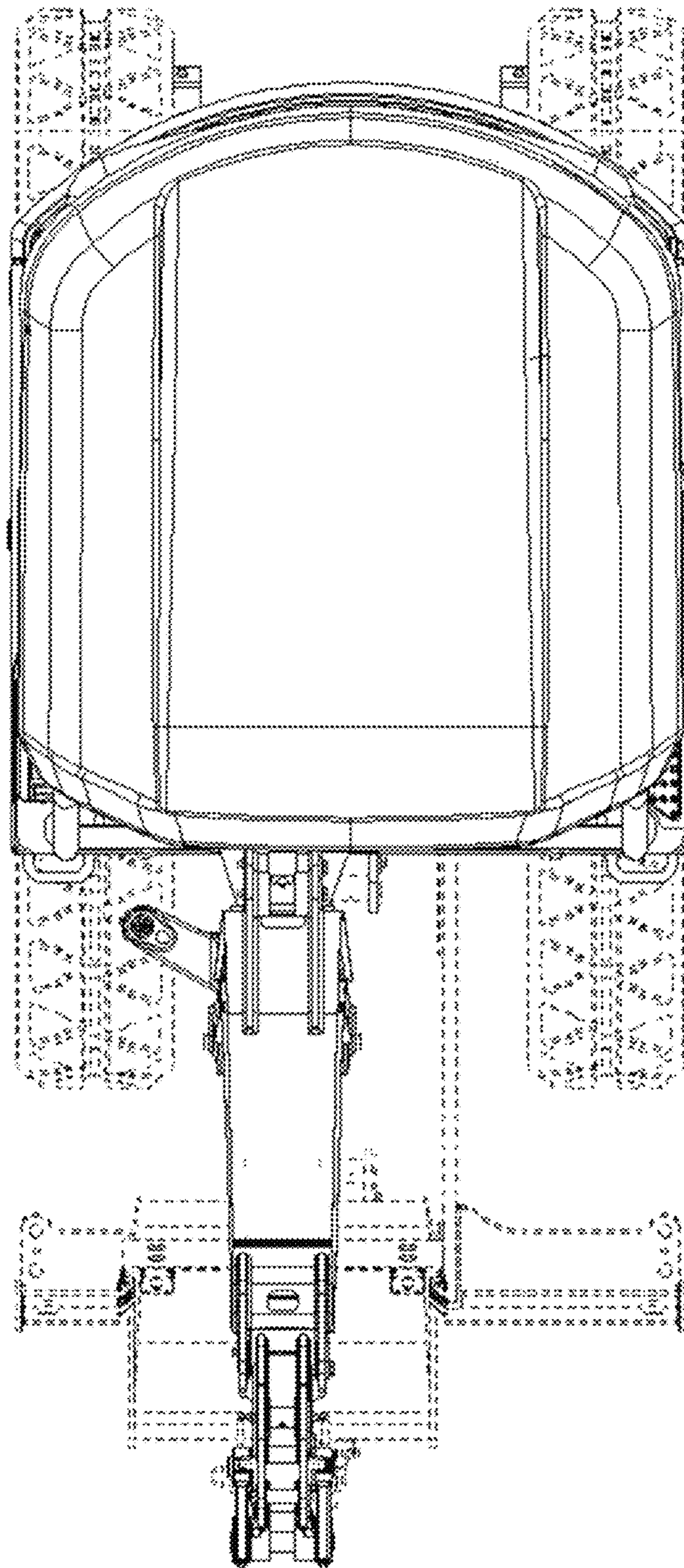


Fig. 2

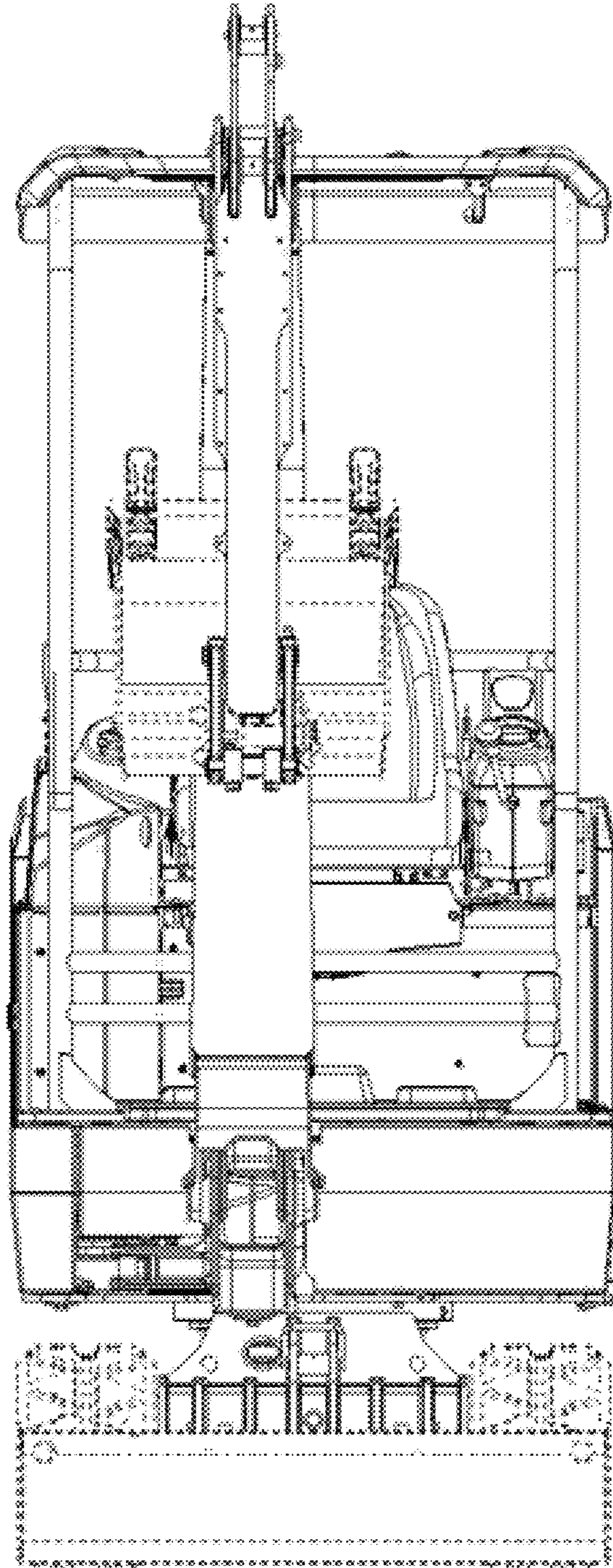


Fig. 3



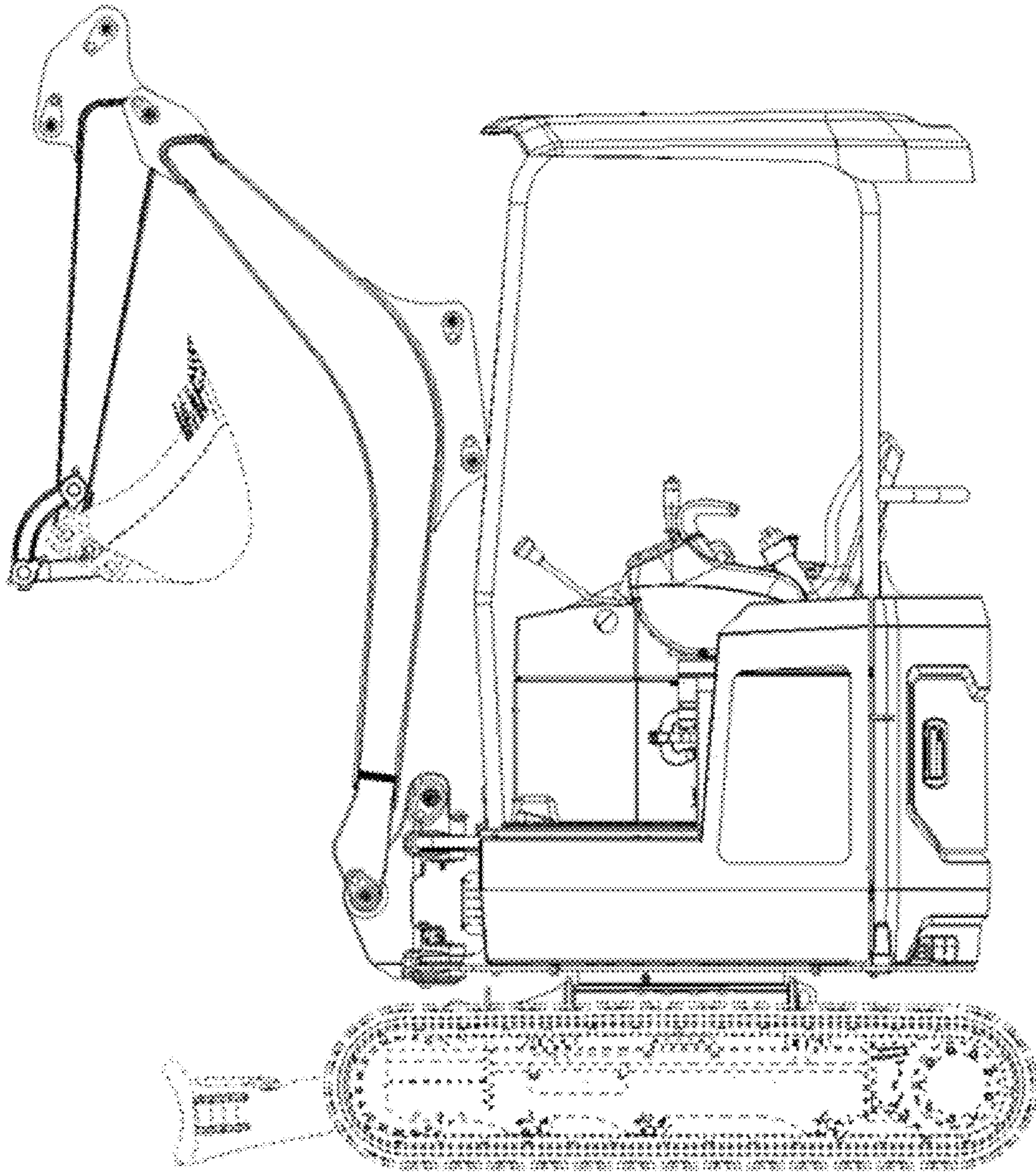


Fig. 4

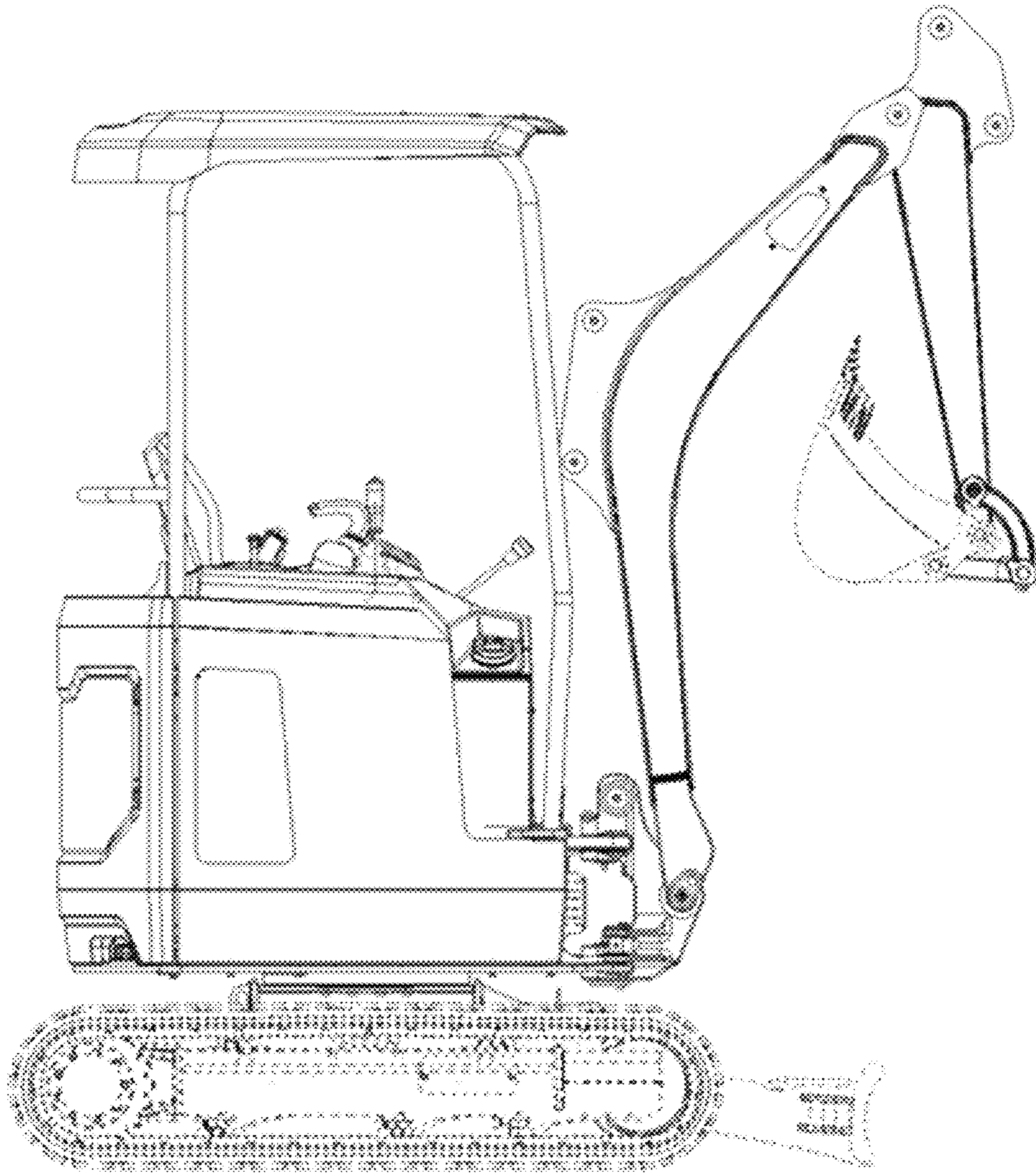


Fig. 5



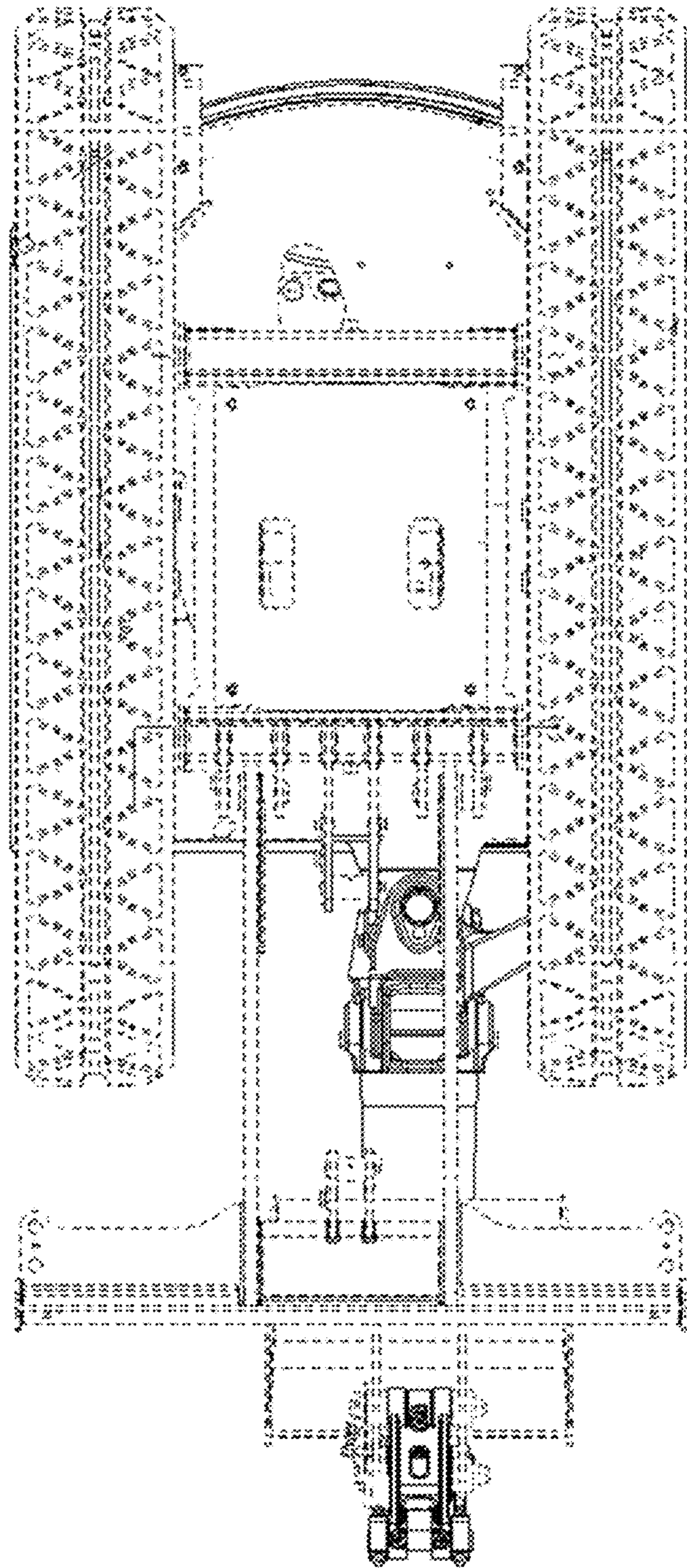


Fig. 6



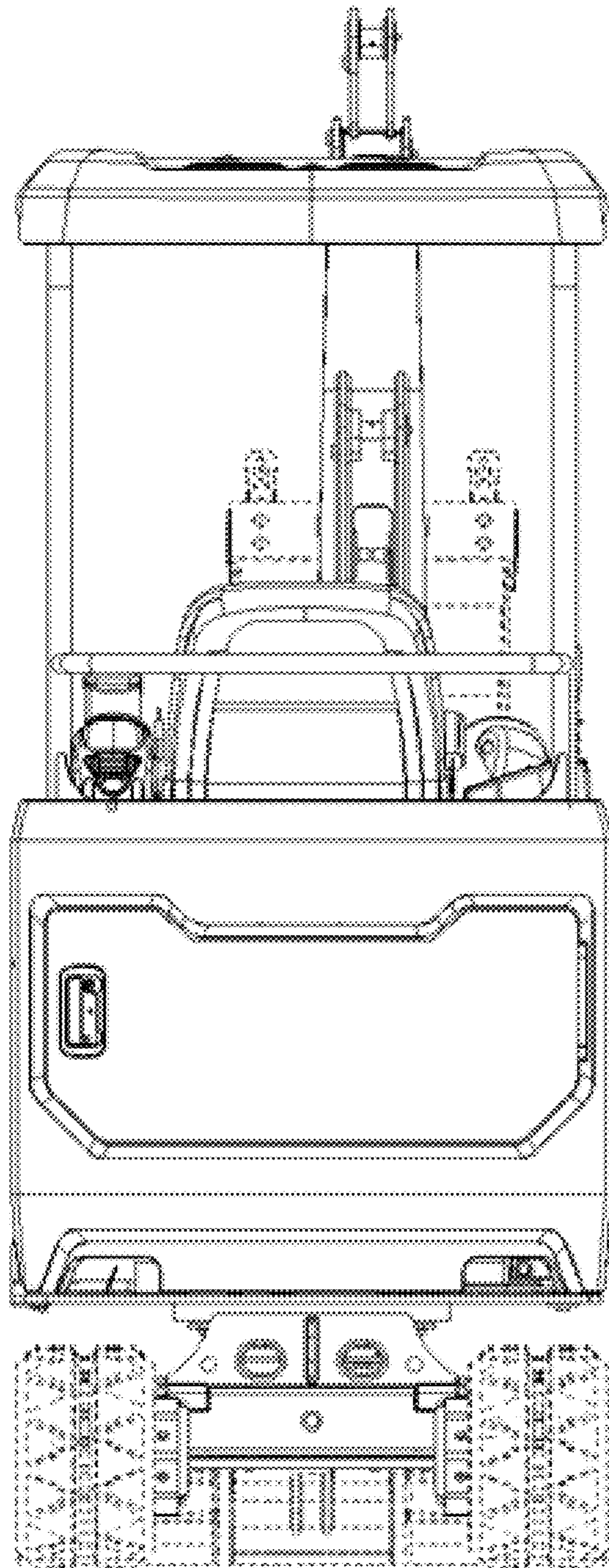


Fig. 7