

US00D830421S

(12) **United States Design Patent**
Colclough et al.

(10) **Patent No.:** **US D830,421 S**

(45) **Date of Patent:** **** Oct. 9, 2018**

(54) **EXCAVATOR**

(71) Applicant: **J.C. BAMFORD EXCAVATORS LIMITED**, Uttoxeter (GB)

(72) Inventors: **Paul Colclough**, Uttoxeter (GB); **Ben Watson**, Uttoxeter (GB); **Samuel Payne**, Uttoxeter (GB); **Khimani Mohiki**, Uttoxeter (GB); **Lee Milward**, Uttoxeter (GB); **Ben Parker**, Uttoxeter (GB); **Michael Turner**, Uttoxeter (GB)

(73) Assignee: **J.C. BAMFORD EXCAVATORS LIMITED**, Uttoxeter (GB)

(**) Term: **15 Years**

(21) Appl. No.: **29/617,756**

(22) Filed: **Sep. 15, 2017**

(51) **LOC (11) Cl.** **12-09**

(52) **U.S. Cl.**
USPC **D15/24; D15/28; D15/33**

(58) **Field of Classification Search**
USPC D15/10, 22-26, 28, 30, 31, 33; 180/89.1, 180/89.12, 89.13, 900, 9.1, 9.2, 9.62; 414/694, 699, 722-724, 660, 685, 698, 414/719, 743; 37/379
CPC . E02F 9/163; E02F 9/0886; E02F 9/18; E02F 3/32; E02F 3/76; E02F 3/40; F01N 13/001; F01N 2590/08
See application file for complete search history.

(56) **References Cited**

U.S. PATENT DOCUMENTS

D474,481 S *	5/2003	Hara	D15/25
D518,071 S *	3/2006	Gwak	D15/24
D527,027 S *	8/2006	Smith	D15/24
D538,304 S *	3/2007	Uemura	D15/25
D538,305 S *	3/2007	Smith	D15/30

D538,827 S *	3/2007	Uemura	D15/25
D590,847 S *	4/2009	Yonekura	D15/25
D607,904 S *	1/2010	Reisenauer	D15/30
D607,905 S *	1/2010	Reisenauer	D15/30
D681,066 S *	4/2013	Saito	D15/24
D681,689 S *	5/2013	Saito	D15/24
D682,891 S *	5/2013	Kinoshita	D15/25
D684,598 S *	6/2013	Hagura	D15/24
D684,599 S *	6/2013	Saito	D15/24
D684,600 S *	6/2013	Saito	D15/24
D687,865 S *	8/2013	Hatanaka	D15/24
D692,924 S *	11/2013	Hatanaka	D15/24
D707,261 S *	6/2014	Caboret	D15/24
D711,927 S *	8/2014	Yoshita	D15/24
D715,330 S *	10/2014	Hutchinson	D15/22
D715,331 S *	10/2014	Hutchinson	D15/22
D716,844 S *	11/2014	Hayami	D15/24
D716,845 S *	11/2014	Hayami	D15/24
D717,346 S *	11/2014	Ishii	D15/28
D725,680 S *	3/2015	Mishio	D15/24

(Continued)

Primary Examiner — Mark Goodwin

(74) *Attorney, Agent, or Firm* — Marshall, Gerstein & Borun LLP

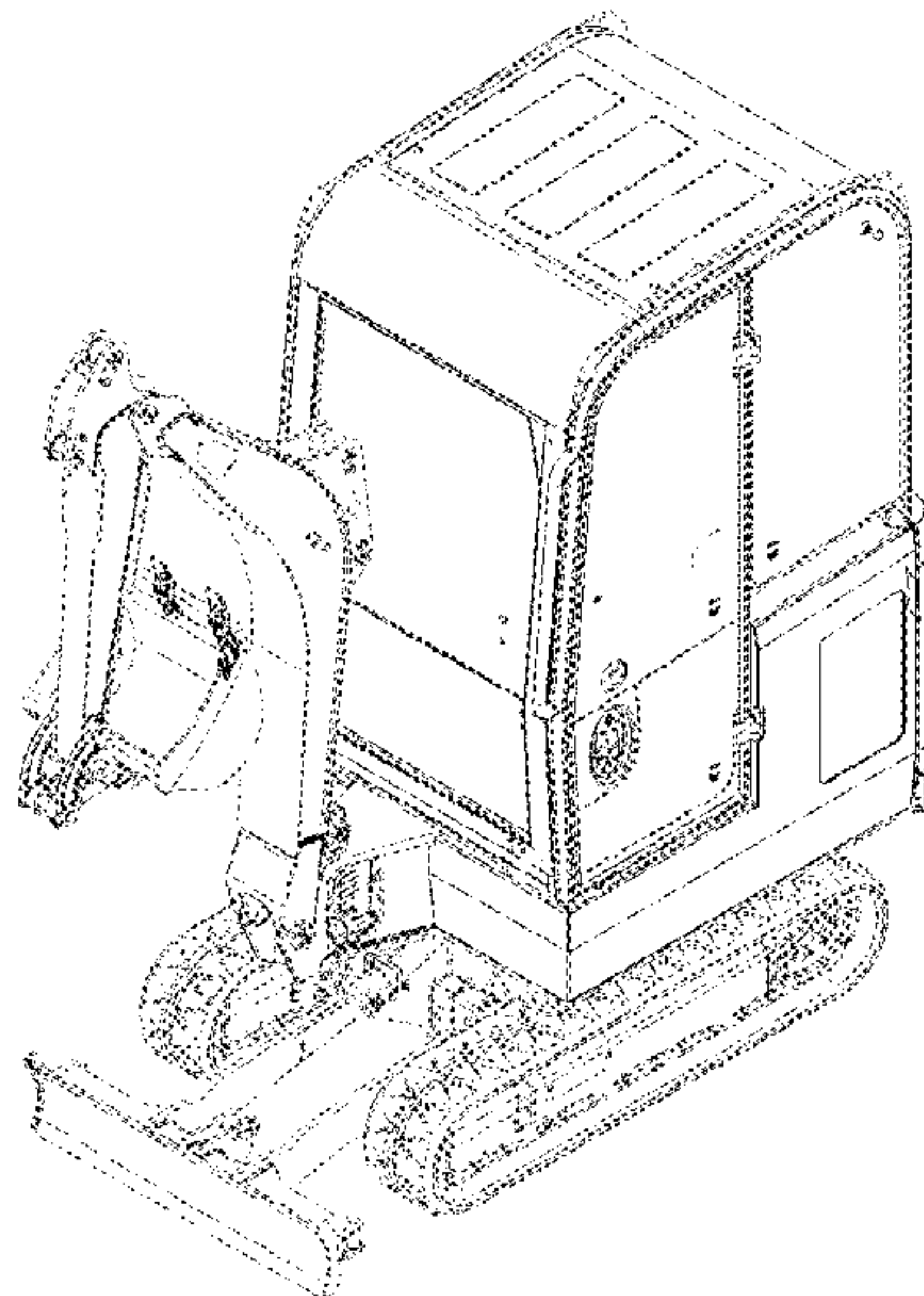
(57) **CLAIM**

The ornamental design for an excavator, as shown and described.

DESCRIPTION

FIG. 1 is a front, right-side, and top view of an excavator, showing the new design.
FIG. 2 is a left-side elevation view of the excavator.
FIG. 3 is a right-side elevation view of the excavator.
FIG. 4 is a front elevation view of the excavator.
FIG. 5 is a rear elevation view of the excavator.
FIG. 6 is a top plan view of the excavator; and,
FIG. 7 is a bottom plan view of the excavator.
The broken line showing of portions of the excavator is included for the purpose of illustrating environmental structure only and forms no part of the claimed design.

1 Claim, 7 Drawing Sheets



(56)

References Cited

U.S. PATENT DOCUMENTS

D750,672	S	*	3/2016	Payne	D15/25
D752,112	S	*	3/2016	Hagura	D15/24
D752,113	S	*	3/2016	Hagura	D15/24
D752,651	S	*	3/2016	Hagura	D15/24
D773,536	S	*	12/2016	Fiser	D15/28
D773,537	S	*	12/2016	Fiser	D15/30
D774,107	S	*	12/2016	Fiser	D15/28
D774,112	S	*	12/2016	Fiser	D15/30
D791,843	S	*	7/2017	Hashimoto	D15/28
D797,159	S	*	9/2017	Yeu	D15/28
D797,160	S	*	9/2017	Yeu	D15/30

* cited by examiner

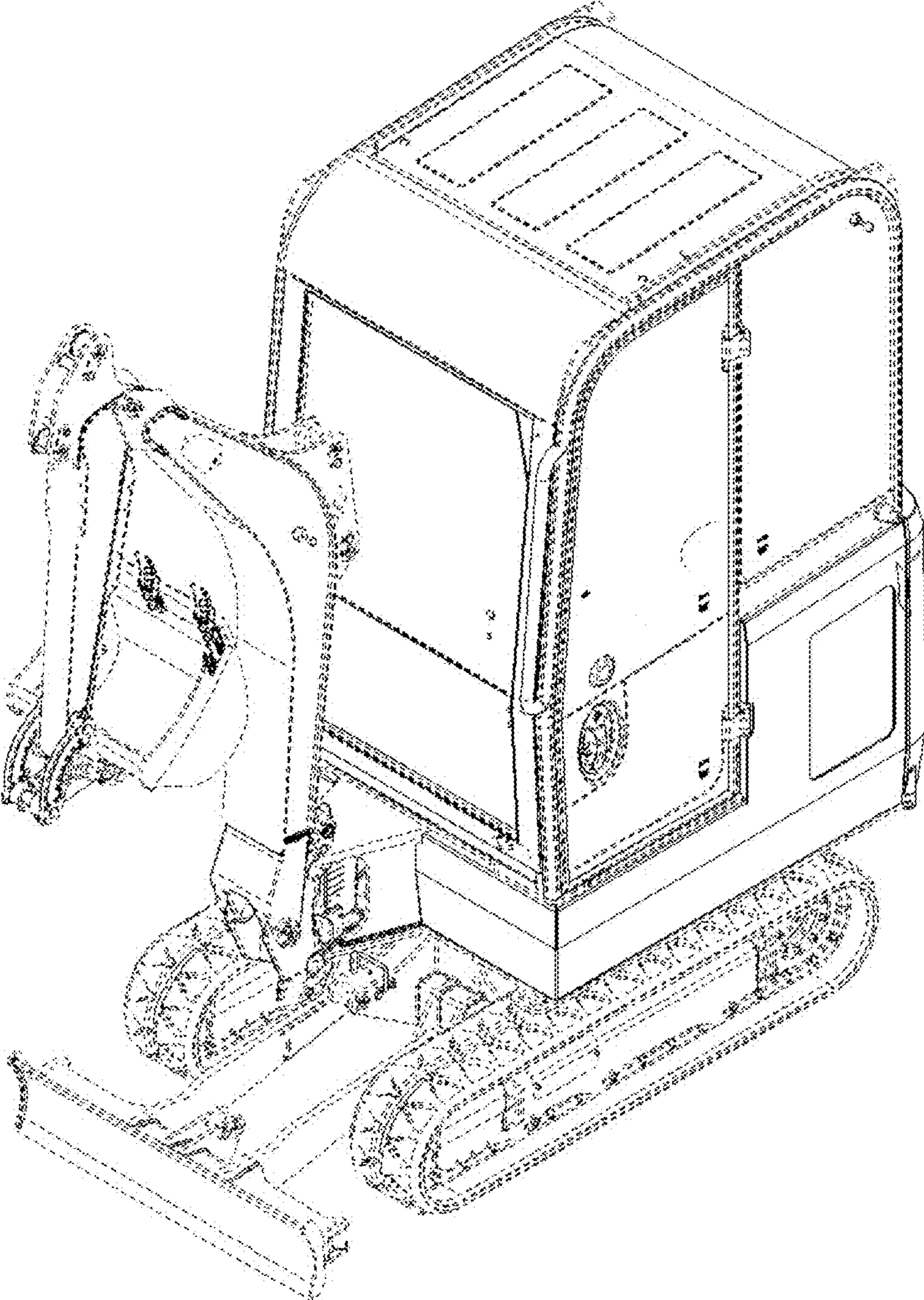


Fig. 1

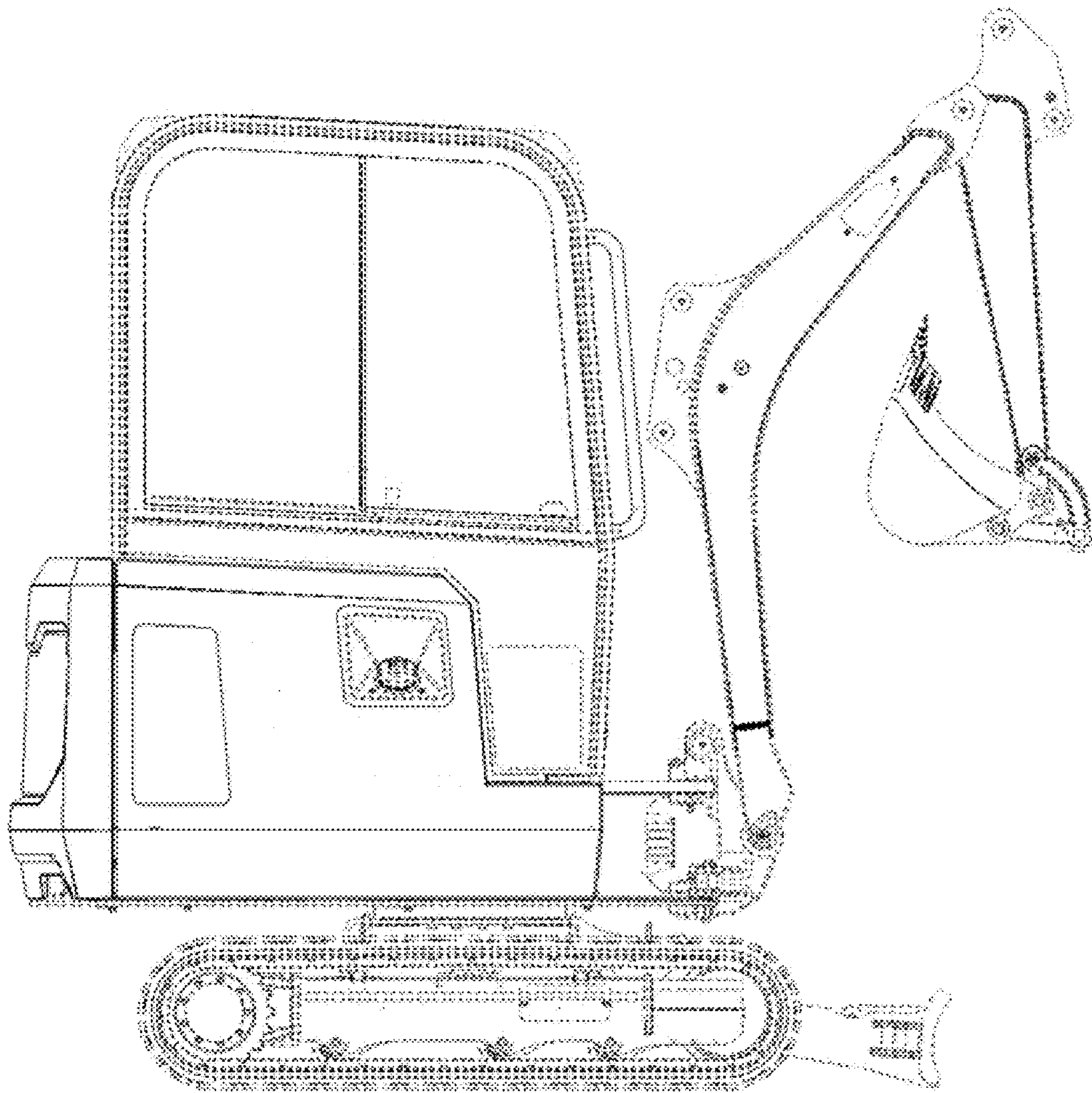


Fig. 2

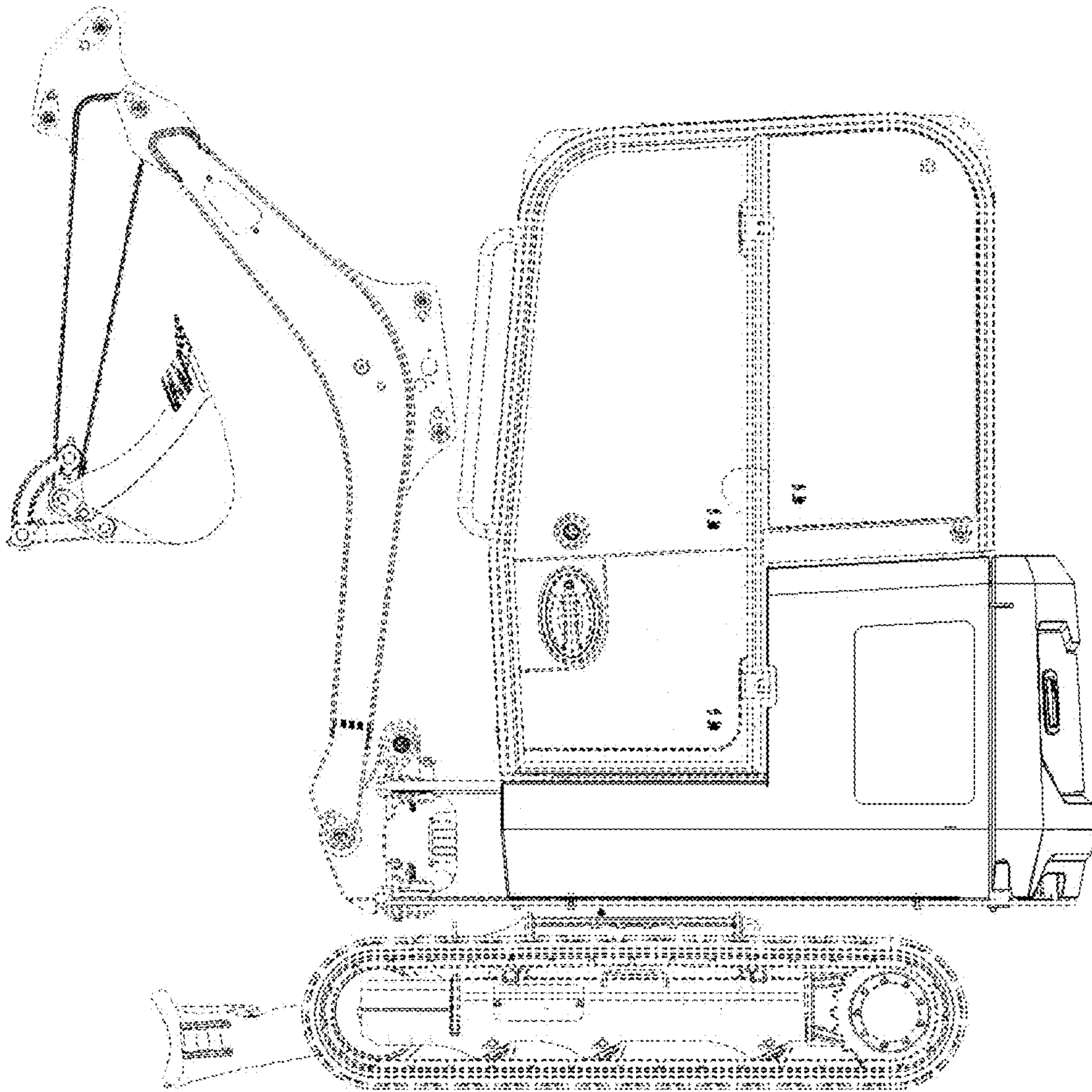


Fig. 3

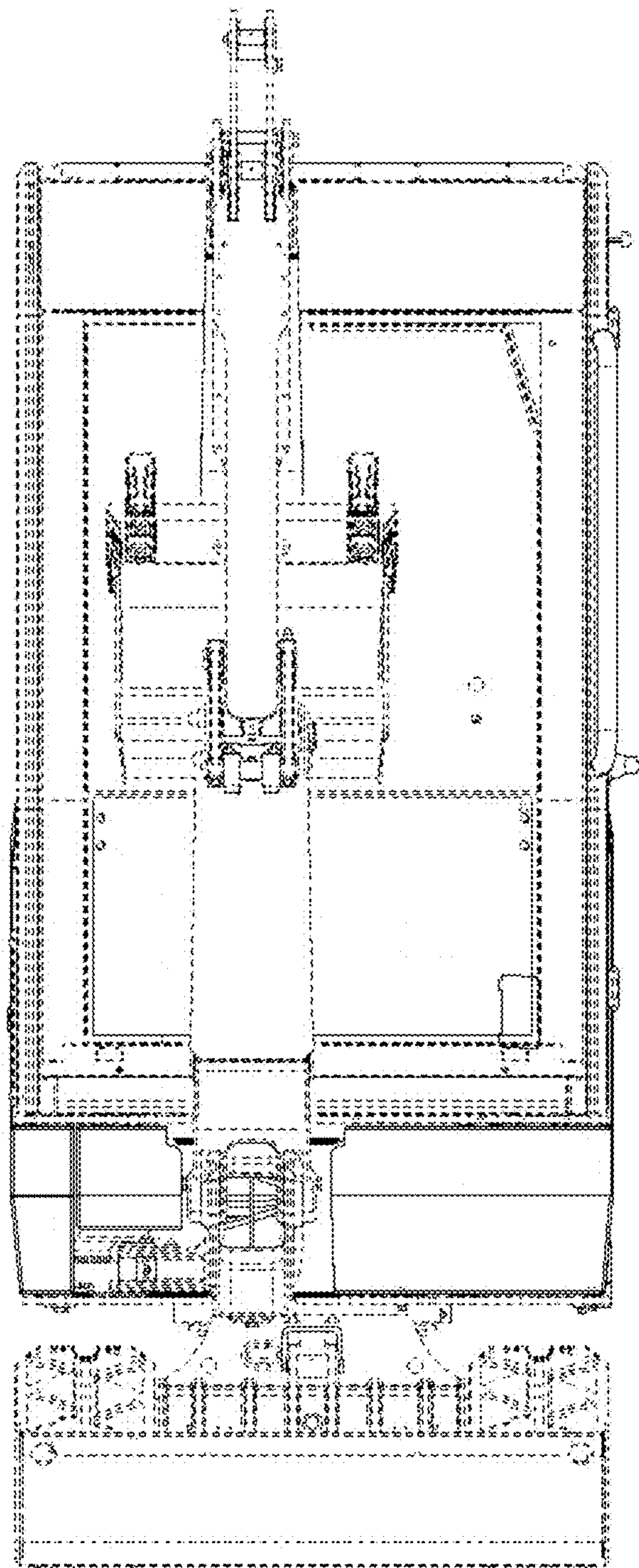


Fig. 4

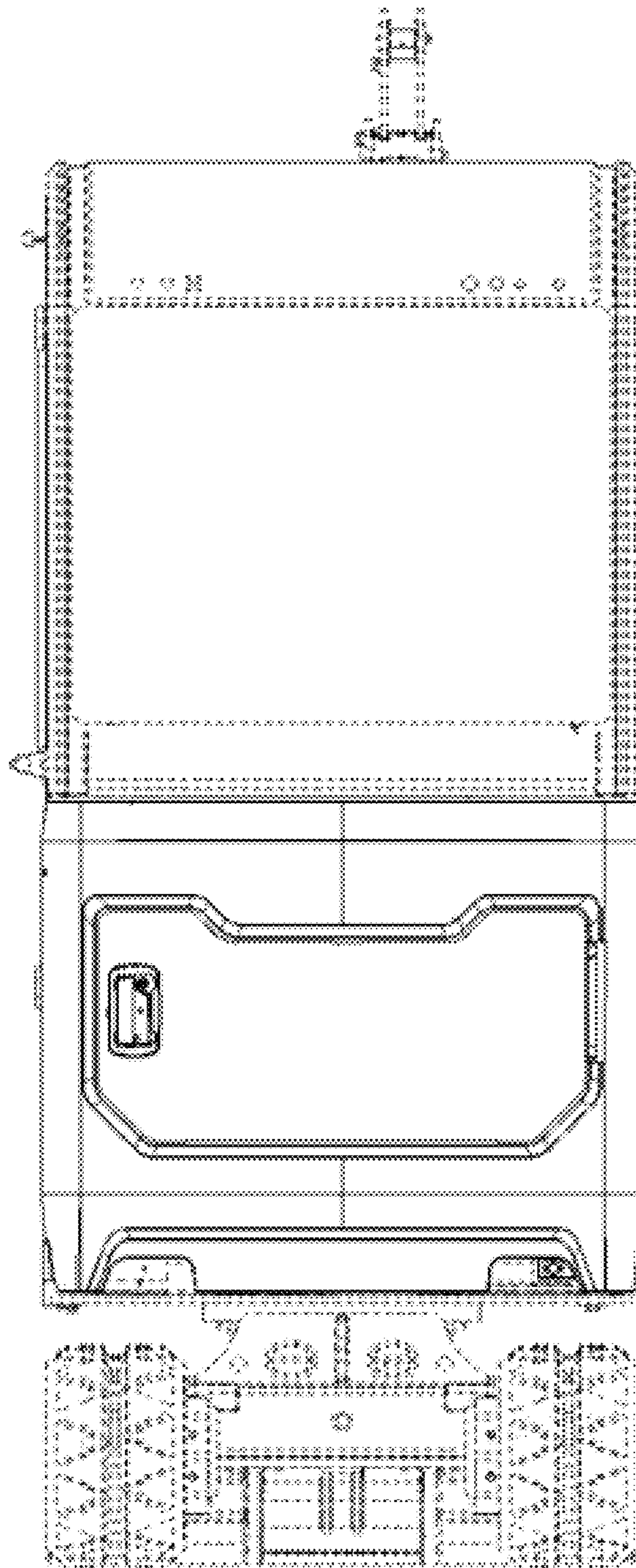


Fig. 5

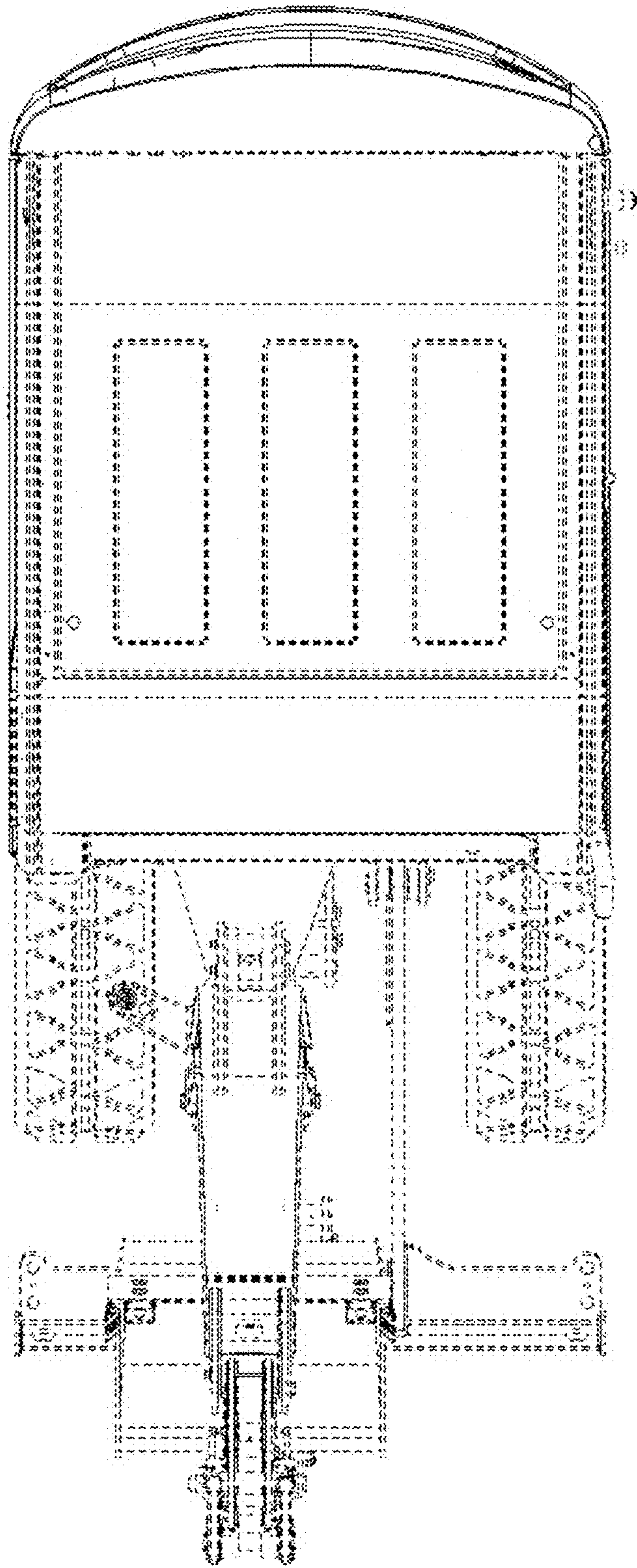


Fig. 6

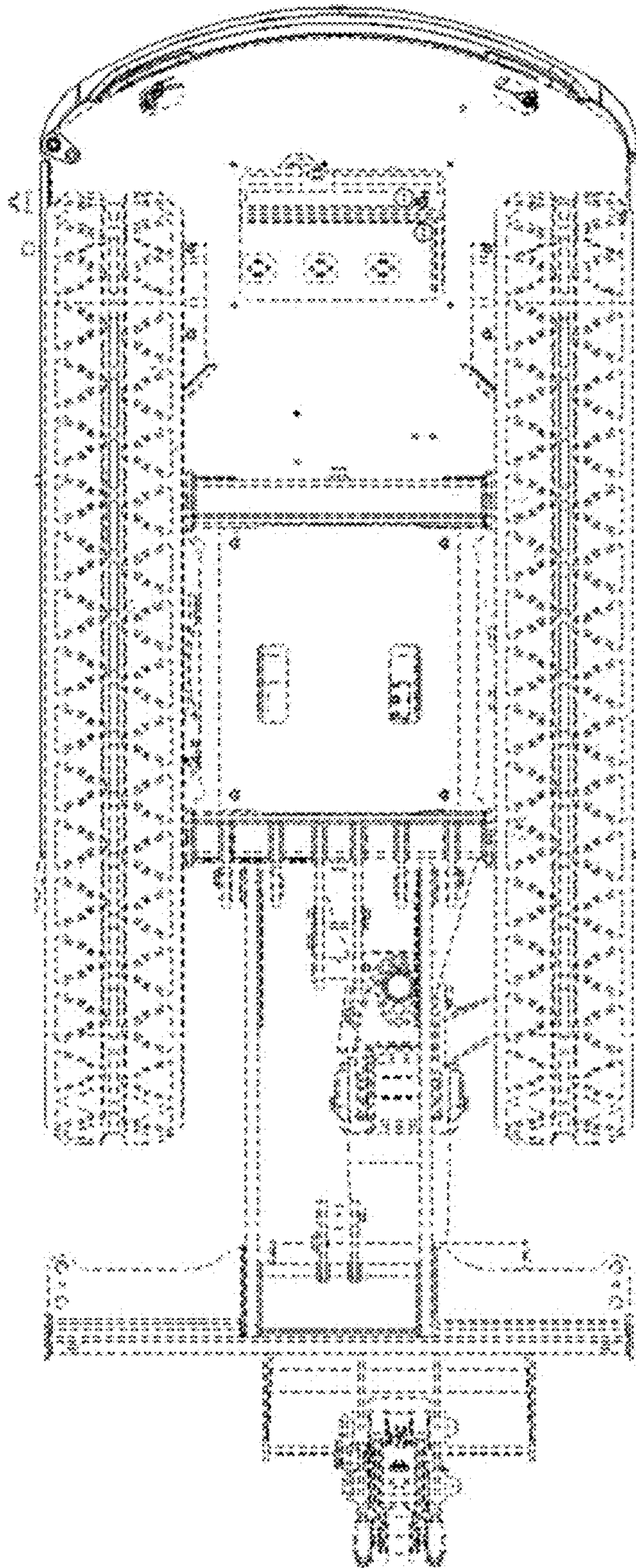


Fig. 7